



US00D810859S

(12) **United States Design Patent**
Lu et al.

(10) **Patent No.:** **US D810,859 S**
(45) **Date of Patent:** **** Feb. 20, 2018**

- (54) **WATER FILTER**
- (71) Applicant: **Glacier Fresh Corp.**, Paterson, NJ (US)
- (72) Inventors: **Qiang Lu**, Ningbo (CN); **Xijin Wu**, Dongyang (CN); **Fevzi Arif**, Paterson, NJ (US)
- (73) Assignee: **Glacier Fresh Corp.**, Paterson, NJ (US)
- (**) Term: **15 Years**
- (21) Appl. No.: **29/565,951**
- (22) Filed: **May 25, 2016**
- (51) **LOC (11) Cl.** **23-01**
- (52) **U.S. Cl.**
USPC **D23/209**
- (58) **Field of Classification Search**
USPC D23/207, 209; 215/384; D7/316, 318, D7/319, 397, 612, 629
CPC B01D 35/30; B01D 35/153; B01D 29/111; B01D 29/58; C02F 1/003; B65D 23/102
See application file for complete search history.

- 6,257,417 B1 * 7/2001 Szumera B01D 35/30 210/443
- 7,387,726 B2 * 6/2008 Wolf B01D 29/055 210/232
- 8,216,463 B1 * 7/2012 Baird B01D 35/30 210/232
- 9,555,347 B2 * 1/2017 Tucker B01D 29/111

* cited by examiner

Primary Examiner — Robin V Webster
(74) *Attorney, Agent, or Firm* — Kaplan Breyer Schwarz, LLP

(57) **CLAIM**

The ornamental design for a water filter, as shown and described.

DESCRIPTION

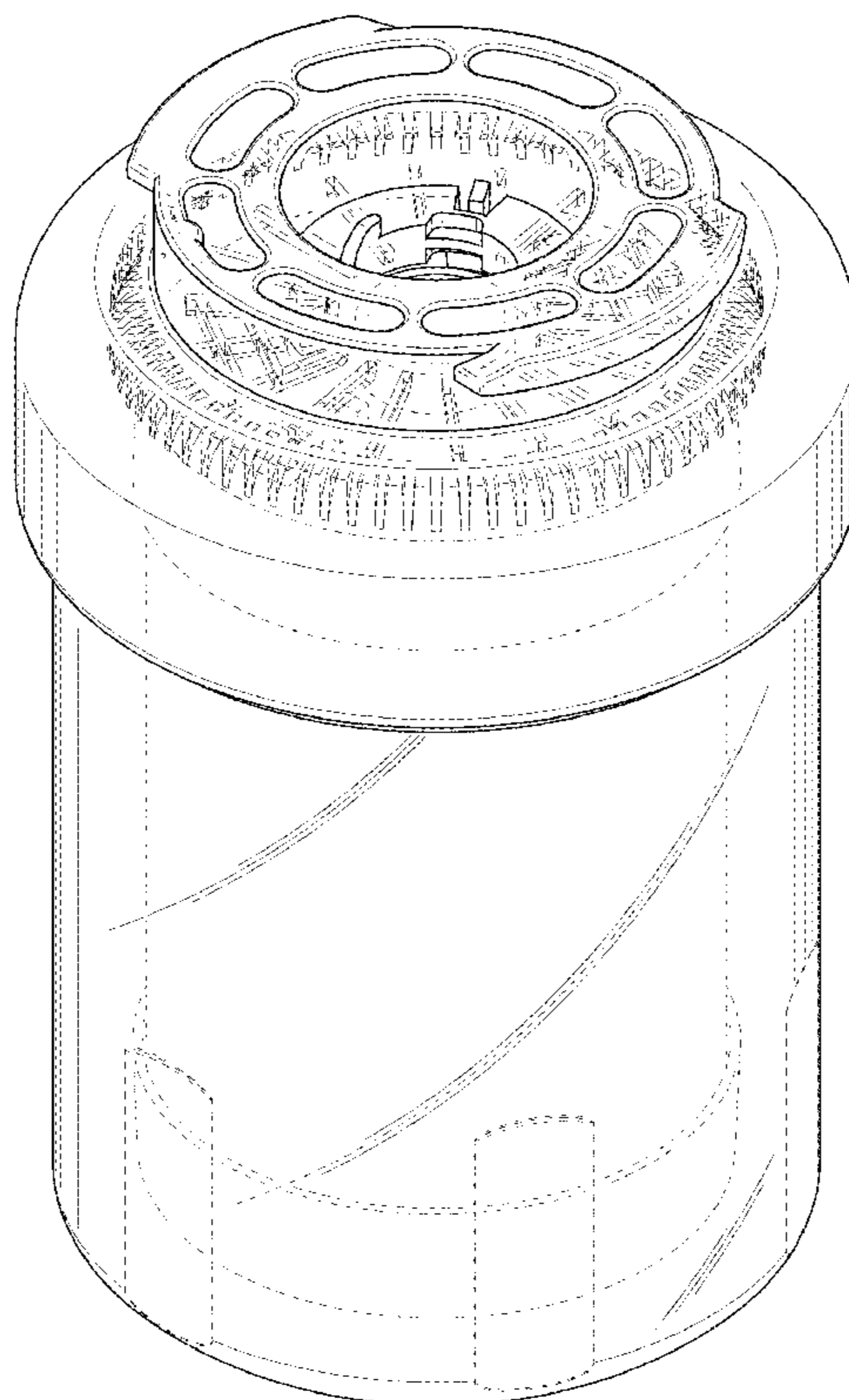
FIG. 1 is a top front isometric view of a water filter showing the new design;
FIG. 2 is a bottom front isometric view thereof;
FIG. 3 is a front elevational view thereof;
FIG. 4 is a rear elevational view thereof;
FIG. 5 is a left elevational view thereof;
FIG. 6 is a right elevational view thereof;
FIG. 7 is a top plan view thereof; and,
FIG. 8 is a bottom plan view thereof.
The portions shown in the figures in broken lines do not constitute part of the claimed design.

(56) **References Cited**

U.S. PATENT DOCUMENTS

- 3,912,633 A * 10/1975 Delaney B01D 27/08 210/167.02
- D346,640 S * 5/1994 Kim D23/209

1 Claim, 8 Drawing Sheets



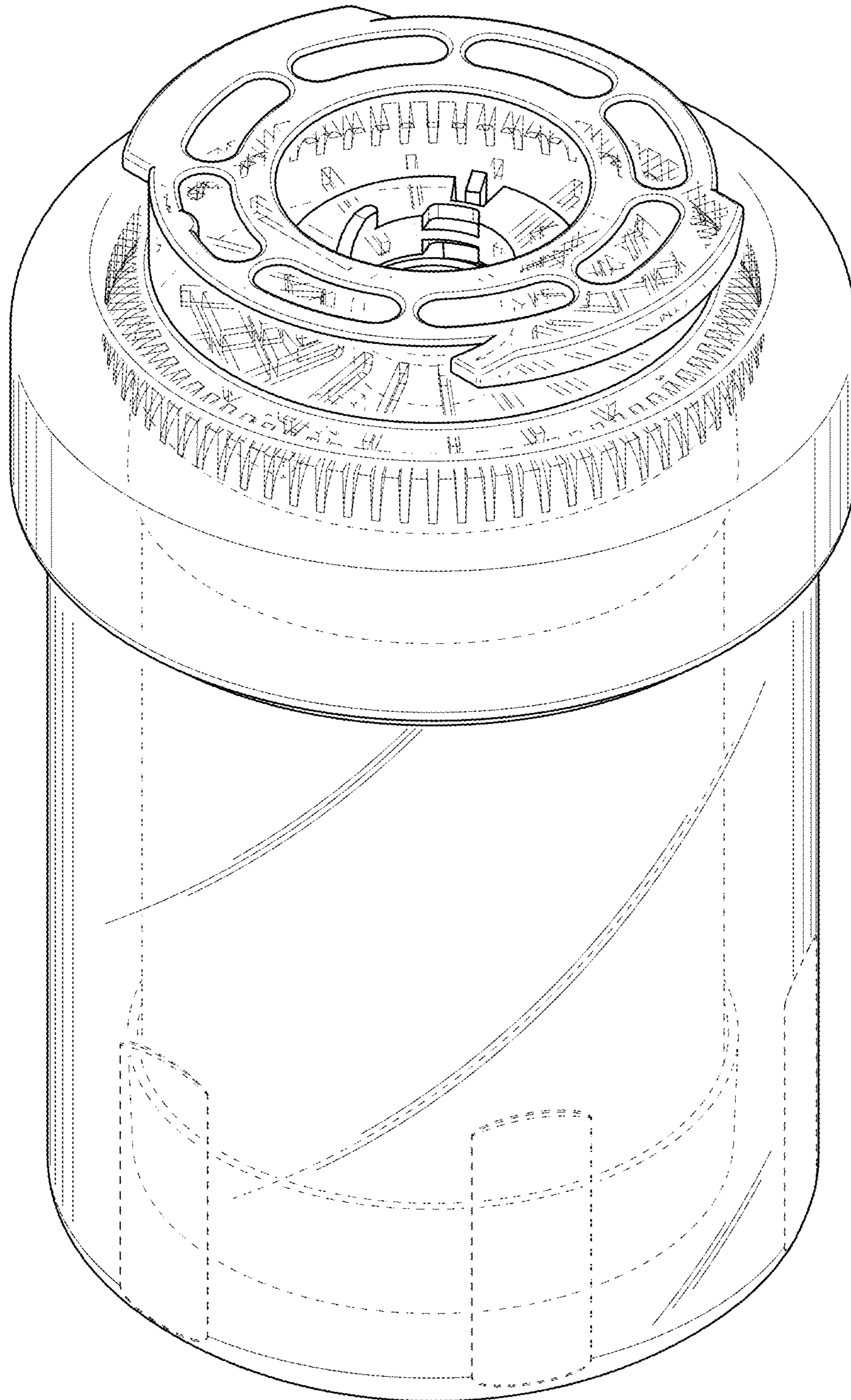


FIG. 1

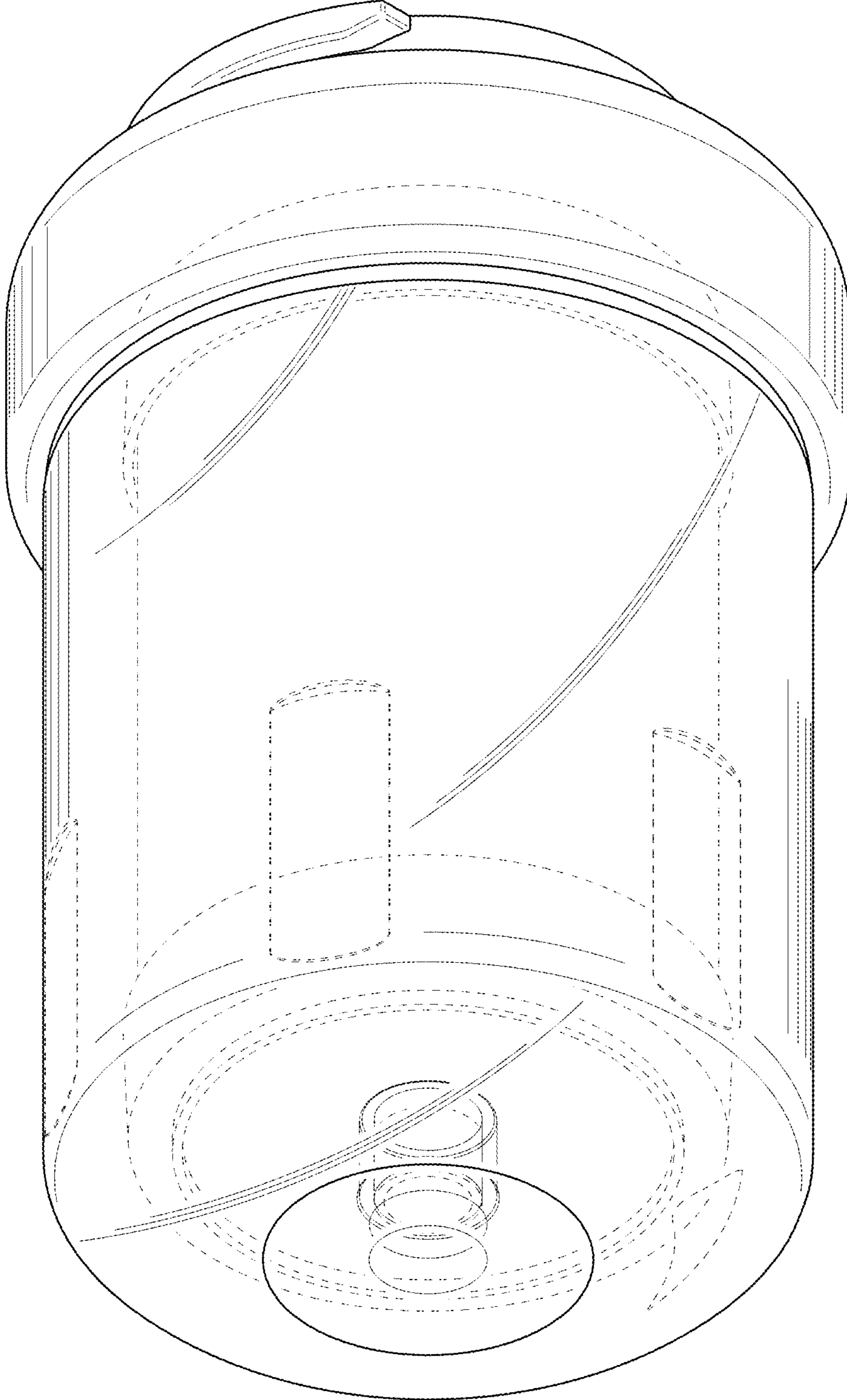


FIG. 2

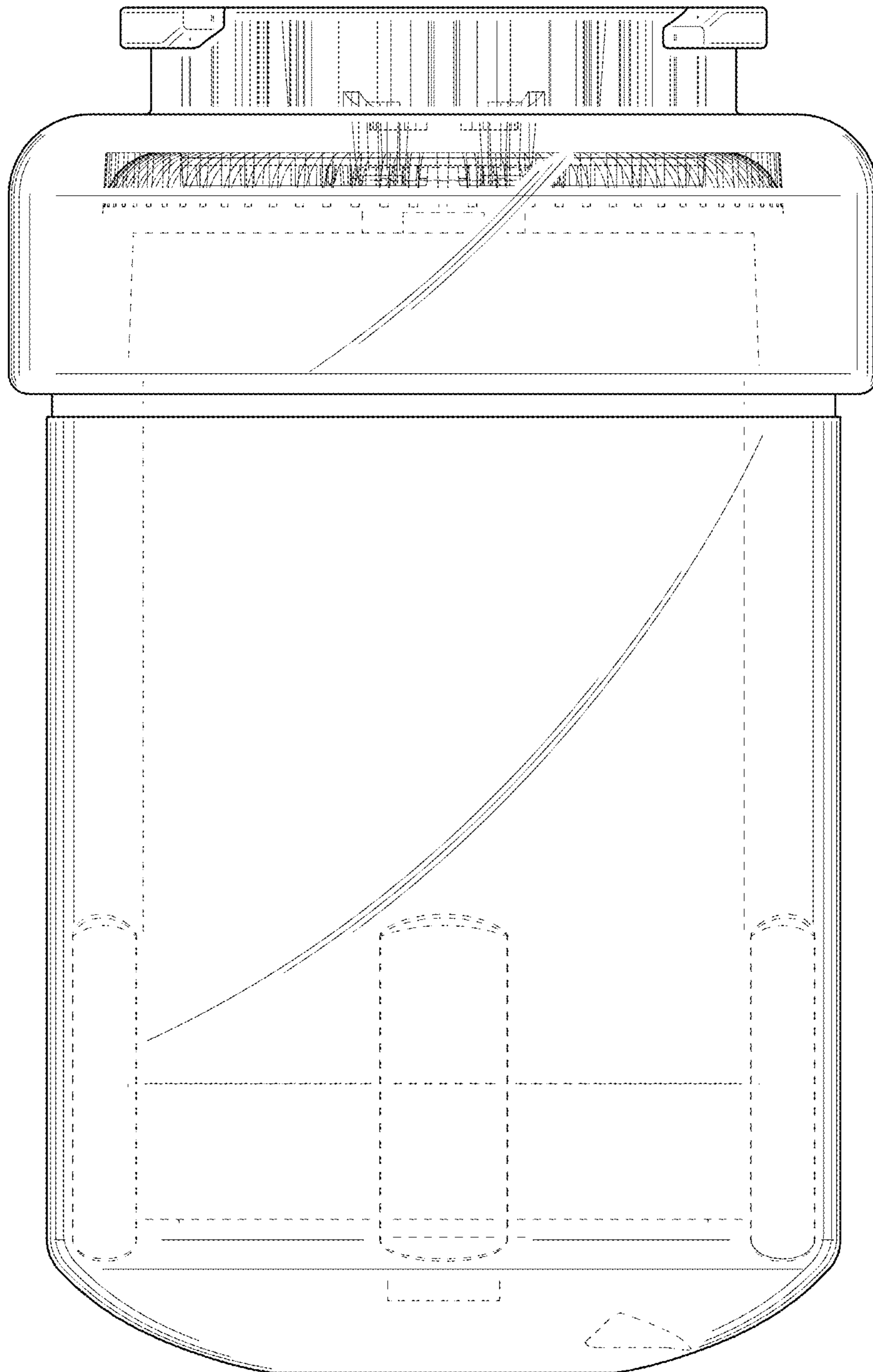


FIG. 3

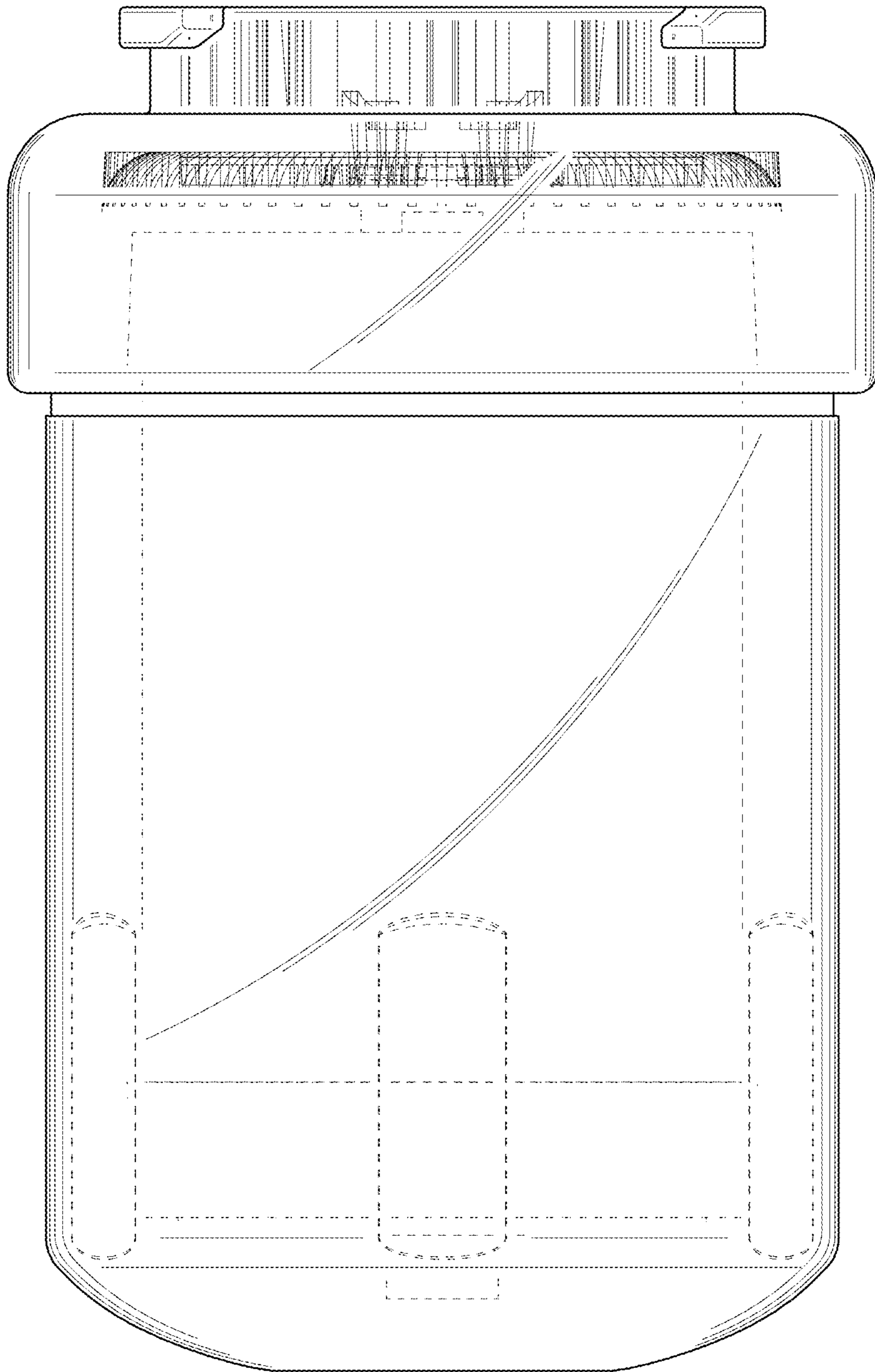


FIG. 4

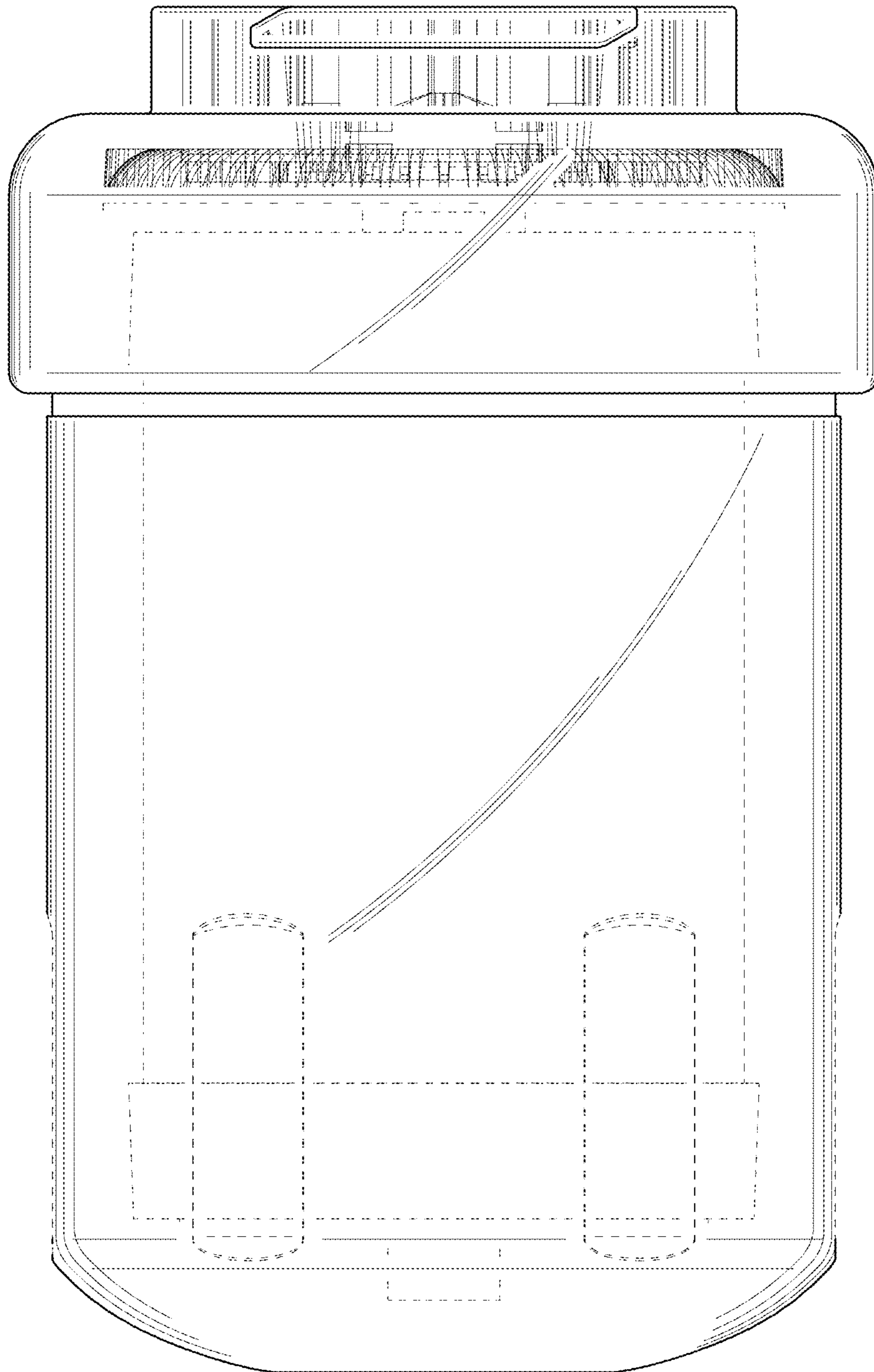


FIG. 5

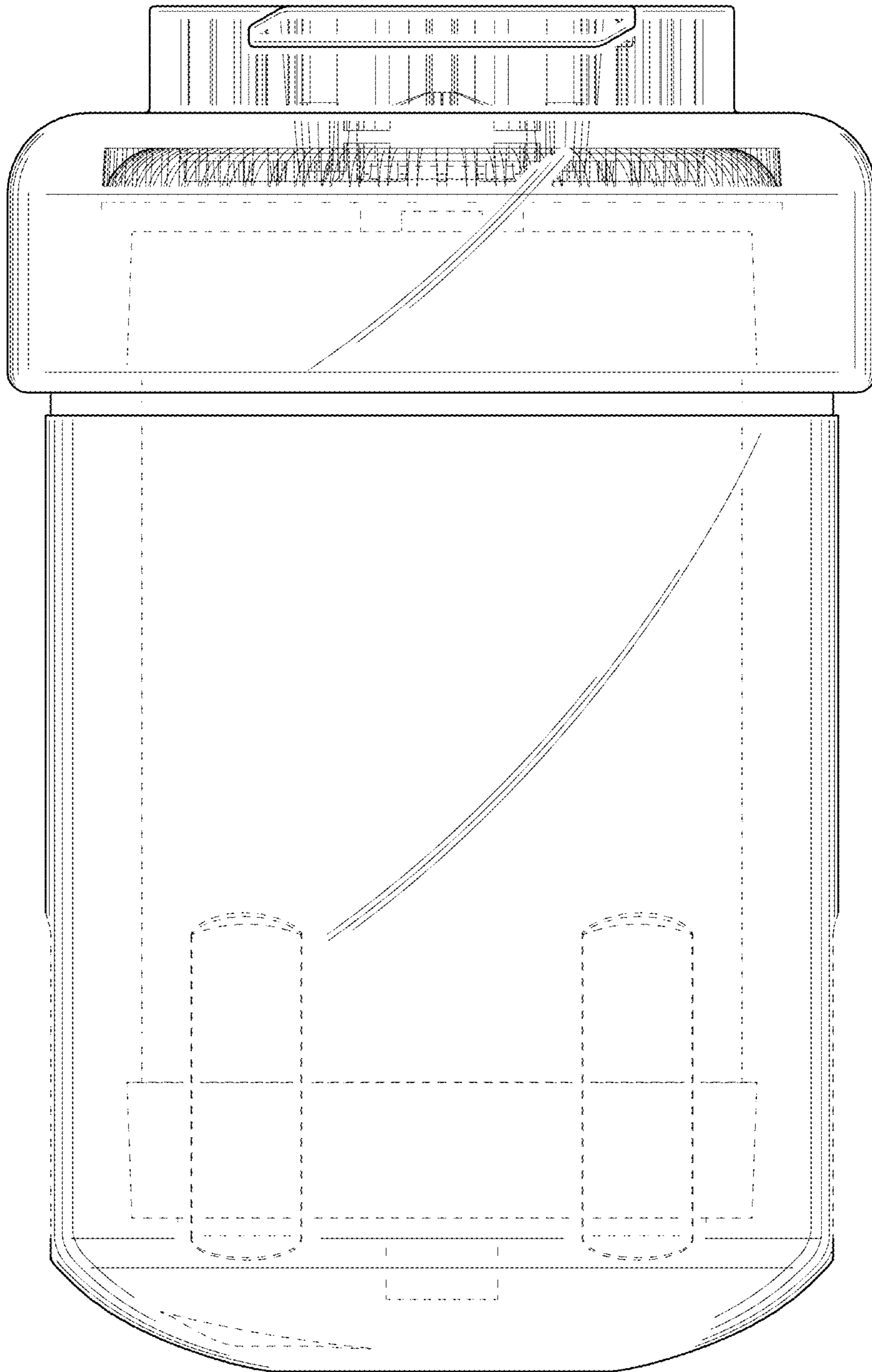


FIG. 6

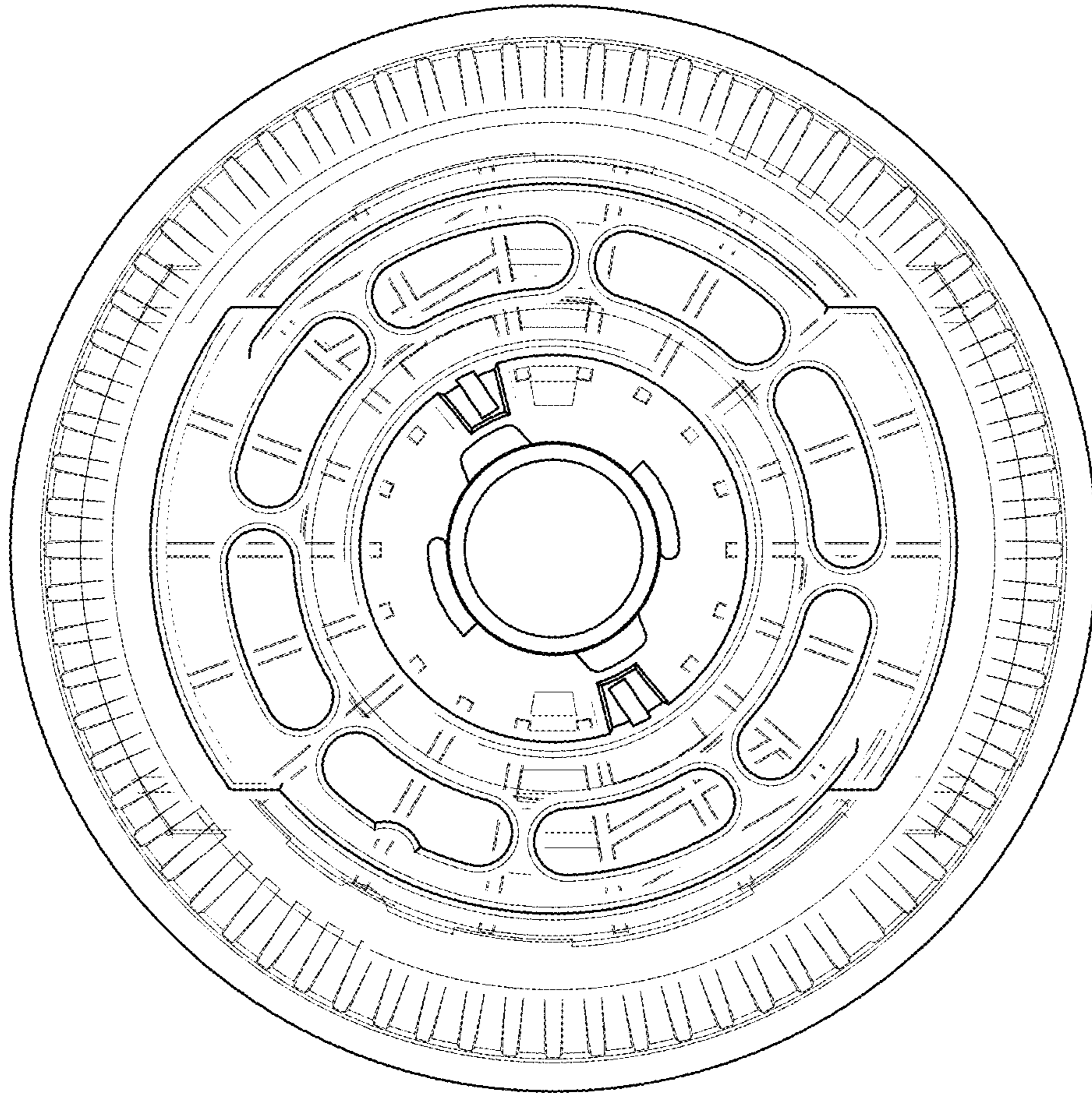


FIG. 7

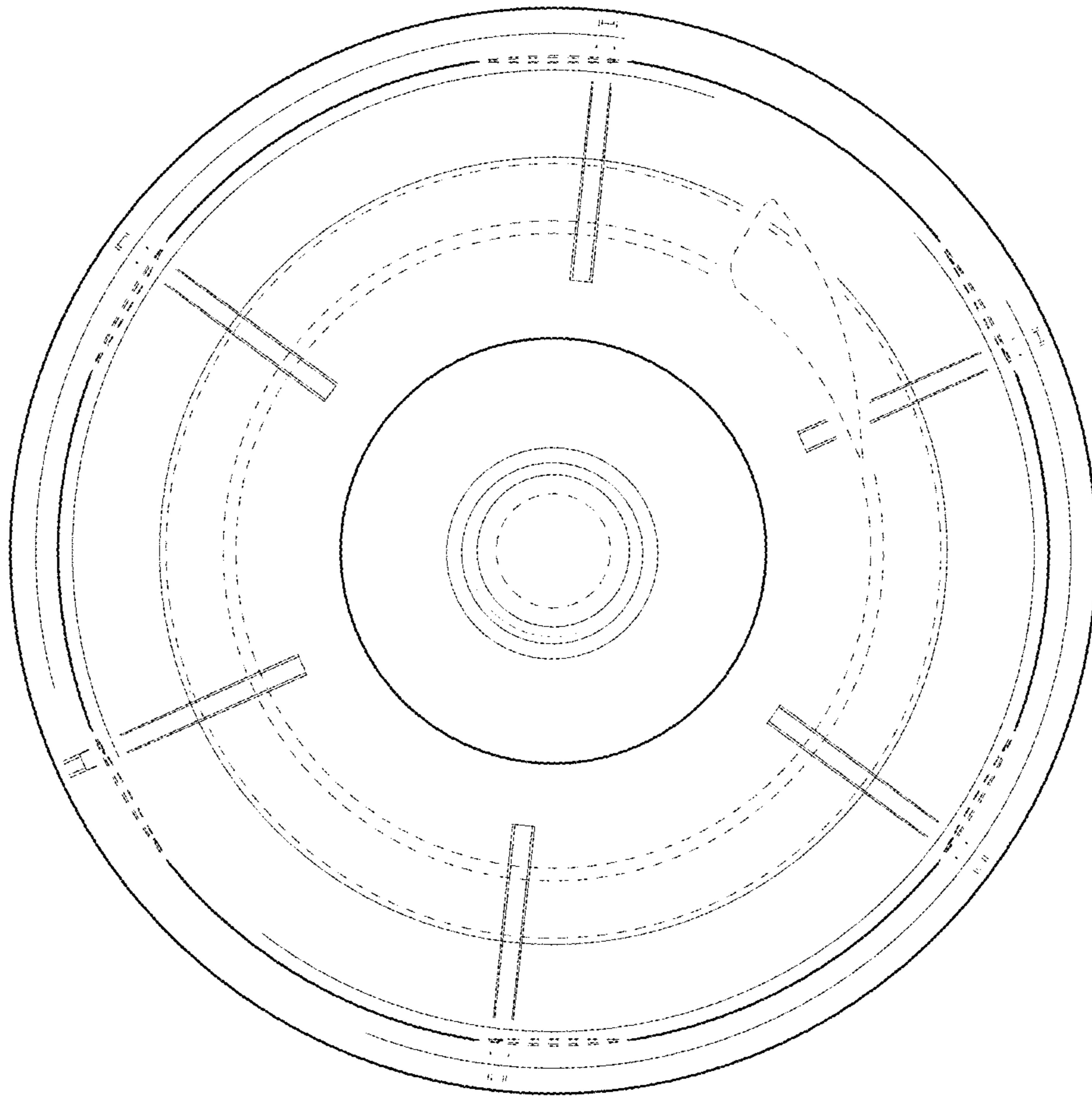


FIG. 8