



US00D810857S

(12) **United States Design Patent**
Zarraonandia

(10) **Patent No.:** **US D810,857 S**
(45) **Date of Patent:** **** Feb. 20, 2018**

(54) **CELL FOR WATER MANAGEMENT SYSTEM**

(71) Applicant: **Pre-Con Products**, Simi Valley, CA
(US)

(72) Inventor: **David Zarraonandia**, Thousand Oaks,
CA (US)

(73) Assignee: **Pre-Con Products**, Simi Valley, CA
(US)

(**) Term: **15 Years**

(21) Appl. No.: **29/584,667**

(22) Filed: **Nov. 16, 2016**

(51) **LOC (11) Cl.** **23-01**

(52) **U.S. Cl.**
USPC **D23/206; D23/200**

(58) **Field of Classification Search**
USPC D23/200, 203, 206; D25/36; 405/36,
405/126

CPC E02B 11/005; E01F 5/005; E03F 1/002;
E03F 1/003; E03F 1/005

See application file for complete search history.

(56) **References Cited**

U.S. PATENT DOCUMENTS

- 3,360,752 A * 12/1967 Uptegraff, Jr. H01F 27/022
174/16.1
- 3,519,726 A * 7/1970 Ewing H01F 27/06
138/159
- 5,810,510 A * 9/1998 Urriola E02B 11/005
137/236.1

- 6,152,650 A * 11/2000 Heine E02B 13/00
210/170.08
- 7,163,635 B2 * 1/2007 Fitzgerald E03F 1/00
210/162
- 7,677,835 B2 * 3/2010 Oscar B65D 88/022
405/36
- 7,798,747 B1 * 9/2010 de Bruijn E03F 1/003
405/125
- 8,770,890 B2 * 7/2014 May E03F 1/002
405/126

* cited by examiner

Primary Examiner — Robin V Webster

(74) *Attorney, Agent, or Firm* — Thompson Coburn LLP;
Alan H. Norman

(57) **CLAIM**

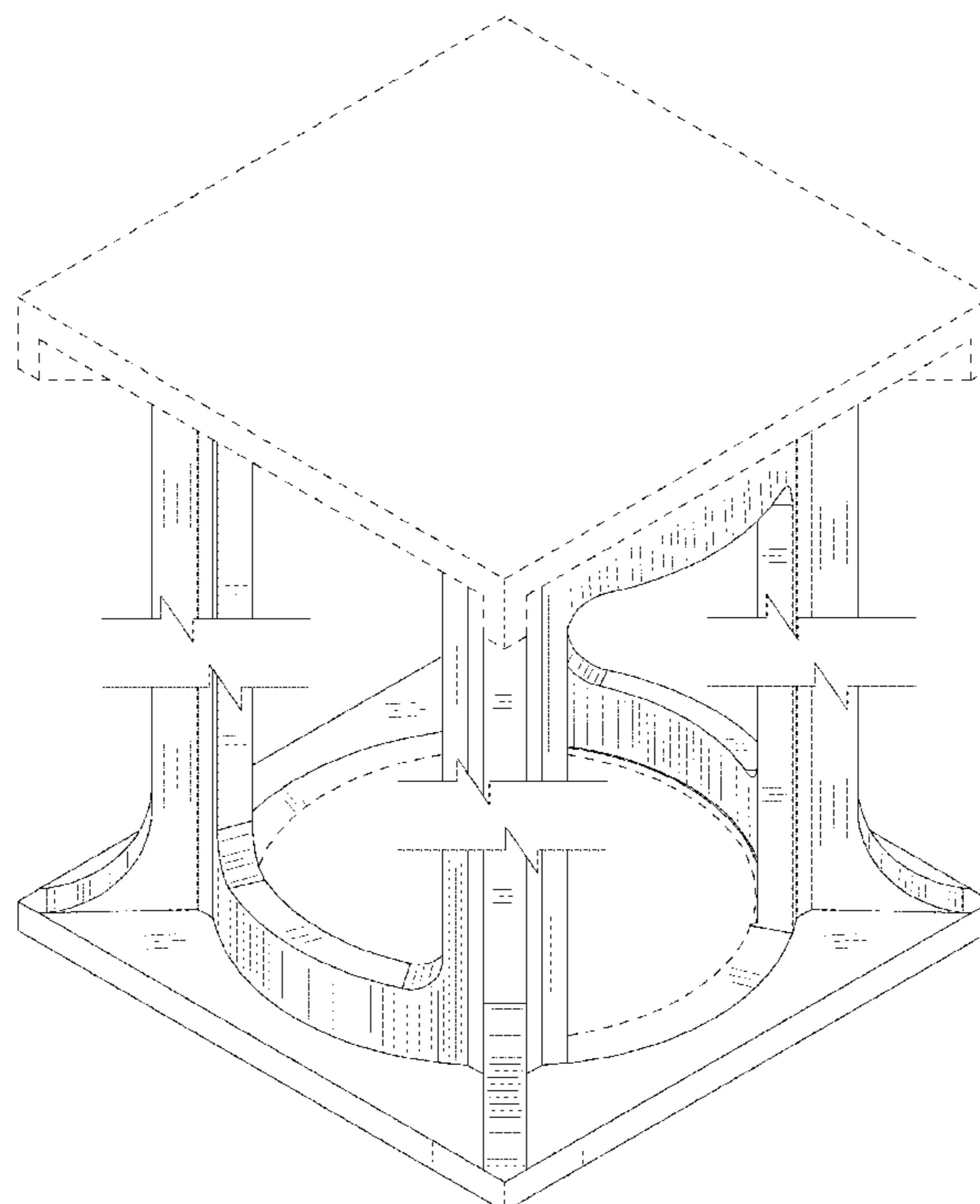
The ornamental design for a cell for water management system, as shown and described.

DESCRIPTION

FIG. 1 is a left-front perspective view of a cell for water management system showing the new design;
 FIG. 2 is a top view thereof;
 FIG. 3 is a bottom view thereof;
 FIG. 4 is a front elevation view thereof;
 FIG. 5 is a right elevation view thereof;
 FIG. 6 is a rear elevation view thereof; and,
 FIG. 7 is a left elevation view thereof.

The broken lines immediately adjacent the shaded areas represent the bounds of the claimed design while all other broken lines are directed to environment; broken lines form no part of the claimed design. The precise length between the breaklines in the drawings is not being claimed.

1 Claim, 7 Drawing Sheets



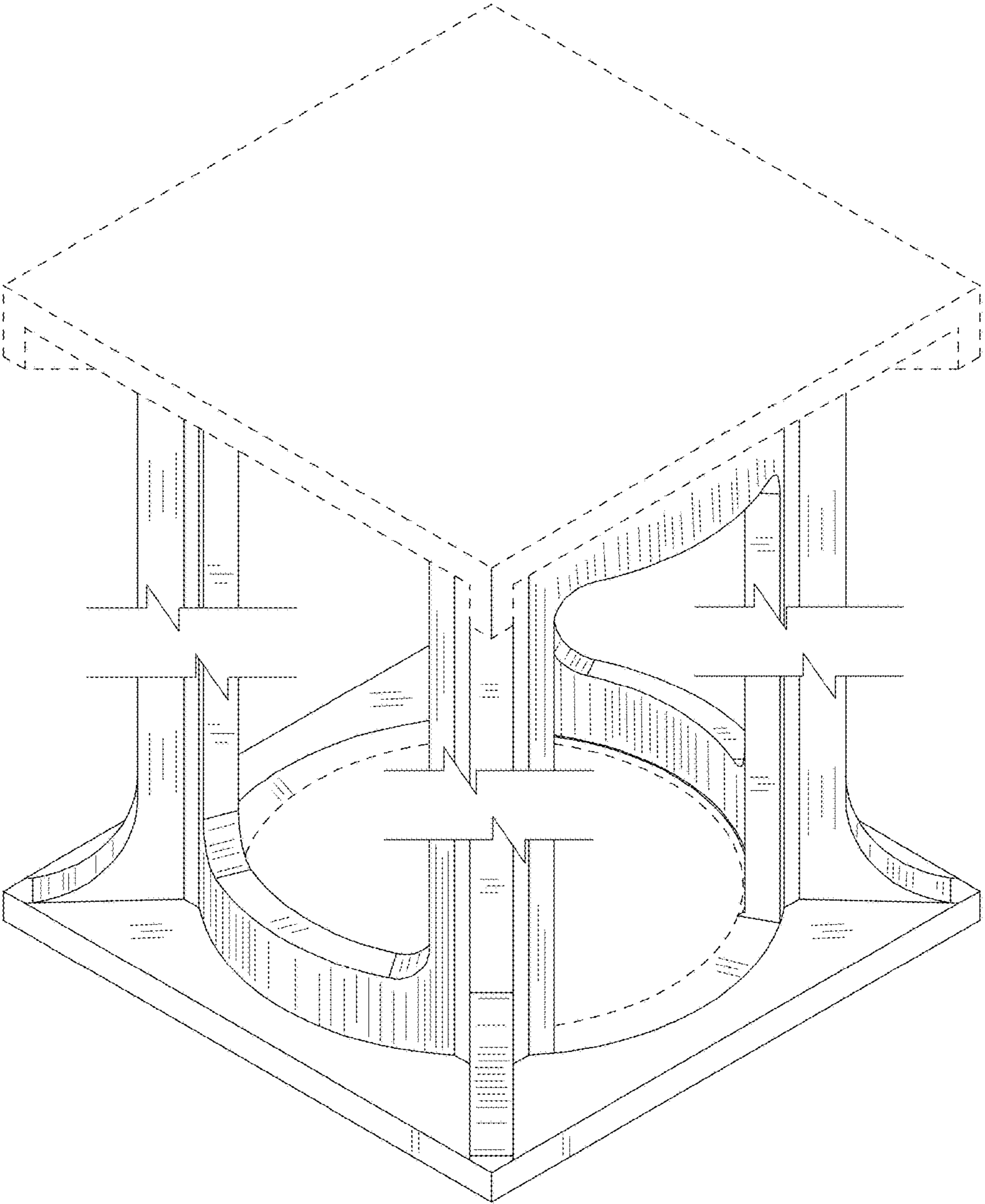


FIGURE 1



FIGURE 2

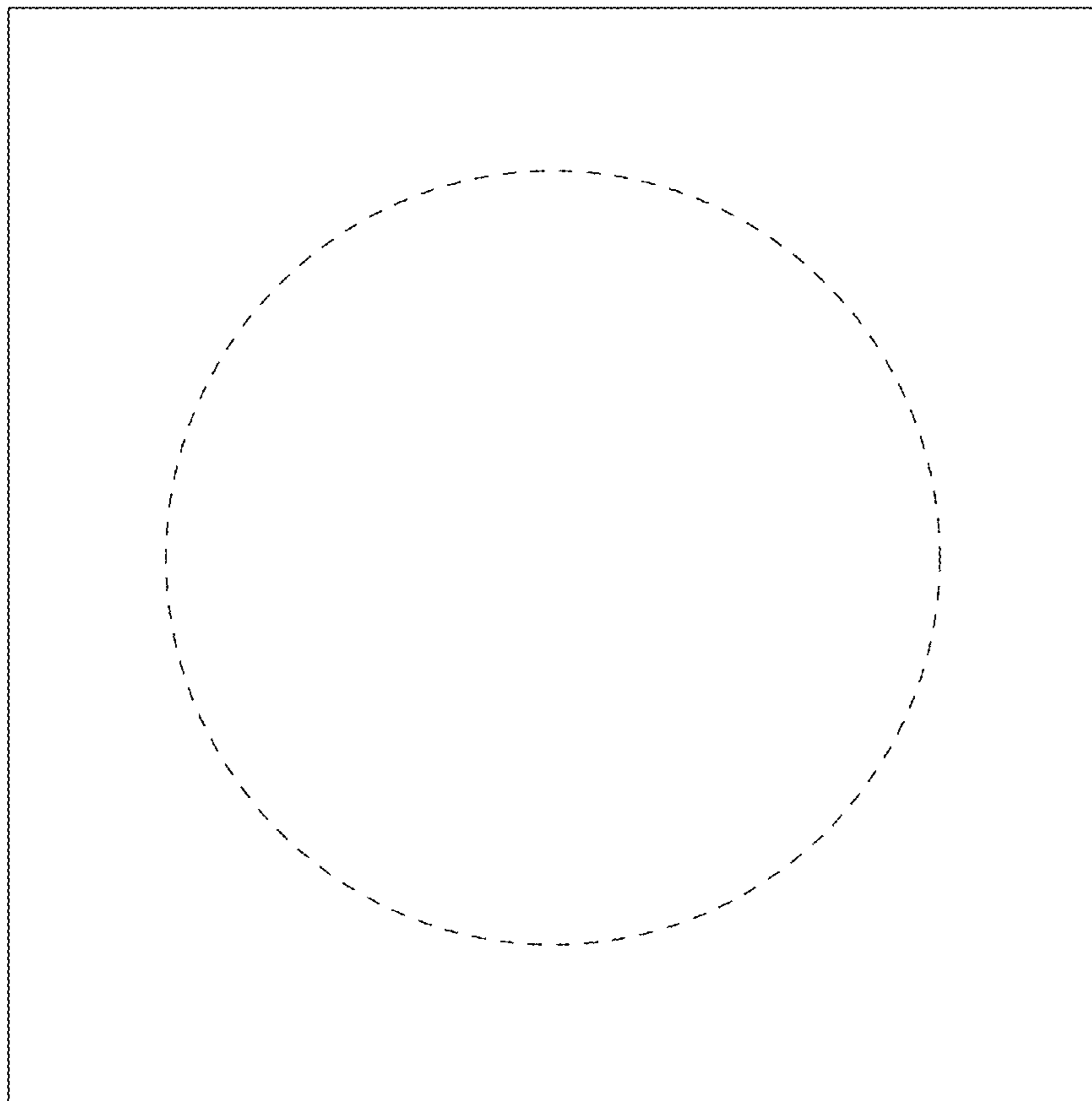


FIGURE 3

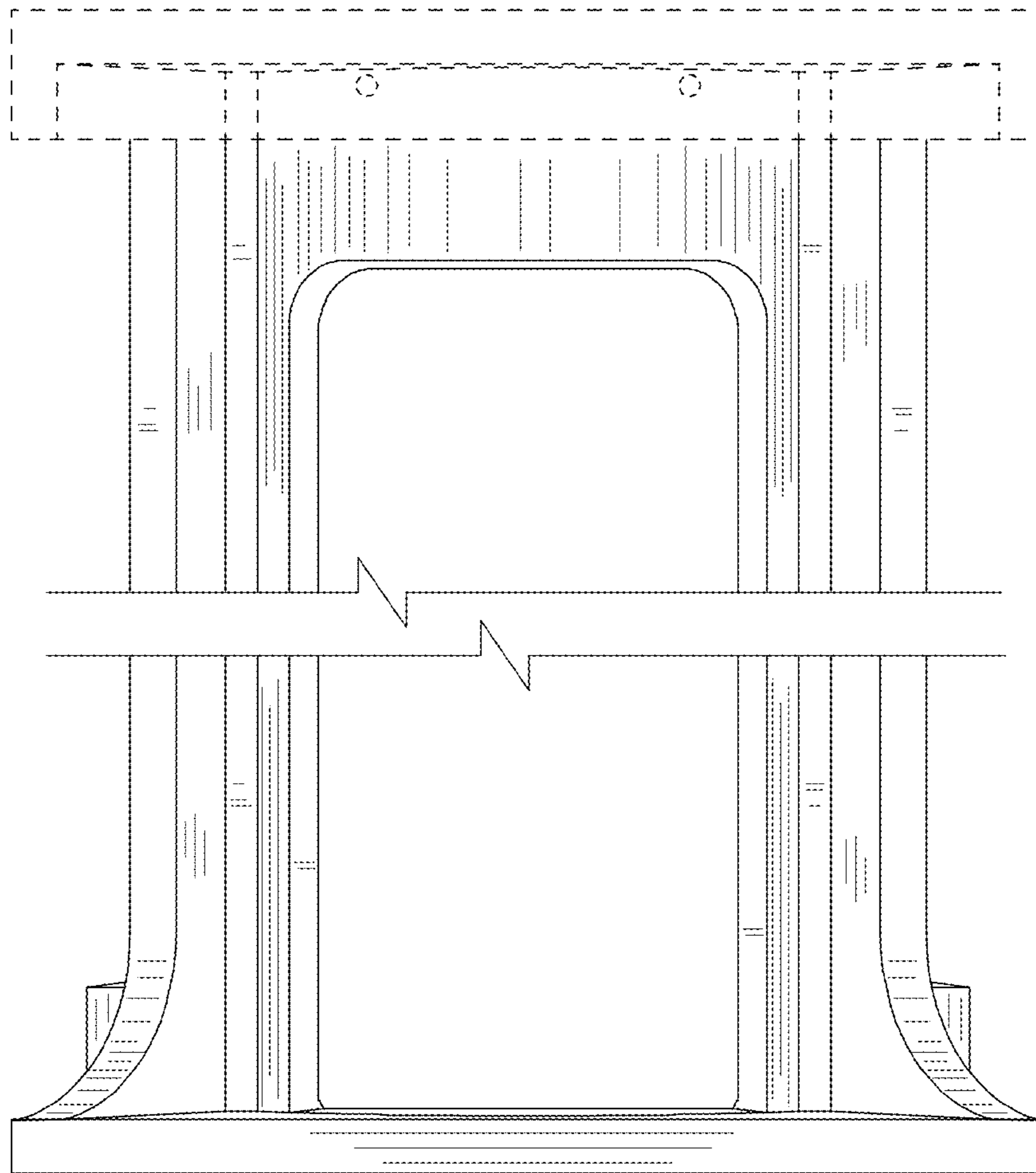


FIGURE 4

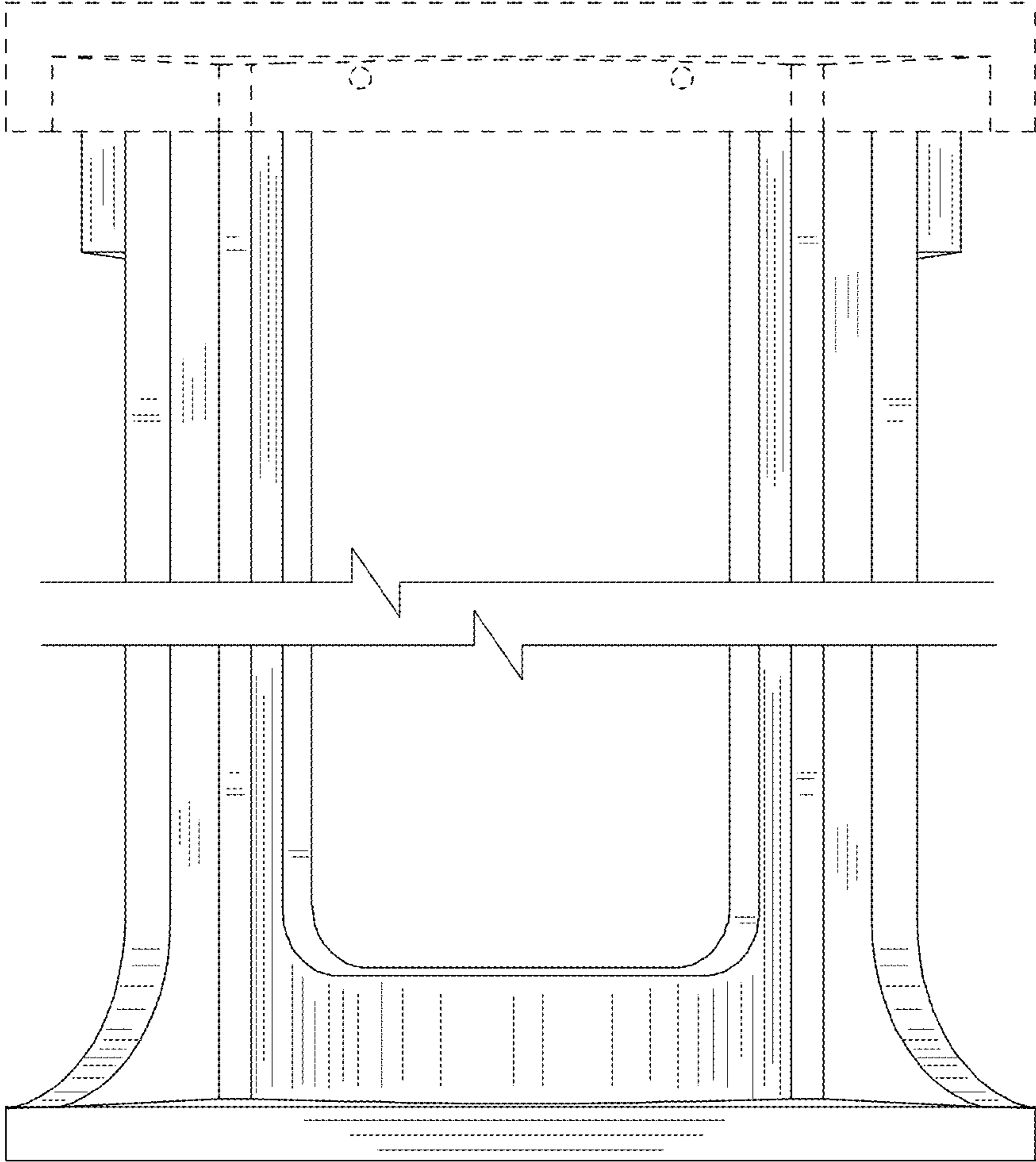


FIGURE 5

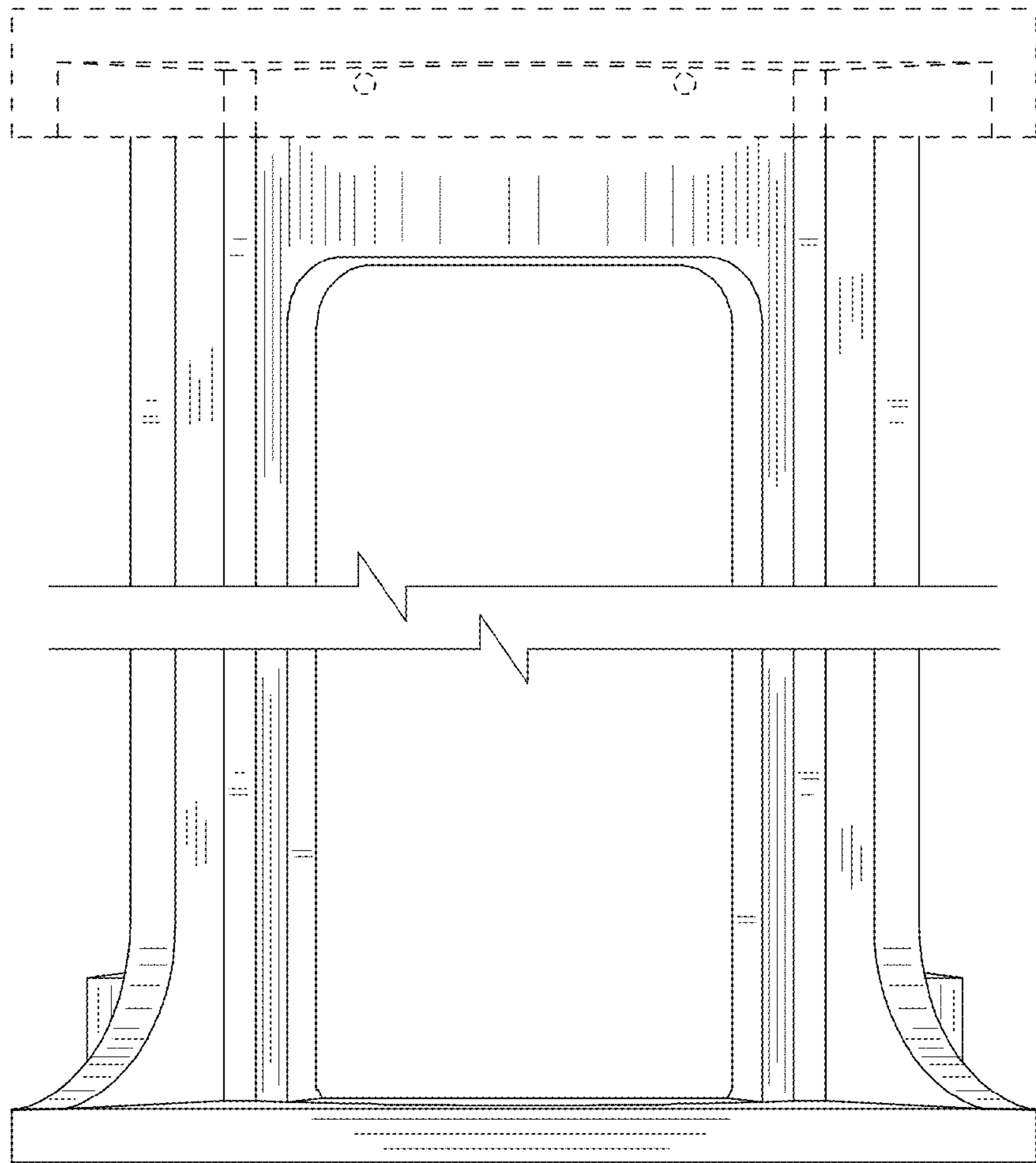


FIGURE 6

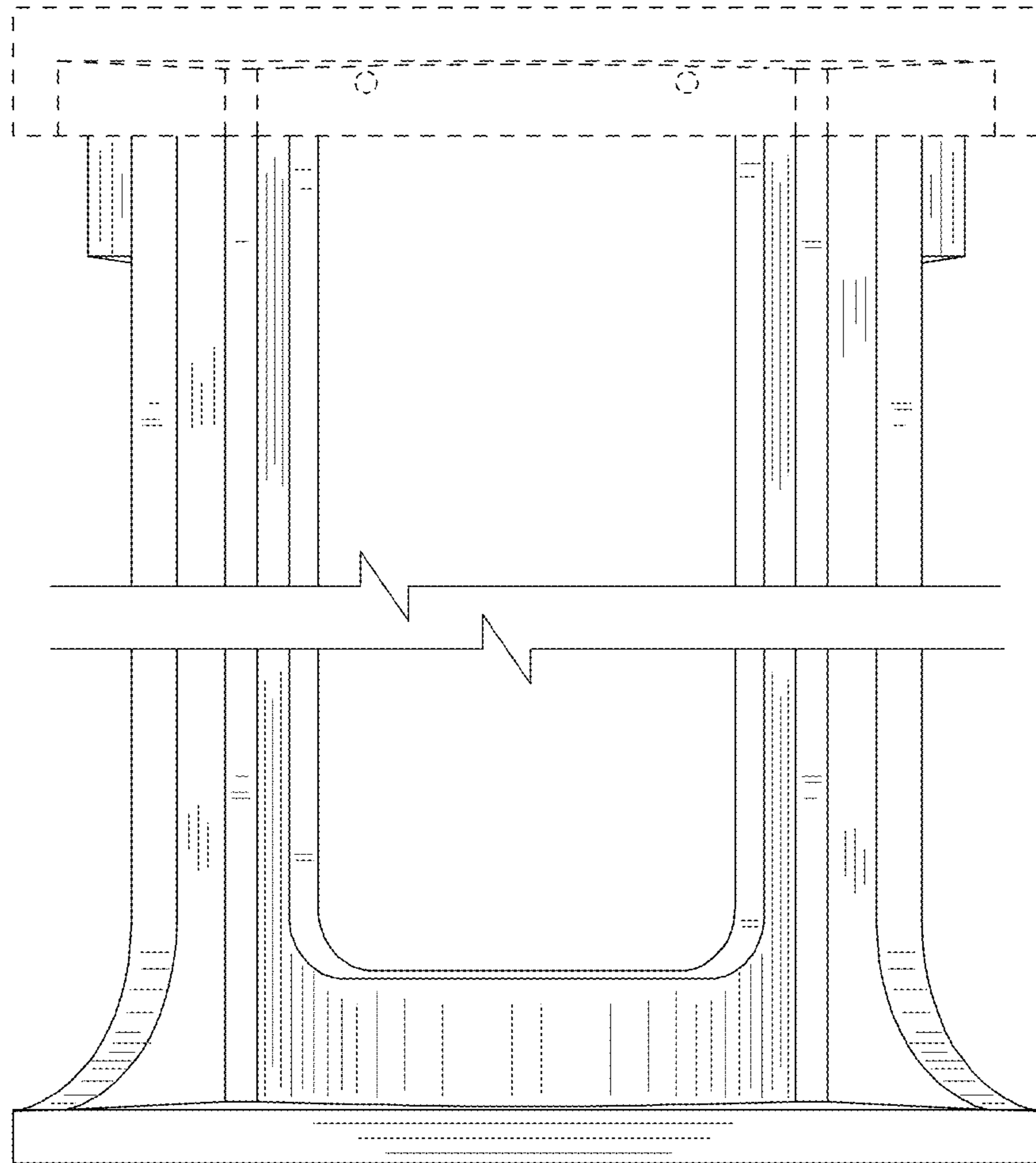


FIGURE 7