



US00D810855S

(12) **United States Design Patent**
Dunbar

(10) **Patent No.:** **US D810,855 S**

(45) **Date of Patent:** **** Feb. 20, 2018**

(54) **FISHING LURE**

(71) Applicant: **John Michael Dunbar**, Baker, LA (US)

(72) Inventor: **John Michael Dunbar**, Baker, LA (US)

(**) Term: **15 Years**

(21) Appl. No.: **29/587,131**

(22) Filed: **Dec. 9, 2016**

(51) **LOC (11) Cl.** **22-05**

(52) **U.S. Cl.**
USPC **D22/129**

(58) **Field of Classification Search**
USPC D22/126-133; 43/42.06, 42.13, 42.14,
43/44.91, 42.31, 42.2, 42.11, 42.09

CPC A01K 85/00; A01K 85/01; A01K 85/10;
A01K 91/053; A01K 93/00; A01K 95/00

See application file for complete search history.

6,591,543 B2 7/2003 Sabine
7,360,335 B2 * 4/2008 Edwards A01K 85/00
43/42.13
8,713,848 B2 * 5/2014 Huppert A01K 85/00
43/42.13
8,763,301 B2 * 7/2014 Lau A01K 91/053
43/42.09
D738,988 S * 9/2015 Ingram D22/129
2008/0098641 A1 5/2008 Brewer

* cited by examiner

Primary Examiner — Catherine R Oliver-Garcia

(74) *Attorney, Agent, or Firm* — Jones Walker LLP

(57) **CLAIM**

I claim the ornamental design for a fishing lure, as shown and described.

DESCRIPTION

FIG. 1 is a front, right perspective view of a fishing lure.

FIG. 2 is a front elevational view thereof;

FIG. 3 is a rear elevational view thereof;

FIG. 4 is a right side elevational view thereof;

FIG. 5 is a left side elevational view thereof;

FIG. 6 is a top plan view thereof; and,

FIG. 7 is a bottom plan view thereof.

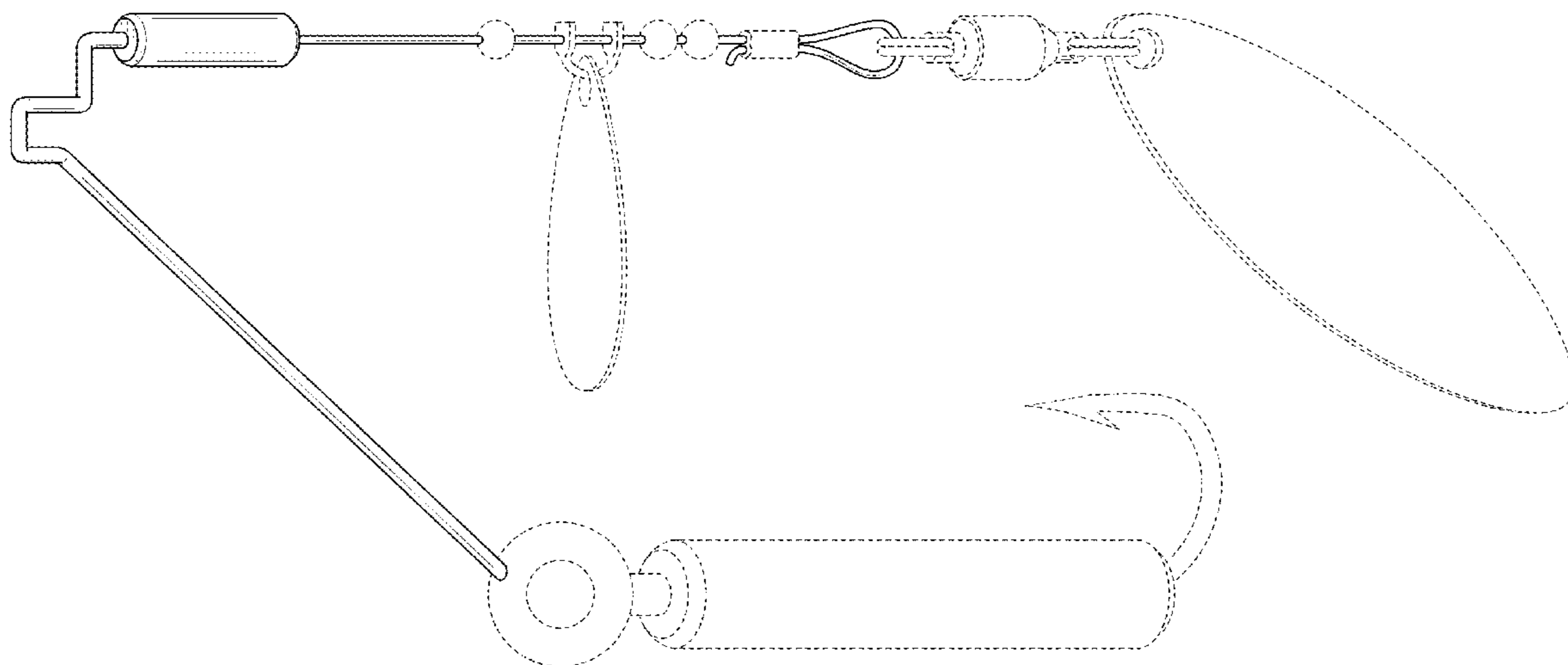
The broken lines depict environment and are included for the purpose of illustrating only and form no part of the claimed design.

1 Claim, 5 Drawing Sheets

(56) **References Cited**

U.S. PATENT DOCUMENTS

D162,741 S	4/1951	Lawhon	
2,885,818 A	5/1959	Frederiksen, Sr.	
2,886,913 A	5/1959	Stanley	
4,718,191 A	1/1988	Gentry	
4,793,089 A	12/1988	Long et al.	
4,823,500 A	4/1989	Shindeldecker	
4,930,247 A *	6/1990	Dubois A01K 85/01 43/42.31
5,505,015 A	4/1996	Delricco	
5,564,218 A	10/1996	Kato	
5,987,805 A	11/1999	Laney	



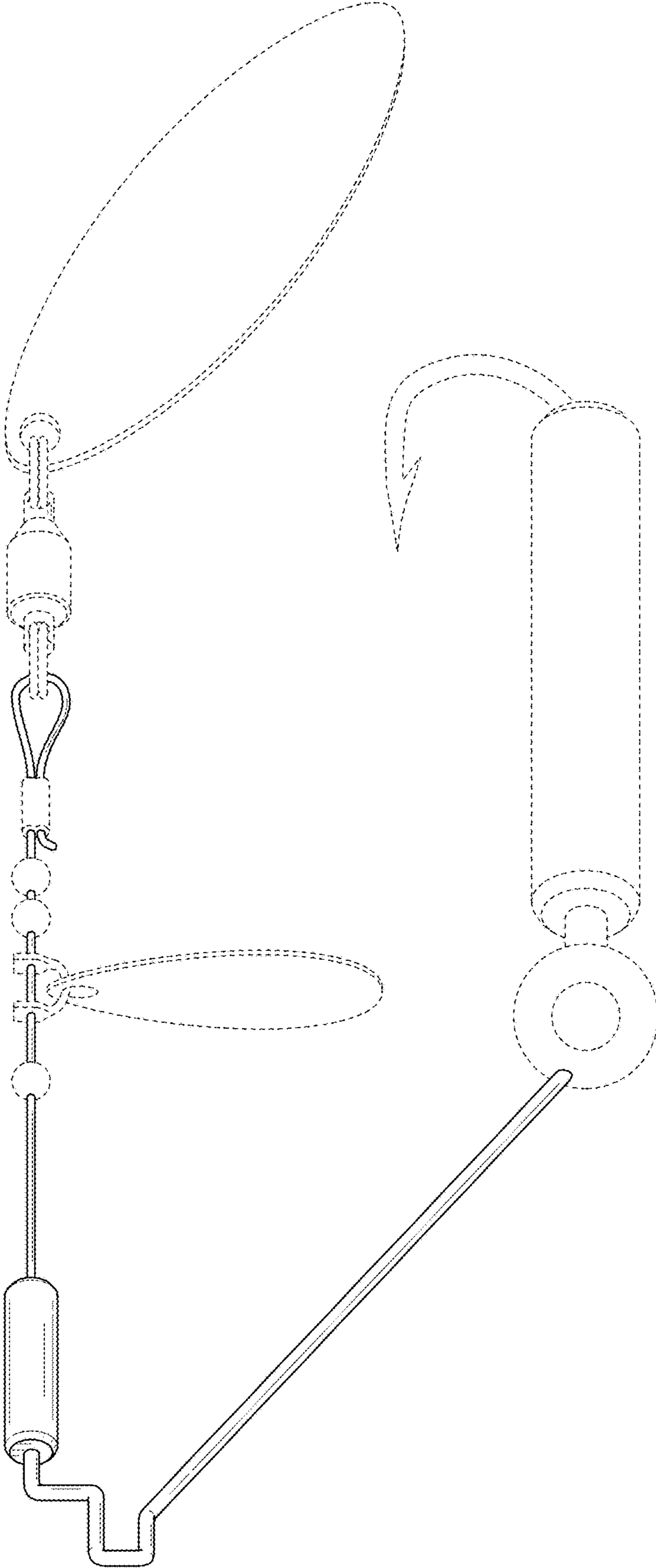


FIG. 1

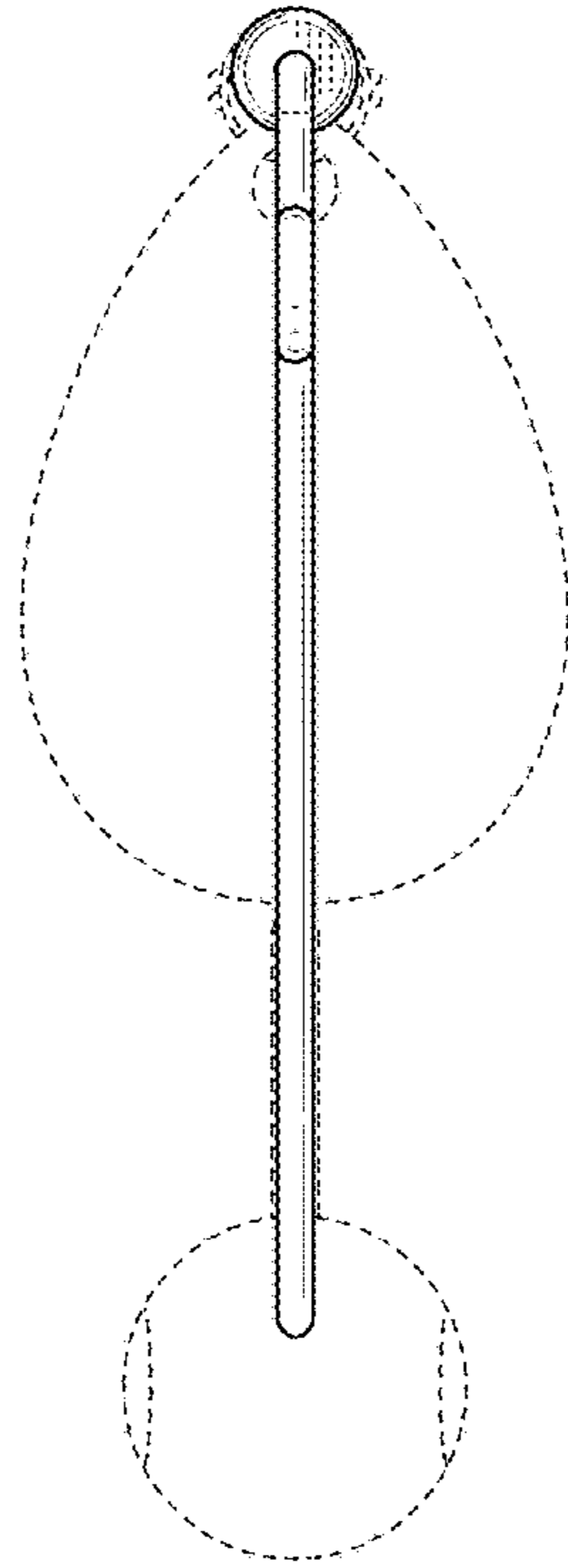


FIG. 2

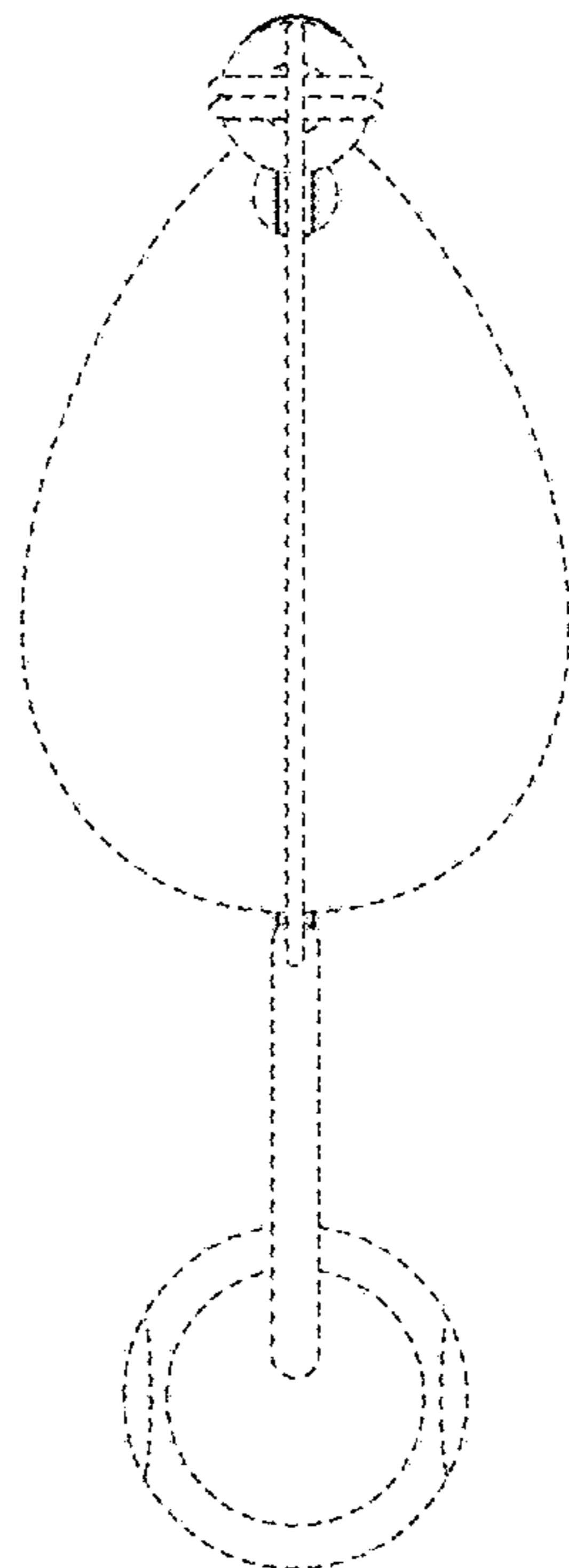


FIG. 3

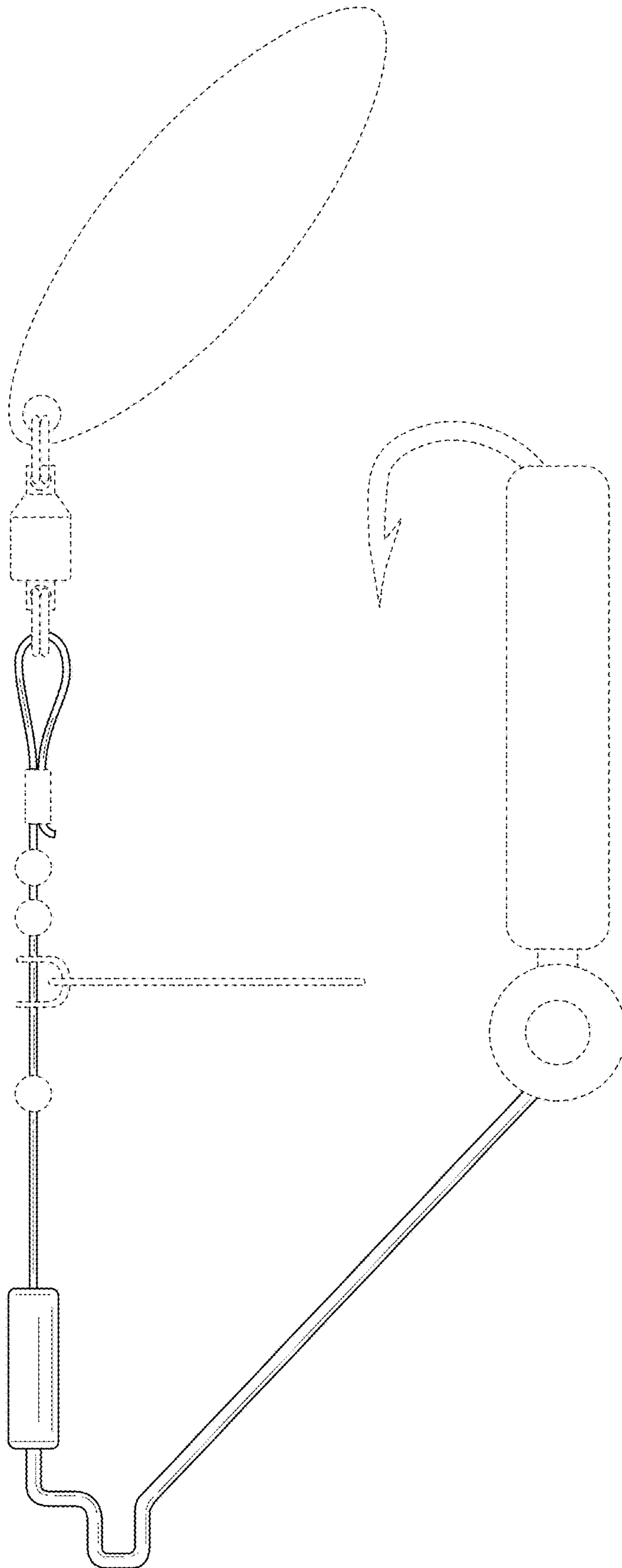


FIG. 4

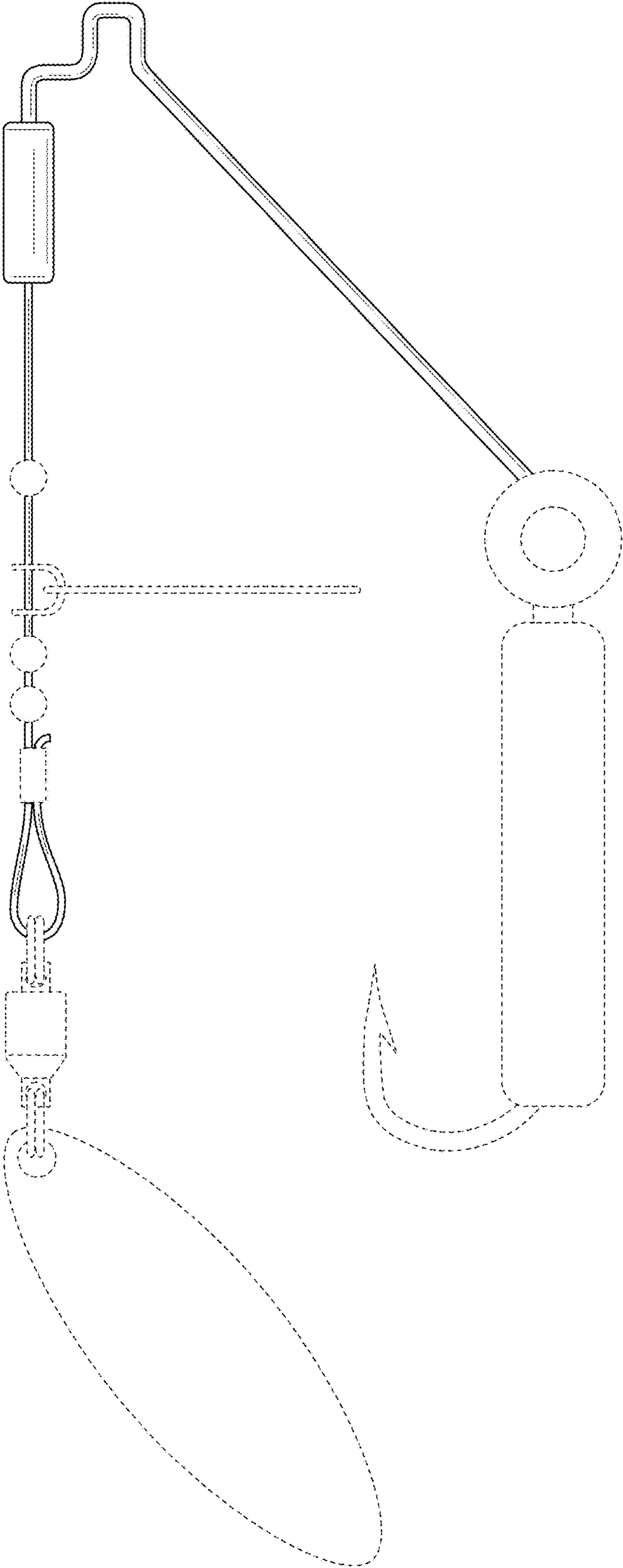


FIG. 5

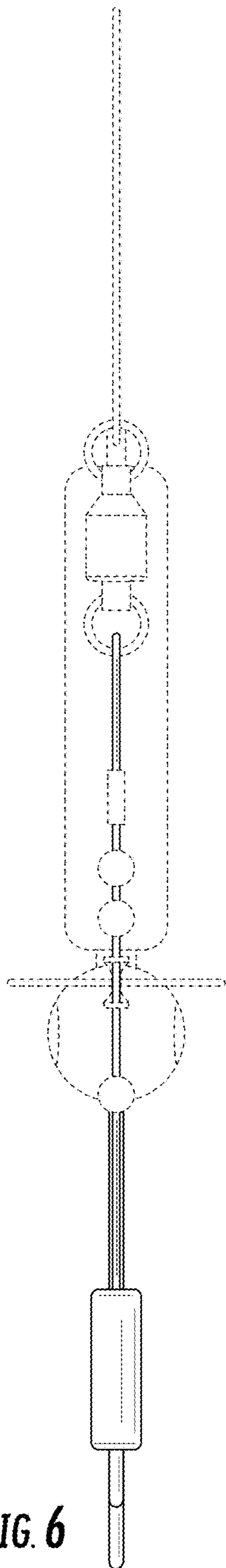


FIG. 6

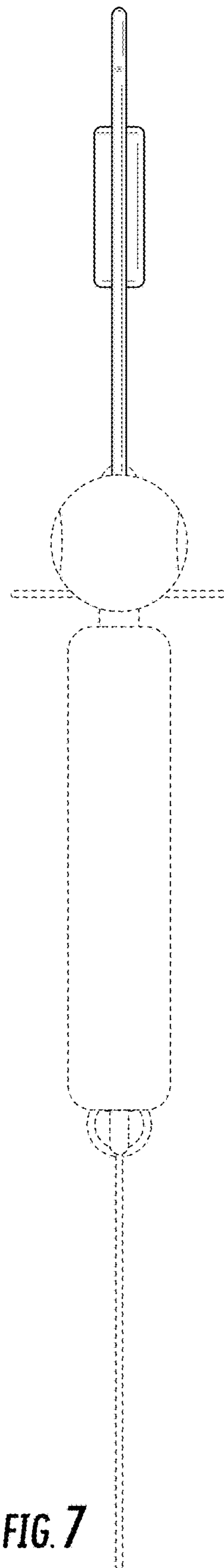


FIG. 7