



US00D810851S

(12) **United States Design Patent** (10) **Patent No.:** **US D810,851 S**
Giannatti et al. (45) **Date of Patent:** **** Feb. 20, 2018**

- (54) **PUTTER GRIP**
- (71) Applicant: **Winston Products, LLC**, Cleveland, OH (US)
- (72) Inventors: **Nick D Giannatti**, Hudson, OH (US); **Ron F. Giannatti**, Highland Heights, OH (US); **Winston H. Breeden, III**, Chagrin Falls, OH (US); **Charles Eugene Spain**, Cameron, NC (US)
- (73) Assignee: **Winston Products, LLC**, Cleveland, OH (US)

5,133,555 A	7/1992	Bailey	
D345,192 S	3/1994	Solheim	
D355,011 S *	1/1995	Subnick D21/756
5,398,930 A	3/1995	Gibson	
5,398,934 A	3/1995	Soong	
5,460,372 A	10/1995	Cook	
5,575,724 A	11/1996	Hannon	
D377,070 S	12/1996	Gurrola	
5,588,921 A	12/1996	Parsick	
5,645,493 A	7/1997	Garcia	
D391,330 S	2/1998	Solheim	
5,779,559 A	7/1998	Eberle	
2,795,241 A	8/1998	Peshek	
D408,066 S	4/1999	Gurrola	
5,947,838 A	9/1999	Tkacs	

(Continued)

- (**) Term: **15 Years**
- (21) Appl. No.: **29/579,751**
- (22) Filed: **Oct. 3, 2016**

Related U.S. Application Data

- (63) Continuation of application No. 29/557,055, filed on Mar. 4, 2016, now Pat. No. Des. 768,251.
- (51) **LOC (11) Cl.** **21-02**
- (52) **U.S. Cl.**
USPC **D21/756**
- (58) **Field of Classification Search**
USPC D21/756-758
CPC A63B 60/06-60/34; A63B 53/14
See application file for complete search history.

(56) **References Cited**

U.S. PATENT DOCUMENTS

D196,268 S	9/1963	Lamb
3,109,653 A	11/1963	Biggs
4,179,125 A	12/1979	Cone
4,215,860 A	8/1980	Nakamatsu
4,537,403 A	8/1985	Farina
4,679,791 A	7/1987	Hull
5,026,062 A	6/1991	Freeberg

FOREIGN PATENT DOCUMENTS

JP D1401882 11/2010

Primary Examiner — Mitchell I. Siegel
(74) *Attorney, Agent, or Firm* — Tucker Ellis LLP; Patrick F. Clunk

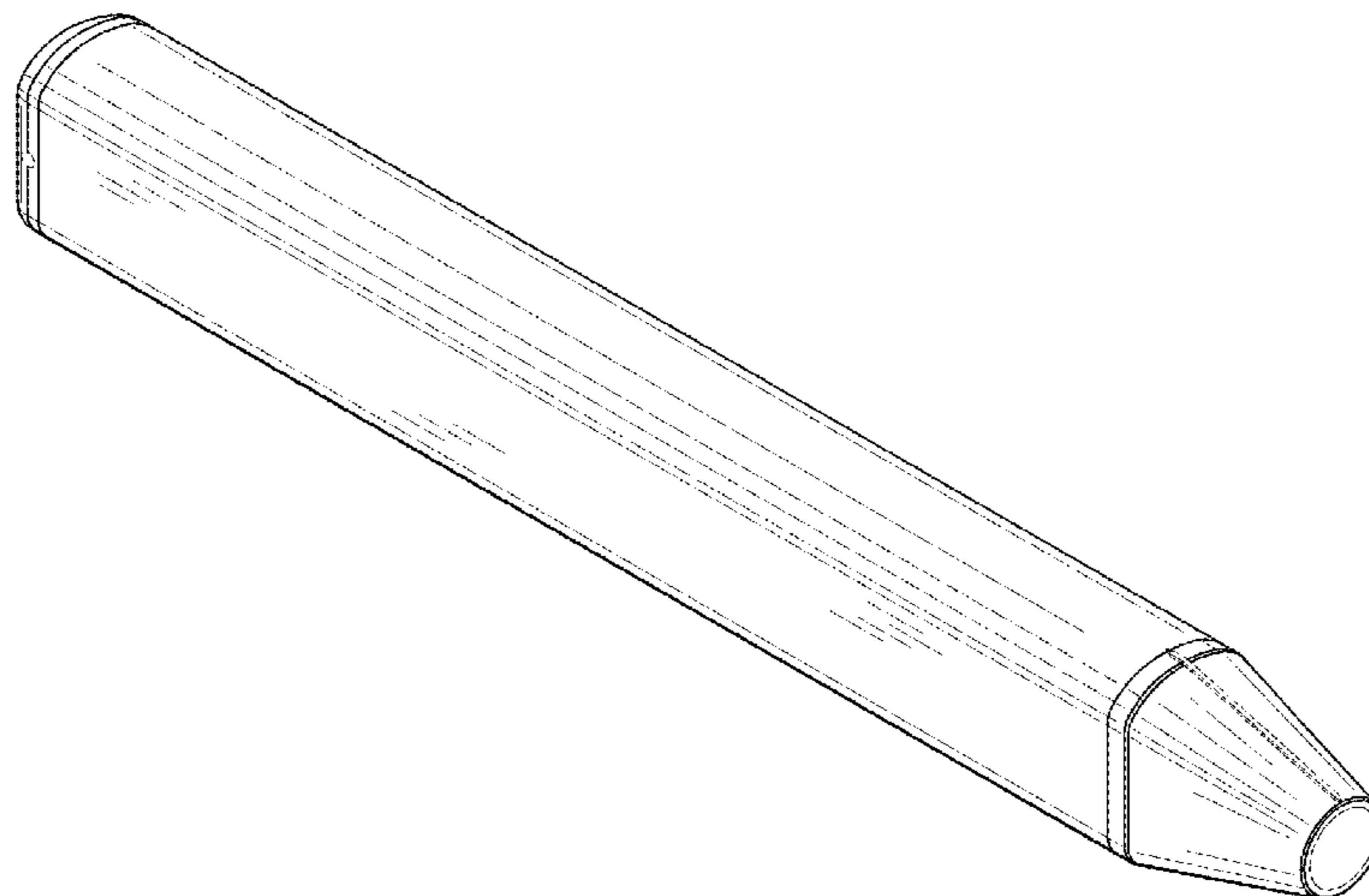
(57) **CLAIM**

The ornamental design for a putter grip, as shown and described.

DESCRIPTION

FIG. 1 is a perspective view of a putter grip showing our new design.
FIG. 2 is another perspective view thereof.
FIG. 3 is a front view thereof.
FIG. 4 is a rear view thereof.
FIG. 5 is a top view thereof.
FIG. 6 is a bottom view thereof.
FIG. 7 is a left side view thereof; and,
FIG. 8 is a right side thereof.
The broken lines shown herein are for illustrative purposes only and form no part of the claimed design.

1 Claim, 5 Drawing Sheets



(56)

References Cited

U.S. PATENT DOCUMENTS

5,993,327 A * 11/1999 Terril A63B 53/14
 473/297
 6,123,625 A 9/2000 Koblentz
 6,152,832 A 11/2000 Chandler, III
 D464,694 S 10/2002 Moore
 D477,645 S 7/2003 Vito
 6,626,768 B2 9/2003 Roelke
 D484,211 S 12/2003 Groelinger
 6,783,463 B2 8/2004 Zichmanis
 6,902,492 B1 6/2005 Strand
 D515,649 S * 2/2006 Zichmanis D21/756
 D516,653 S * 3/2006 Gazeley D21/756
 D518,542 S 4/2006 Yen
 D529,971 S 10/2006 Rose
 D531,243 S 10/2006 Davis
 D532,472 S 11/2006 Schaufele
 D590,465 S 4/2009 Chen

D602,106 S * 10/2009 Stellander D21/756
 D602,546 S * 10/2009 Lin D21/756
 D654,973 S * 2/2012 Marshall D21/756
 D664,225 S 7/2012 Lamkin
 D667,067 S 9/2012 Thompson
 D680,604 S 4/2013 Garsen
 D681,758 S 5/2013 Garsen
 D686,288 S * 7/2013 Threbank D21/756
 D703,779 S 4/2014 Budacsek
 D716,885 S 11/2014 Murphy, Jr.
 D717,894 S 11/2014 Dingman
 D728,717 S * 5/2015 Cokewell D21/756
 D733,237 S 6/2015 Serrano
 D738,973 S 9/2015 Dingman
 D754,807 S 4/2016 Delfortrie
 D768,251 S 10/2016 Giannatti et al.
 D772,361 S 11/2016 Giannatti et al.
 2007/0219015 A1 9/2007 Gazeley
 2012/0214610 A1 8/2012 Parsons
 2013/0130825 A1 5/2013 McLoughlin

* cited by examiner

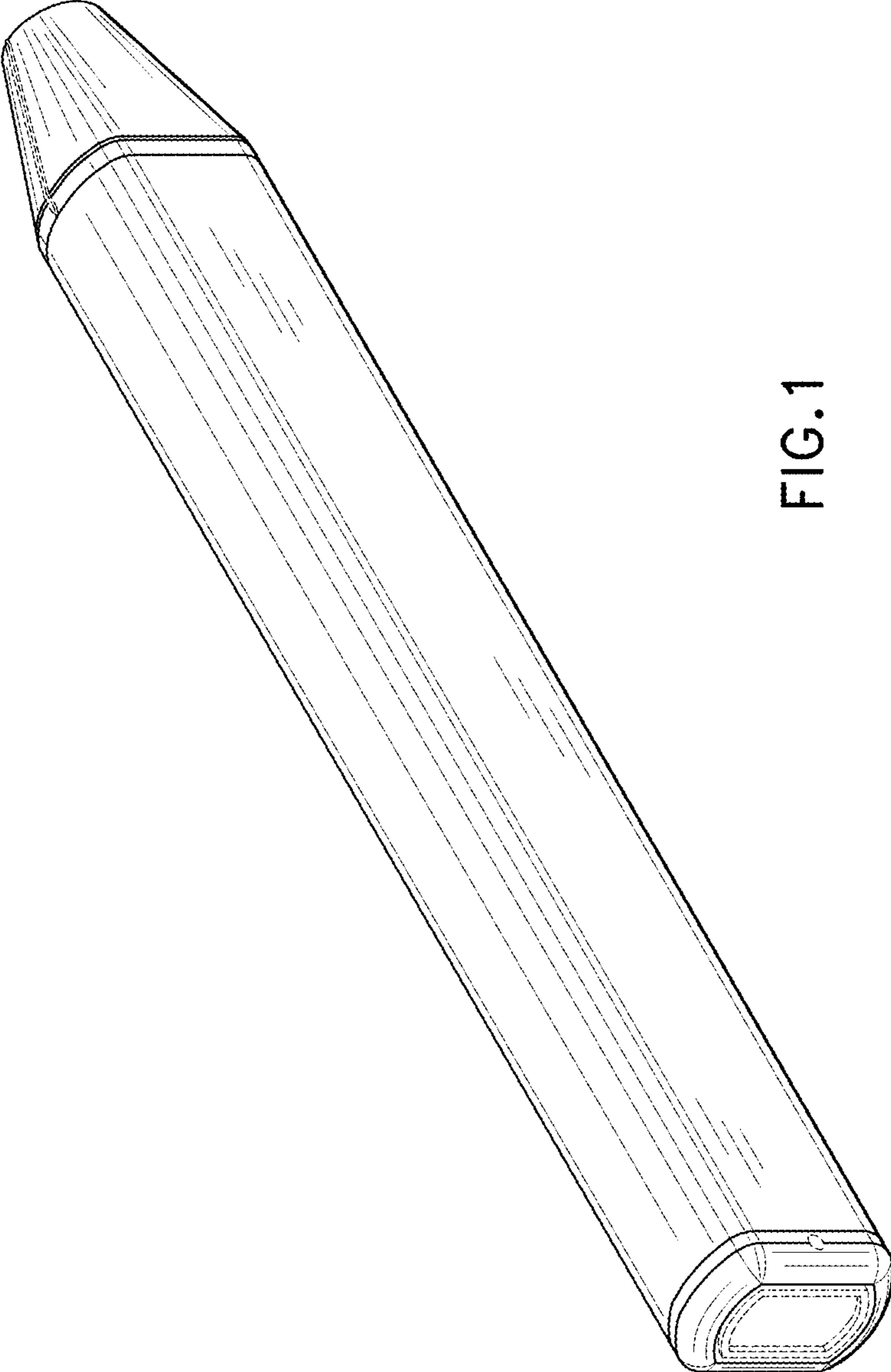


FIG. 1

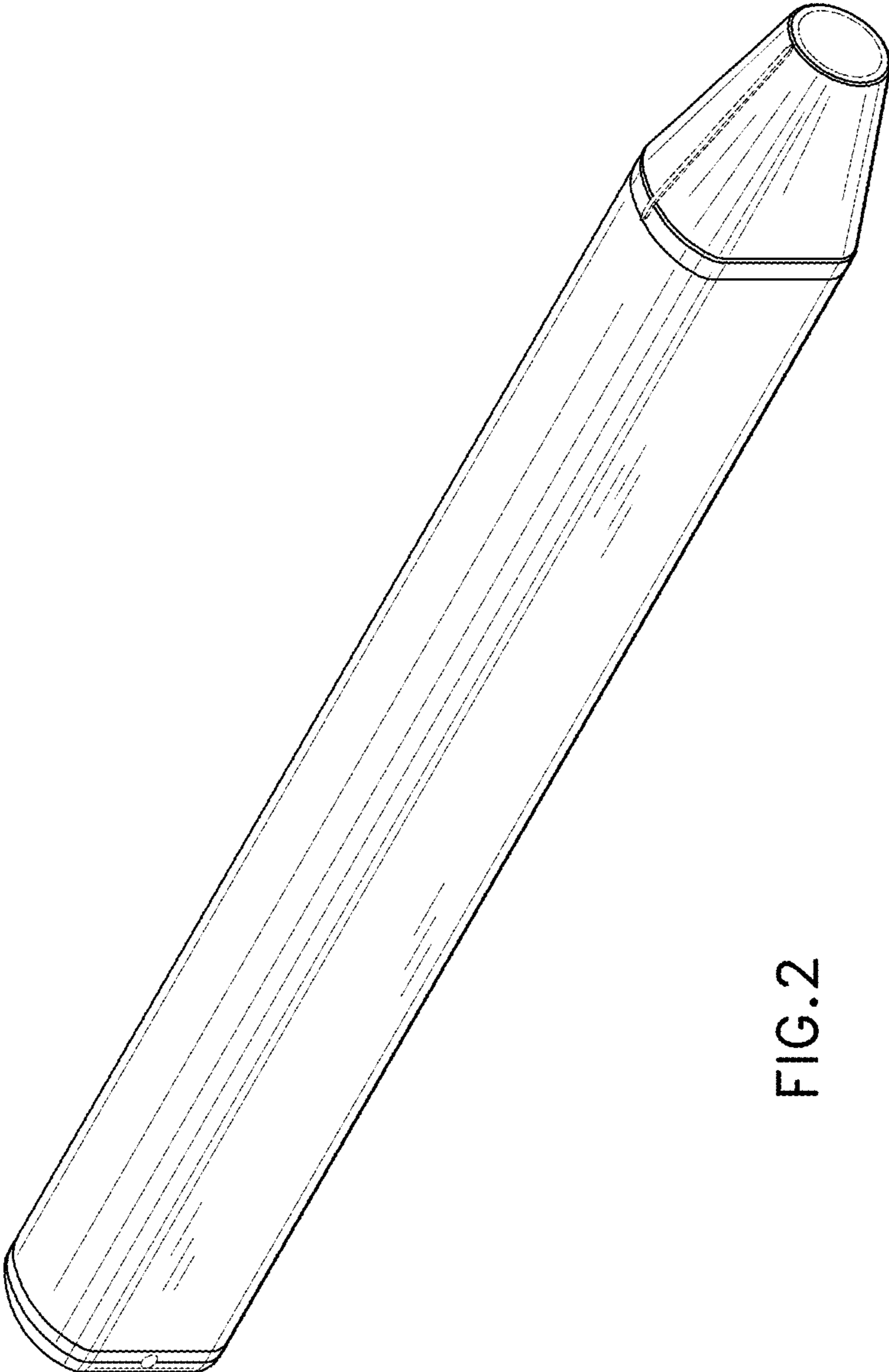


FIG. 2

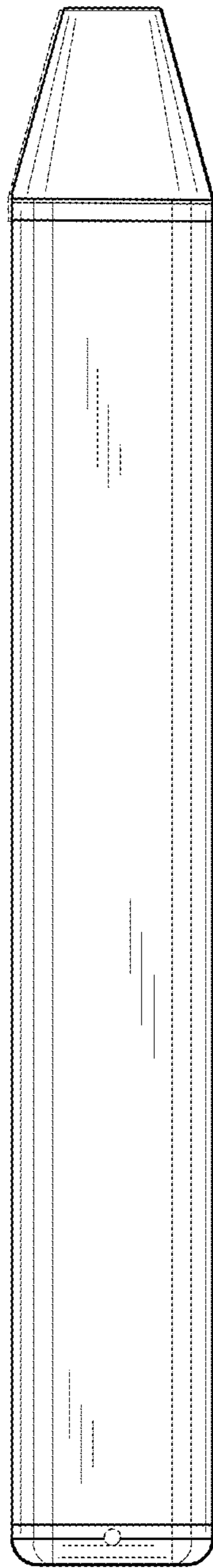


FIG. 3

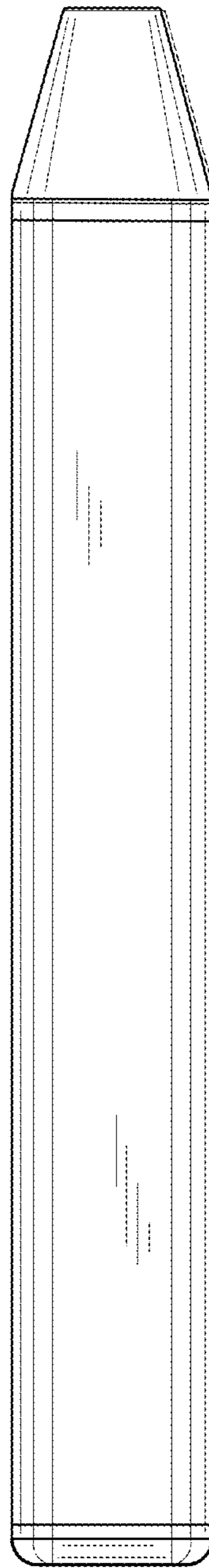


FIG. 4

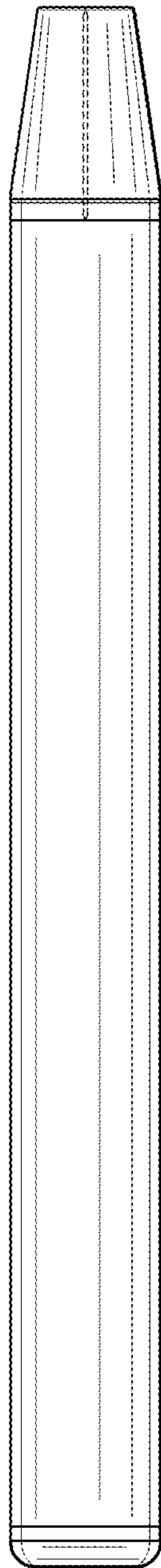


FIG. 5

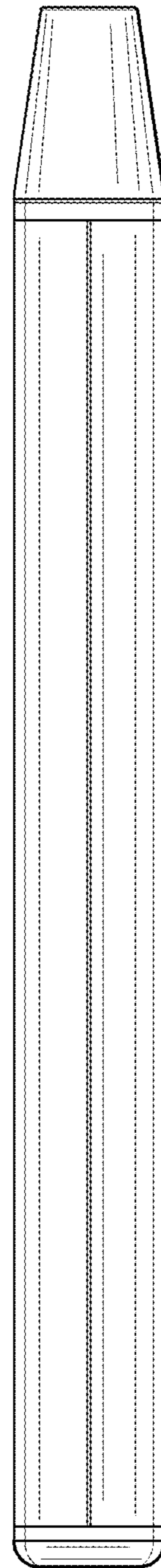


FIG. 6

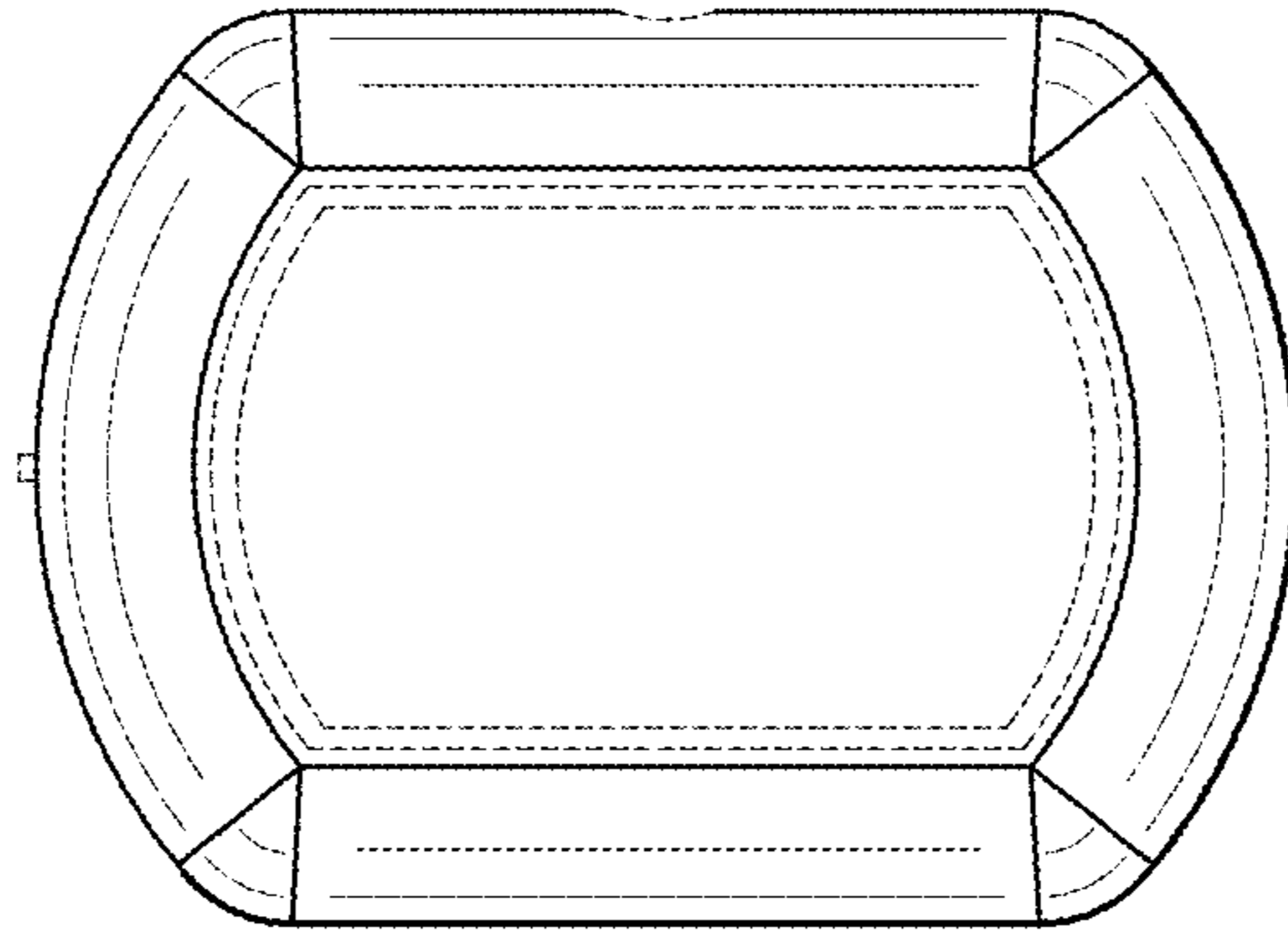


FIG. 7

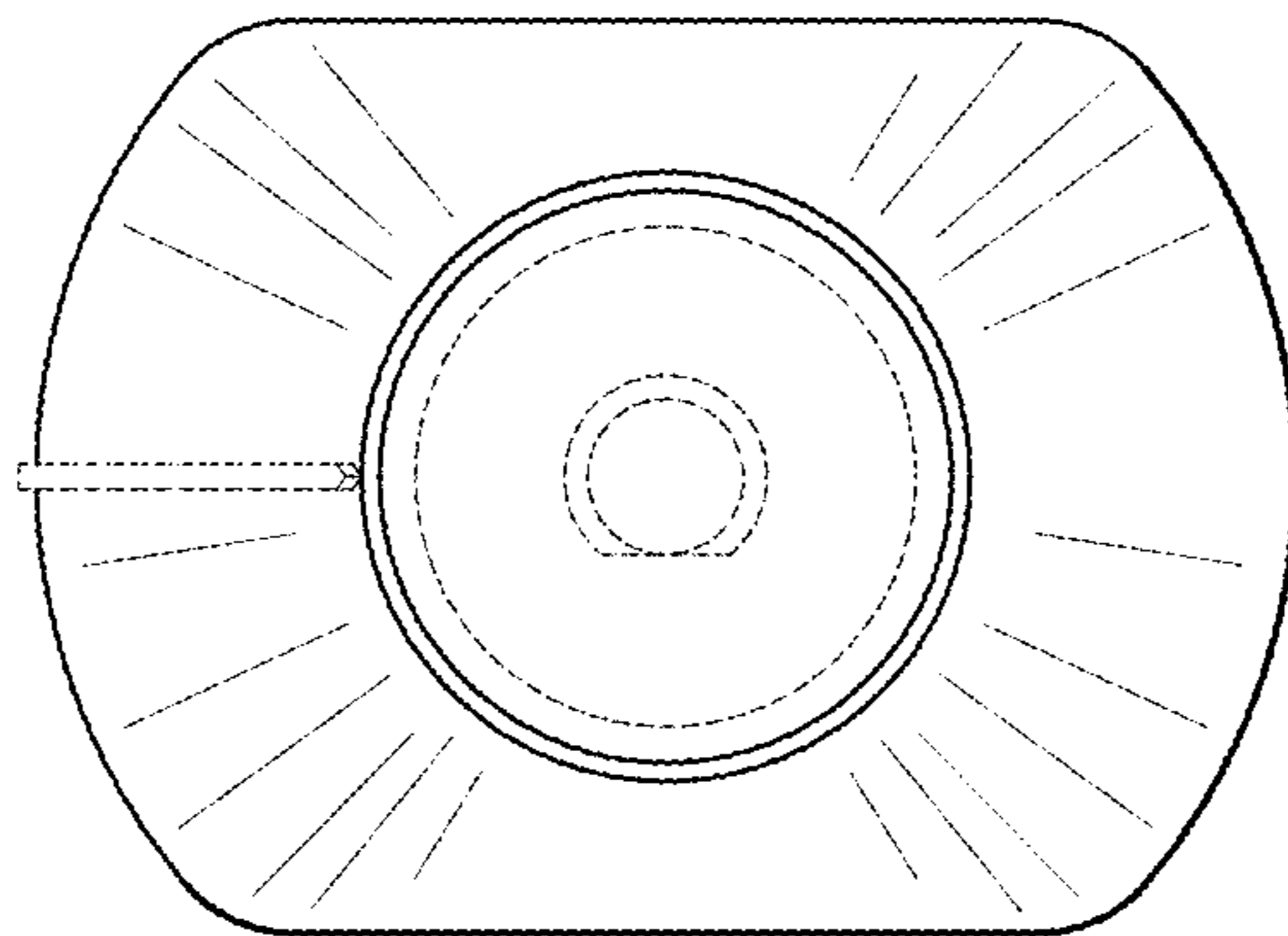


FIG. 8