



US00D810849S

(12) **United States Design Patent** (10) **Patent No.:** **US D810,849 S**  
**Chong** (45) **Date of Patent:** **\*\* Feb. 20, 2018**

(54) **BARBELL END CAP SELF-MOBILIZATION TOOL**  
(71) Applicant: **Andres Chong**, Miami, FL (US)  
(72) Inventor: **Andres Chong**, Miami, FL (US)  
(\*\*) Term: **15 Years**  
(21) Appl. No.: **29/585,442**  
(22) Filed: **Nov. 23, 2016**  
(51) **LOC (11) Cl.** ..... **21-02**  
(52) **U.S. Cl.**  
USPC ..... **D21/694**  
(58) **Field of Classification Search**  
USPC ..... 24/455; 403/106, 107, 261, 321;  
482/107, 92, 93; D8/310, 378, 387, 397,  
D8/399, 347; D13/153; D15/139;  
D21/694; D6/550; 411/427; D3/29  
CPC ..... A63B 21/0728; F16B 37/00; F16B 37/14;  
F05D 2260/31; B29L 2001/005; F16D  
2125/40  
See application file for complete search history.

(56) **References Cited**  
U.S. PATENT DOCUMENTS  
D262,354 S \* 12/1981 Kishida ..... D8/397  
D311,131 S \* 10/1990 Saito ..... D8/397  
D379,428 S \* 5/1997 Fling ..... D8/399  
D409,829 S \* 5/1999 Hanner ..... D3/29  
D422,898 S \* 4/2000 Hussaini ..... D8/347  
D480,953 S \* 10/2003 Lee ..... D8/399  
D487,562 S \* 3/2004 Campbell ..... D8/397  
D520,866 S \* 5/2006 Shirakawa ..... D8/397  
7,252,471 B1 \* 8/2007 Manyoky ..... F16B 37/00  
411/427

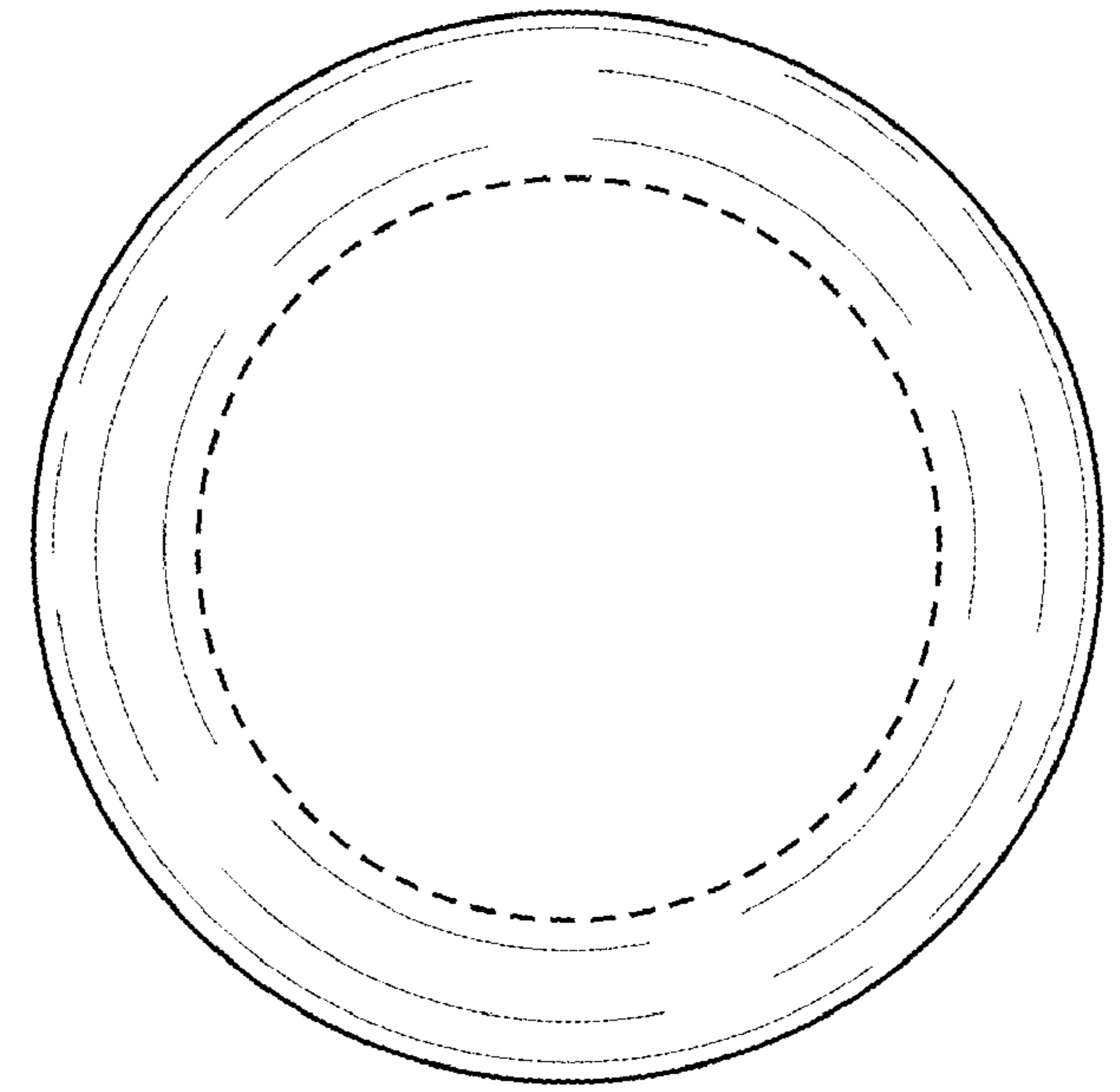
D590,243 S \* 4/2009 Bush ..... D8/397  
D647,391 S \* 10/2011 Barrese ..... D6/550  
D727,720 S \* 4/2015 Schermer ..... D8/397  
D774,386 S \* 12/2016 Brown ..... D8/399  
D780,859 S \* 3/2017 Ramsey ..... D21/694  
D786,056 S \* 5/2017 Baiz ..... D8/387  
D790,331 S \* 6/2017 Baiz ..... D8/387  
D793,219 S \* 8/2017 Baiz ..... D8/397  
D793,854 S \* 8/2017 Baiz ..... D8/397  
D796,947 S \* 9/2017 Hsu ..... D8/397

\* cited by examiner  
*Primary Examiner* — Susan E Krakower  
*Assistant Examiner* — Michael A Maharajh  
(74) *Attorney, Agent, or Firm* — Albert Bordas, P.A.

(57) **CLAIM**  
The ornamental design for a barbell end cap self-mobilization tool, as shown and described.

**DESCRIPTION**  
FIG. 1 is a top plan view of a barbell end cap self-mobilization tool;  
FIG. 2 is a front elevational view thereof, the rear, left and right side elevational views being the same image thereof;  
FIG. 3 is a bottom view thereof;  
FIG. 4 is cross section view taken along the lines 4-4 from FIG. 2 thereof;  
FIG. 5 is an isometric view thereof; and,  
FIG. 6 is side view of a barbell end cap self-mobilization tool shown in use thereof.  
The broken lines are for environmental purposes only and form no part of the claimed design.  
The claimed barbell end cap self-mobilization tool mounts at distal ends of a barbell for massaging and self-mobilization.

**1 Claim, 3 Drawing Sheets**



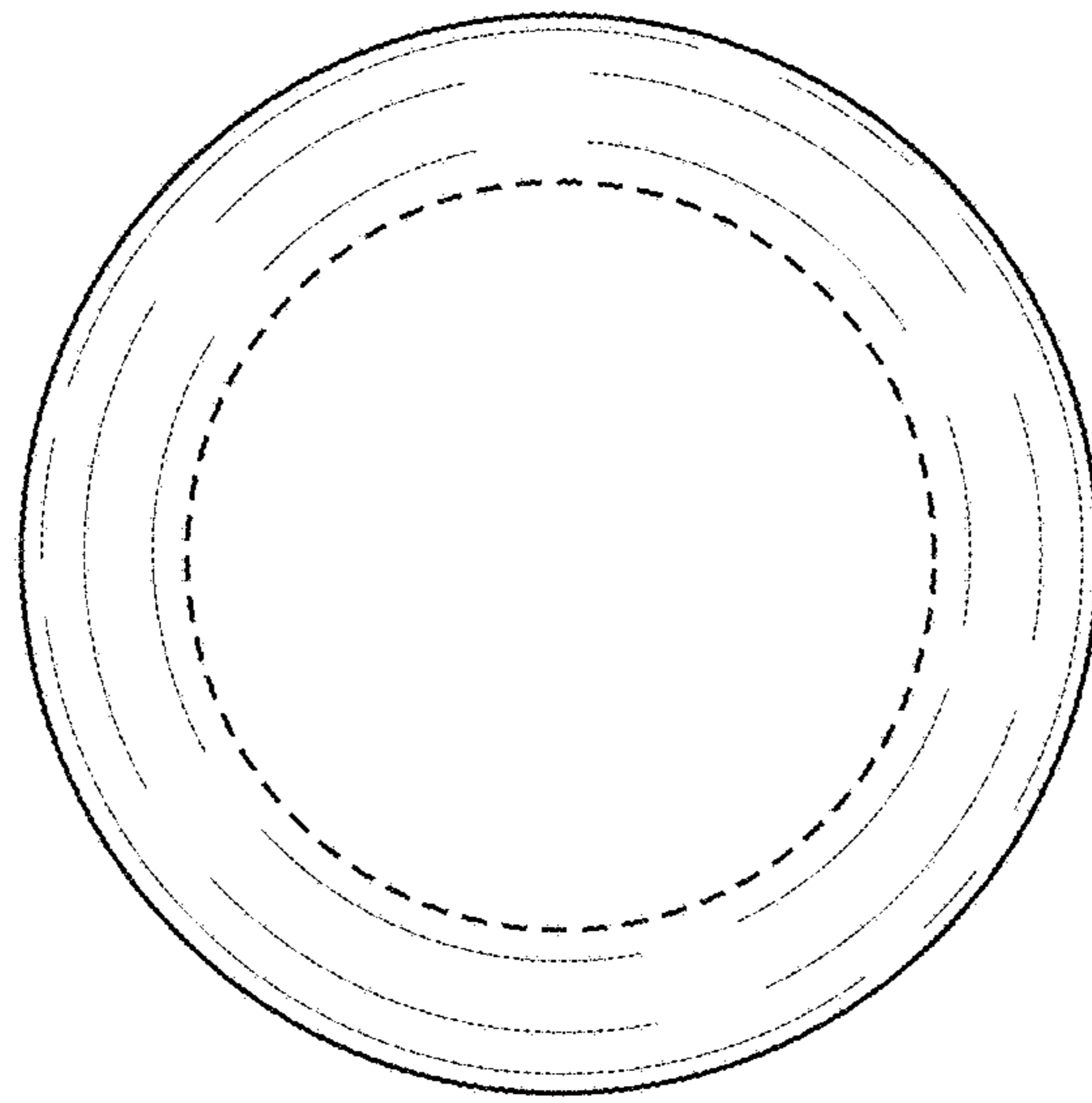


Fig. 1

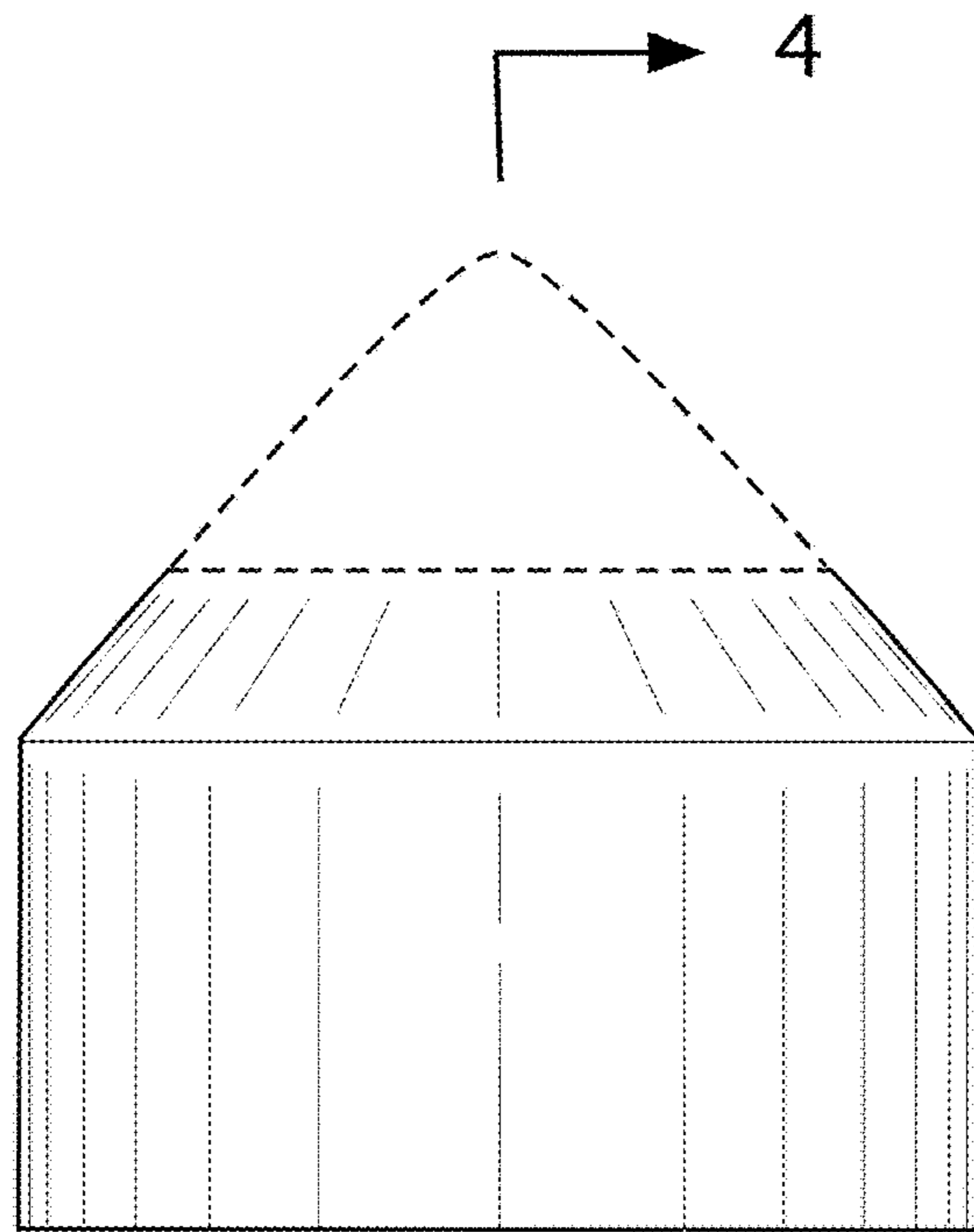


Fig. 2

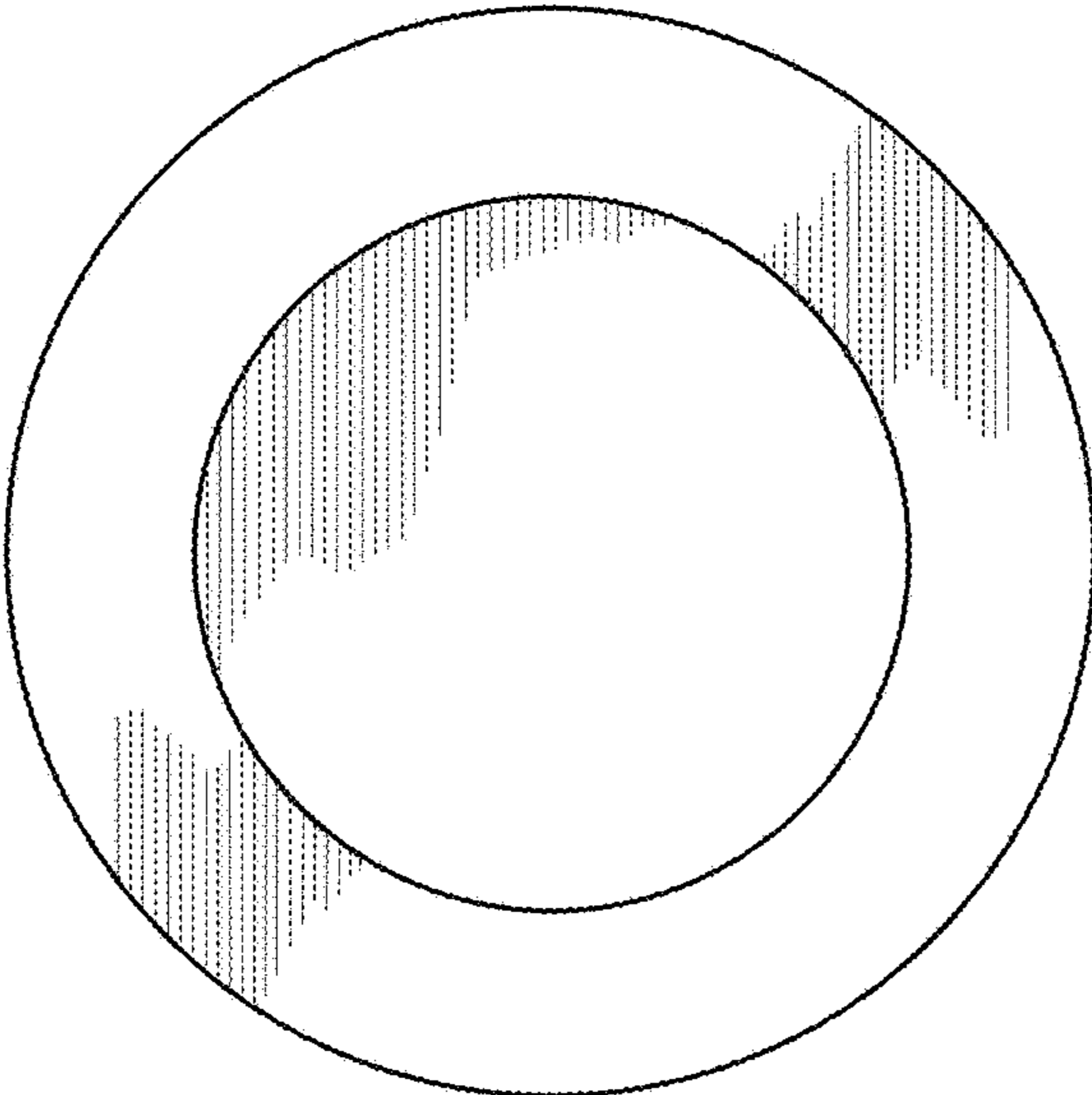


Fig. 3

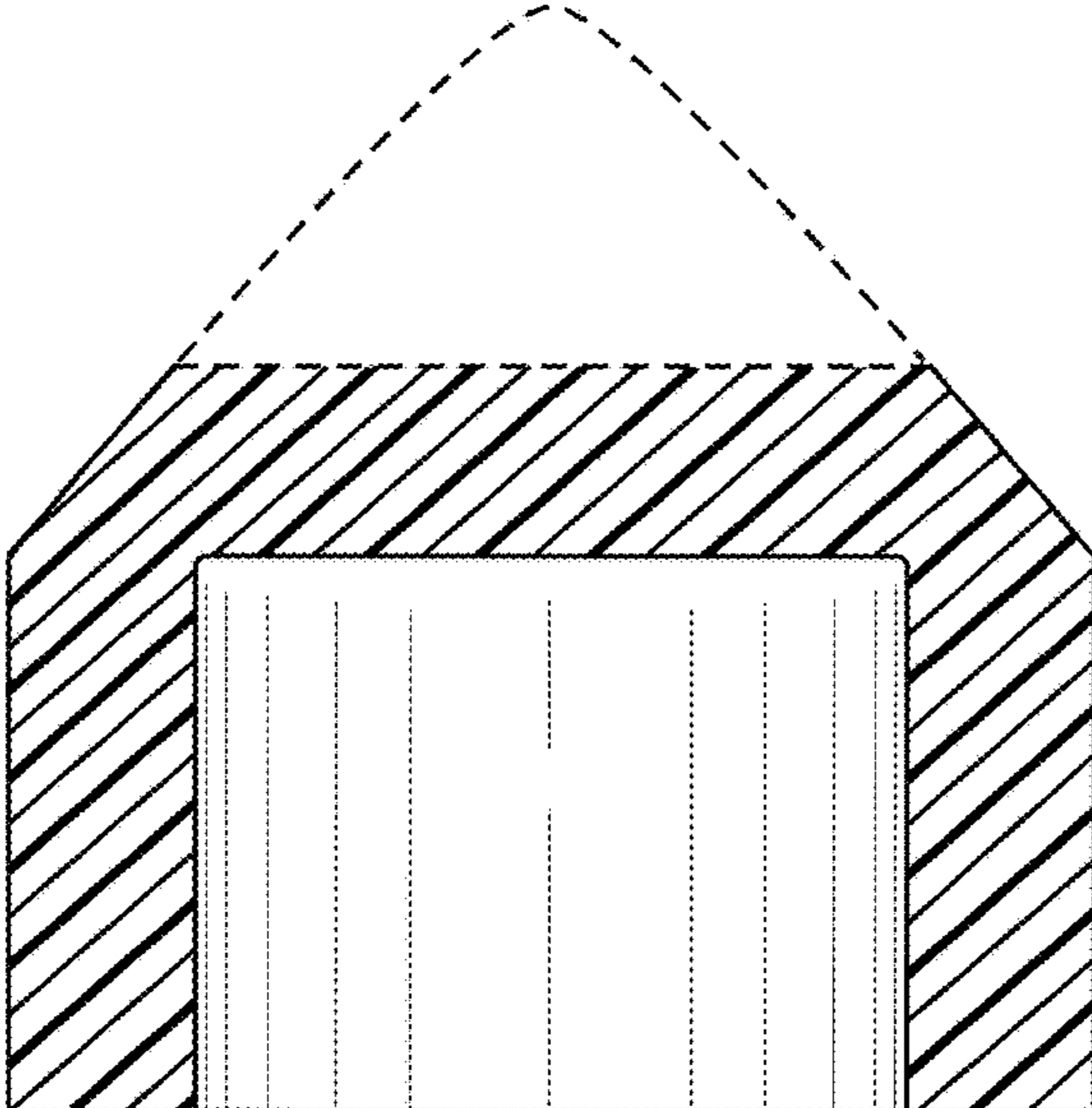


Fig. 4

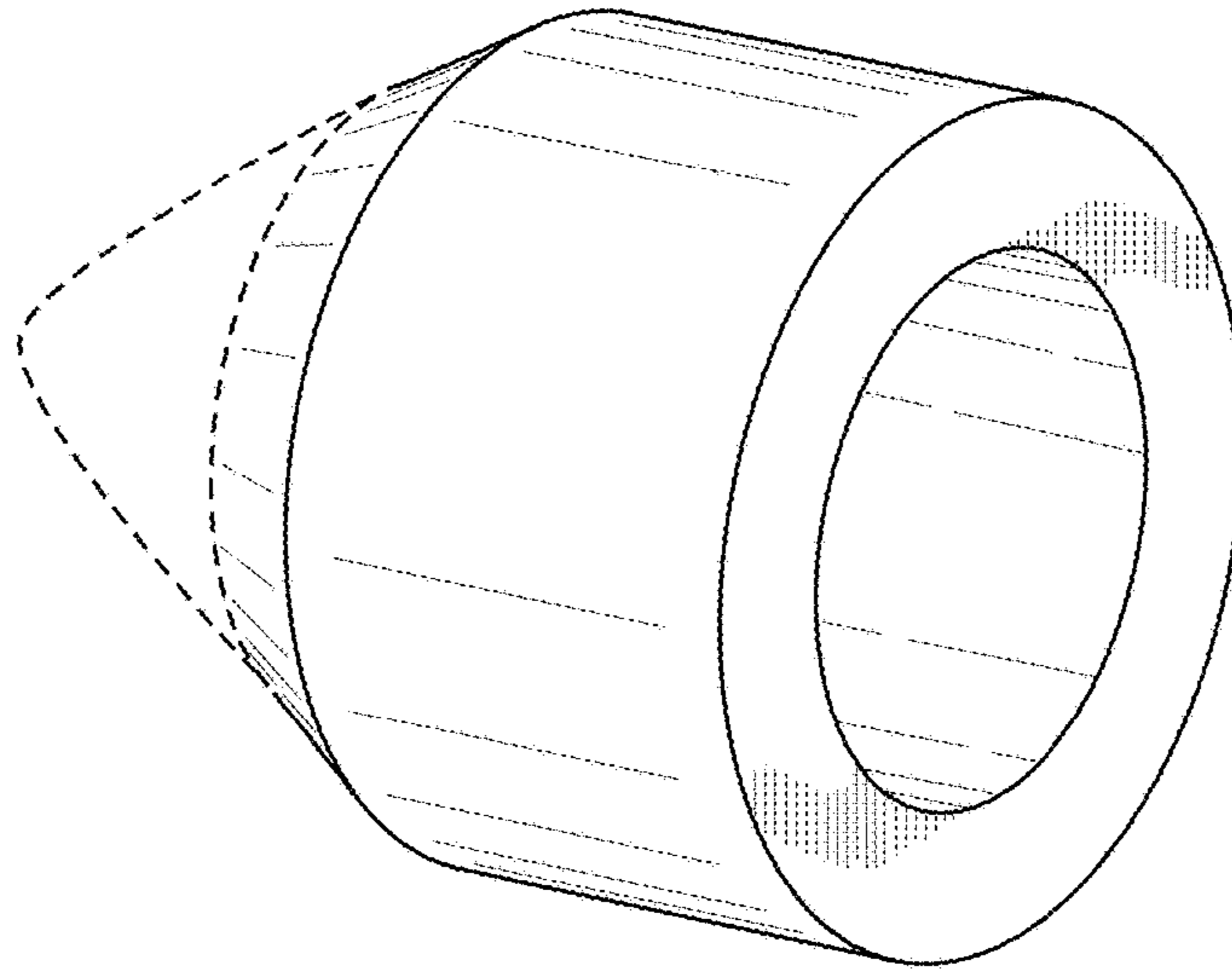


Fig. 5

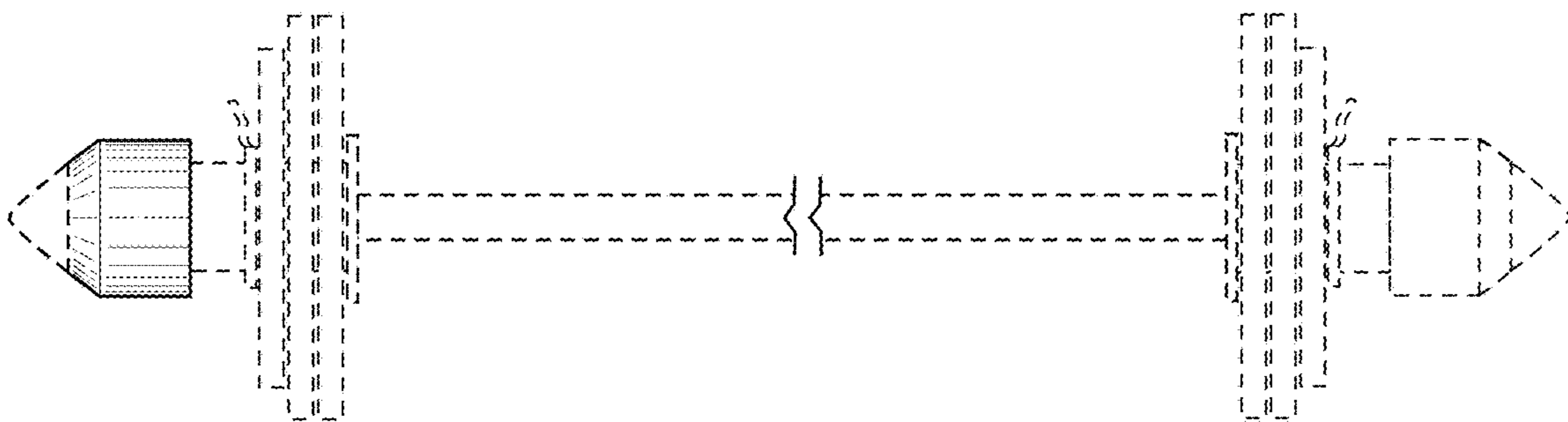


Fig. 6