



US00D810848S

(12) **United States Design Patent** (10) **Patent No.:** **US D810,848 S**  
**Claesson et al.** (45) **Date of Patent:** **\*\* Feb. 20, 2018**

(54) **PELVIC MUSCLE EXERCISE MACHINE**

(71) Applicant: **HCD Agency LLC**, Los Angeles, CA (US)

(72) Inventors: **Hanna Elisabeth Claesson**, Los Angeles, CA (US); **David G. Vogt, Jr.**, Salt Lake City, UT (US); **Henrik Stranne**, Ekerö (SE)

(73) Assignee: **HCD AGENCY LLC**, Los Angeles, CA (US)

(\*\*) Term: **15 Years**

(21) Appl. No.: **29/572,397**

(22) Filed: **Jul. 27, 2016**

**Related U.S. Application Data**

(63) Continuation-in-part of application No. 14/958,169, filed on Dec. 3, 2015.

(51) **LOC (11) Cl.** ..... **21-02**

(52) **U.S. Cl.**  
USPC ..... **D21/692**; D24/135

(58) **Field of Classification Search**  
USPC ..... 482/47, 45, 49, 48, 44, 121, 105, 122, 482/128, 112, 141, 51, 66, 70, 126, 46,  
(Continued)

(56) **References Cited**

**U.S. PATENT DOCUMENTS**

3,036,389 A 5/1962 Wesch  
4,332,380 A 6/1982 Cardin  
(Continued)

**FOREIGN PATENT DOCUMENTS**

DE 19620945 A1 11/1997

**OTHER PUBLICATIONS**

EP Search Report and Opinion of EP Application 16202060.6 dated Mar. 10, 2017.

(Continued)

*Primary Examiner* — Robert M. Spear

*Assistant Examiner* — Ryan Harvey

(74) *Attorney, Agent, or Firm* — Workman Nydegger

(57) **CLAIM**

The ornamental design for a pelvic muscle exercise machine, as shown and described.

**DESCRIPTION**

FIG. 1 is an exploded perspective view of a pelvic muscle exercise machine;

FIG. 2 is a perspective view of the pelvic muscle exercise machine of FIG. 1;

FIG. 3 is a top view of the pelvic muscle exercise machine of FIG. 1;

FIG. 4 is a bottom view of the pelvic muscle exercise machine of FIG. 1;

FIG. 5 is a left side view of the pelvic muscle exercise machine of FIG. 1;

FIG. 6 is a right side view of the pelvic muscle exercise machine of FIG. 1;

FIG. 7 is a front view of the pelvic muscle exercise machine of FIG. 1;

FIG. 8 is a rear view of the pelvic muscle exercise machine of FIG. 1;

FIG. 9 is similar to FIG. 8 but with the cover portion removed for clarity of disclosure;

FIG. 10 is an exploded partial view of the pelvic muscle exercise machine in a closed state with the cover removed;

FIG. 11 is a perspective view of the pelvic muscle exercise machine of FIG. 10 in closed state with the cover in position;

FIG. 12 is a left side view of the pelvic muscle exercise machine of FIG. 11;

FIG. 13 is a right side view of the pelvic muscle exercise machine of FIG. 11;

FIG. 14 is a top view of the pelvic muscle exercise machine of FIG. 11;

FIG. 15 is a bottom view of the pelvic muscle exercise machine of FIG. 11;

FIG. 16 is a rear view of the pelvic muscle exercise machine of FIG. 11;

FIG. 17 is a front side view of the pelvic muscle exercise machine of FIG. 11;

(Continued)

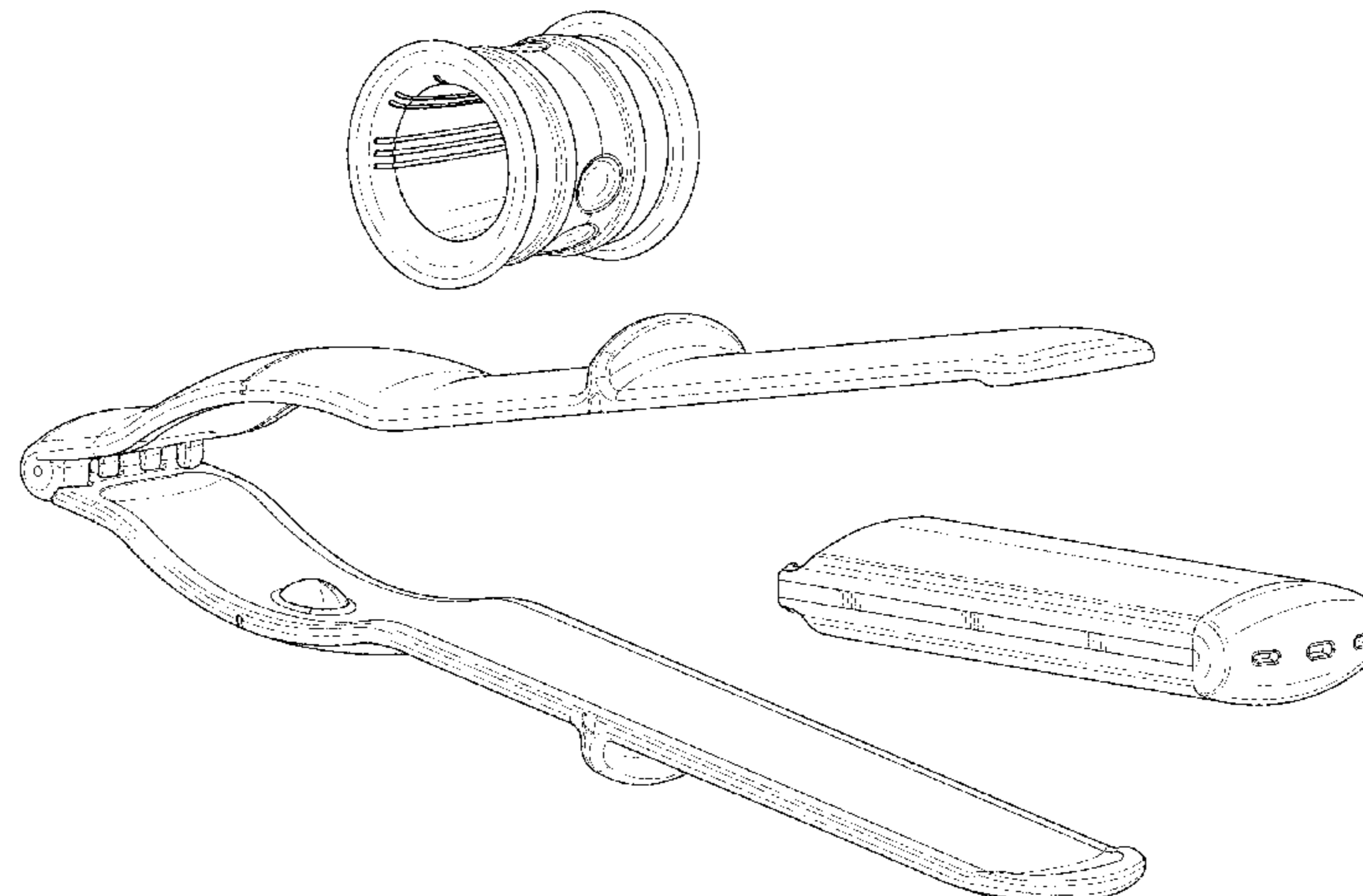


FIG. 18 is a top view of the pelvic muscle exercise machine with the handle cover and resistance cylinder removed;  
 FIG. 19 is a bottom view of FIG. 18;  
 FIG. 20 is a right side view of FIG. 18;  
 FIG. 21 is a left side view of FIG. 18;  
 FIG. 22 is a rear view of FIG. 18;  
 FIG. 23 is a front view of FIG. 18;  
 FIG. 24 is a front view of the resistance cylinder of pelvic muscle exercise machine;  
 FIG. 25 is a top view of FIG. 24;  
 FIG. 26 is a back view of FIG. 24;  
 FIG. 27 is a bottom view of FIG. 24;  
 FIG. 28 is a right side view of FIG. 24; and,  
 FIG. 29 is a left side view of FIG. 24.

**1 Claim, 17 Drawing Sheets**

**(58) Field of Classification Search**

USPC ..... 482/107, 8, 901, 139, 108, 82, 106, 594,  
 482/124, 131, 11, 93, 97; D21/684, 692,  
 D21/662, 679, 693, 714, 682, 501;  
 127/45; D11/133; D19/97, 82, 96;  
 D27/156; D32/35; D22/112; 73/379.03;  
 84/465, 265; D8/303; D24/211; 74/558;  
 601/125, 133, 135, 137, 204, 38;  
 473/594  
 CPC ..... A63B 21/0552; A63B 2208/0204; A63B  
 22/001; A63B 21/00069; A63B 23/12  
 See application file for complete search history.

**(56) References Cited**

**U.S. PATENT DOCUMENTS**

D281,802 S \* 12/1985 Gordon ..... D21/684  
 4,729,560 A 3/1988 Cho  
 5,072,927 A 12/1991 Santos  
 5,222,926 A 6/1993 Eggen  
 5,267,929 A 12/1993 Chen  
 5,360,385 A 11/1994 Wang  
 5,380,259 A 1/1995 Robertson  
 D358,857 S \* 5/1995 Yang ..... D21/684  
 5,529,551 A 6/1996 Chin  
 5,554,092 A 9/1996 Harpstead  
 D379,104 S \* 5/1997 Beard ..... D21/684  
 5,674,164 A \* 10/1997 Kravitz ..... A63B 21/0004  
 482/121  
 5,752,896 A 5/1998 White  
 5,833,580 A 11/1998 Chiu  
 5,865,715 A 2/1999 Wallick  
 D408,062 S \* 4/1999 Beard ..... D21/684  
 6,063,006 A 5/2000 Chiu  
 D428,631 S \* 7/2000 Stein ..... D21/662  
 6,258,015 B1 7/2001 Blackford

D446,561 S \* 8/2001 Beard ..... D21/662  
 D446,857 S \* 8/2001 Stein ..... D24/133  
 D447,234 S \* 8/2001 Stein ..... D24/135  
 D447,235 S \* 8/2001 Stein ..... D24/135  
 D460,505 S \* 7/2002 Yang ..... D21/684  
 6,786,849 B1 \* 9/2004 Faulconer ..... A63B 21/0004  
 482/121  
 6,881,177 B2 4/2005 An  
 D505,169 S \* 5/2005 Kuo ..... D21/684  
 7,001,315 B1 2/2006 Diodati  
 D521,086 S \* 5/2006 Faulconer ..... D21/684  
 D561,850 S \* 2/2008 Yang ..... D21/684  
 D626,188 S \* 10/2010 Bisson ..... D21/684  
 D634,796 S \* 3/2011 Batiste ..... D21/684  
 7,955,237 B2 \* 6/2011 Bisson ..... A63B 21/0004  
 482/126  
 D654,126 S 2/2012 Eckermann  
 8,118,726 B1 2/2012 Blackford  
 8,133,158 B2 3/2012 An  
 D671,179 S \* 11/2012 Chang ..... D21/684  
 8,376,912 B1 2/2013 Dedvukaj  
 8,556,786 B2 \* 10/2013 Chen ..... A63B 21/0004  
 482/122  
 9,149,675 B2 \* 10/2015 Kubik ..... A63B 23/03  
 D747,167 S \* 1/2016 Harkin ..... D8/72  
 9,364,711 B1 6/2016 Keck  
 2002/0147082 A1 10/2002 Harding-Randle  
 2003/0036464 A1 2/2003 Zavilevich  
 2006/0166797 A1 7/2006 Hamer  
 2007/0037665 A1 2/2007 Robbins  
 2007/0060448 A1 3/2007 Silagy  
 2009/0239721 A1 \* 9/2009 Bisson ..... A63B 21/0004  
 482/126  
 2010/0004102 A1 1/2010 Harding-Randle  
 2010/0248918 A1 9/2010 Nakamura  
 2011/0136634 A1 \* 6/2011 Batiste ..... A63B 21/02  
 482/127  
 2014/0113771 A1 4/2014 Kubik et al.  
 2016/0279469 A1 9/2016 Rose

**OTHER PUBLICATIONS**

U.S. Appl. No. 14/121,186, filed Aug. 11, 2014.  
 Office Action of U.S. Appl. No. 14/121,186, dated Aug. 26, 2015,  
 filed Aug. 11, 2014.  
 Notice of Allowance of U.S. Appl. No. 14/121,186, dated Feb. 16,  
 2016, filed Aug. 11, 2014.  
 U.S. Appl. No. 14/958,169, filed Dec. 3, 2015, Hanna Elisabeth  
 Claesson.  
<https://kegelmaster.com/>, Kegelmaster 2000 Kegel Exercise Device  
 Official Company Website—Kegelmaster 2000, Copyright 2010-  
 2016 Kegelmaster.com.  
<http://www.perifit.fr/>, Copyright 2016 Perifit.  
<https://www.elvie.com/>, 2014-2017 Chiaro.  
<https://www.minnalife.com/products/kgoal>, 2016 Minna Life Inc.  
<https://www.intimina.com/en/kegelsmart>, Intimina 2017.  
 U.S. Appl. No. 14/958,169, filed Oct. 20, 2016, Office Action.

\* cited by examiner

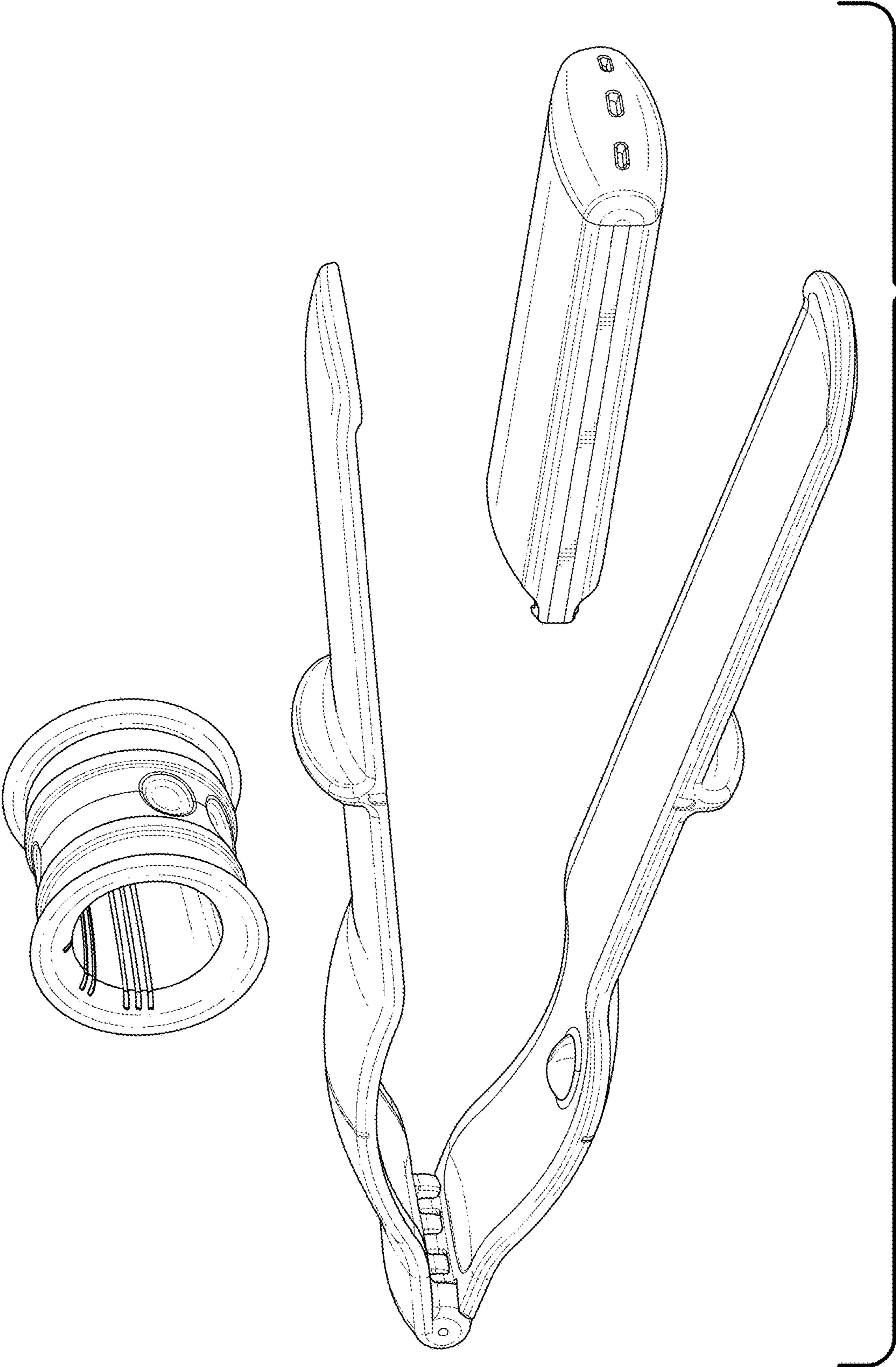


FIG. 1

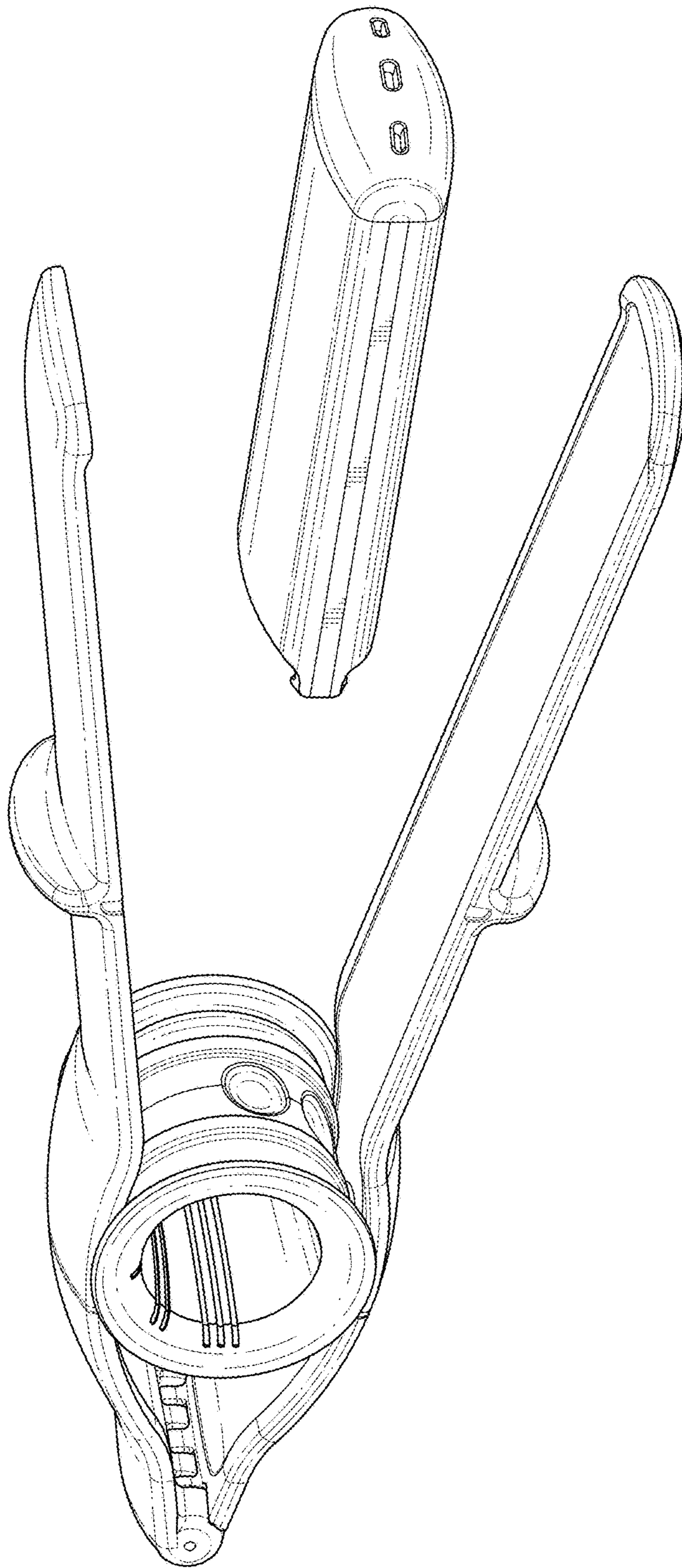
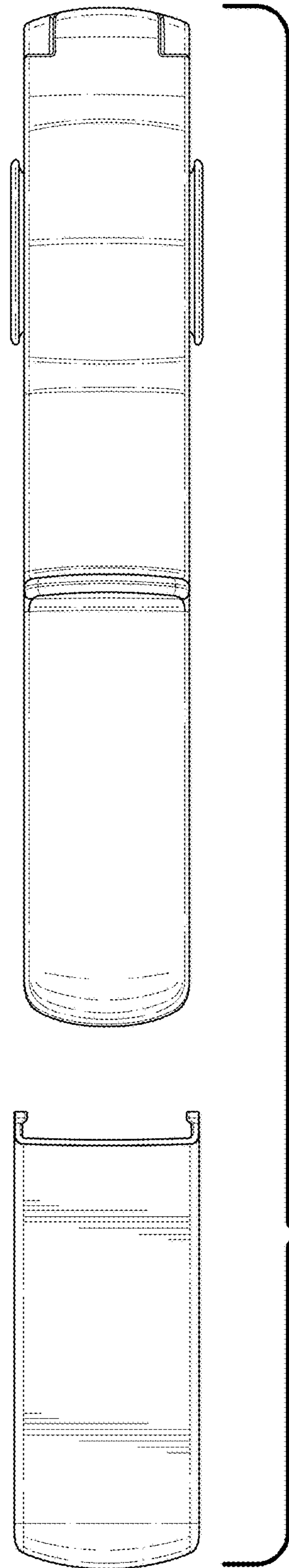
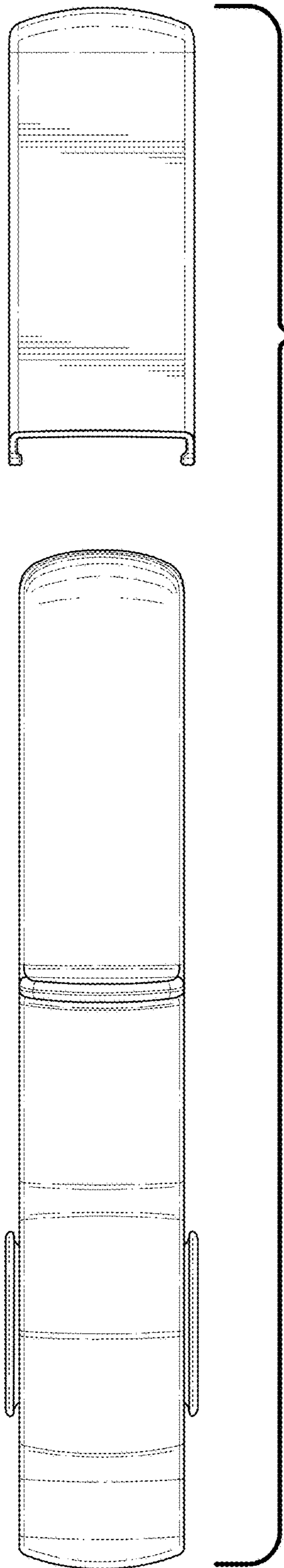


FIG. 2



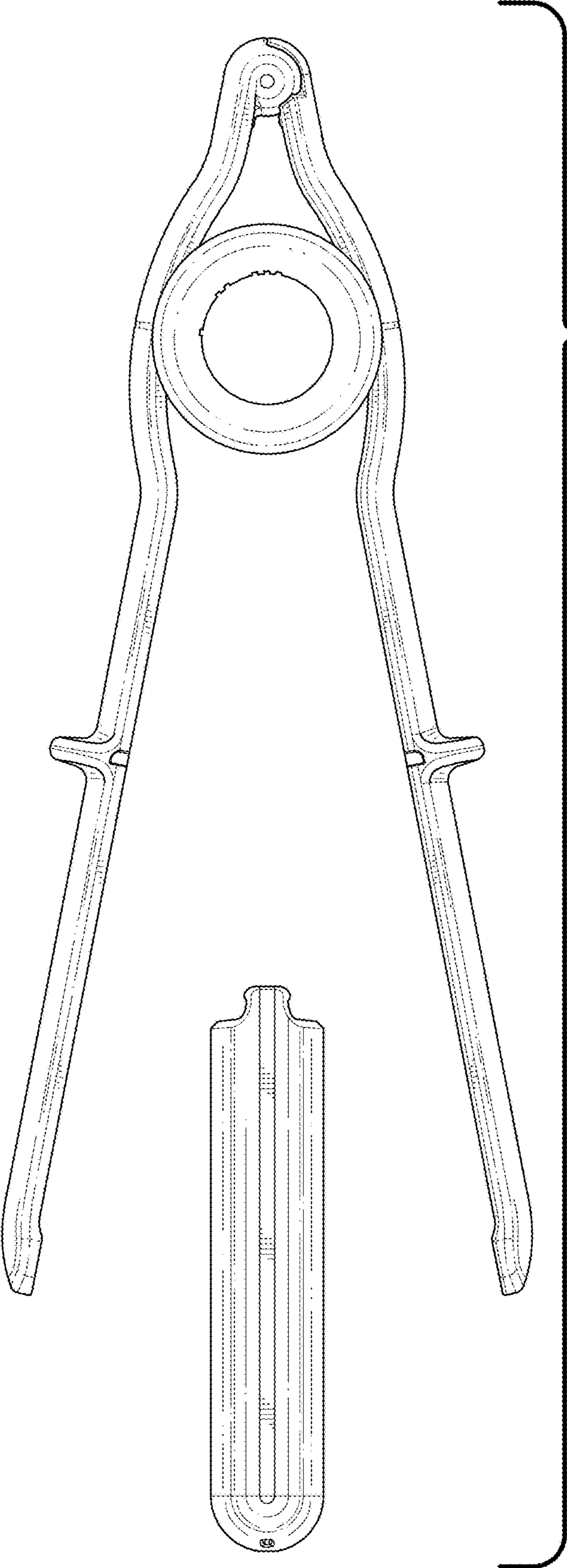


FIG. 5

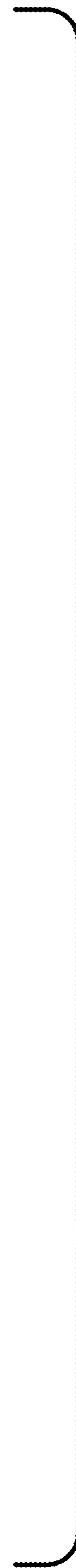
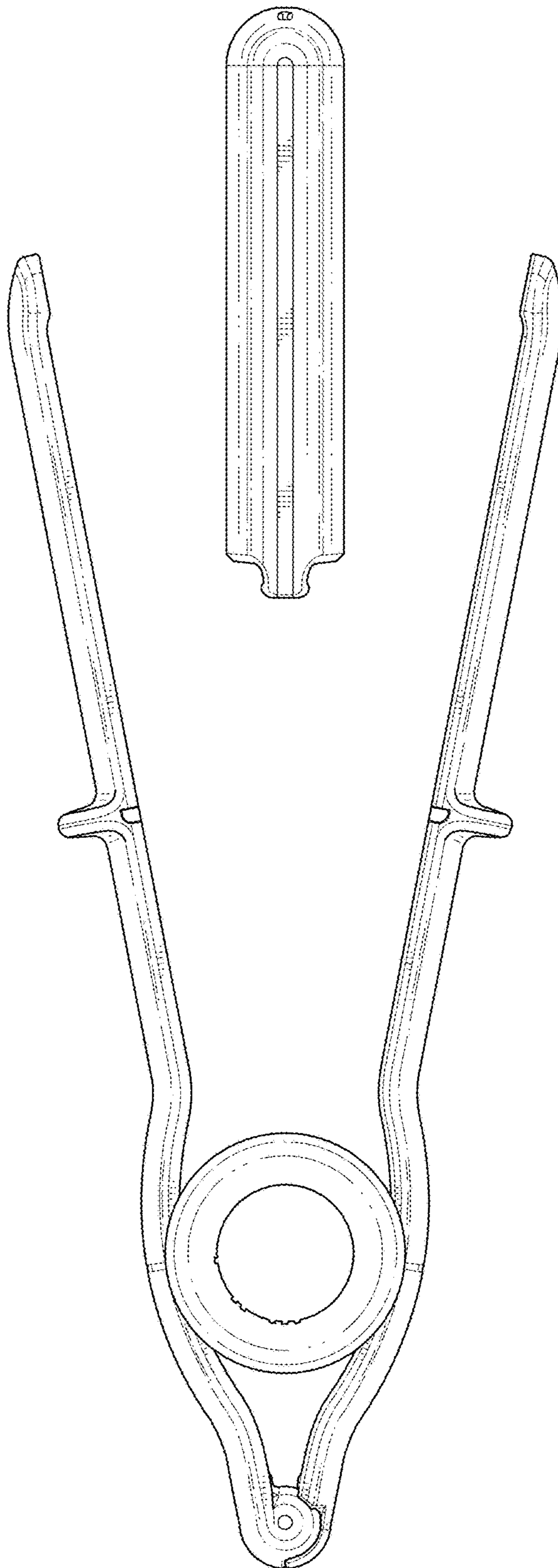


FIG. 6

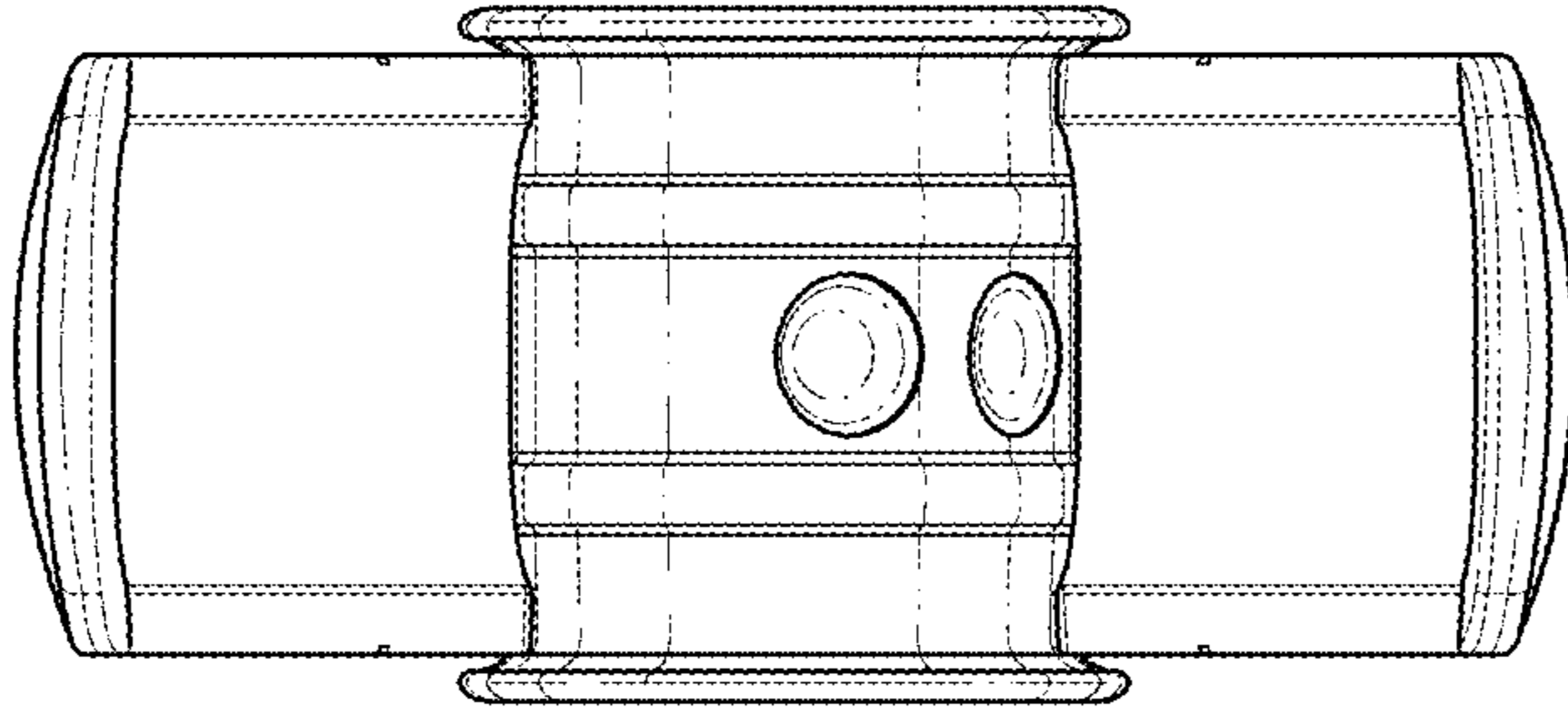


FIG. 9

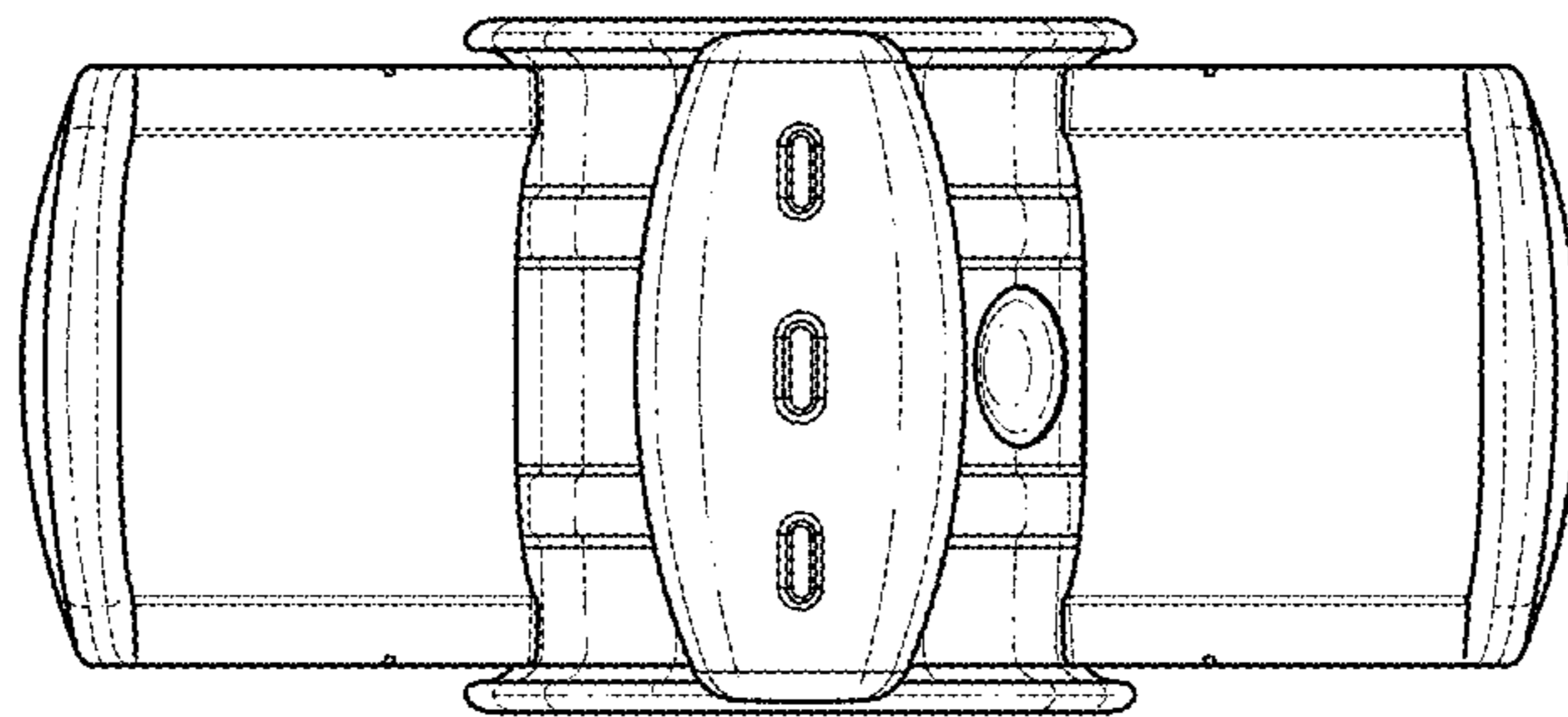


FIG. 8

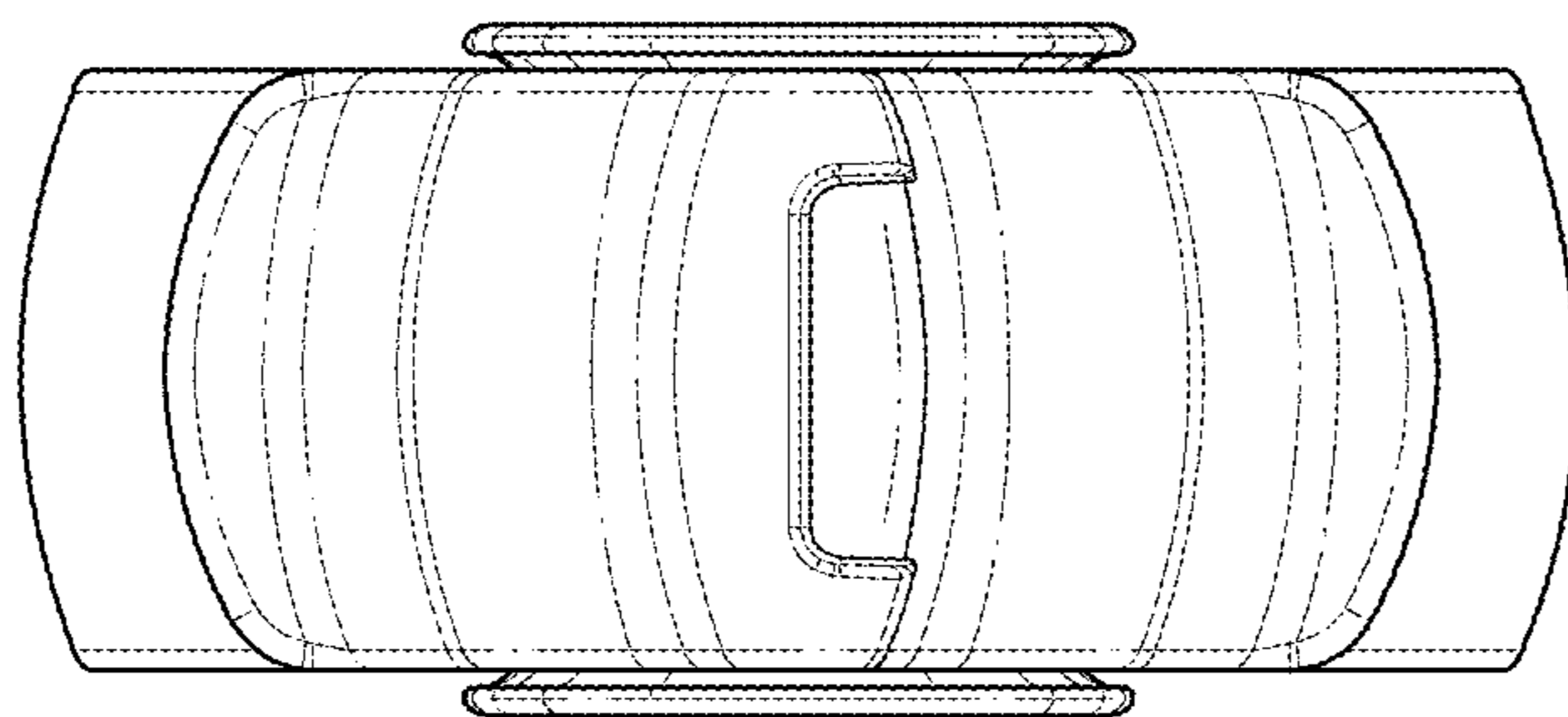
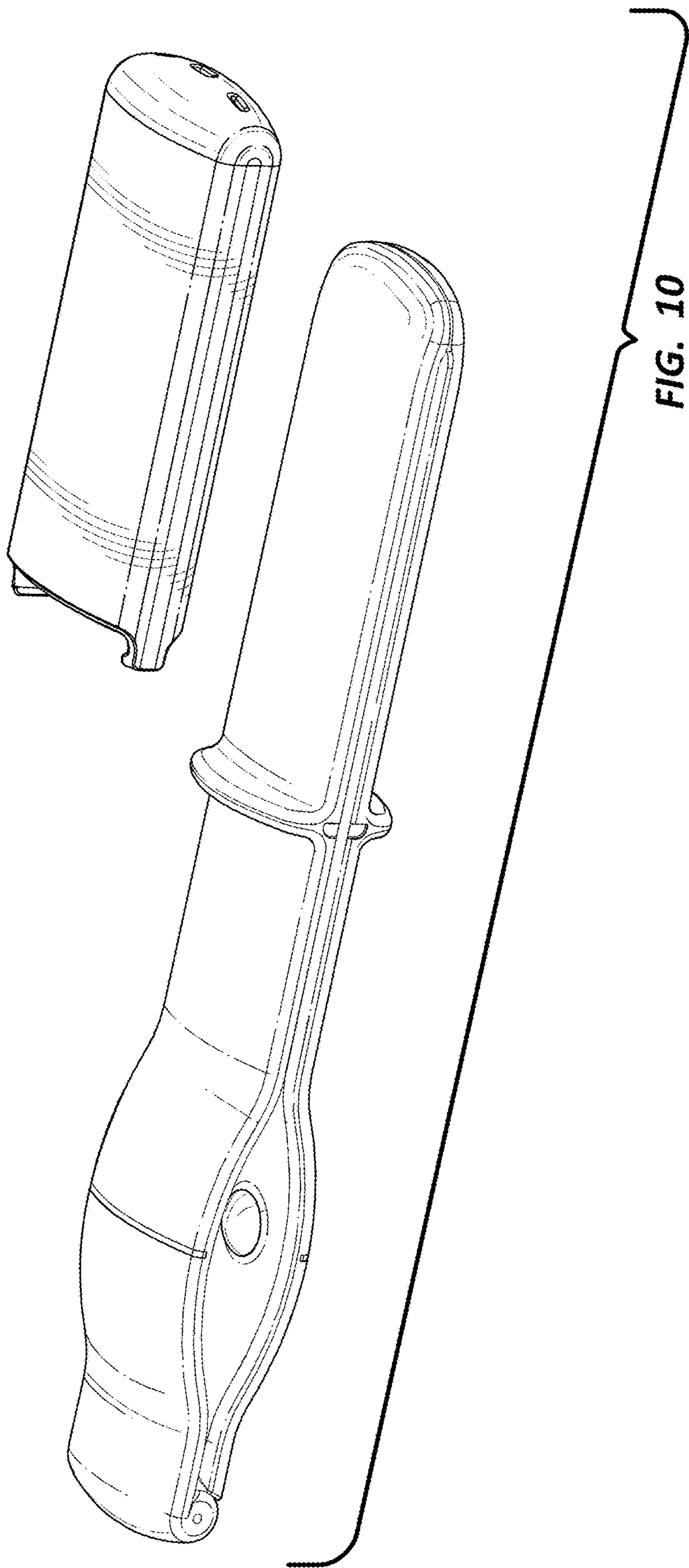
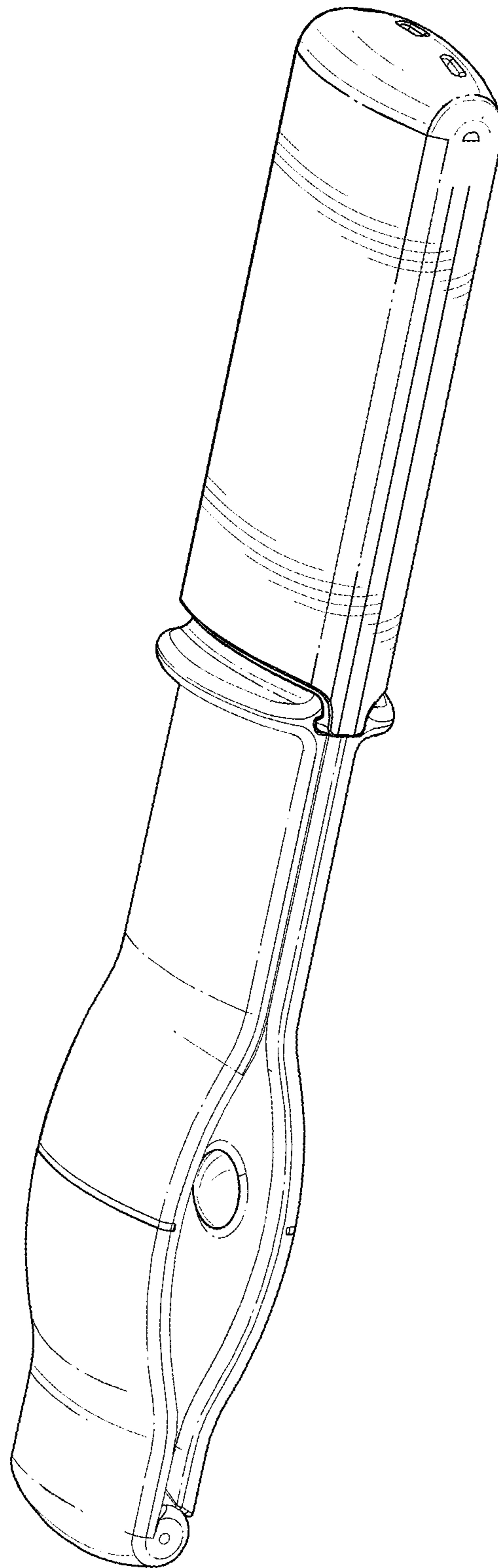


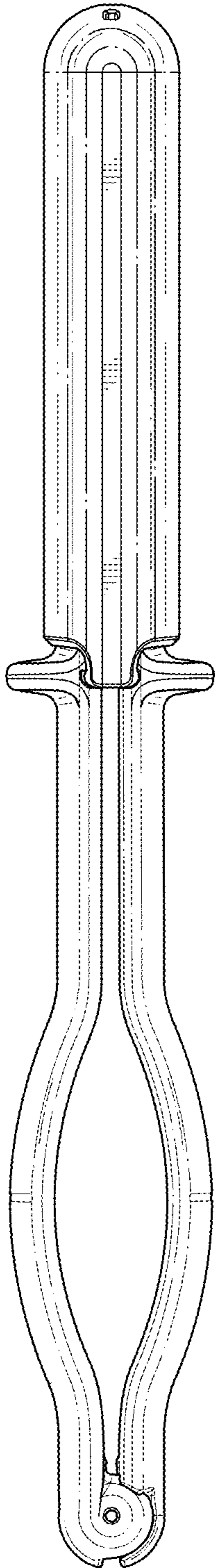
FIG. 7



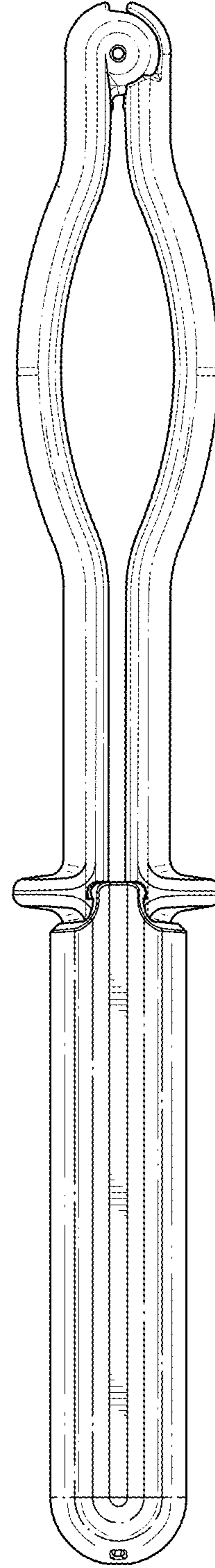




**FIG. 11**



**FIG. 12**



**FIG. 13**

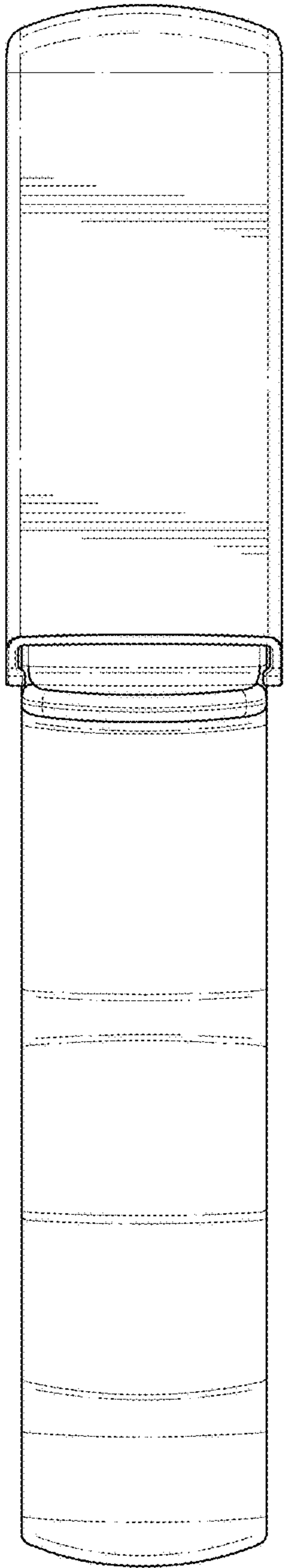


FIG. 14

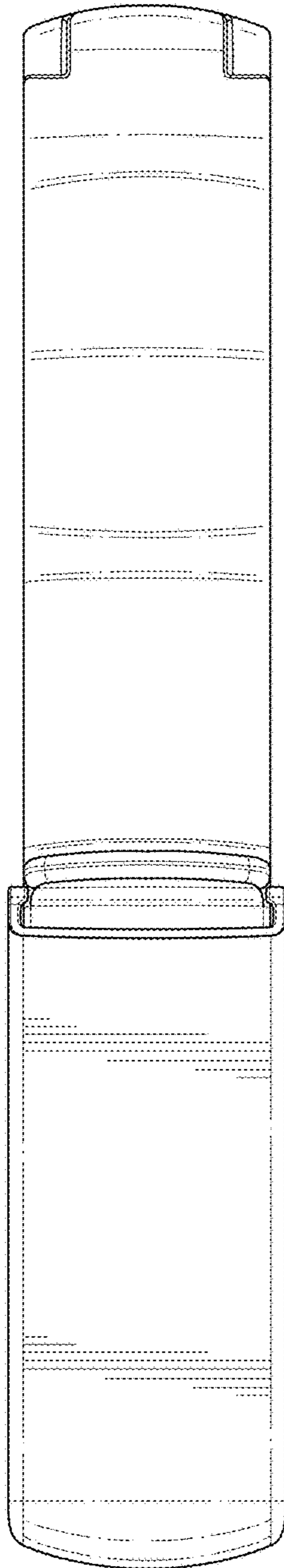


FIG. 15

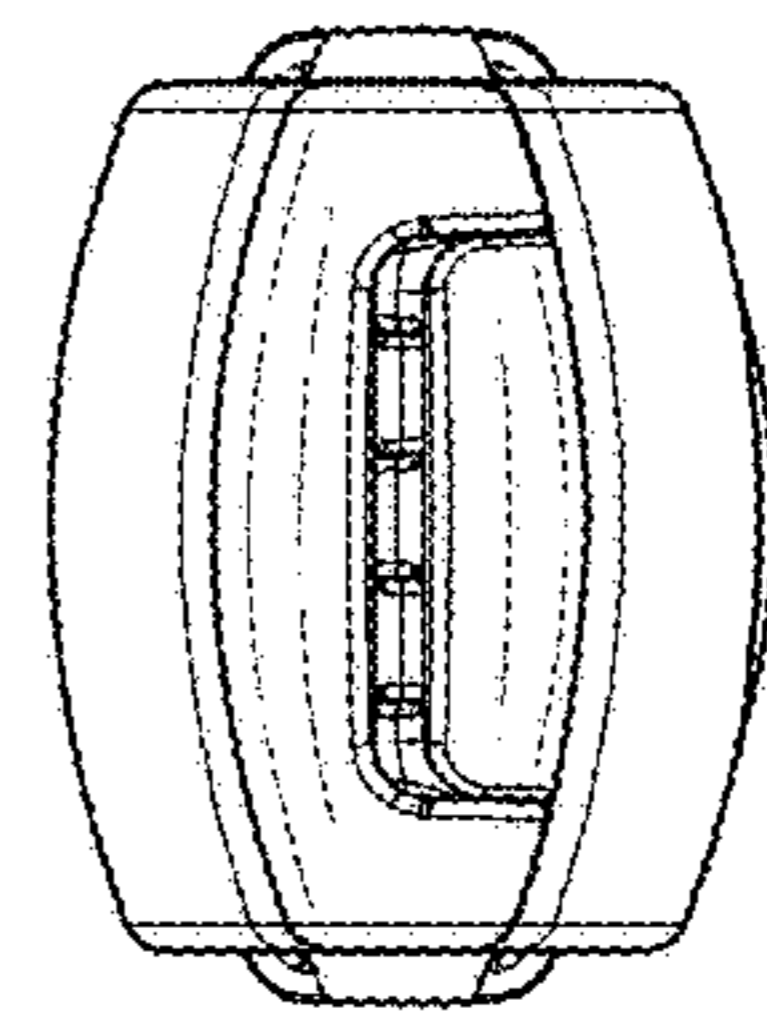


FIG. 16

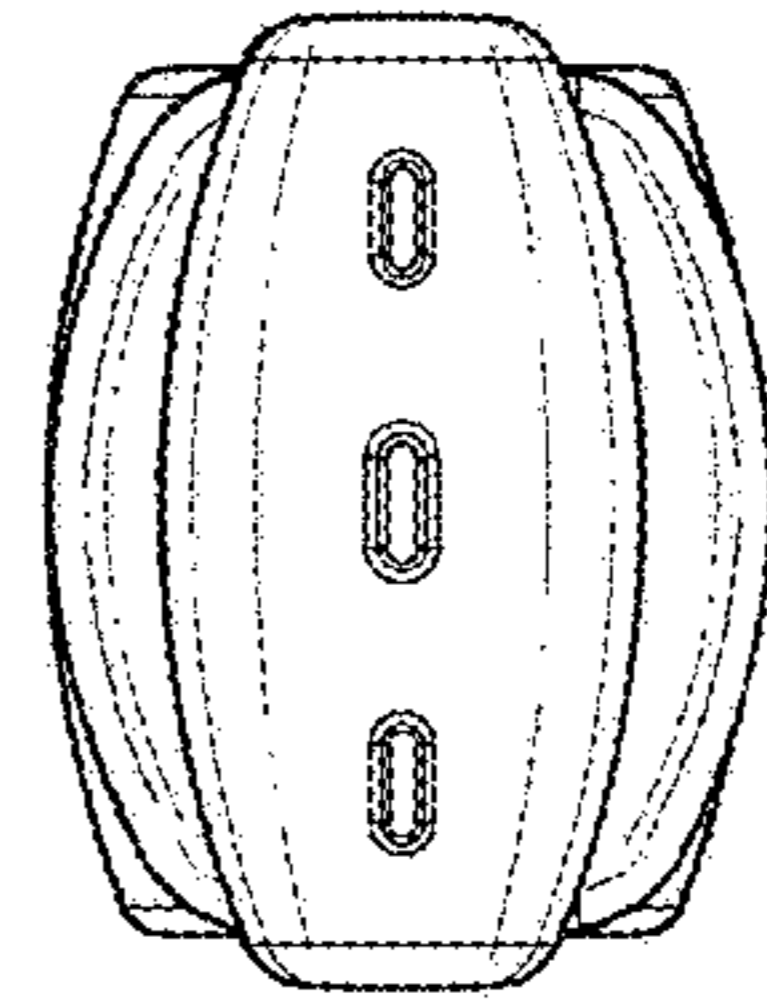
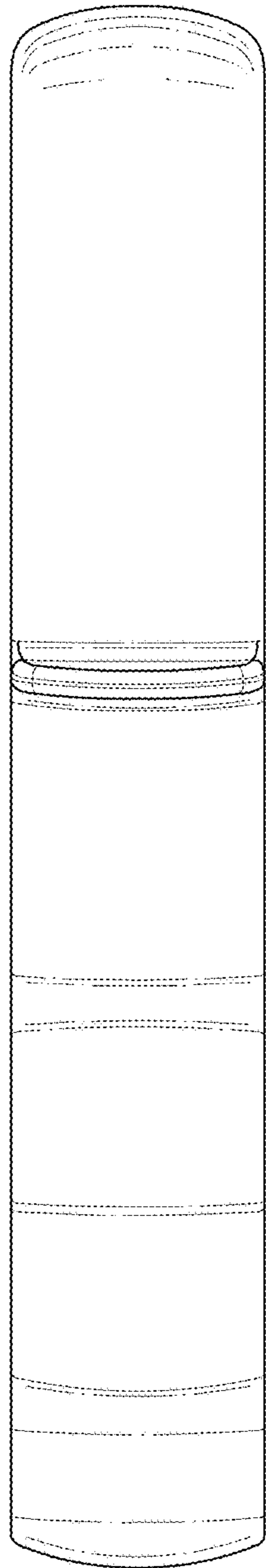
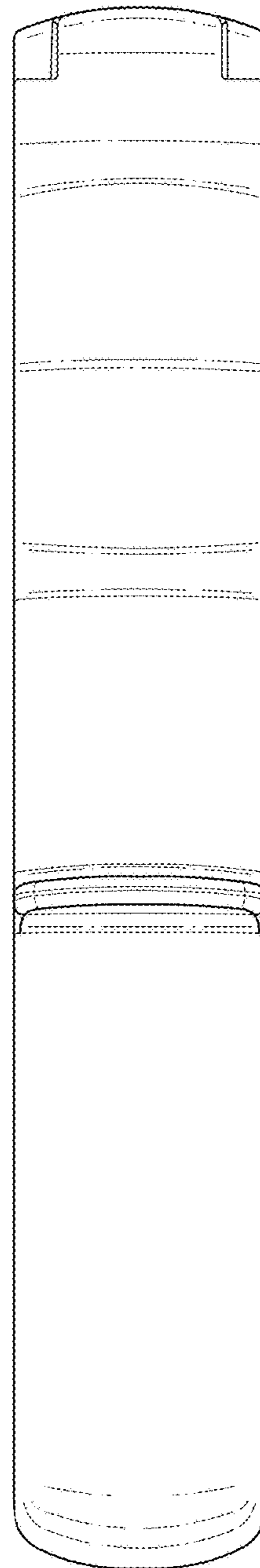


FIG. 17



**FIG. 18**



**FIG. 19**

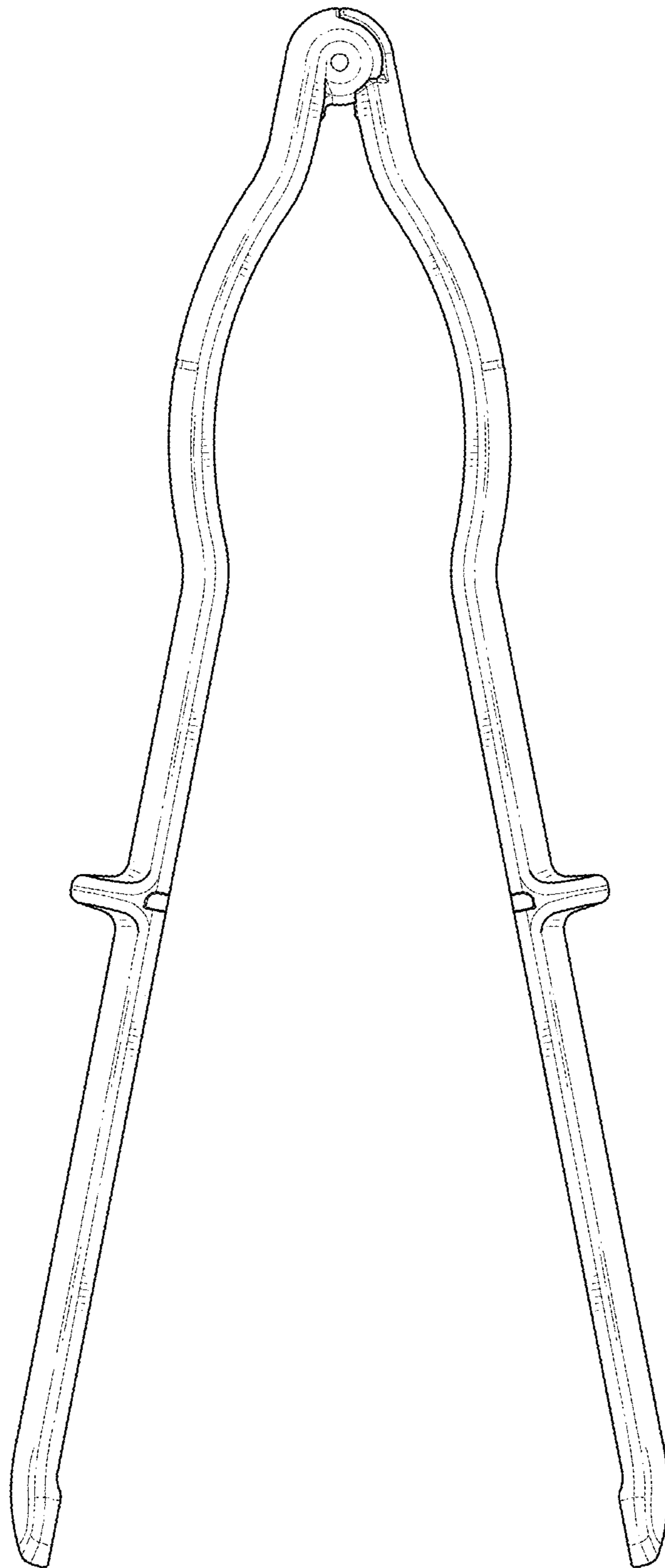


FIG. 20

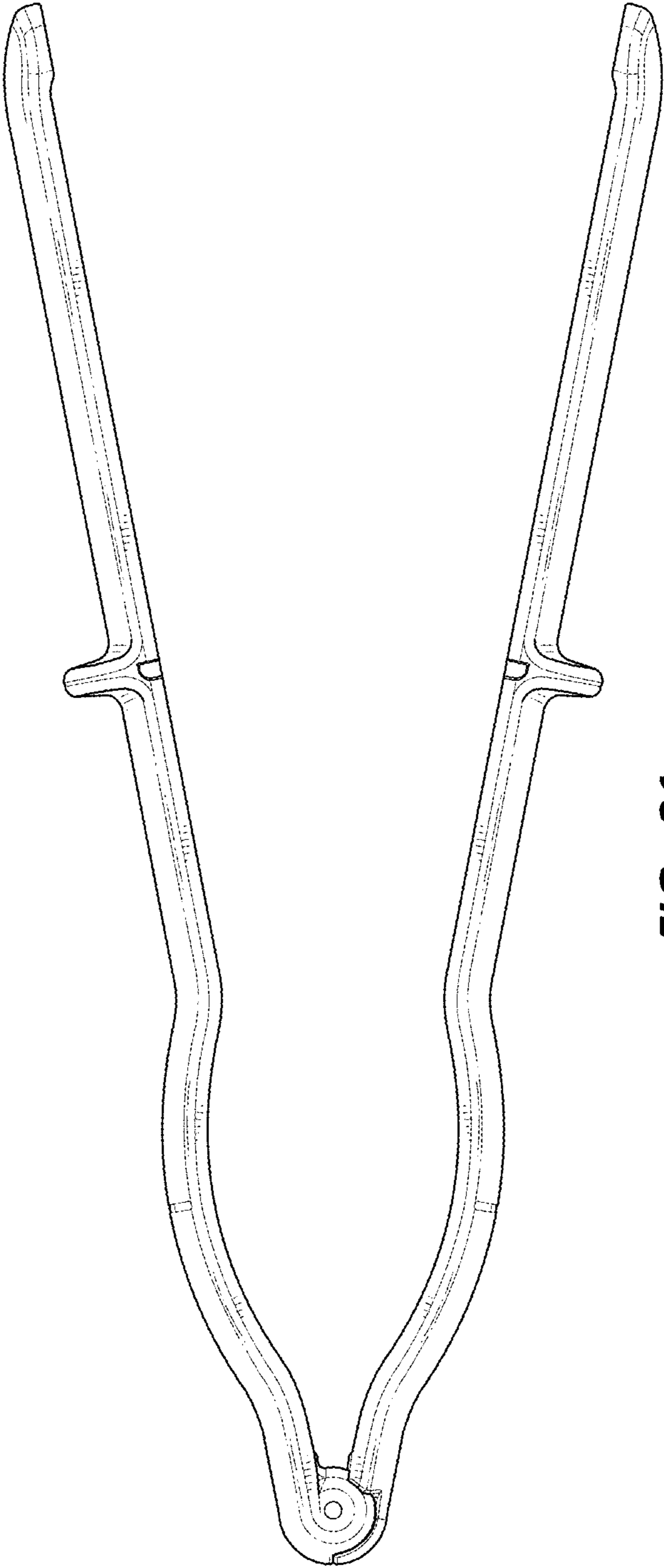
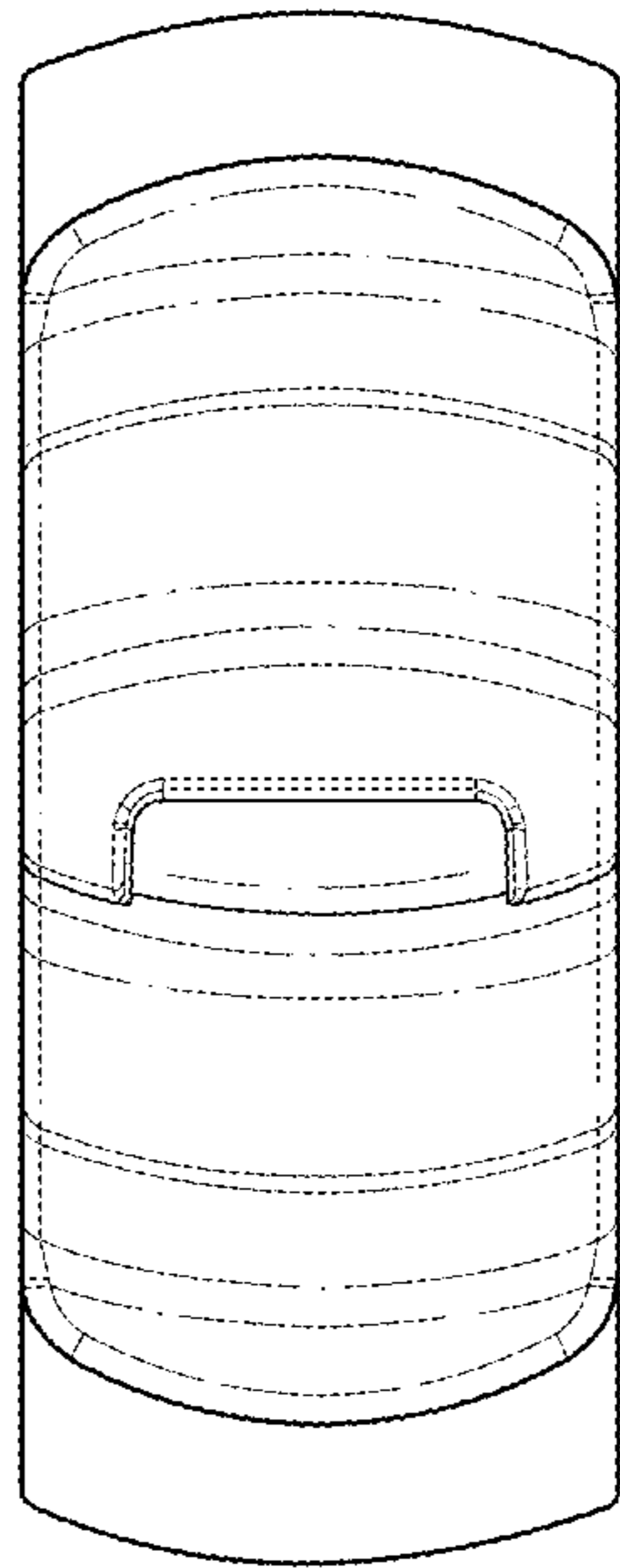
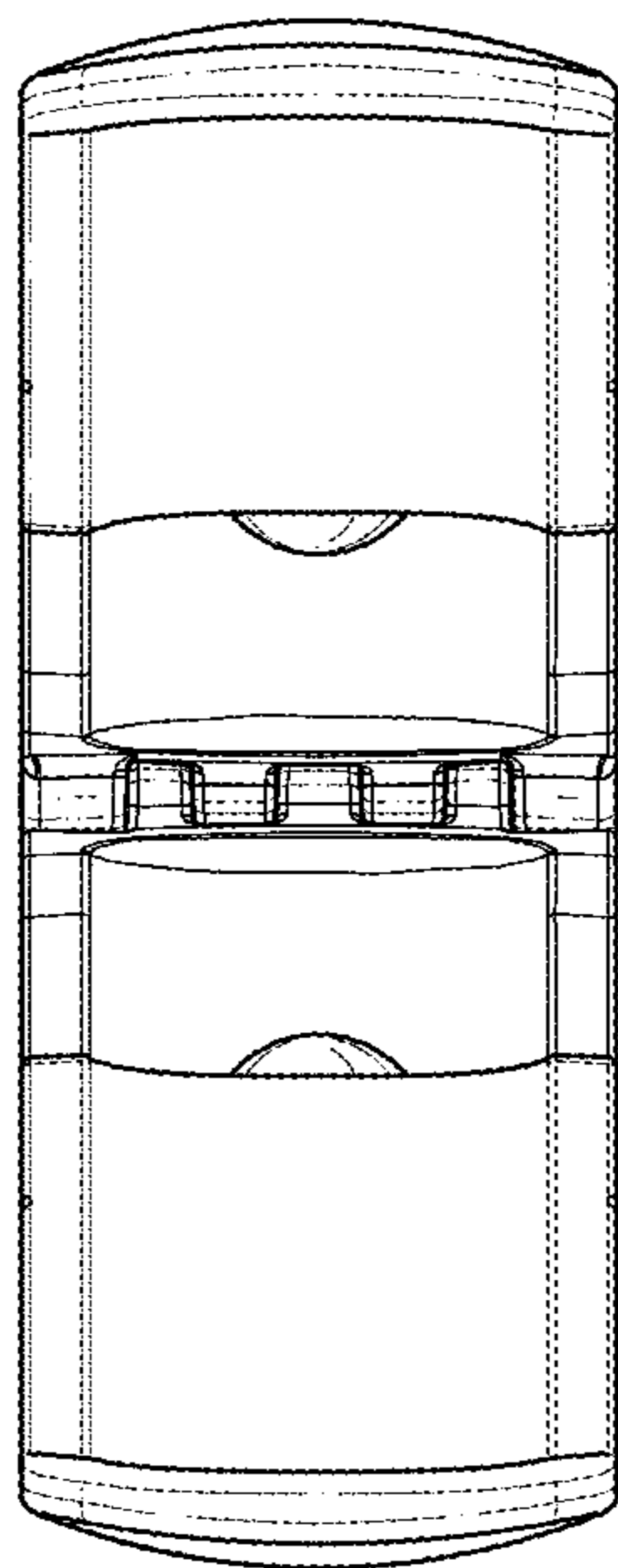


FIG. 21



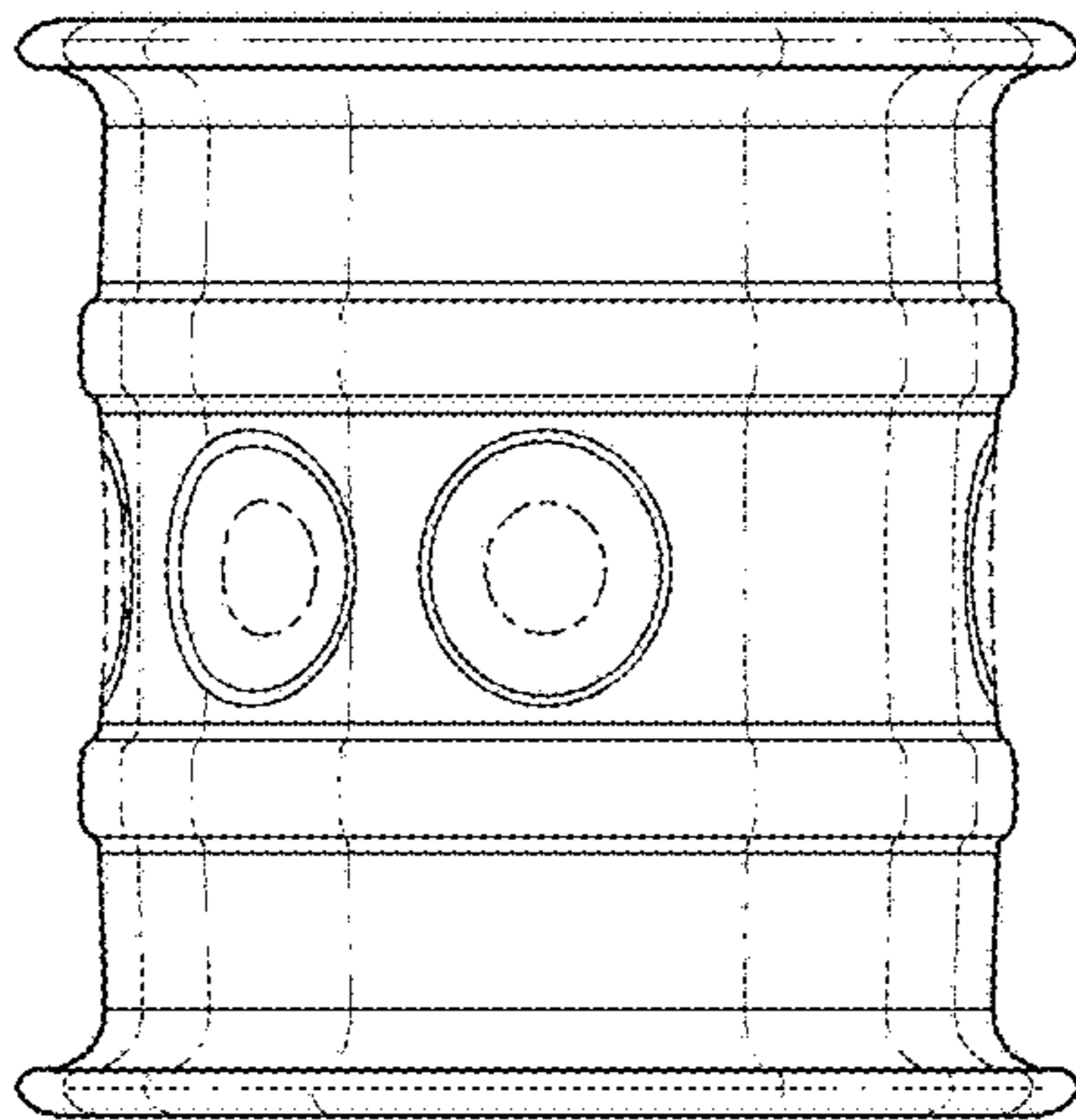
**FIG. 22**



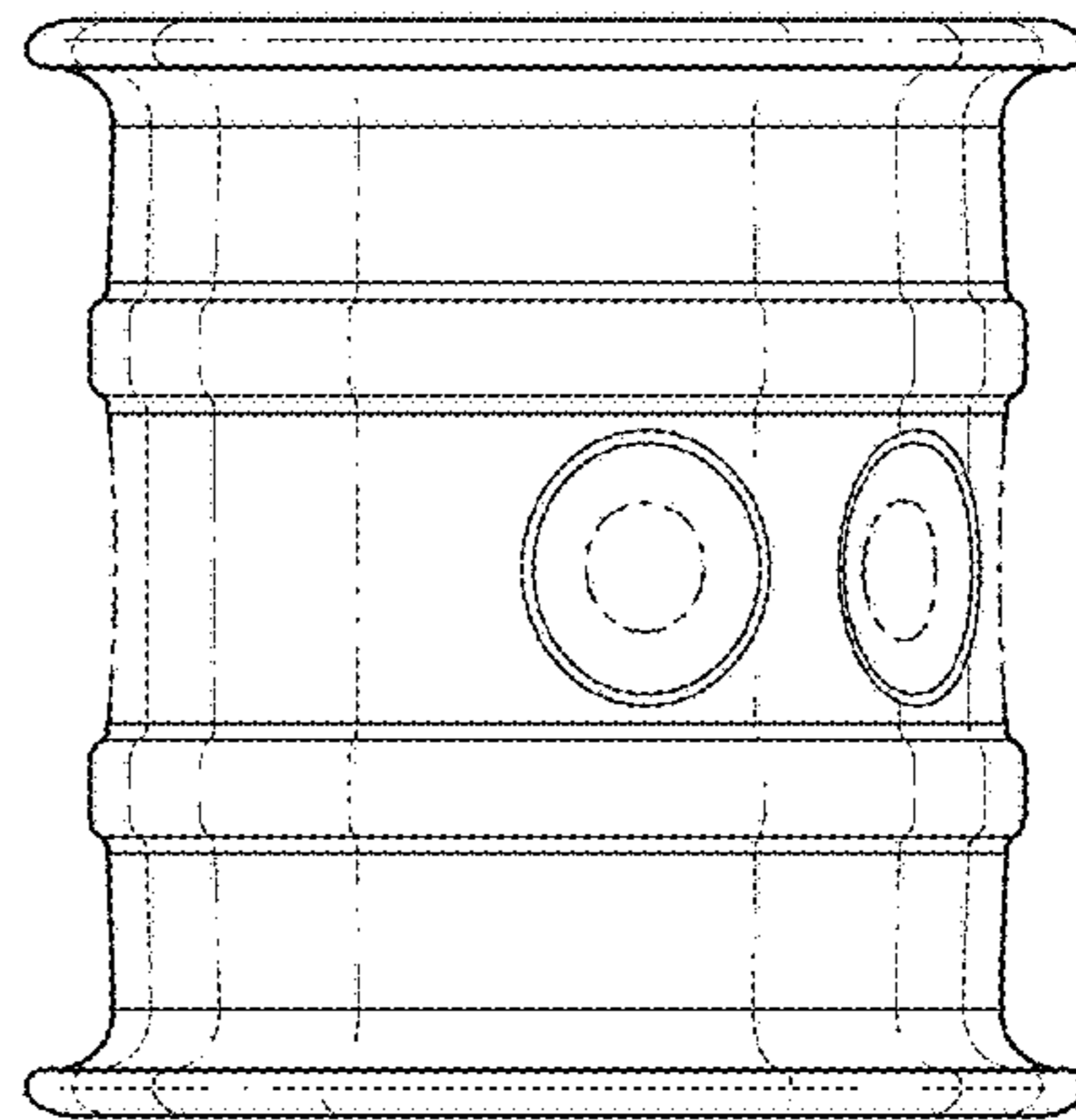
**FIG. 23**



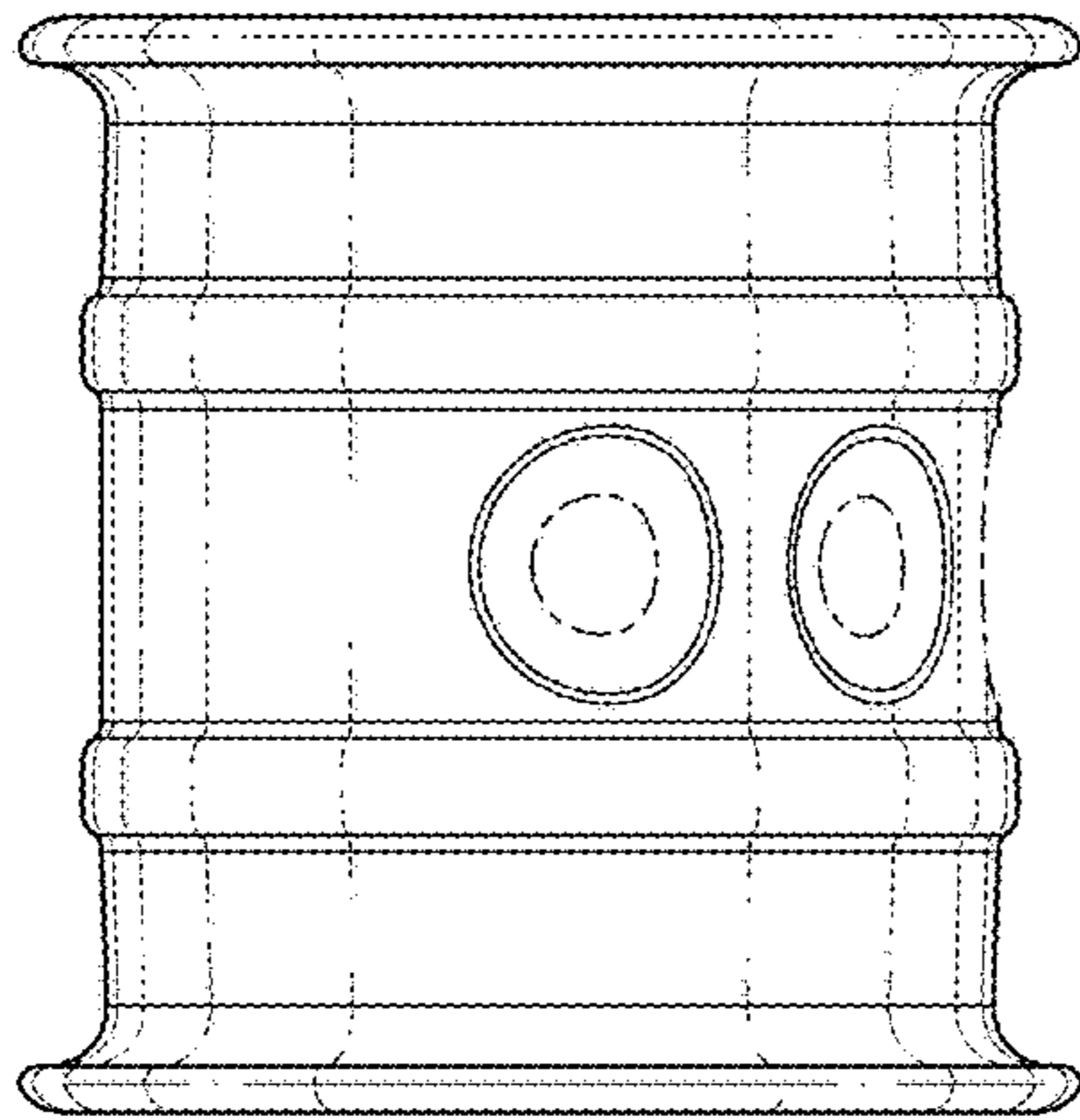
**FIG. 24**



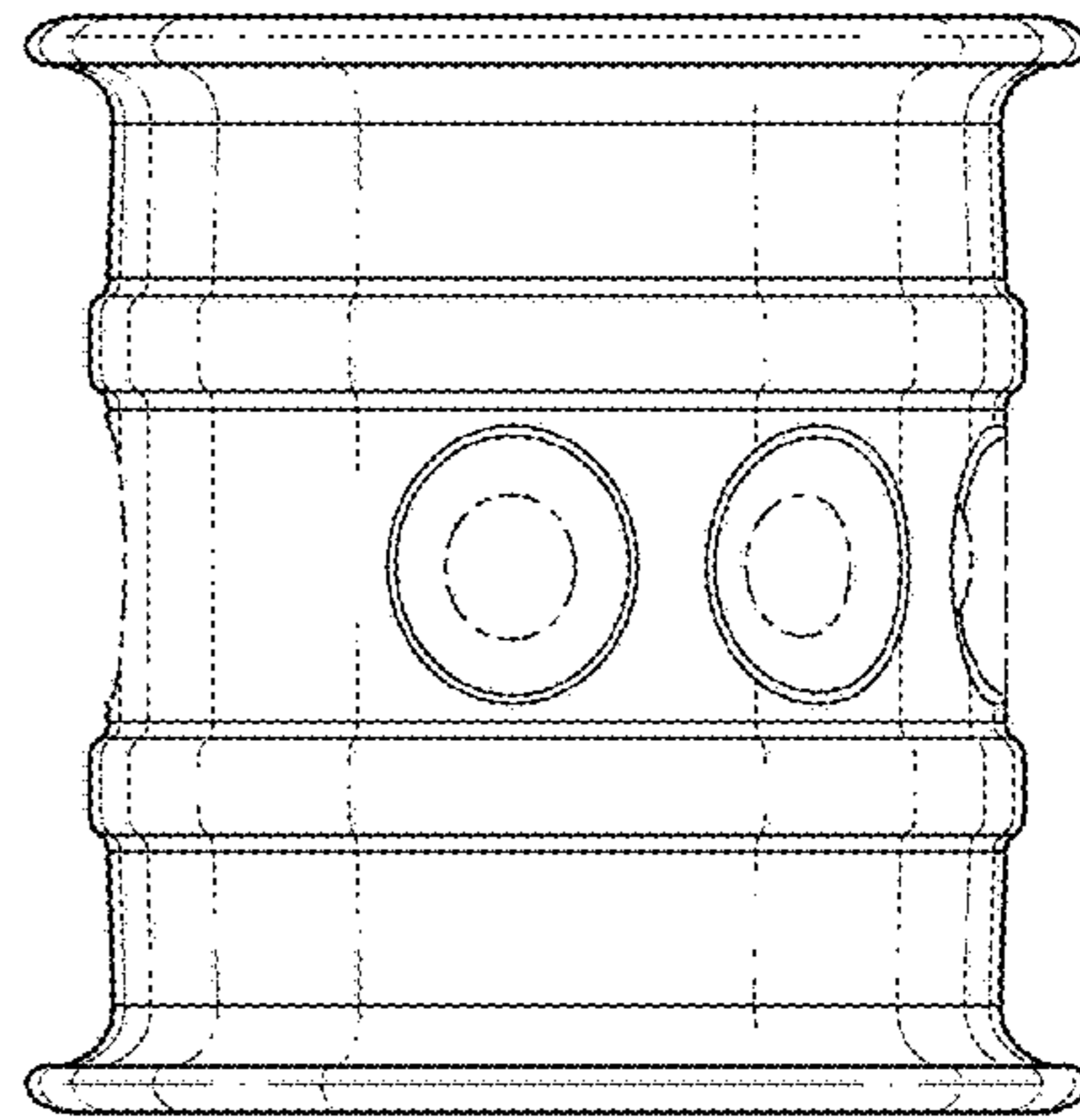
**FIG. 25**



**FIG. 26**



**FIG. 27**



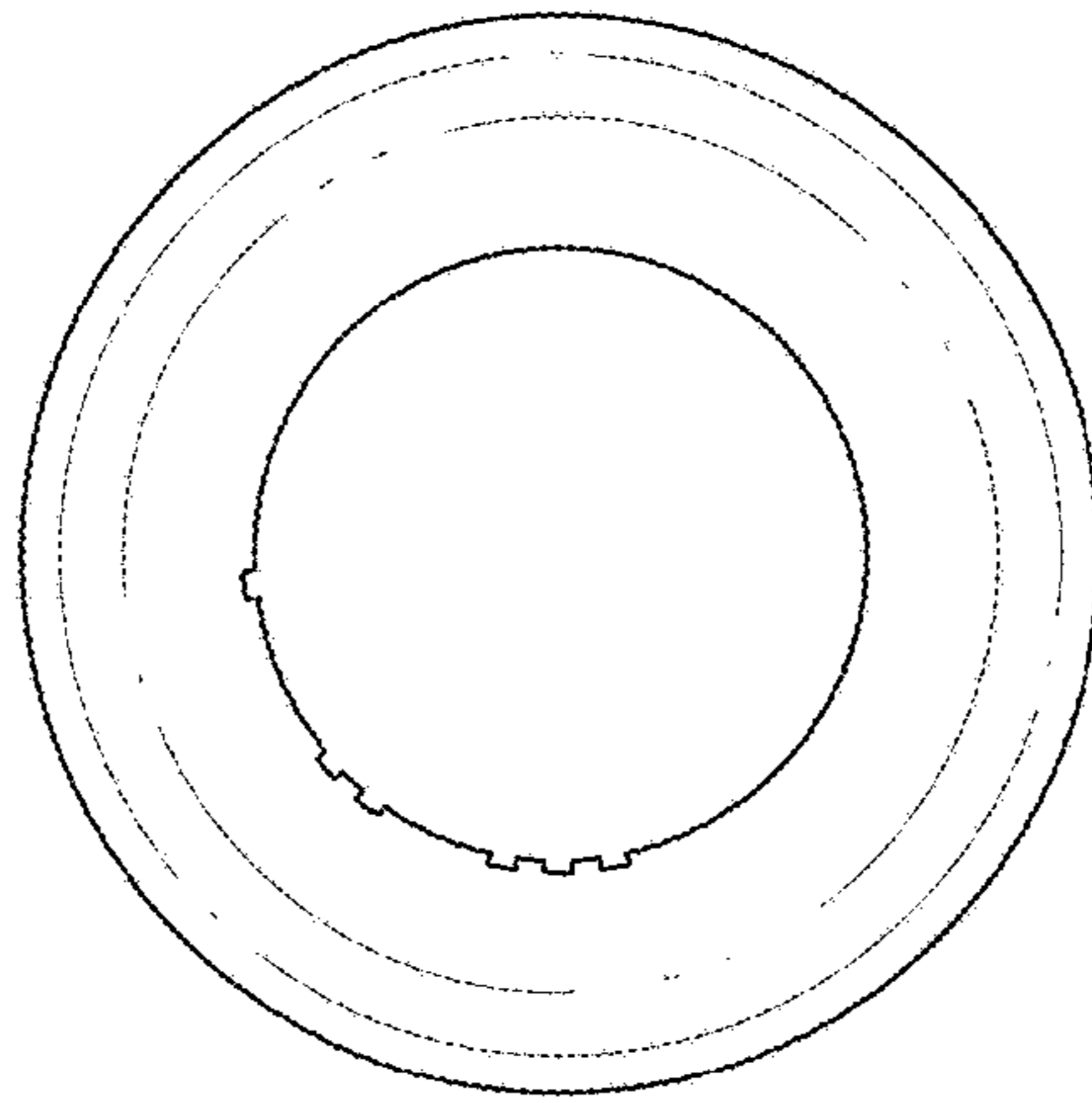


FIG. 29

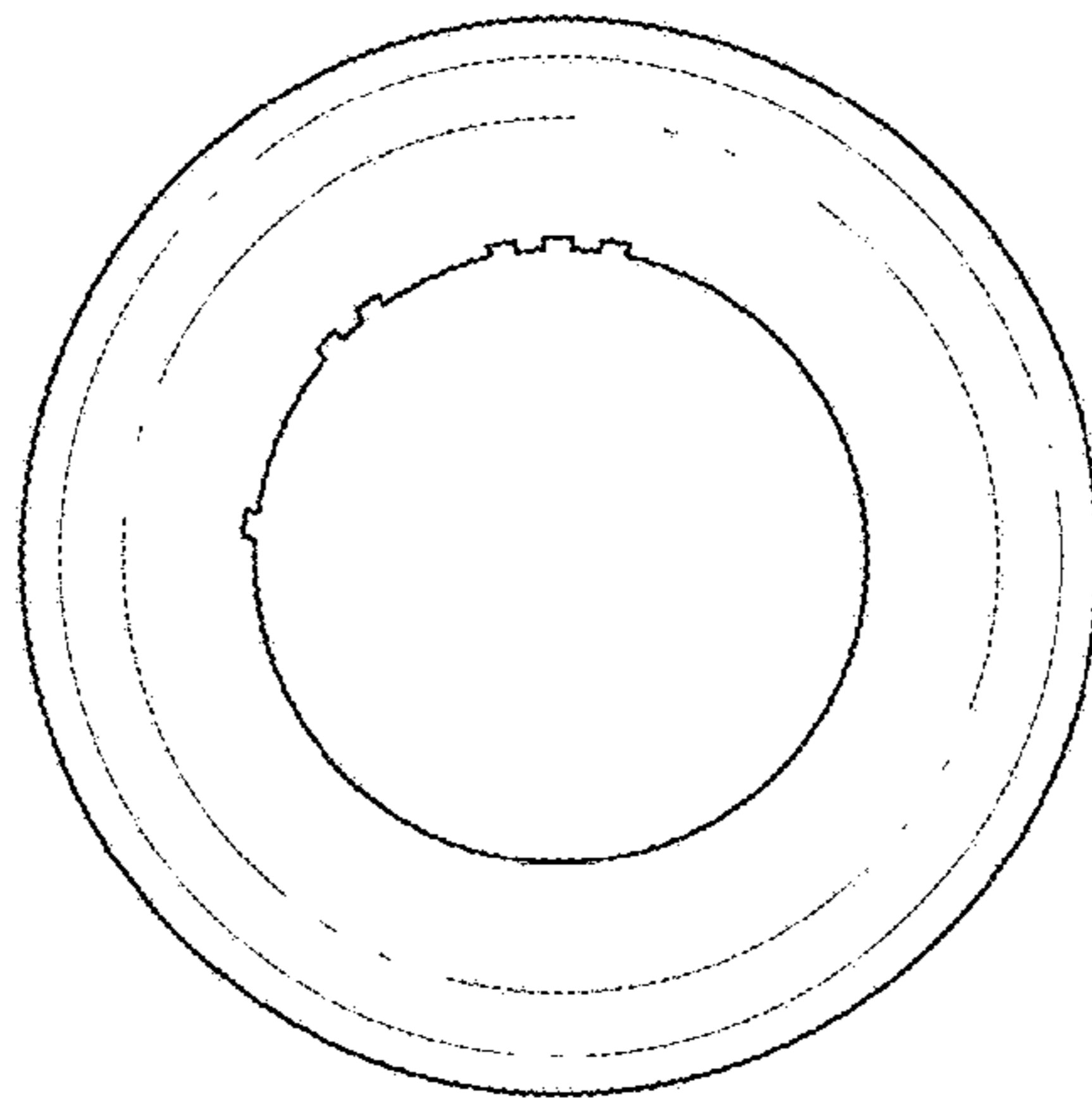


FIG. 28