



US00D810846S

(12) **United States Design Patent** (10) **Patent No.:** **US D810,846 S**  
**Scott et al.** (45) **Date of Patent:** **\*\* Feb. 20, 2018**

(54) **ASSISTED PUSHUP DEVICE**

(56) **References Cited**

(71) Applicant: **Cambelle Limited**, Timaru (NZ)

U.S. PATENT DOCUMENTS

(72) Inventors: **David Kim Scott**, Fielding (NZ);  
**Malcolm Lewis Brown**, Palmerston  
North (NZ); **Cameron Russell Sims**,  
Queensland (NZ)

3,572,701 A 3/1971 Agamian  
D264,987 S \* 6/1982 Wise ..... D21/688  
D418,563 S \* 1/2000 Hwang ..... D21/688  
D446,264 S 8/2001 Fischer  
6,932,749 B2 8/2005 Barnes  
6,976,943 B1 12/2005 Hsiung

(Continued)

(73) Assignee: **Cambelle Limited**, Timaru (NZ)

(\*\*) Term: **14 Years**

FOREIGN PATENT DOCUMENTS

(21) Appl. No.: **29/515,657**

CA 2280303 2/2001  
WO WO 2013/177709 12/2013

(22) Filed: **Jan. 26, 2015**

OTHER PUBLICATIONS

(30) **Foreign Application Priority Data**

Aug. 1, 2014 (NZ) ..... 419128

Arc Nrg by ArcNrg dated no date given. Found online [Oct. 28, 2016]. <https://www.arcnrg.com/>.\*

(51) **LOC (11) Cl.** ..... **21-02**

*Primary Examiner* — Robert M. Spear

(52) **U.S. Cl.**

*Assistant Examiner* — Ryan Harvey

USPC ..... **D21/688**

(74) *Attorney, Agent, or Firm* — Merchant & Gould P.C.

(58) **Field of Classification Search**

(57) **CLAIM**

USPC ... 482/106, 51, 93, 109, 110, 139, 142, 148,  
482/44, 45, 46, 141, 95, 50, 129, 127;  
D21/680, 798, 692, 662, 804, 686, 671,  
D21/691, 682, 694, 687, 654, 487, 679,  
D21/684, 688, 412, 685, 400, 791, 725,  
D21/386; D24/188, 211, 141, 215, 190,  
D24/200, 231, 106, 171; D30/160, 119;  
D6/601, 598, 604, 691.4, 597, 348, 361,  
D6/596, 606; 601/112, 121, 122, 46, 15,  
601/19, 120, 134, 135, 131; 220/4.07,  
220/4.24, 4.27, 666; D3/307, 290, 299,  
D3/289, 287, 254, 246; 476/256, 519,  
476/549, 558, 559, 564, 118, 457, 219,  
476/513, 560, 568, 409

The ornamental design for an assisted pushup device, as shown and described.

**DESCRIPTION**

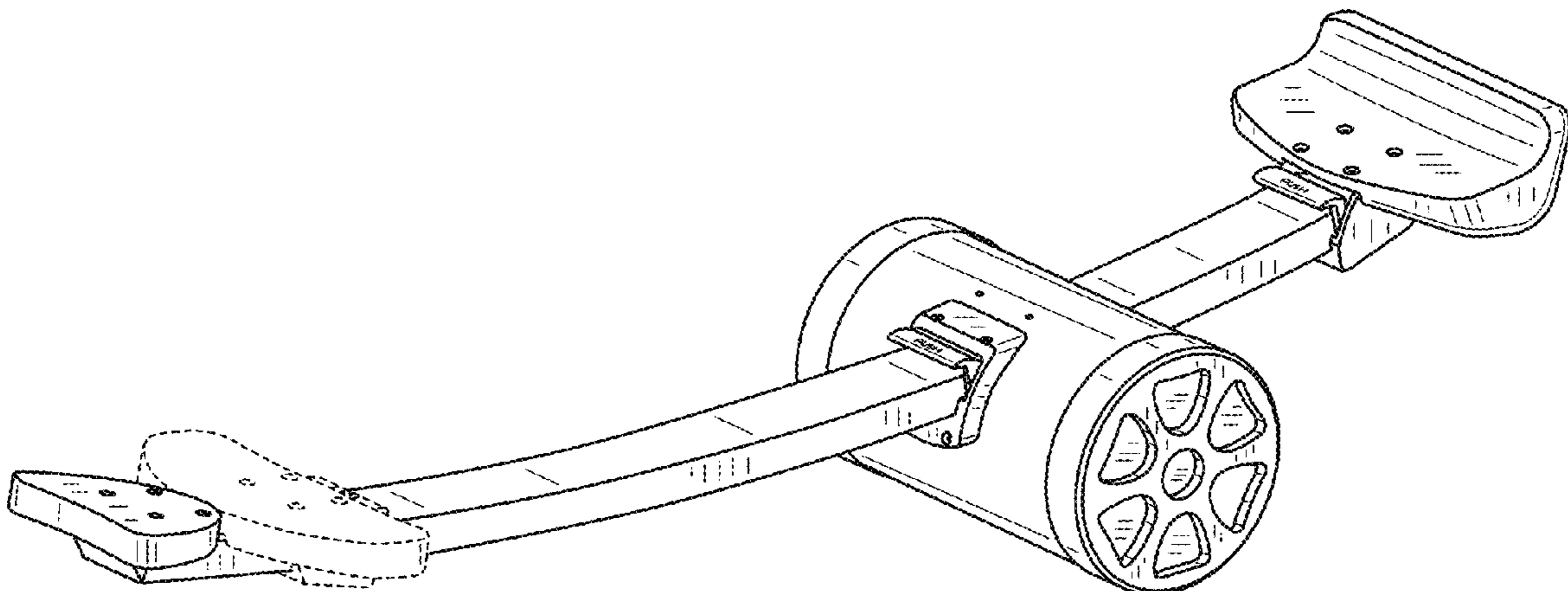
CPC ..... A61H 15/0092; A61H 15/00; A61H  
2201/0207; A61H 23/0263; A61H  
2205/081; A61H 7/001; A61H 2201/1669;  
A61H 2015/0014; A61H 2201/1284

FIG. 1 is a bottom view showing our design;  
FIG. 2 is a front end view;  
FIG. 3 is a left view showing a second position for clarity of disclosure;  
FIG. 4 is a left side view;  
FIG. 5 is a perspective view;  
FIG. 6 is a rear view; and,  
FIG. 7 is a top view thereof.

The broken line showing of portions of the assisted pushup device depicts environment and forms no part of the claim.

See application file for complete search history.

**1 Claim, 7 Drawing Sheets**



(56)

**References Cited**

U.S. PATENT DOCUMENTS

7,060,014	B2	6/2006	Bergman et al.	
D528,614	S	9/2006	McVay	
D564,604	S *	3/2008	Mikail .....	D21/688
D566,798	S	4/2008	Dibble	
D591,803	S	5/2009	Carbone	
7,942,795	B2	5/2011	Harris	
D650,870	S	12/2011	Citterio	
D659,204	S	5/2012	Cotter	
D659,777	S	5/2012	Watterson	
D739,901	S *	9/2015	Almarales .....	D21/688
D741,963	S *	10/2015	Baumann .....	D21/688
D750,183	S *	2/2016	Heath .....	D21/686
D753,253	S *	4/2016	Chiu .....	D21/688
9,468,800	B2 *	10/2016	Guerrero .....	A63B 23/0211
2008/0045390	A1	2/2008	Harms	
2010/0022362	A1	1/2010	MacDonald	
2010/0273617	A1 *	10/2010	Mills .....	A63B 23/0211 482/140
2011/0009250	A1	1/2011	Barringer	
2012/0302413	A1	11/2012	Katz	

\* cited by examiner

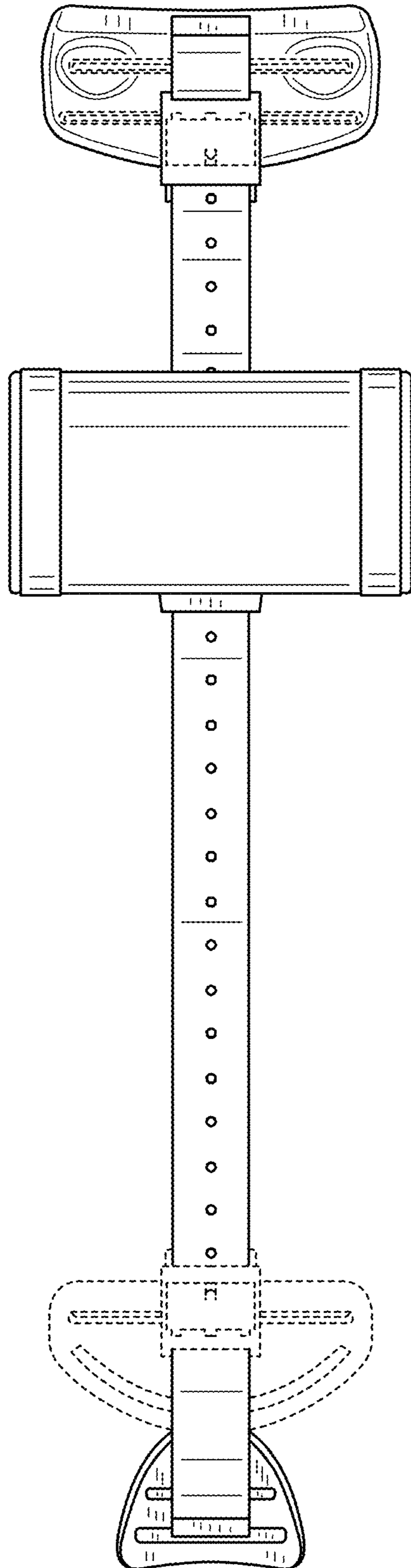


FIG.1

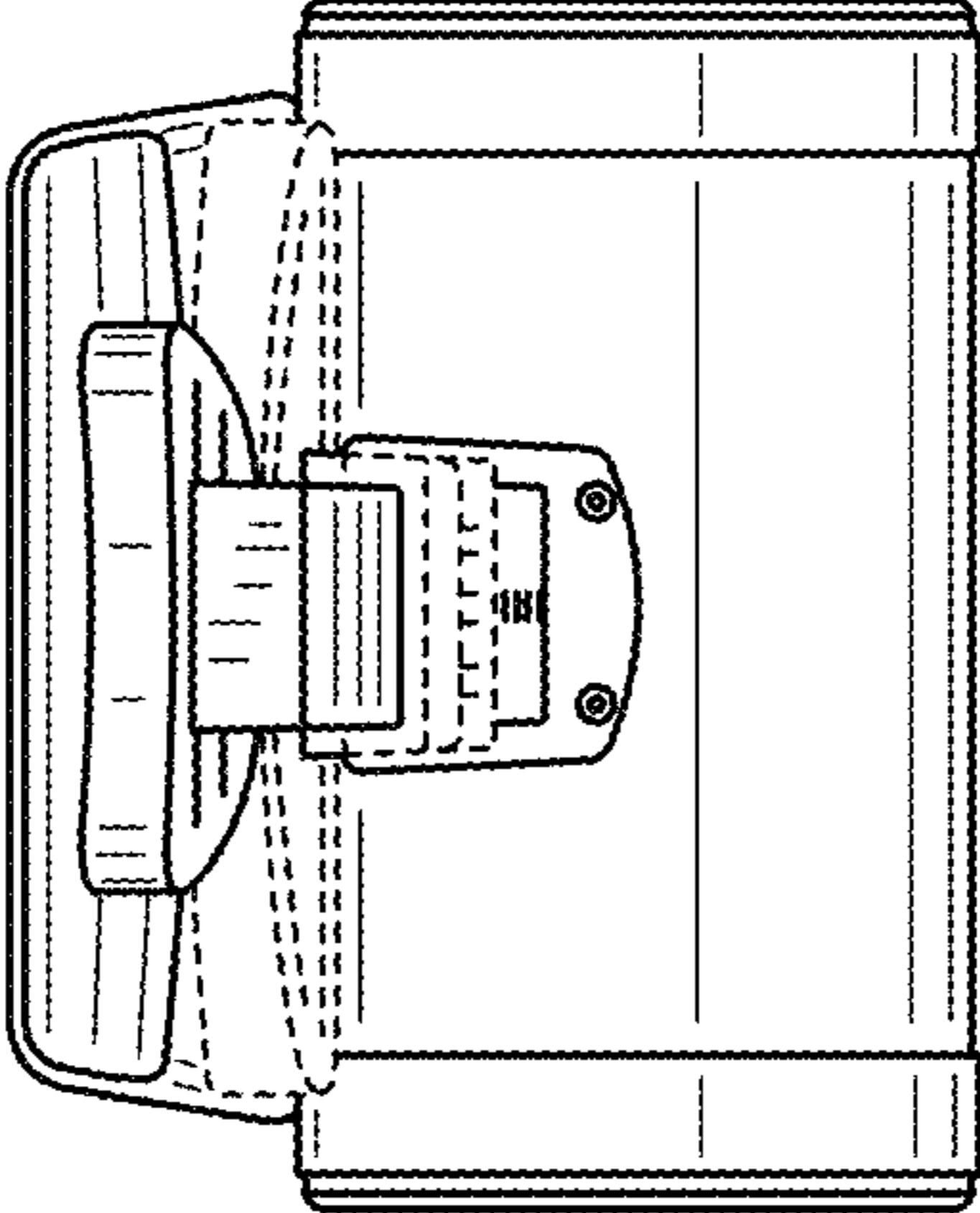


FIG.2

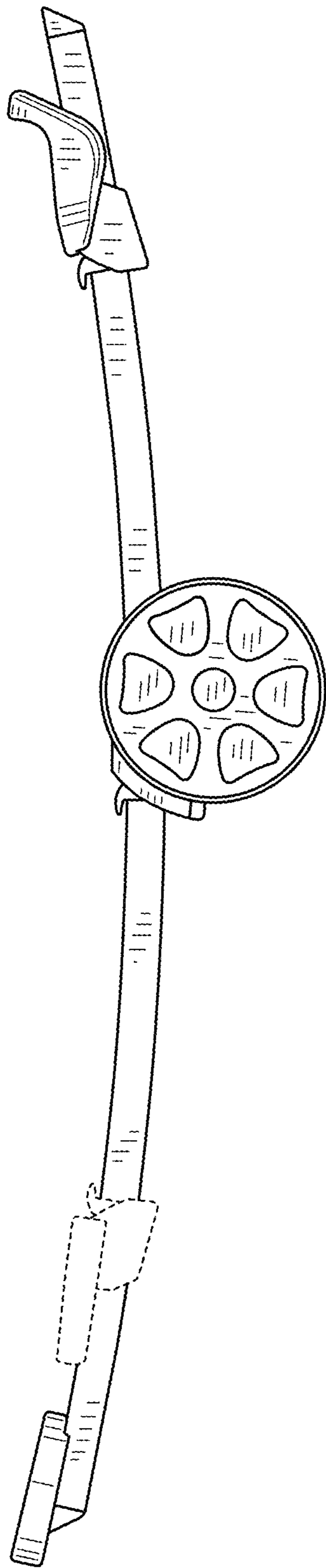


FIG.3

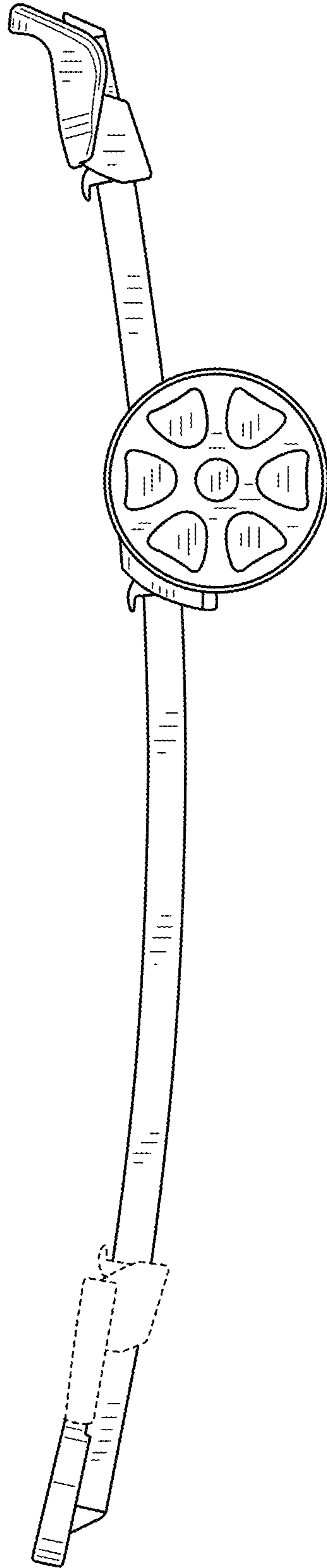


FIG.4

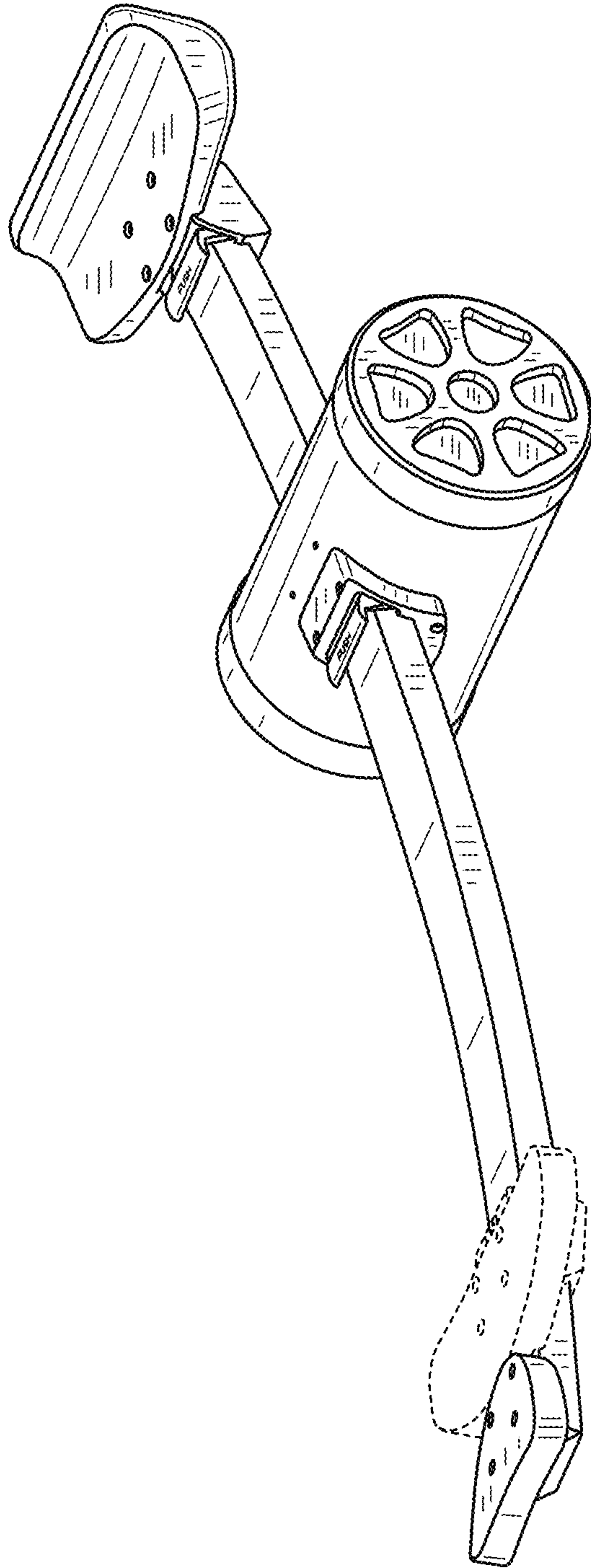


FIG.5

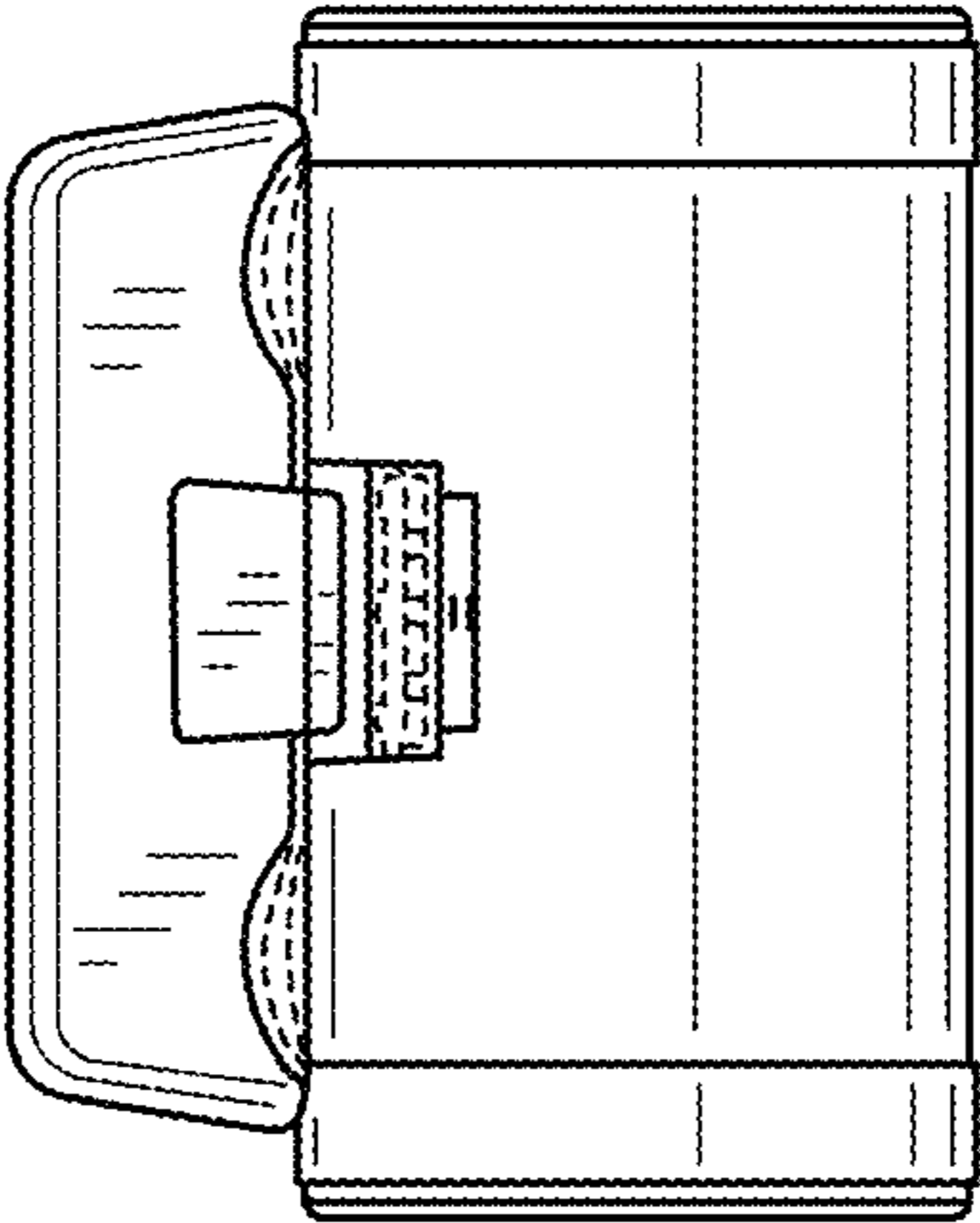


FIG.6



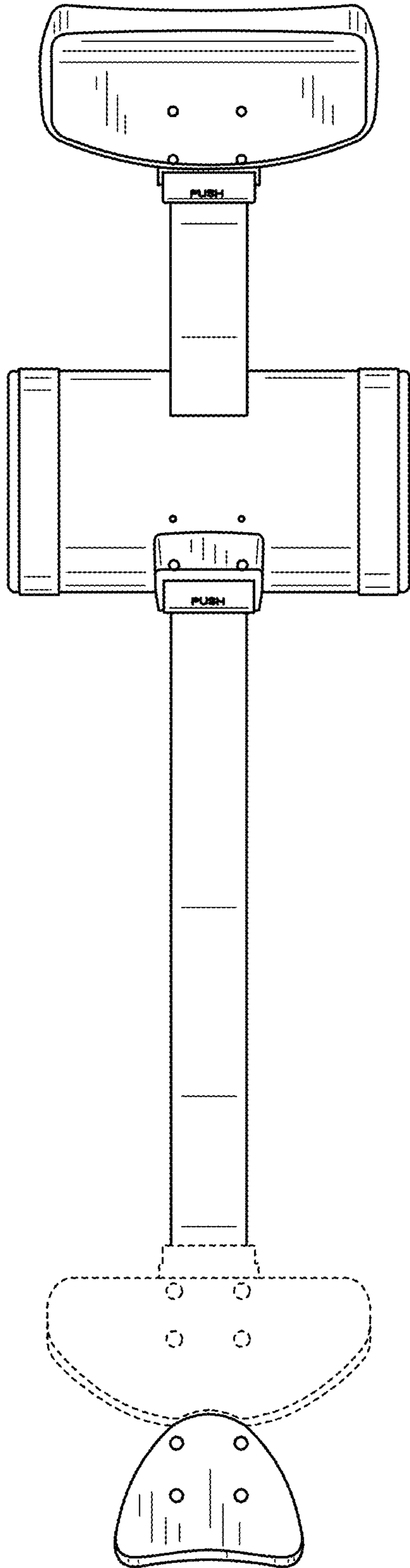


FIG.7