



US00D810844S

(12) **United States Design Patent**
Hao

(10) **Patent No.:** **US D810,844 S**

(45) **Date of Patent:** **** Feb. 20, 2018**

(54) **HAND GRIP EXERCISER**

(71) Applicant: **Dyaco International Inc.**, Taipei (TW)

(72) Inventor: **Kuo-Wo Hao**, Taipei (TW)

(73) Assignee: **Dyaco International Inc.**, Taipei (TW)

(**) Term: **15 Years**

(21) Appl. No.: **29/590,313**

(22) Filed: **Jan. 9, 2017**

(30) **Foreign Application Priority Data**

Dec. 29, 2016 (TW) 105308016

(51) **LOC (11) Cl.** **21-02**

(52) **U.S. Cl.**
USPC **D21/684**

(58) **Field of Classification Search**
USPC 482/47, 45, 49, 48, 44, 121, 105, 122,
482/128, 112, 141, 51, 66, 70, 126, 46,
482/107, 8, 901, 139, 108, 82, 106, 594,
482/124, 131, 11, 93, 97; D21/684, 692,
D21/662, 679, 693, 714, 682; 127/45;
D11/133; D19/97, 82, 96; D27/156;
D32/35; D22/112; 73/379.03; 84/465,
84/265; D8/303; D24/211; 74/558;
601/125, 133, 135, 137, 204, 38;
473/594

CPC A63B 21/0552; A63B 2208/0204; A63B
22/001; A63B 21/00069; A63B 23/12

See application file for complete search history.

(56) **References Cited**

U.S. PATENT DOCUMENTS

D264,737 S * 6/1982 Cooper D21/684
5,360,385 A * 11/1994 Wang A63B 23/16
482/126

D358,857 S * 5/1995 Yang D21/684
5,833,580 A * 11/1998 Chiu A63B 23/16
482/126
D418,561 S * 1/2000 Cousins D21/684
6,063,006 A * 5/2000 Chiu A63B 23/16
482/126
6,319,175 B1 * 11/2001 Wu A63B 21/023
482/126
D457,409 S * 5/2002 Noniewicz D8/395
D460,505 S * 7/2002 Yang D21/684
6,786,849 B1 * 9/2004 Faulconer A63B 21/0004
482/121
D505,169 S * 5/2005 Kuo D21/684
D521,086 S * 5/2006 Faulconer D21/684
7,077,787 B1 * 7/2006 Wiesman A63B 21/025
482/127
D561,850 S * 2/2008 Yang D21/684
D626,188 S * 10/2010 Bisson D21/684
7,824,311 B1 * 11/2010 Hsu A63B 21/4047
482/126
D633,157 S * 2/2011 Knapp D21/684

(Continued)

Primary Examiner — Robert M. Spear

Assistant Examiner — Ryan Harvey

(74) *Attorney, Agent, or Firm* — Donald E. Stout; Stout,
Uxa & Buyan, LLP

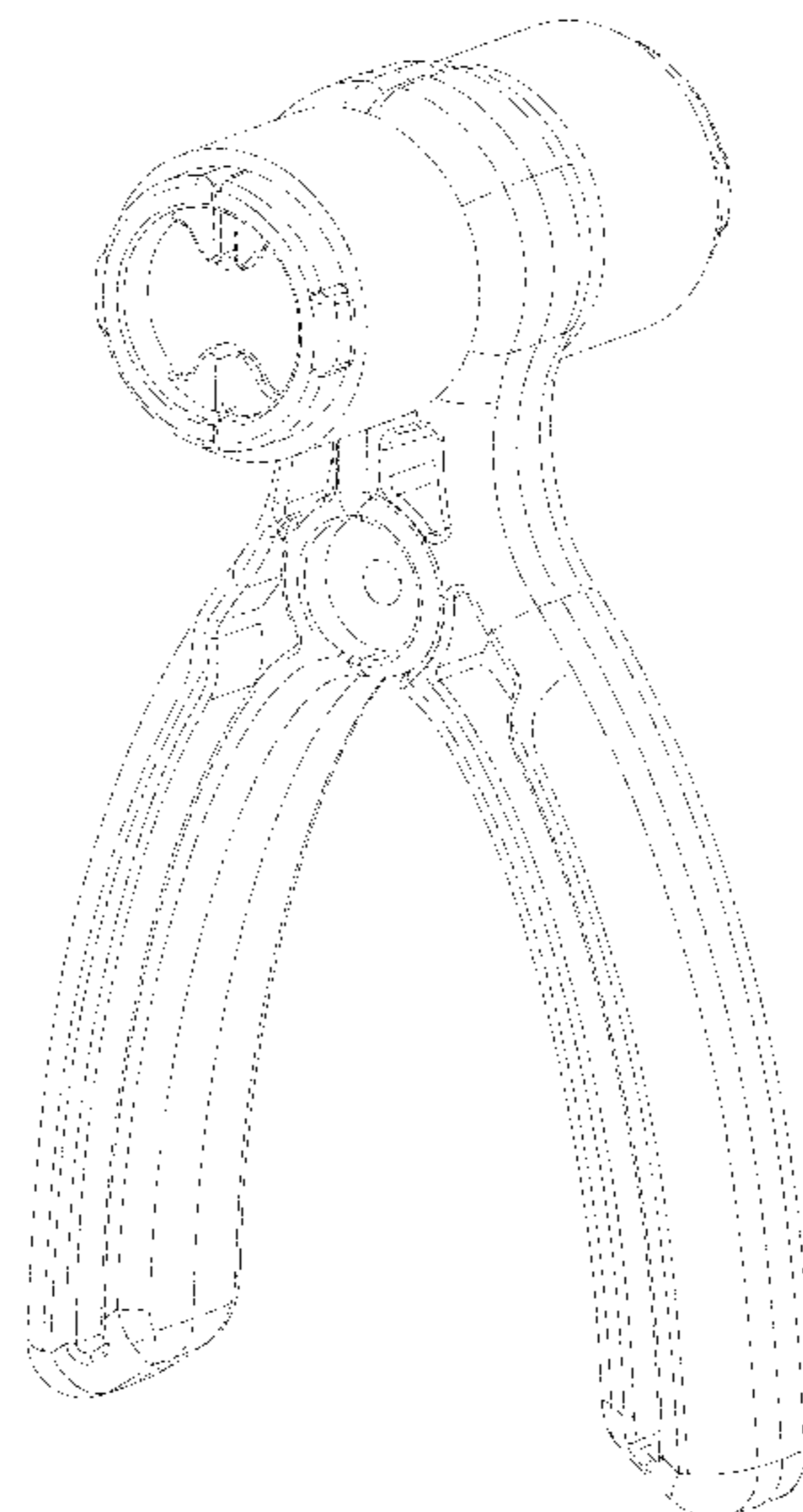
(57) **CLAIM**

The ornamental design for a hand grip exerciser, as shown
and described.

DESCRIPTION

FIG. 1 is a perspective view of a design for a hand grip
exerciser showing my new design;
FIG. 2 is a front elevational view.
FIG. 3 is a rear elevational view.
FIG. 4 is a left side elevational view.
FIG. 5 is a right side elevational view.
FIG. 6 is a top plan view; and,
FIG. 7 is a bottom plan view.

1 Claim, 7 Drawing Sheets



(56)

References Cited

U.S. PATENT DOCUMENTS

D671,179 S * 11/2012 Chang D21/684
2016/0354628 A1 * 12/2016 Hao A63B 21/023

* cited by examiner

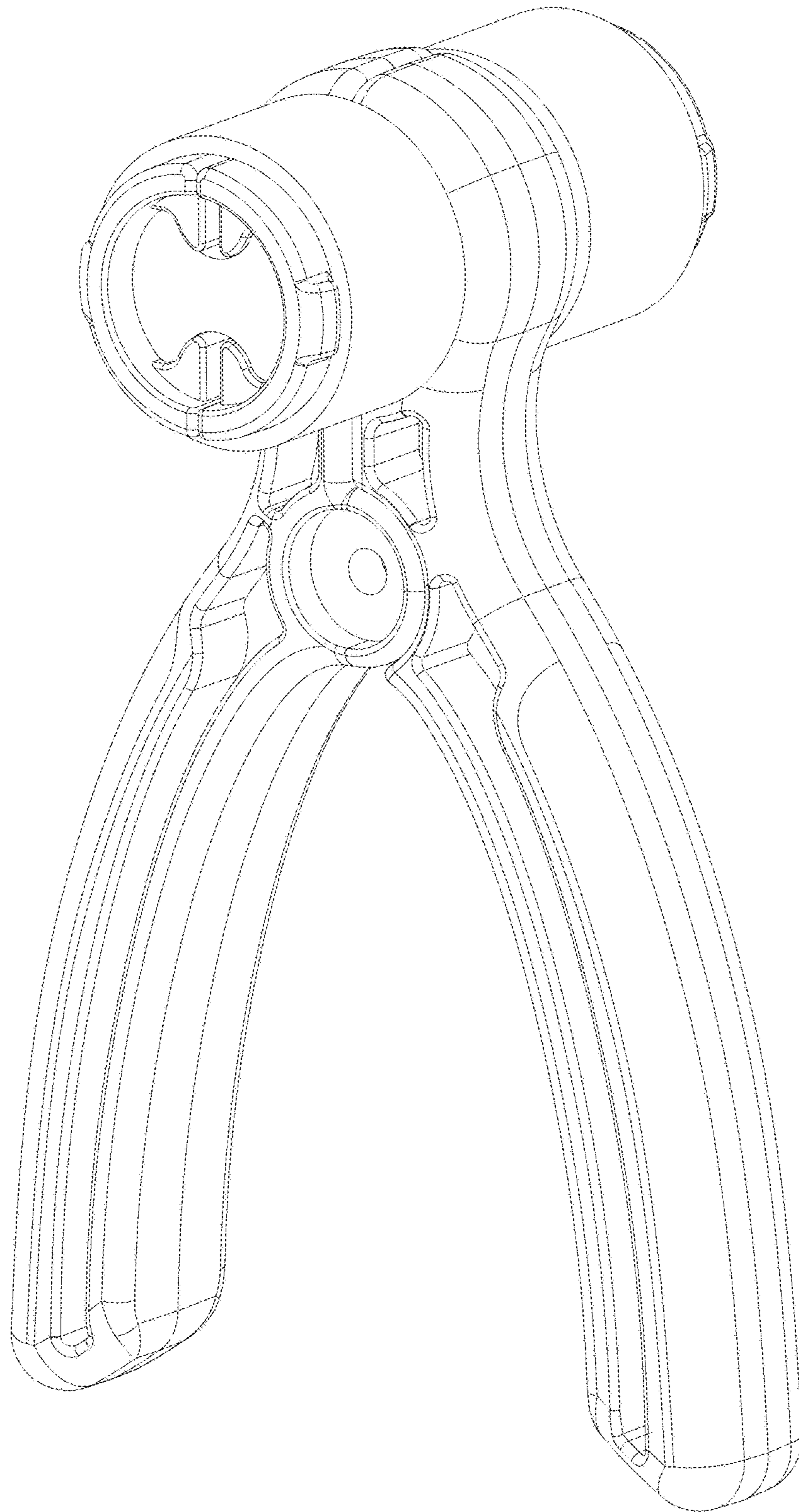


FIG.1

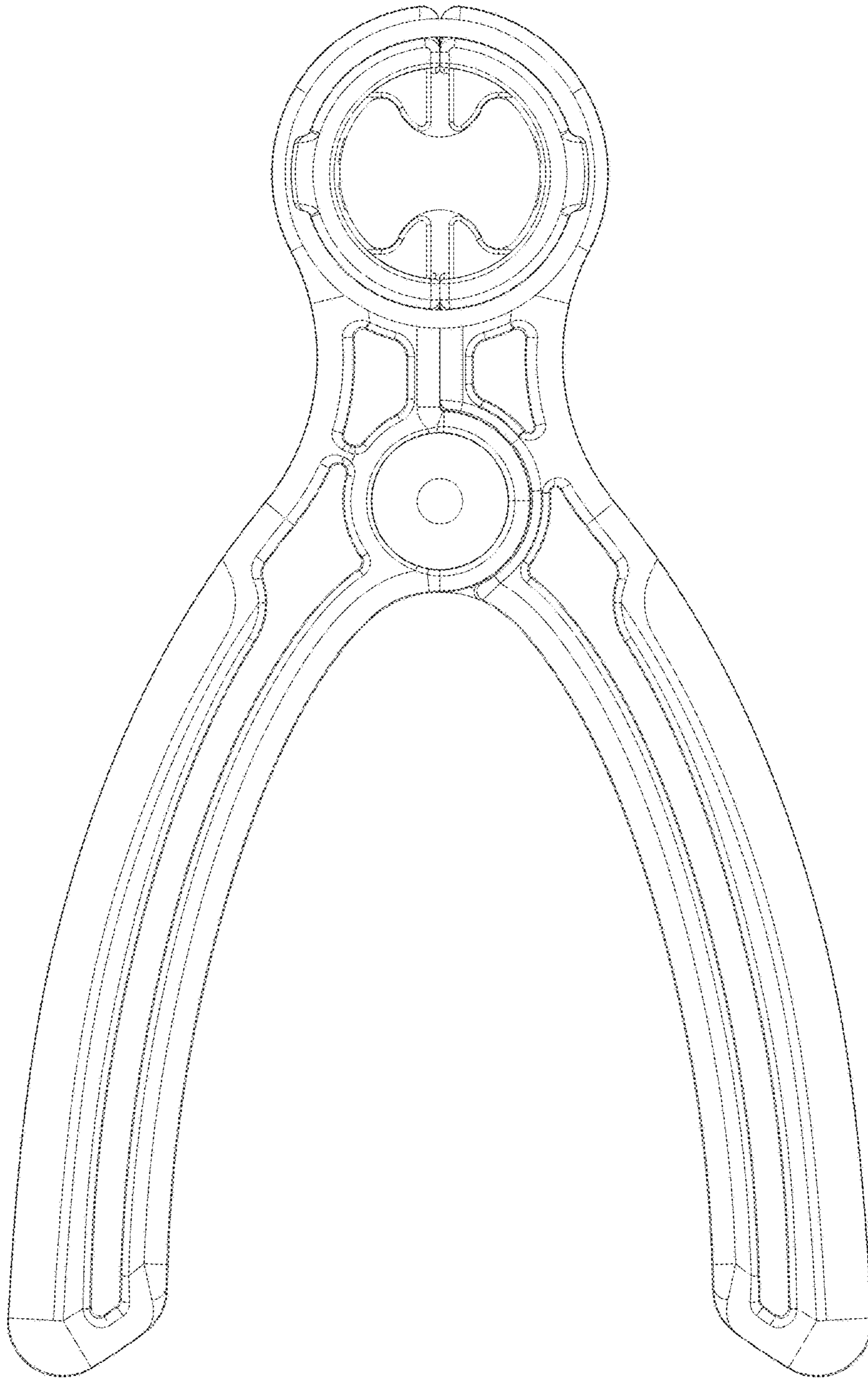


FIG.2

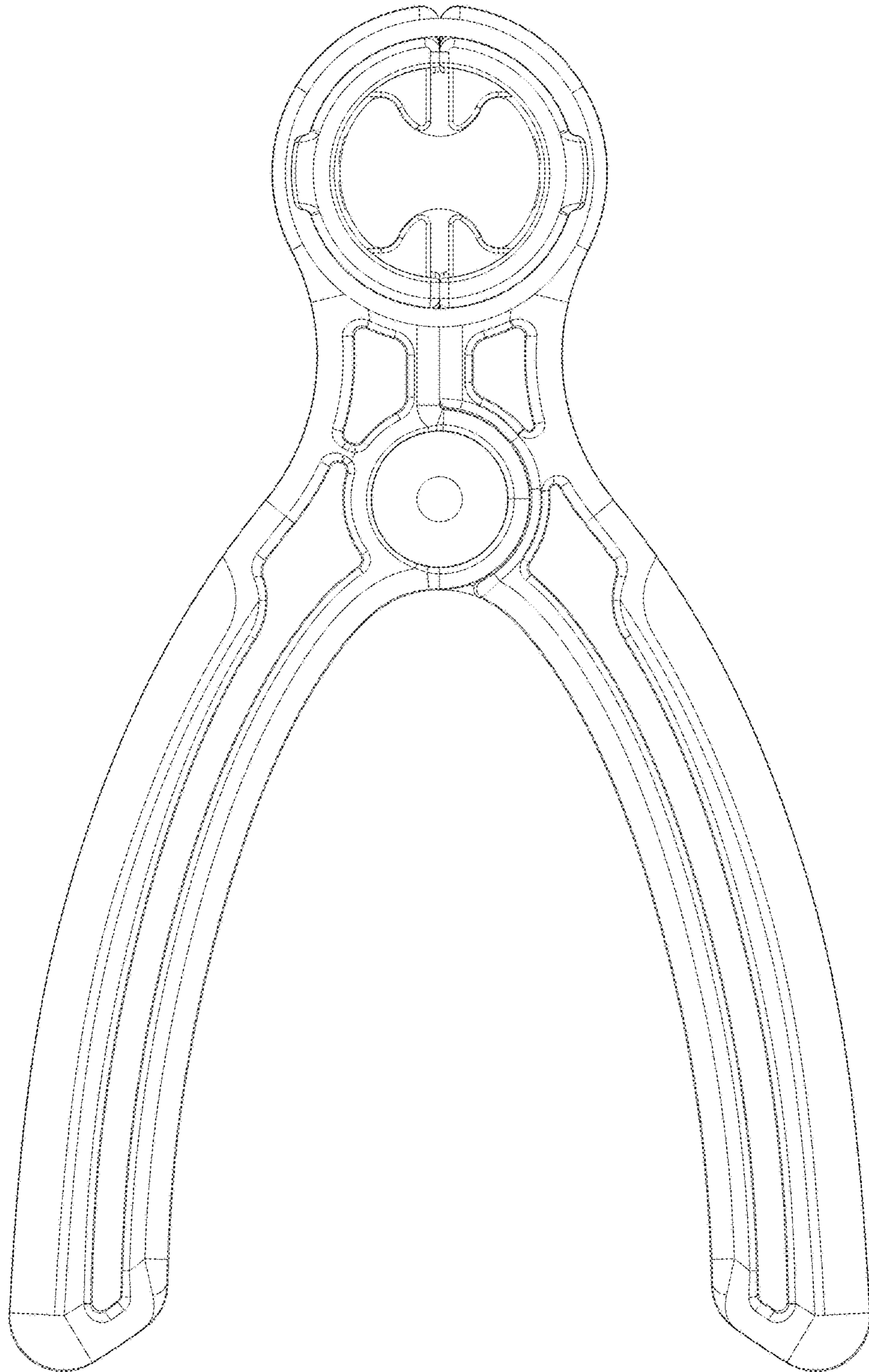


FIG.3

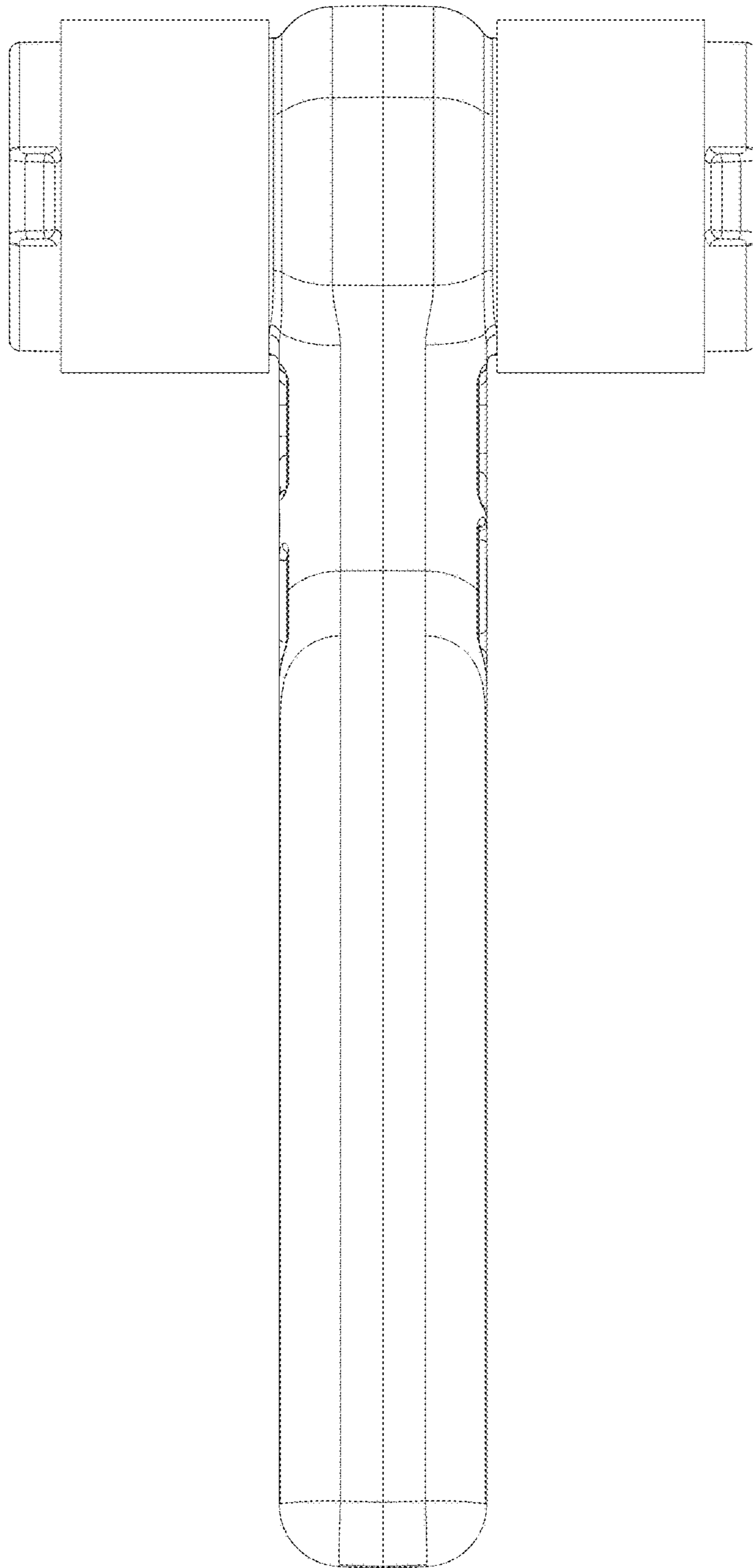


FIG.4

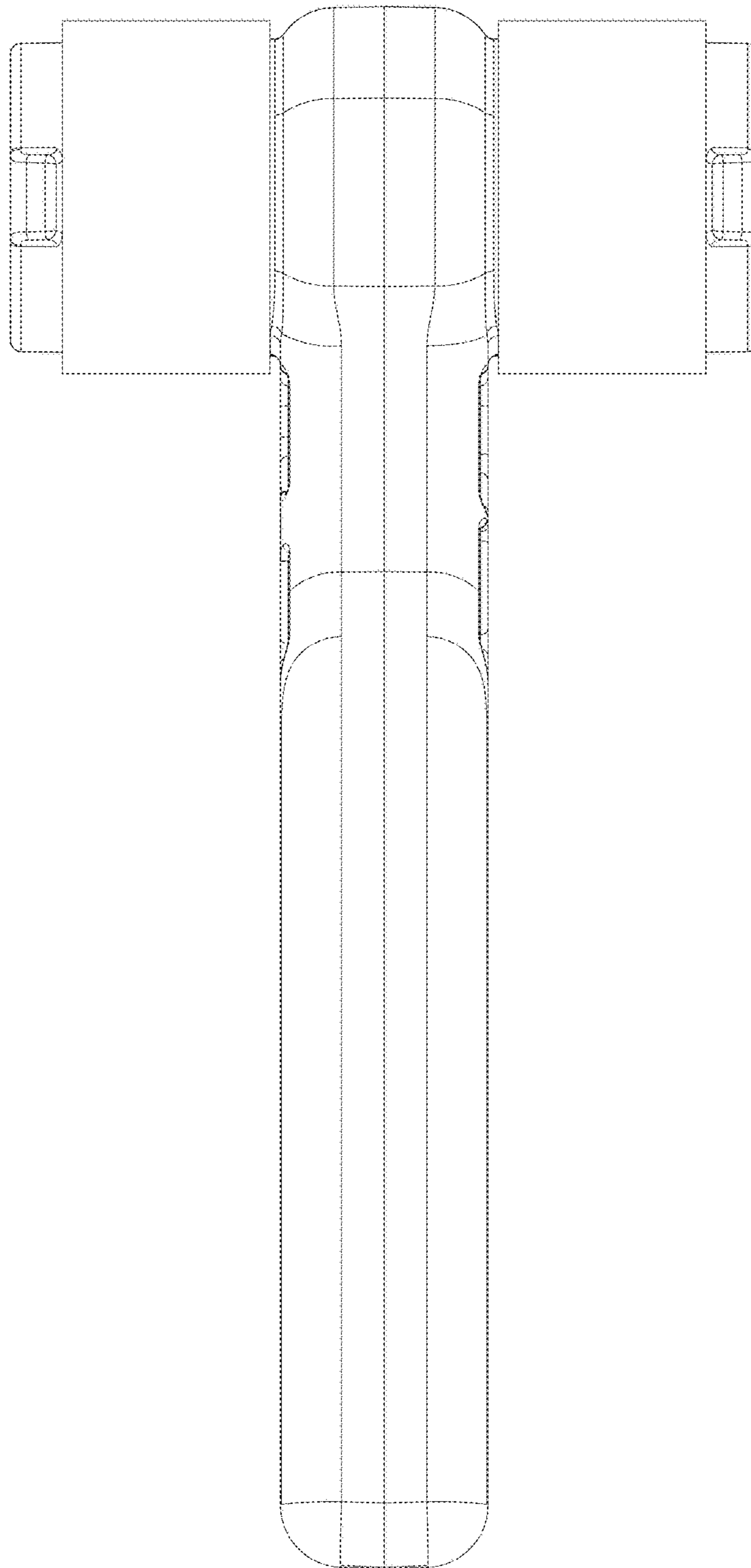


FIG.5

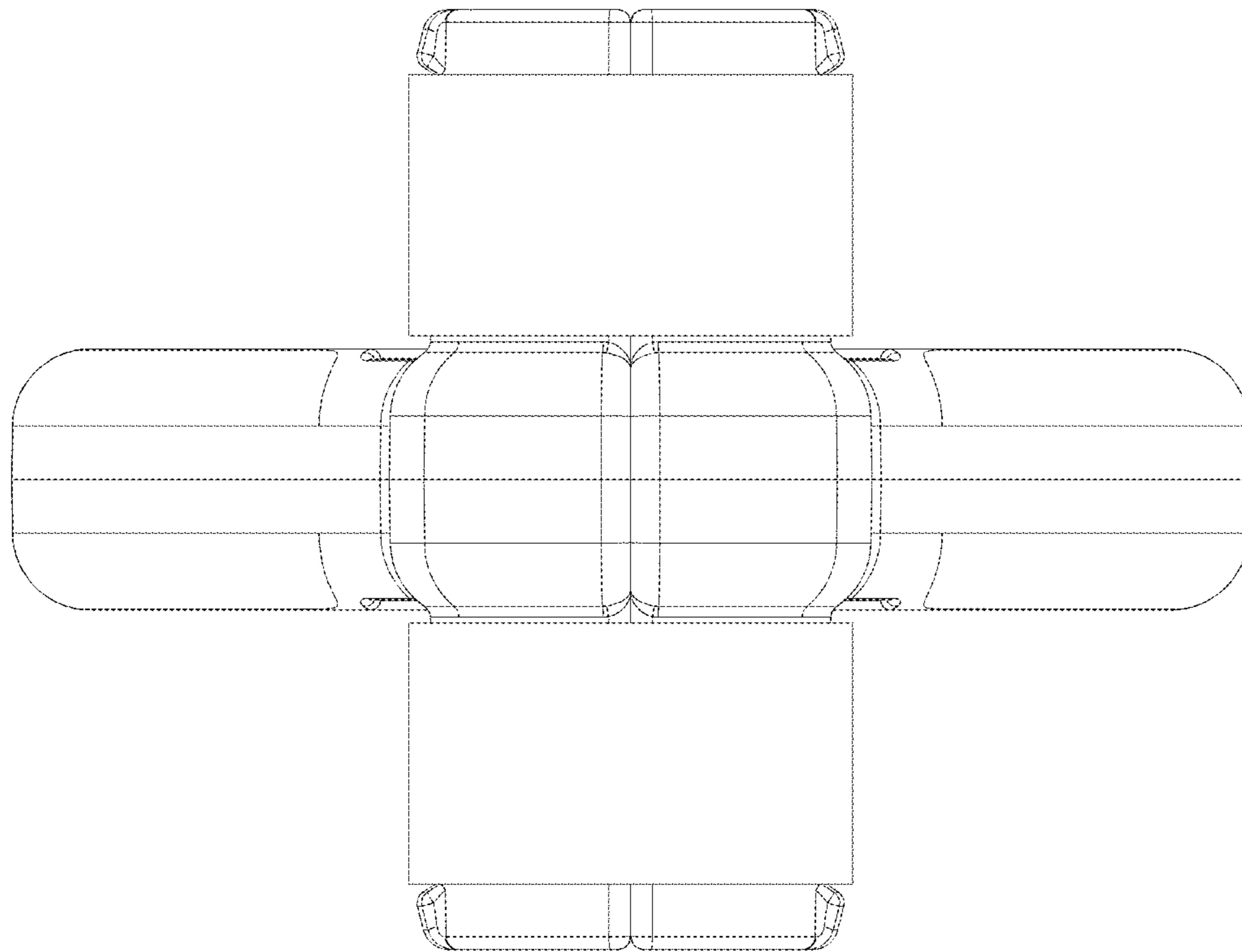


FIG.6

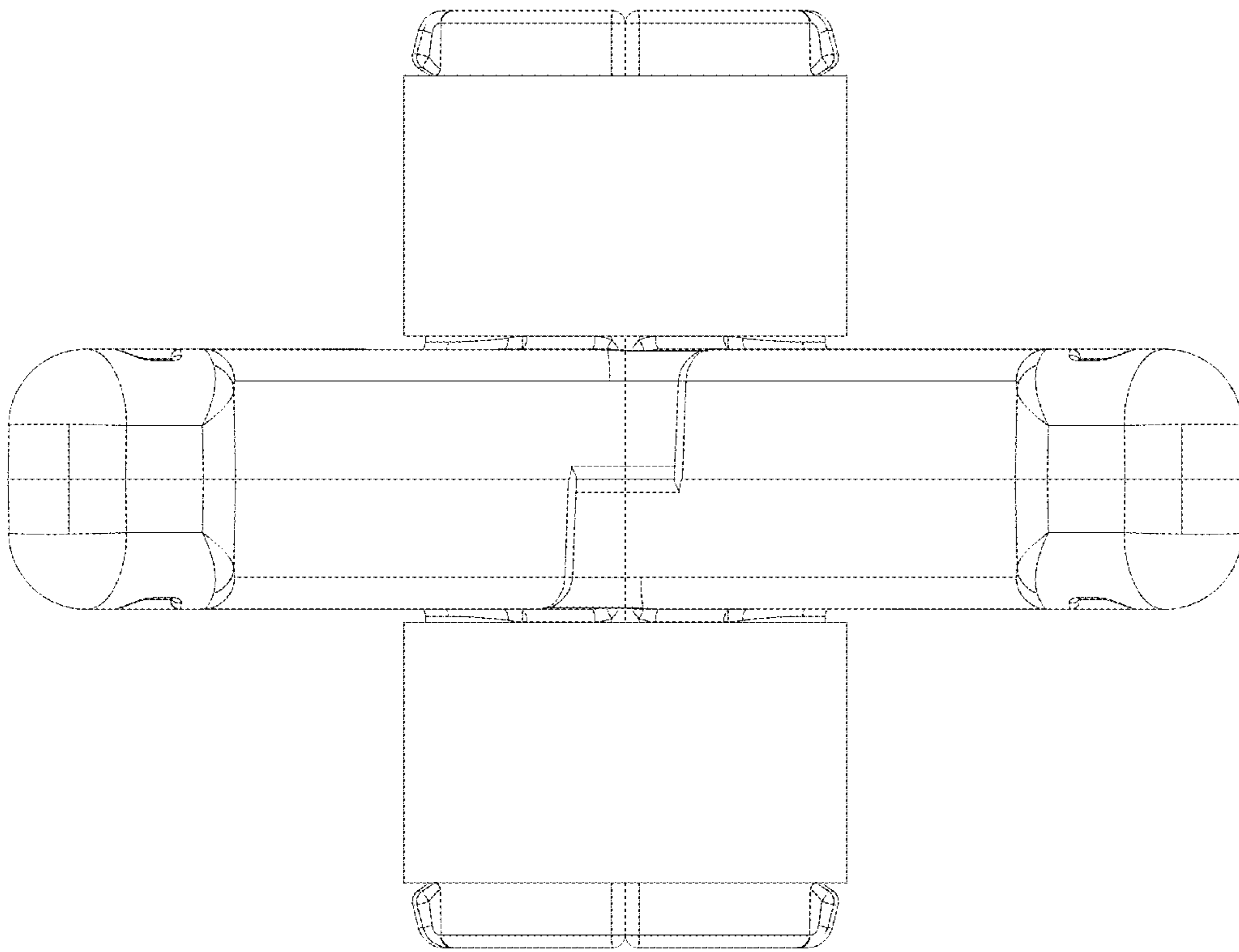


FIG.7