



US00D810840S

(12) **United States Design Patent** (10) **Patent No.:** **US D810,840 S**
Wanders (45) **Date of Patent:** **** Feb. 20, 2018**

(54) **HAND PUPPET**
(71) Applicant: **WANDERS WONDERS B.V.**,
Amsterdam (NL)
(72) Inventor: **Marcel Wanders**, Amsterdam (NL)
(**) Term: **15 Years**
(21) Appl. No.: **35/501,502**
(22) Filed: **Mar. 4, 2016**

D473,785 S * 4/2003 Ahmed D21/479
D479,566 S * 9/2003 Manville D21/386
D480,116 S * 9/2003 Collins D21/479
D480,182 S * 9/2003 McAnally D11/96
D499,151 S * 11/2004 Arabian D21/479
D520,376 S * 5/2006 Nolle D21/480
D590,210 S * 4/2009 Metcalfe D21/480
D622,995 S * 9/2010 Beraha D20/27
7,832,732 B1 * 11/2010 Torres A63F 1/02
273/153 R
D691,669 S * 10/2013 Chen D21/302
D721,142 S * 1/2015 Ziegler D21/479
D760,849 S * 7/2016 Iverson D21/480

(80) **Hague Agreement Data**
Int. Filing Date: **Mar. 4, 2016**
Int. Reg. No.: **DM/090418**
Int. Reg. Date: **Mar. 4, 2016**
Int. Reg. Pub. Date: **Sep. 9, 2016**
(51) **LOC (11) Cl.** **21-01**
(52) **U.S. Cl.**
USPC **D21/588**
(58) **Field of Classification Search**
USPC D21/479, 386, 480, 320, 588; D11/96;
D20/27
CPC A41H 1/10; A41H 3/00; A63F 1/02
See application file for complete search history.

* cited by examiner

Primary Examiner — George D Kirschbaum

(57) **CLAIM**

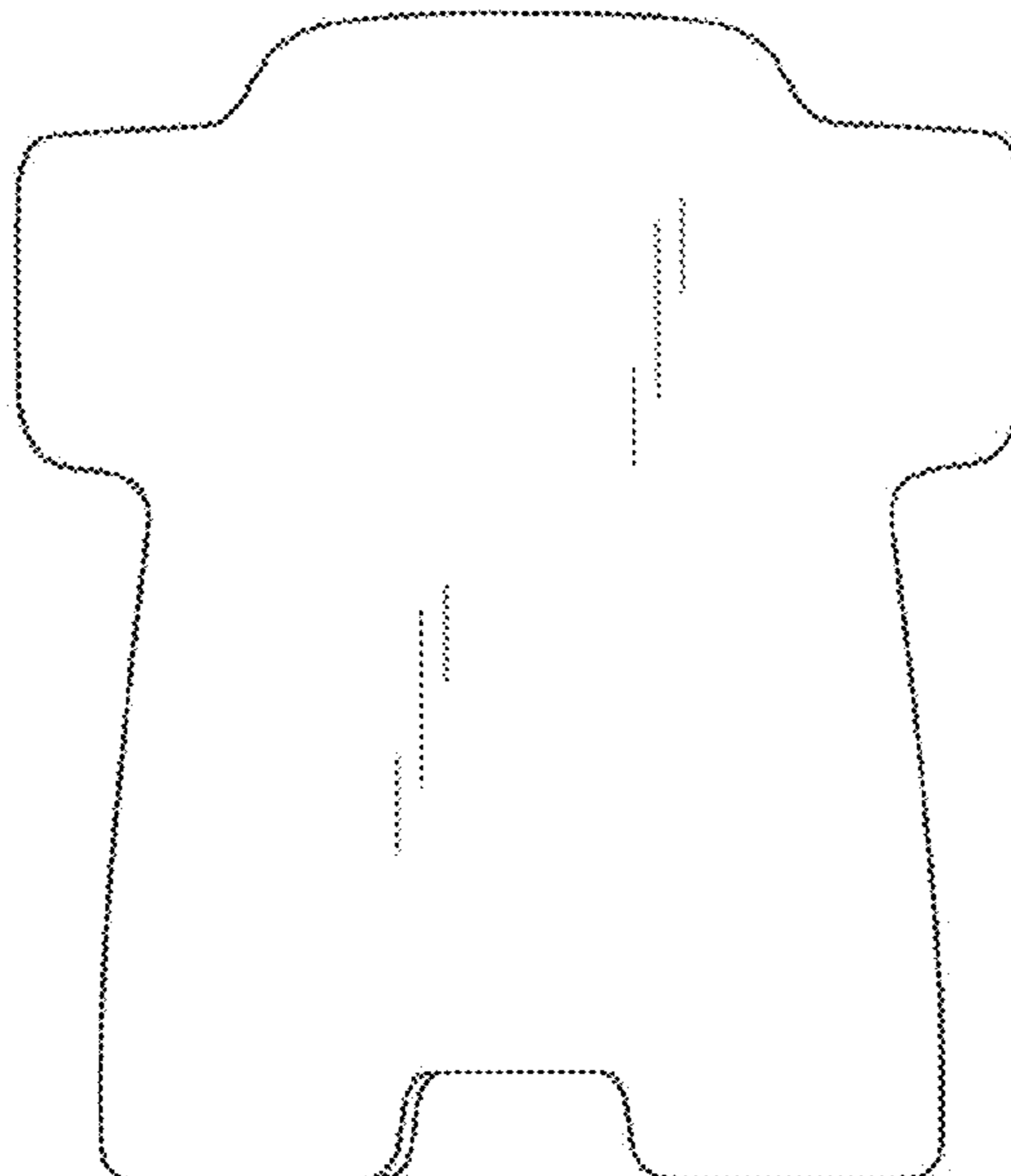
The ornamental design for a hand puppet, as shown and described.

DESCRIPTION

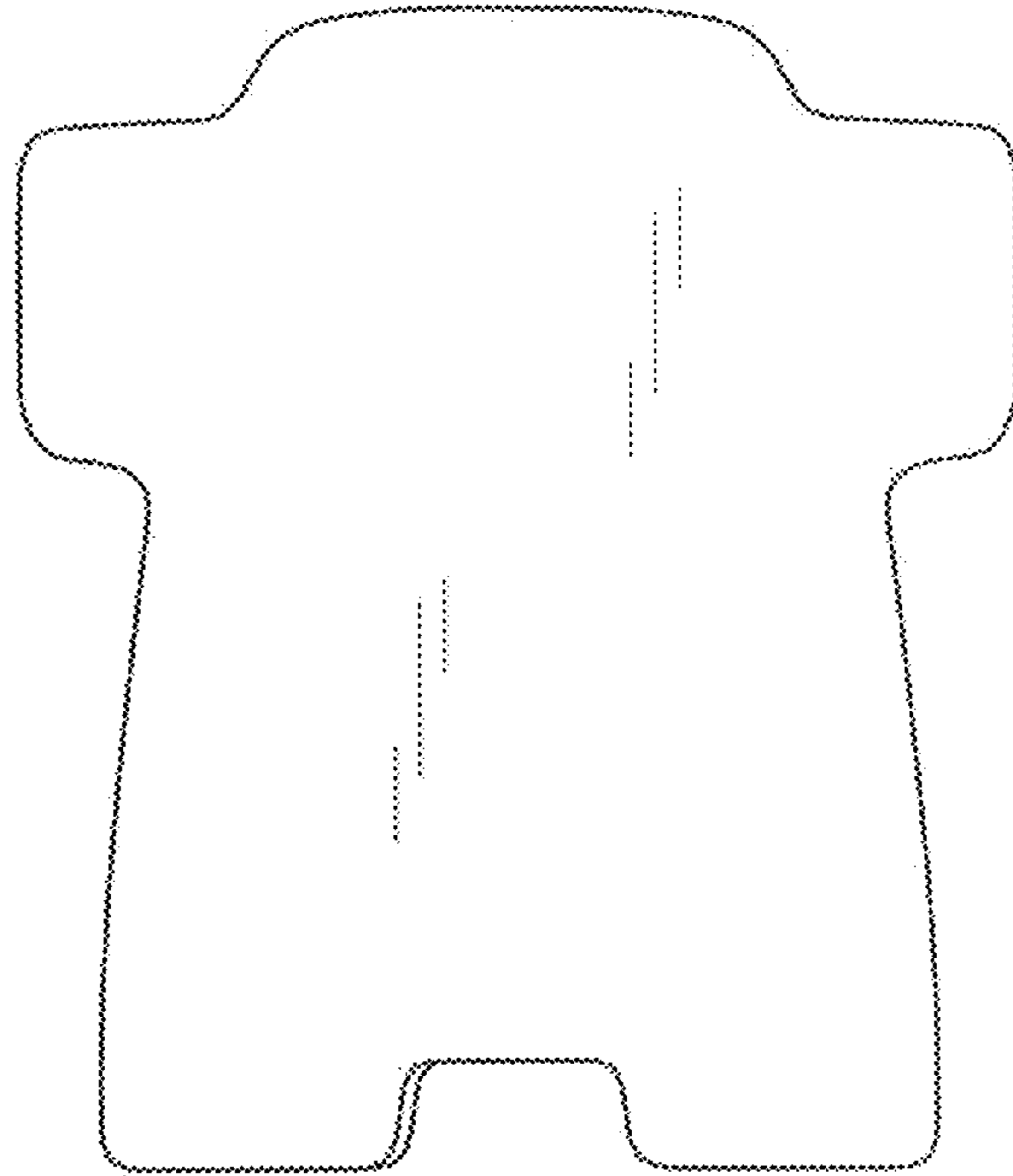
1. Toy
1.1 is a perspective view of a hand puppet in accordance with the present invention;
1.2 is a bottom plan view of the hand puppet of Fig. **1.1**;
1.3 is a top plan view of the hand puppet of Fig. **1.1**;
1.4 is a front elevational view of the hand puppet of Fig. **1.1**;
1.5 is a rear elevational view of the hand puppet of Fig. **1.1**;
1.6 is a side elevational view of a first side of the hand puppet of Fig. **1.1**; and
1.7 is a side elevational view of a second side of the hand puppet of Fig. **1.1**.

(56) **References Cited**
U.S. PATENT DOCUMENTS
3,140,023 A * 7/1964 Cella A41H 1/10
223/68
4,894,919 A * 1/1990 Ziegert A41H 3/00
33/17 R

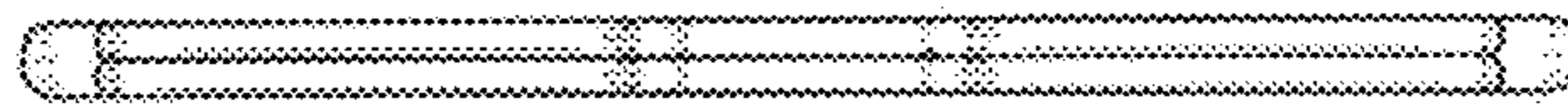
1 Claim, 2 Drawing Sheets



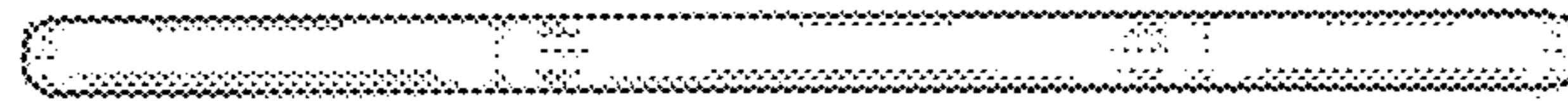
1.1



1.2



1.3



1.4

