



US00D810838S

(12) **United States Design Patent** (10) **Patent No.:** **US D810,838 S**
Libby (45) **Date of Patent:** **** Feb. 20, 2018**

(54) **CHILDREN'S FURNITURE**

FOREIGN PATENT DOCUMENTS

(71) Applicant: **Tim Libby**, Dalton Gardens, ID (US)

CN 303083386 * 1/2015

(72) Inventor: **Tim Libby**, Dalton Gardens, ID (US)

OTHER PUBLICATIONS

(**) Term: **15 Years**

AmazonSmile: ACME Furniture 37505T Tobi Twin Bed, website 2017, <https://smile.amazon.com/ACME-Furniture-37505T-Green-Train/dp/B01M074GT1/ref=sr...> site visited Sep. 24, 2017.*

(21) Appl. No.: **29/584,185**

(Continued)

(22) Filed: **Nov. 11, 2016**

(51) **LOC (11) Cl.** **21-01**

Primary Examiner — John Windmuller

(52) **U.S. Cl.**

Assistant Examiner — John R Yeh

USPC **D21/522**

(74) *Attorney, Agent, or Firm* — Seed IP Law Group LLP

(58) **Field of Classification Search**

USPC D21/522, 519, 530–531, 533, 539–541,

D21/561, 473–474, 477, 493, 833, 830,

D21/816, 811; D6/692.3, 685, 688.12,

D6/696.1, 345, 404

CPC A47K 3/001; A47B 19/04; A47F 5/01;

A47D 15/00; A47D 1/02; A47D 7/00;

E04H 15/36

See application file for complete search history.

(57) **CLAIM**

The ornamental design for children's furniture, as shown and described.

DESCRIPTION

(56) **References Cited**

U.S. PATENT DOCUMENTS

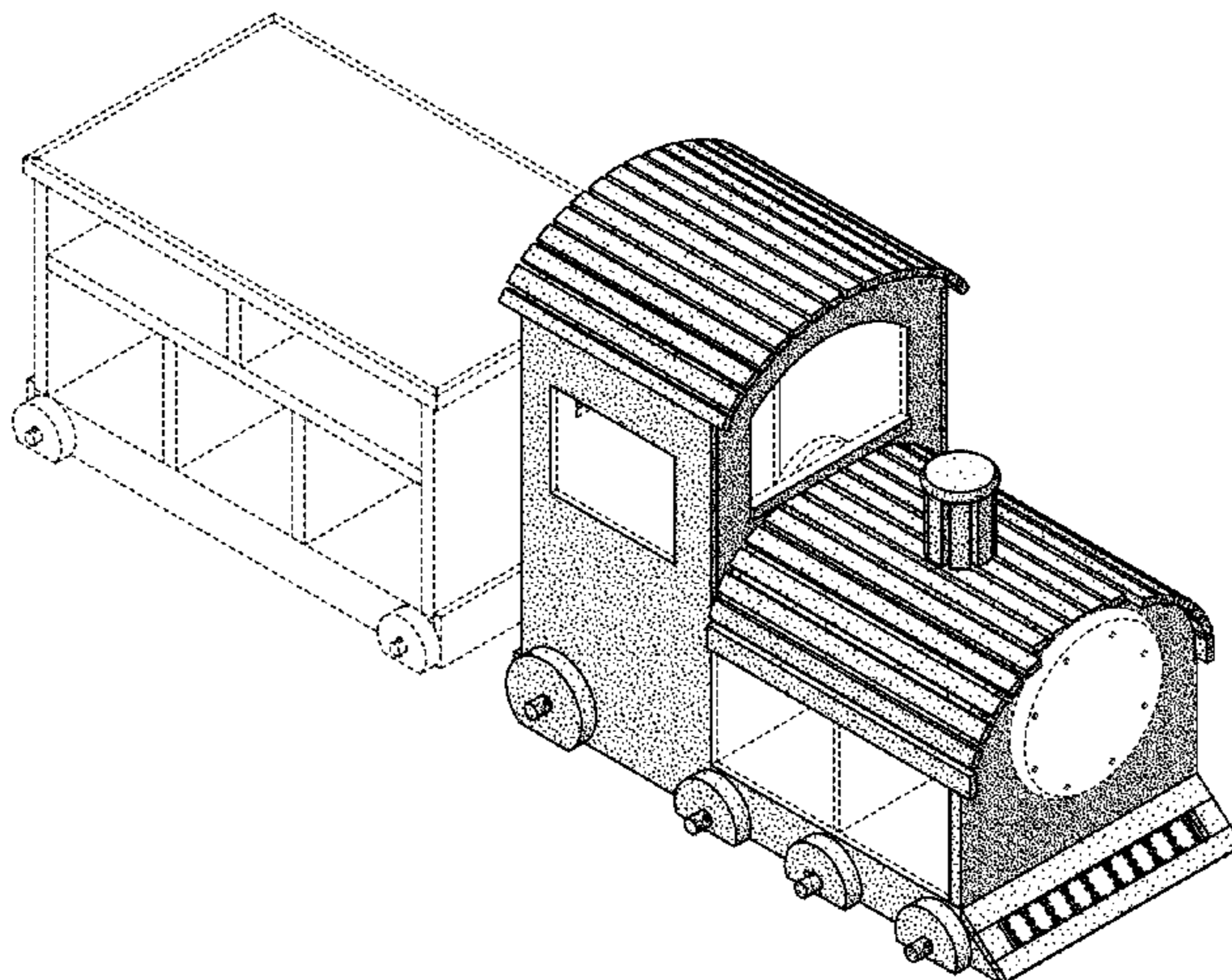
193,460 A *	7/1877	Reed	A63H 17/002
				446/93
D68,611 S *	11/1925	Brainard	D21/541
D210,841 S *	4/1968	Genin	D21/541
D217,374 S *	4/1970	Hubiak	D21/427
D225,072 S *	11/1972	Henning et al.	D21/541
D227,026 S *	5/1973	Strauss	D21/541
D235,217 S *	5/1975	Lohr et al.	280/242.1
D254,020 S *	1/1980	Greenwood	D21/541
D257,362 S *	10/1980	Imura	D21/427
D262,641 S *	1/1982	Saitoh	D21/541
D276,742 S *	12/1984	Lardy	D21/541
D316,276 S *	4/1991	Weiner	D20/3
D318,880 S *	8/1991	Cheung	D19/59
D348,299 S *	6/1994	Mirabella	D12/40
D351,447 S *	10/1994	Barnes	D21/541
D380,248 S *	6/1997	Morris	D21/820

(Continued)

FIG. 1 is an isometric view of my new design for children's furniture from a front perspective; FIG. 2 is an isometric view thereof from a rear perspective; FIG. 3 is another isometric view thereof from a rear perspective with some unclaimed features broken away to reveal additional details of the design; FIG. 4 is a left side elevational view thereof; FIG. 5 is a right side elevational view thereof; FIG. 6 is a front elevational view thereof; FIG. 7 is a rear elevational view thereof; FIG. 8 is a top plan view thereof; and, FIG. 9 is a bottom plan view thereof.

Stippling in the drawings provides shading to represent three-dimensional contours of the design and is not intended to indicate surface decoration. The broken lines in the figures represent portions of the children's furniture that form no part of the claimed design.

1 Claim, 7 Drawing Sheets



(56)

References Cited

U.S. PATENT DOCUMENTS

D436,145	S	*	1/2001	Chan	D21/533
D484,195	S	*	12/2003	Shippy	D21/540
D533,907	S	*	12/2006	Yuen	D21/541
D588,650	S	*	3/2009	Yen	D21/427
D679,761	S	*	4/2013	Nava	D21/427
D687,900	S	*	8/2013	Blanco	D21/427

OTHER PUBLICATIONS

Big Ticket Train Gifts for Kids, article date Nov. 13, 2014, <https://play-trains.com/big-ticket-train-gifts-for-kids/> site visited Sep. 24, 2017.*

Amazon.com: Teamson Kids—Little Kids Blue Train Writing Desk, review date Jan. 2, 2014, site visited Sep. 24, 2017, [https://www.amazon.com/gp/product/B001KZFX1K/ref=as_at/?imprToken=gd3Q6sq6YO . . . *](https://www.amazon.com/gp/product/B001KZFX1K/ref=as_at/?imprToken=gd3Q6sq6YO...)

Amazing Train Crib, URL=<http://www.goodshomedesign.com/amazing-train-crib/>, download date Dec. 7, 2016. (2 pages) (publicly available prior to the filing of the present application).

Large Canadian Roadside Attractions: Wooden Train, URL=<http://roadsideattractions.ca/nardam.html>, download date Dec. 7, 2016. (1 page) (publicly available prior to the filing of the present application).

Teamson Kids Train Desk and Chair Set, URL=https://www.bedbathandbeyond.com/store/product/teamson-kids-train-desk-and-chair-set/1045775604?skuId=45775604&mcid=PS_googlepla_nonbrand_dining_&product_id=45775604, download date Dec. 27, 2016. (2 pages) (publicly available prior to the filing of the present application).

Wooden Toy Train 3 Cars and 44 inches Long, URL=<http://www.etsy.com/listing/61051122/wooden-toy-train-3-cars-and-44-inches>, download date Dec. 7, 2016, (3 pages) (publicly available prior to the filing of the present application).

* cited by examiner

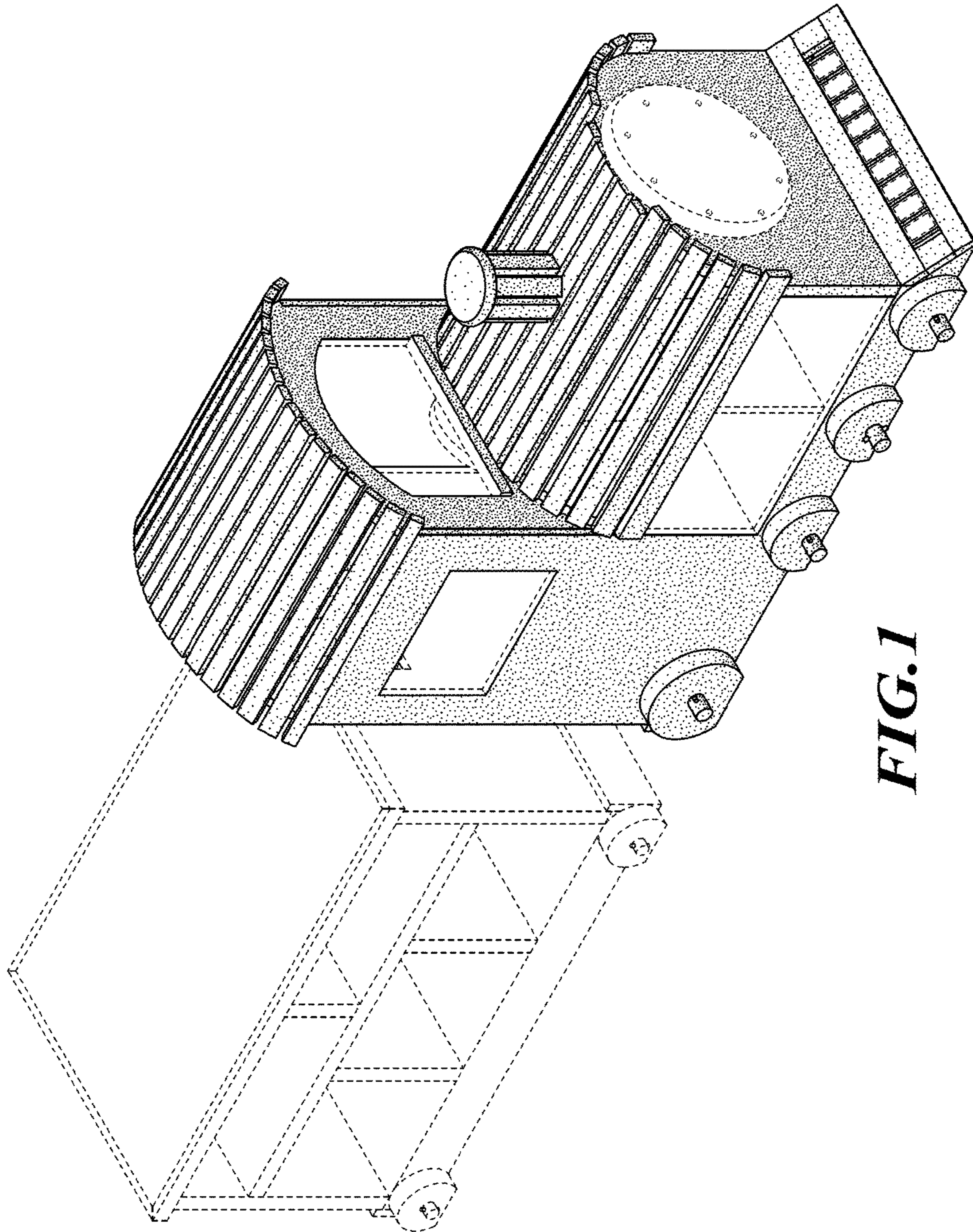


FIG. 1

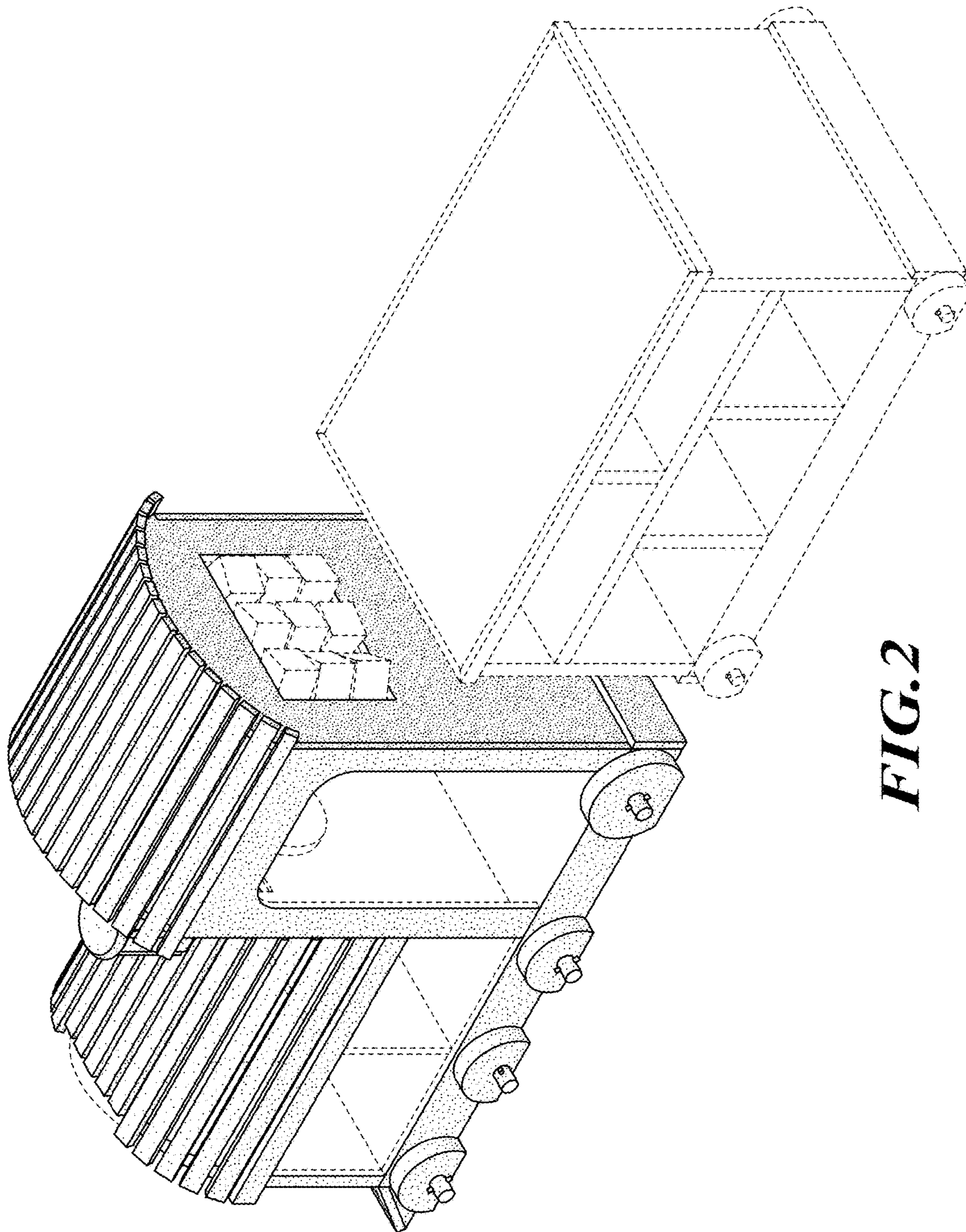


FIG. 2

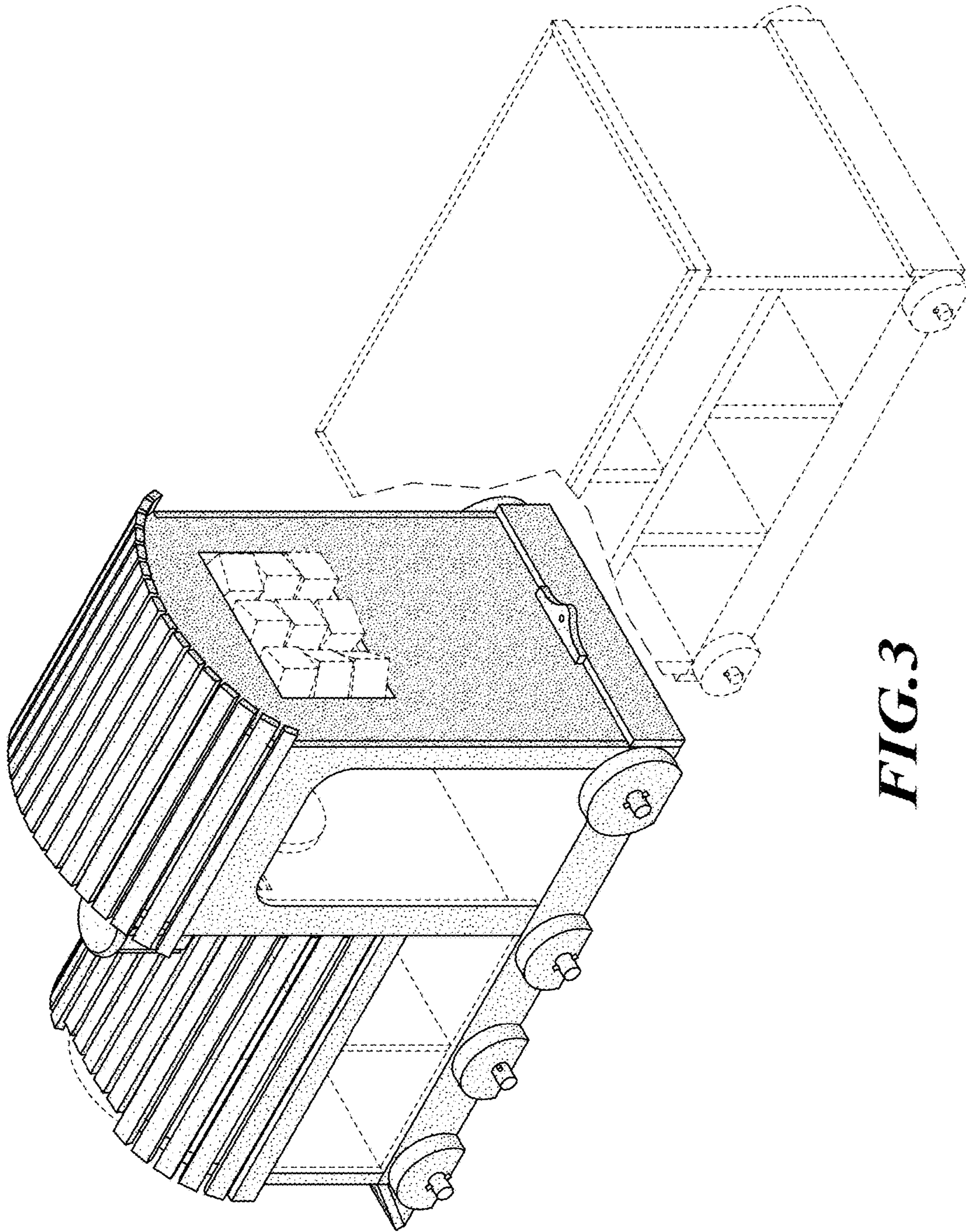


FIG. 3

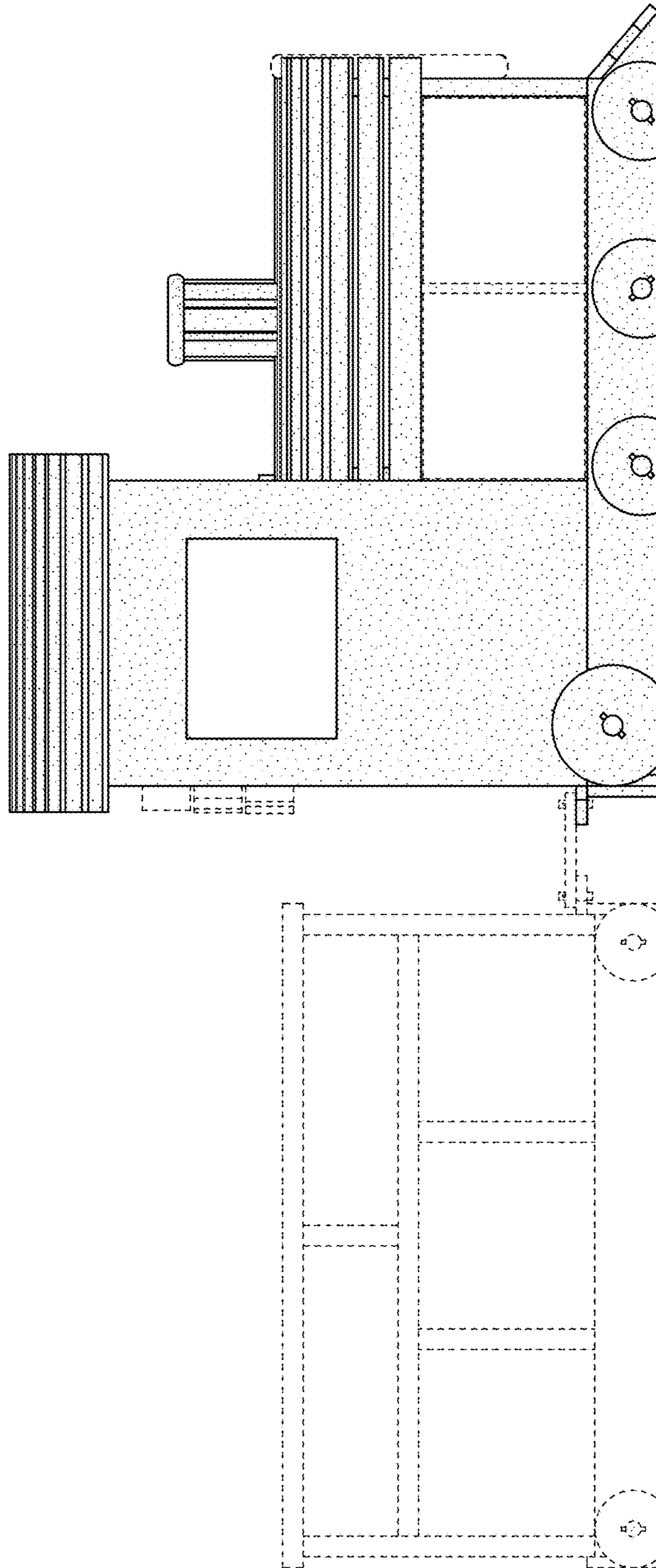


FIG. 4

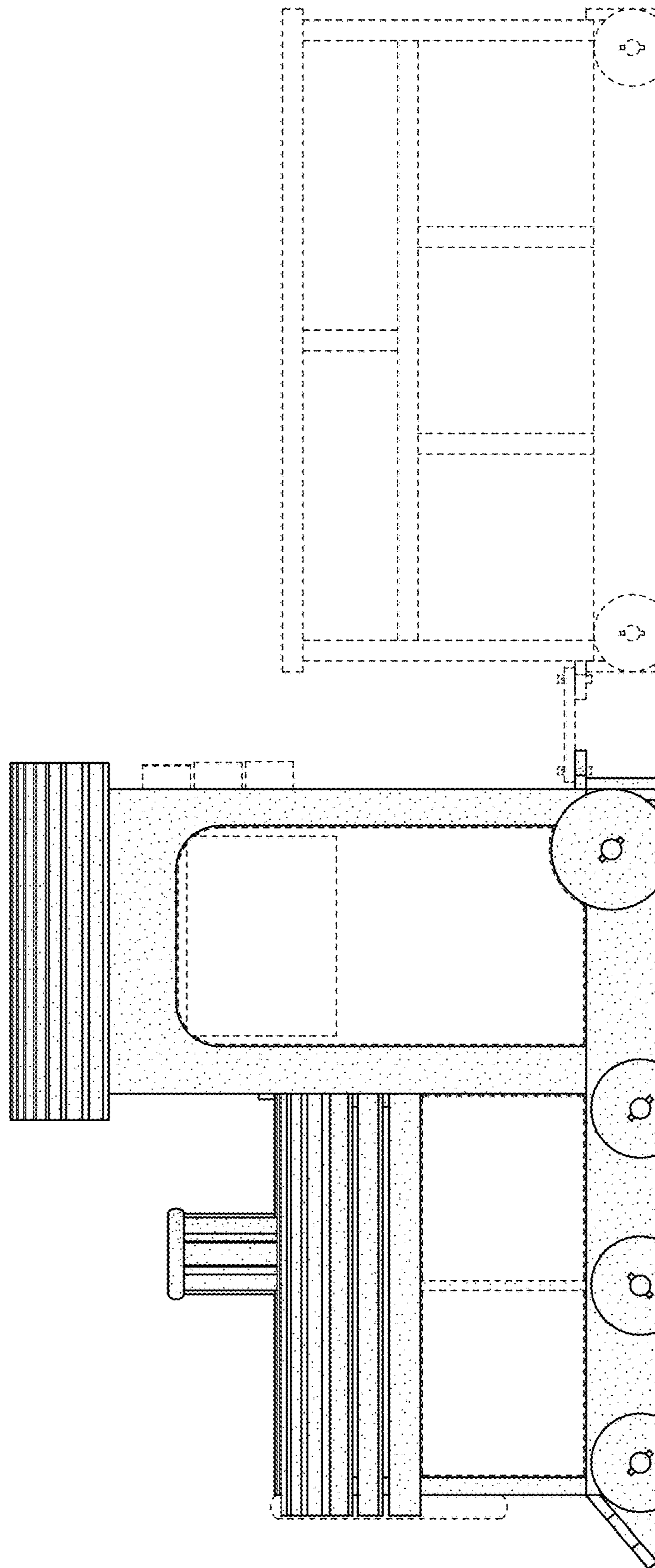


FIG. 5

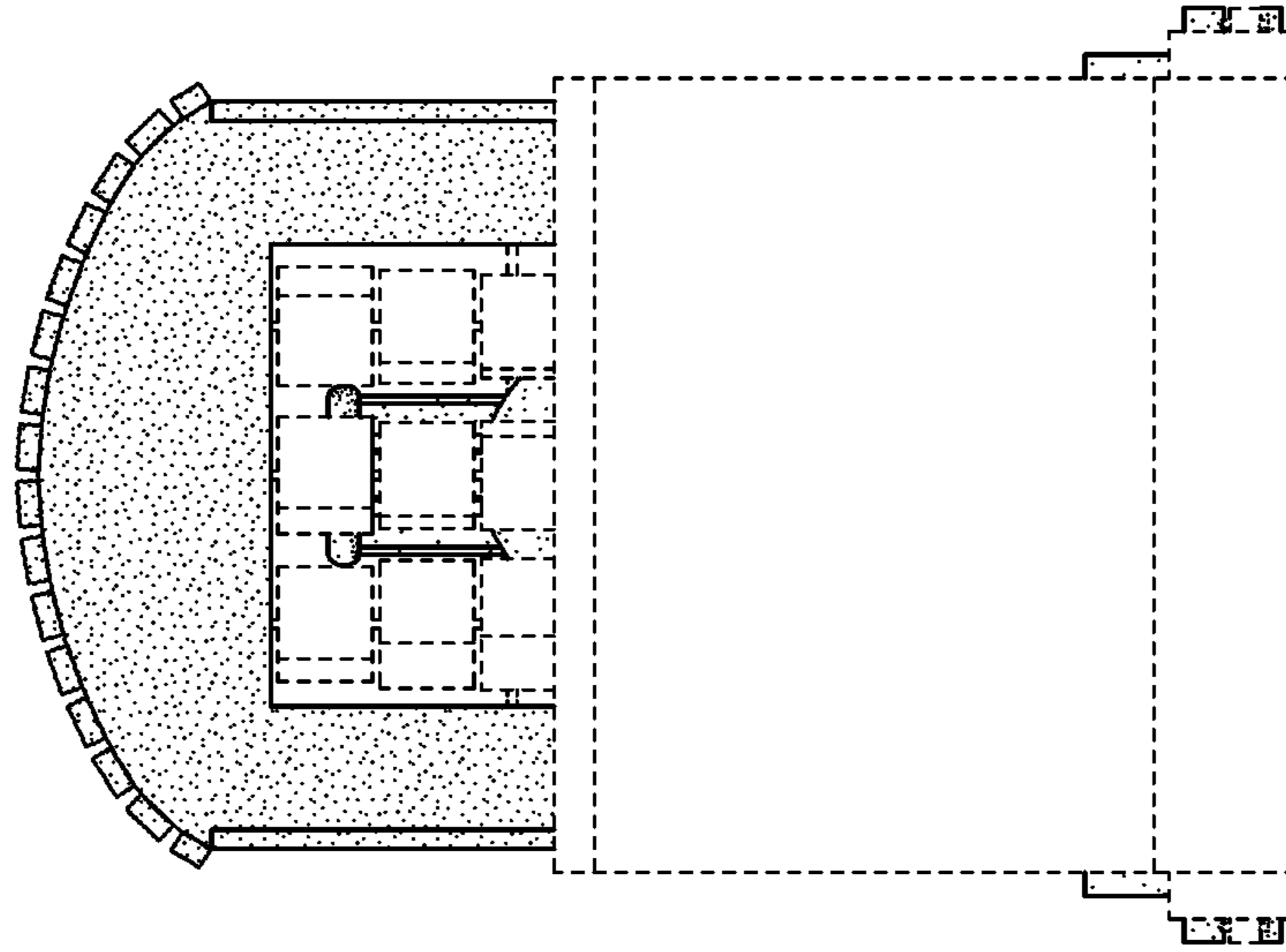


FIG. 6

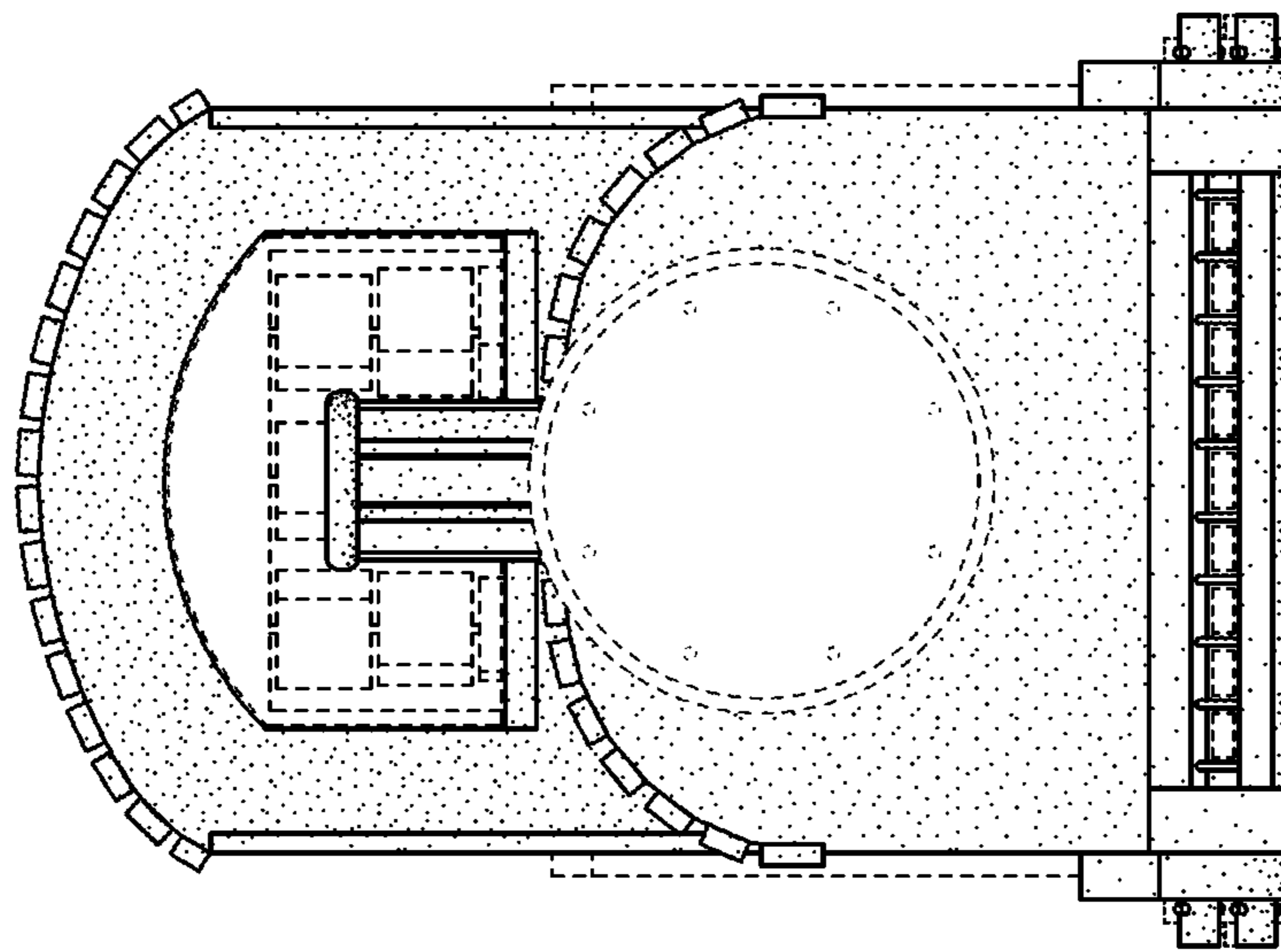


FIG. 7

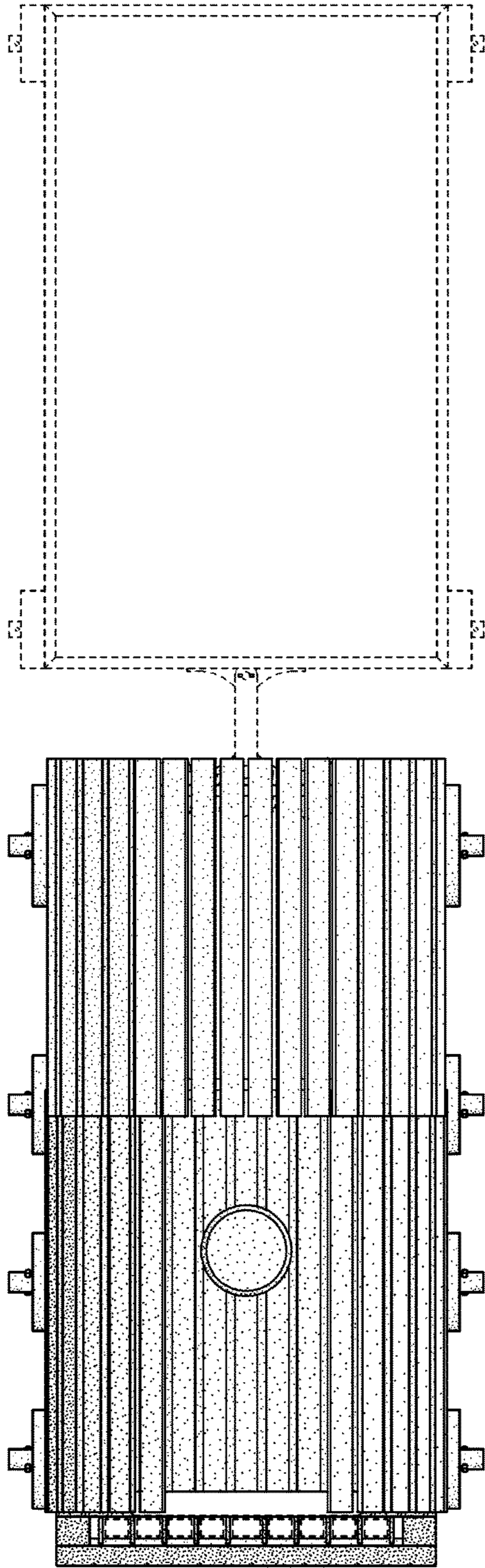


FIG. 8

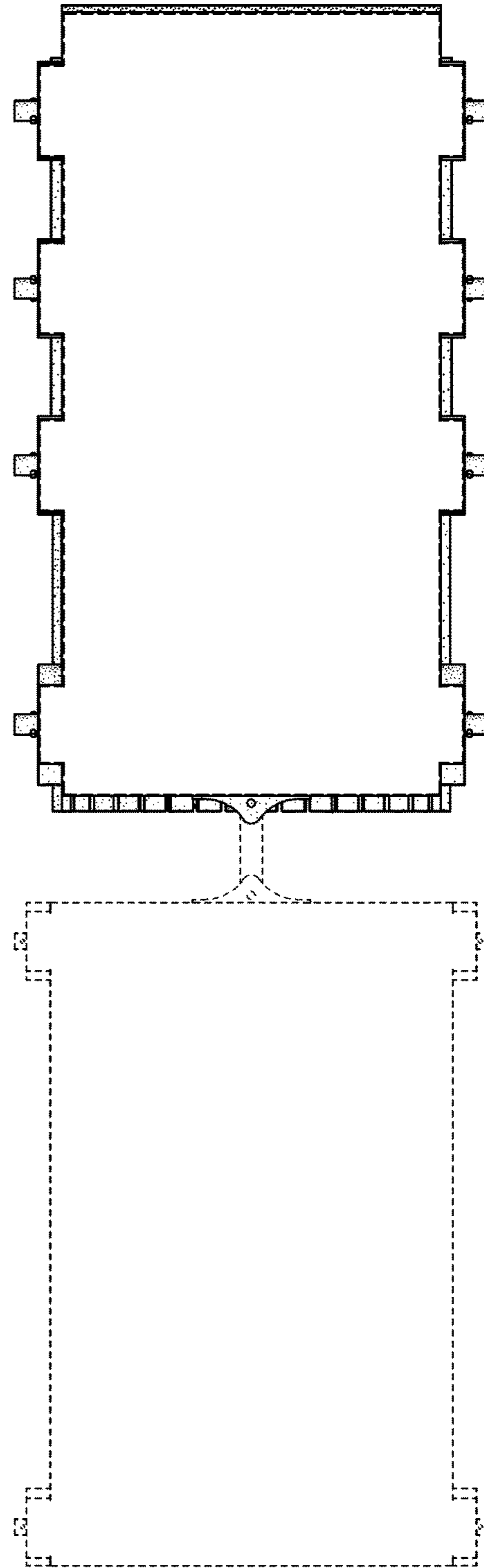


FIG. 9