



US00D810837S

(12) **United States Design Patent**
Liu et al.

(10) **Patent No.:** **US D810,837 S**

(45) **Date of Patent:** **** Feb. 20, 2018**

(54) **CONSTRUCTION SET BLOCK**

(71) Applicant: **UBTECH Robotics Corp.**, Shenzhen (CN)

(72) Inventors: **Lefeng Liu**, Shenzhen (CN); **Yumiao Wu**, Shenzhen (CN); **Dingkai Xing**, Shenzhen (CN); **Xiongyuan Fang**, Shenzhen (CN); **Xinpu Chen**, Shenzhen (CN)

(73) Assignee: **UBTECH ROBOTICS CORP.**, Shenzhen (CN)

(**) Term: **15 Years**

(21) Appl. No.: **29/576,601**

(22) Filed: **Sep. 6, 2016**

(30) **Foreign Application Priority Data**

Mar. 24, 2016 (CN) 2016 1 0176046

(51) **LOC (11) Cl.** **21-01**

(52) **U.S. Cl.**
USPC **D21/504**

(58) **Field of Classification Search**

USPC D21/478, 479, 484, 485-505; 446/69, 446/85, 102-128; 434/208, 259, 403; 273/153, 156, 160; 428/174
CPC A63H 33/00; A63H 33/04; A63H 33/06; A63H 33/08; A63H 33/10; A63H 33/12; A63H 33/14; A63F 9/08; A63F 9/12; G09B 1/36

See application file for complete search history.

(56) **References Cited**

U.S. PATENT DOCUMENTS

D285,101 S * 8/1986 Nakata D21/495
D285,707 S * 9/1986 Dideriksen D21/504

D304,354 S * 10/1989 Knudsen D21/504
D304,468 S * 11/1989 Dideriksen D21/453
D325,053 S * 3/1992 Skov D21/504
D328,928 S * 8/1992 Jarnros D21/504
D328,930 S * 8/1992 Jarnros D21/504
D331,433 S * 12/1992 Jarnros D21/494
D335,154 S * 4/1993 Knudsen D21/504
D353,629 S * 12/1994 Skov D21/504
D371,582 S * 7/1996 Olsen D21/503
D561,845 S * 2/2008 Glickman D21/492
D701,922 S * 4/2014 Andersen D21/497

* cited by examiner

Primary Examiner — Cynthia M Chin

(57) **CLAIM**

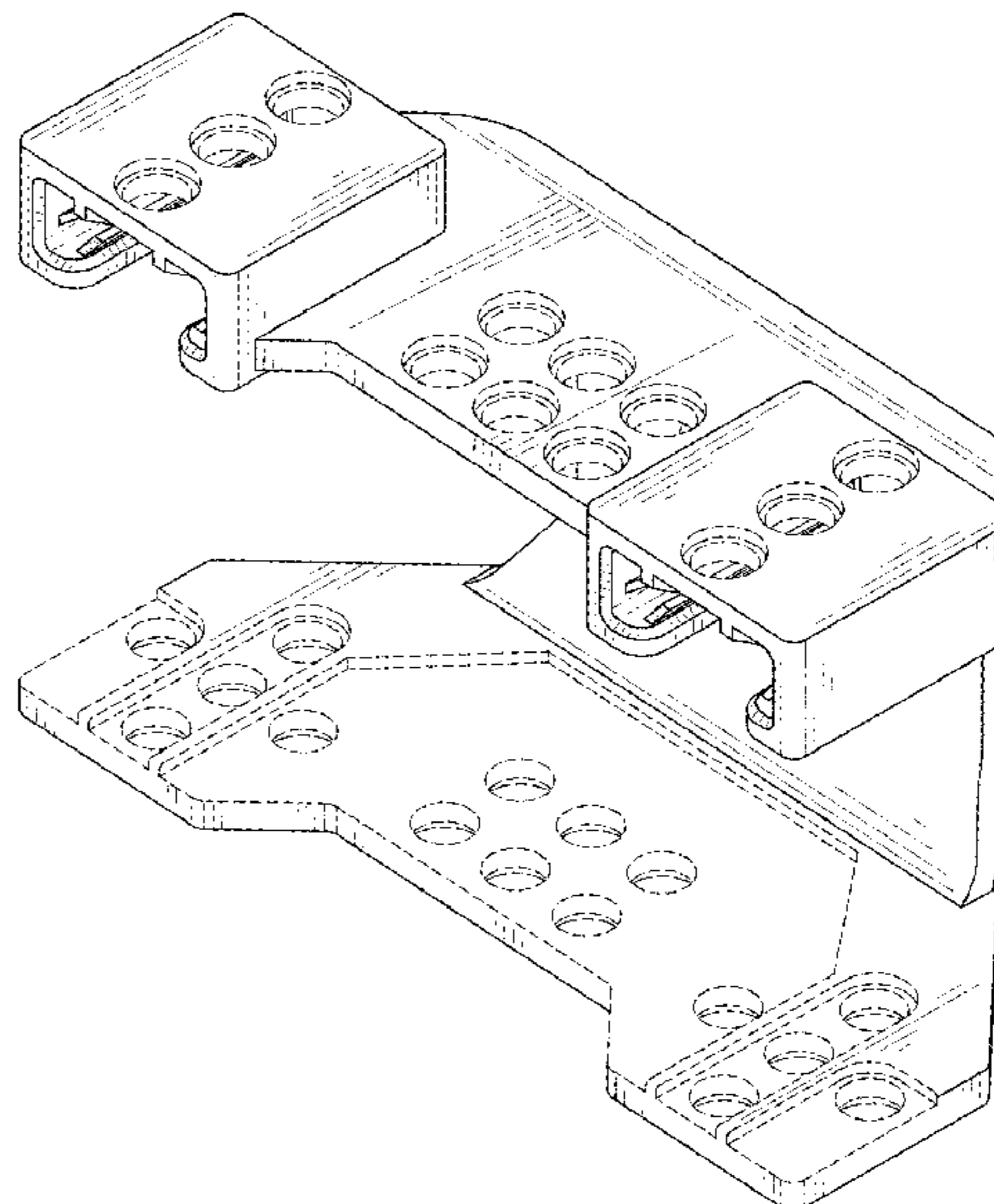
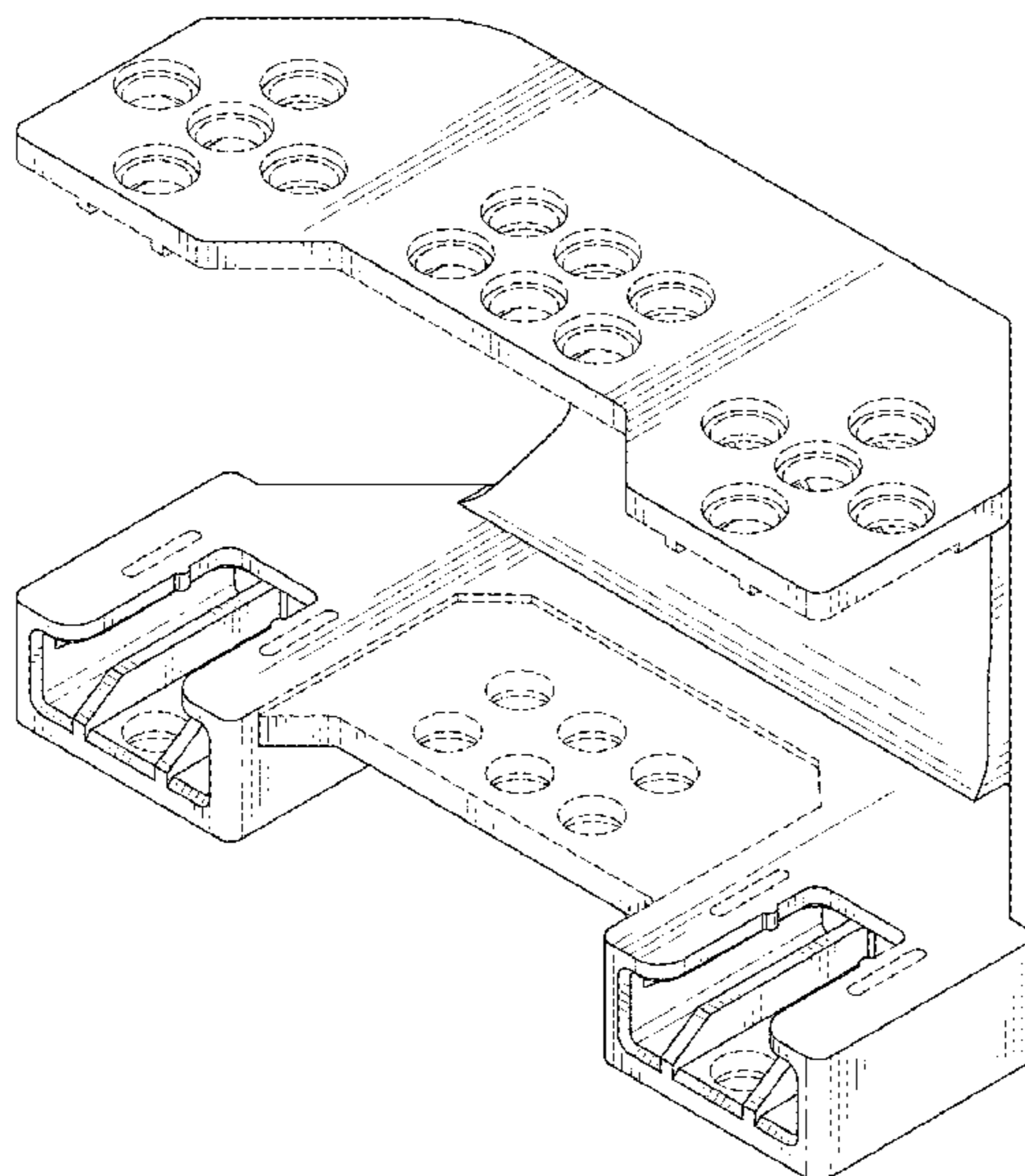
The ornamental design for a construction set block, as shown and described.

DESCRIPTION

FIG. 1 is a first perspective view of a construction set block showing our new design;
FIG. 2 is a second perspective view of a construction set block showing our new design;
FIG. 3 is a front elevational view thereof;
FIG. 4 is a rear elevational view thereof;
FIG. 5 is a left side elevational view thereof;
FIG. 6 is a right side elevational view thereof;
FIG. 7 is a top plan view thereof; and,
FIG. 8 is a bottom plan view thereof.

The broken lines in the Figures are for the purpose of illustrating portions of the article that form no part of the claimed design. The broken lines immediately adjacent the shaded areas represent the bounds of the claim which form no part of the claimed design. The broken lines and the unshaded surfaces within are included to identify parts of the article's appearance that form no part of the claimed design.

1 Claim, 8 Drawing Sheets



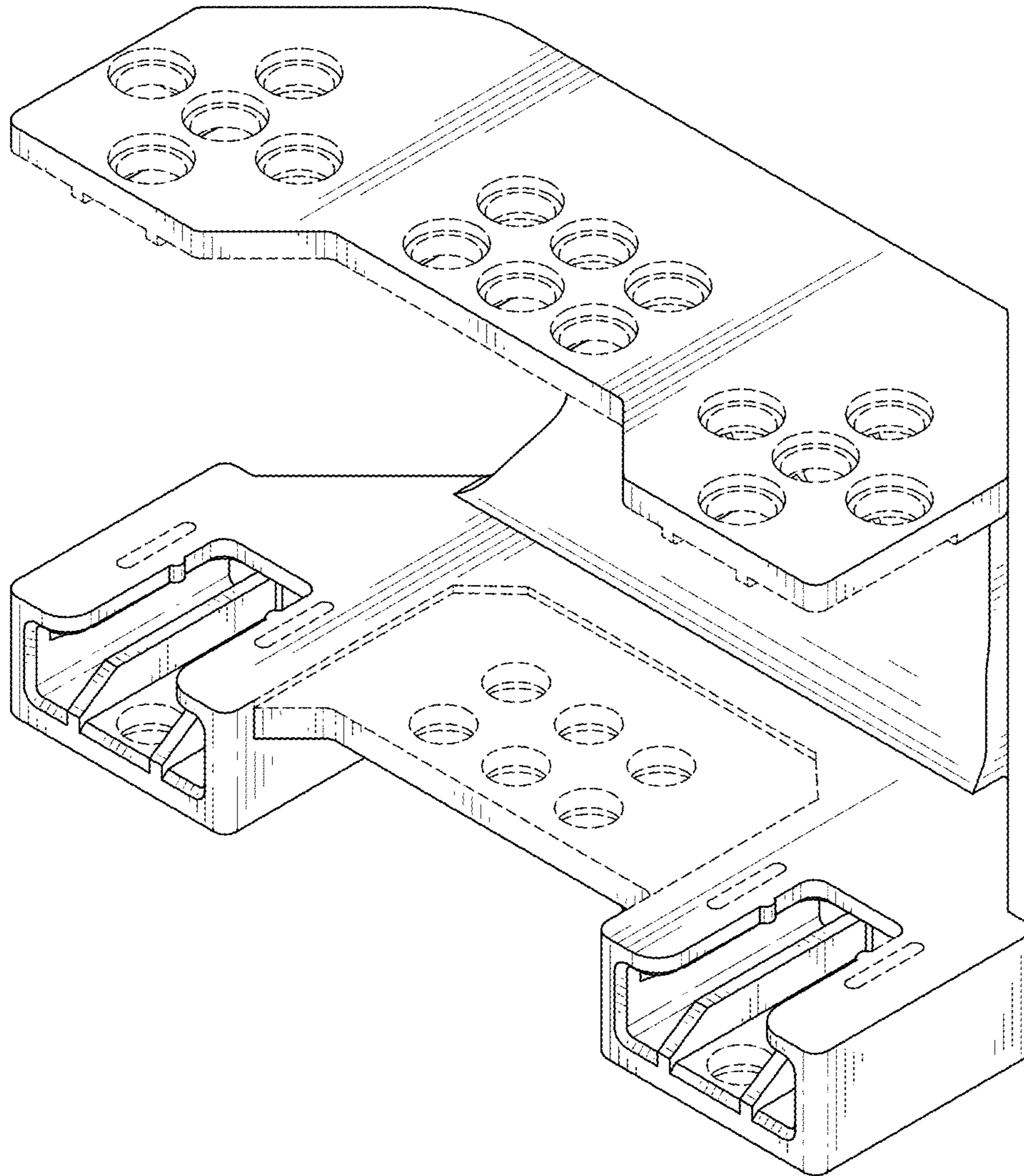


FIG. 1

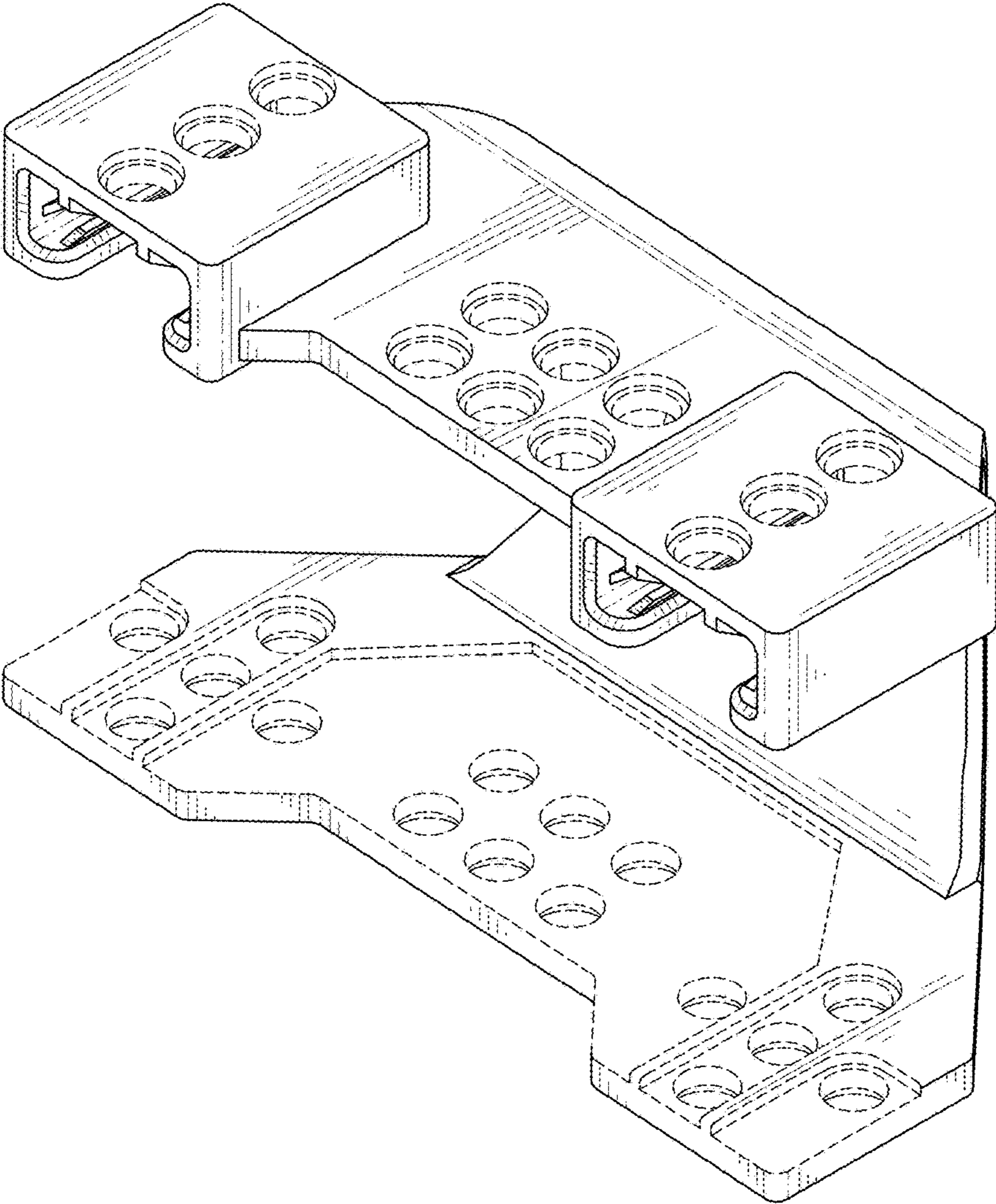


FIG. 2

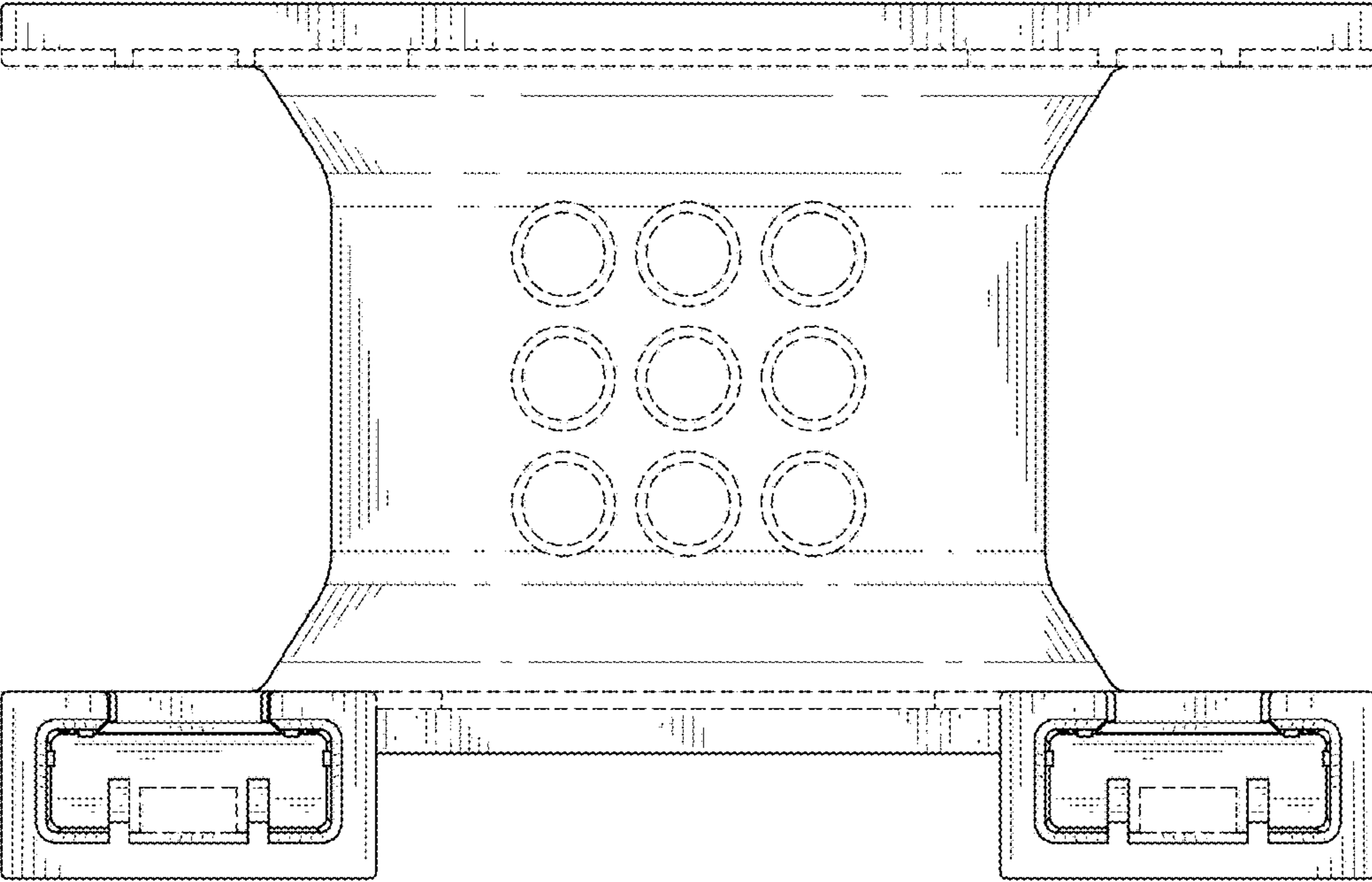


FIG. 3

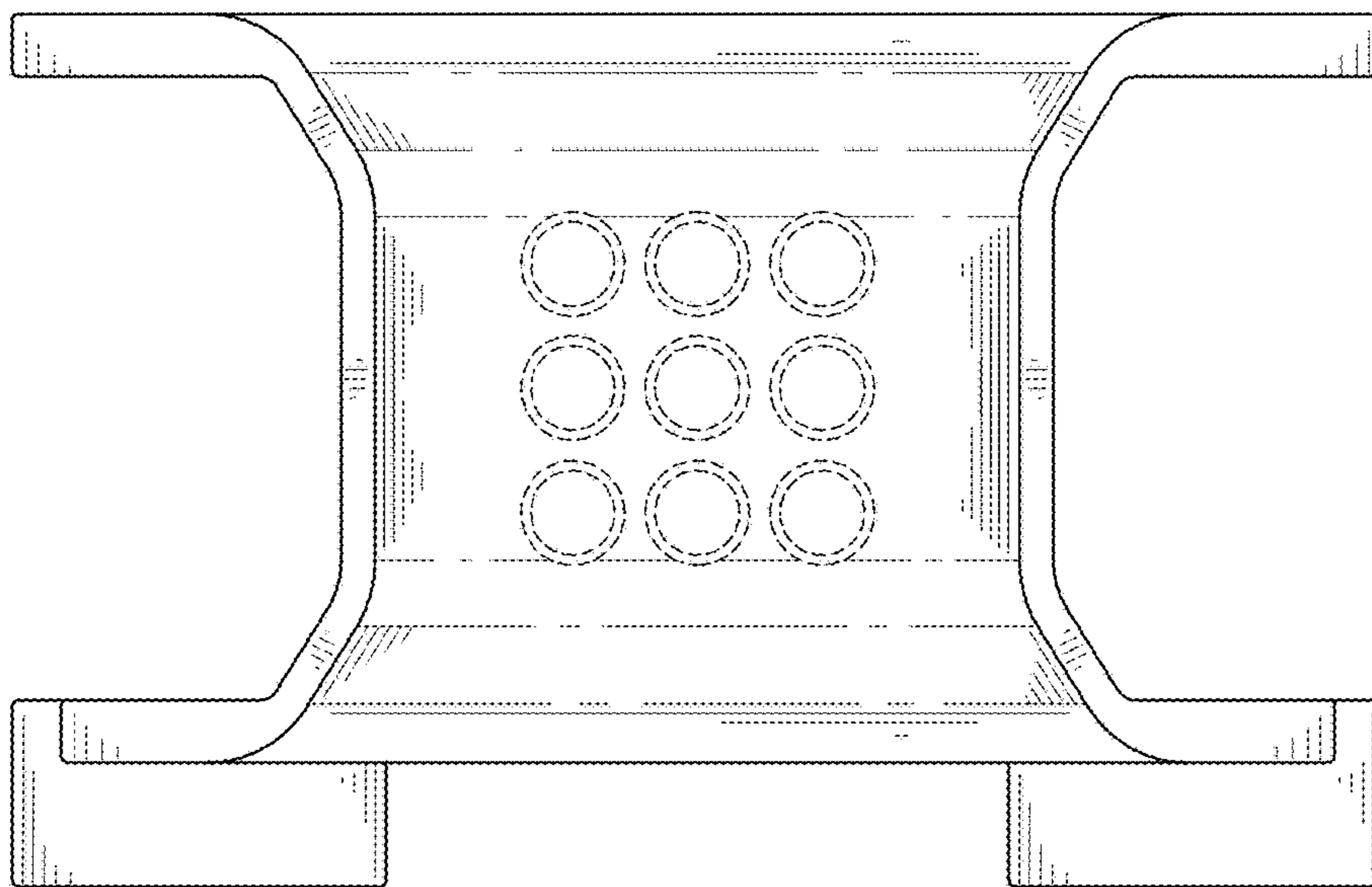


FIG. 4

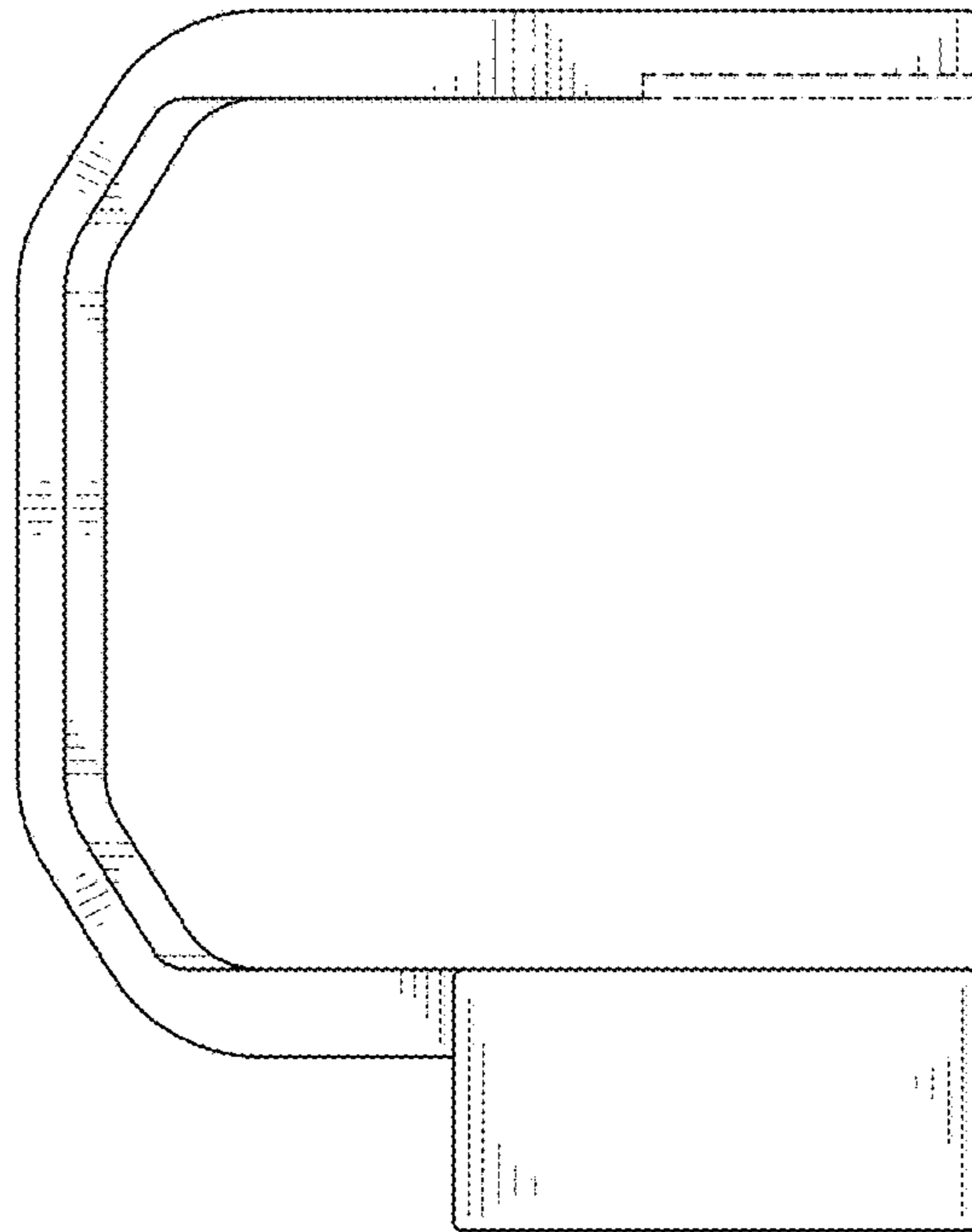


FIG. 5

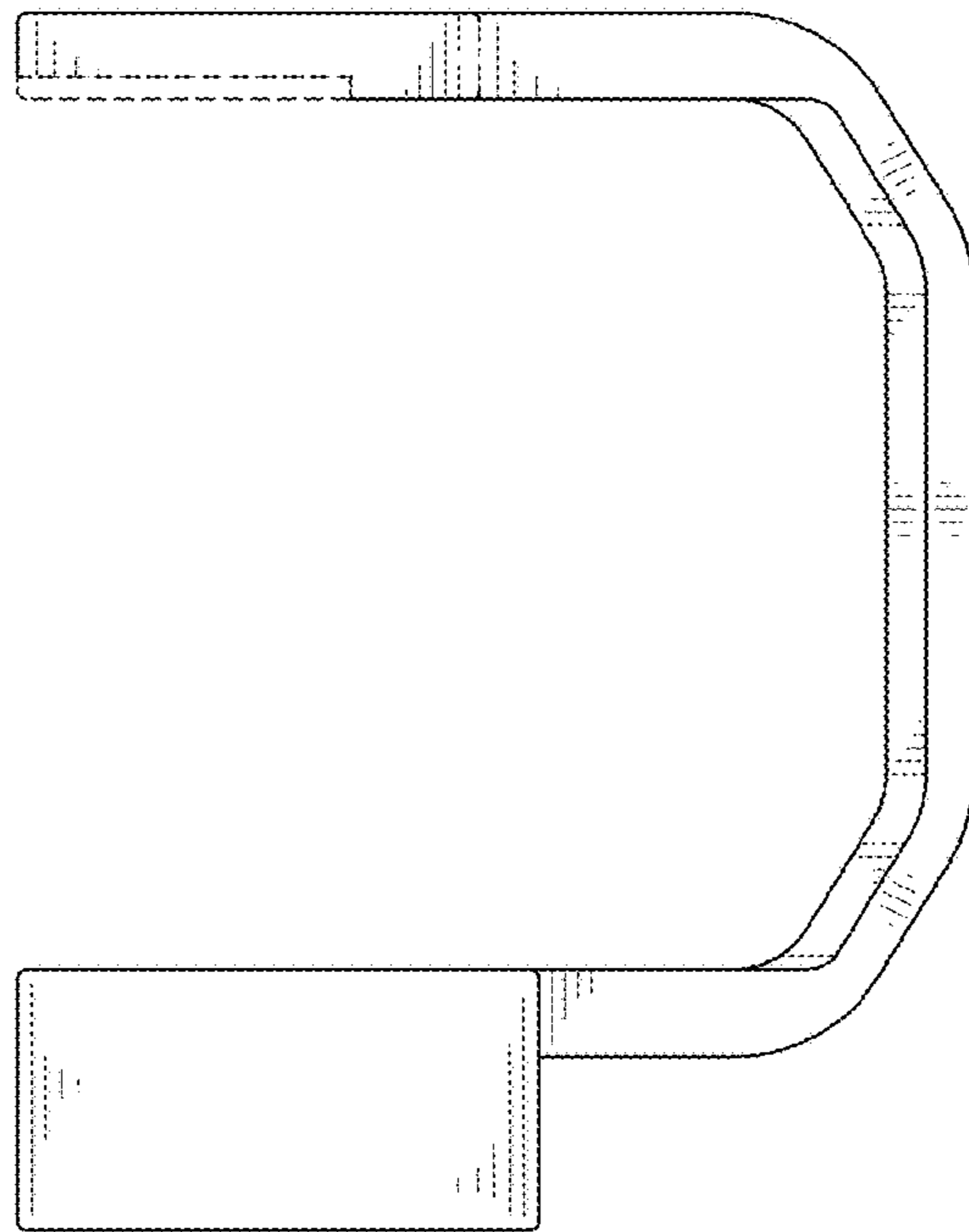


FIG. 6

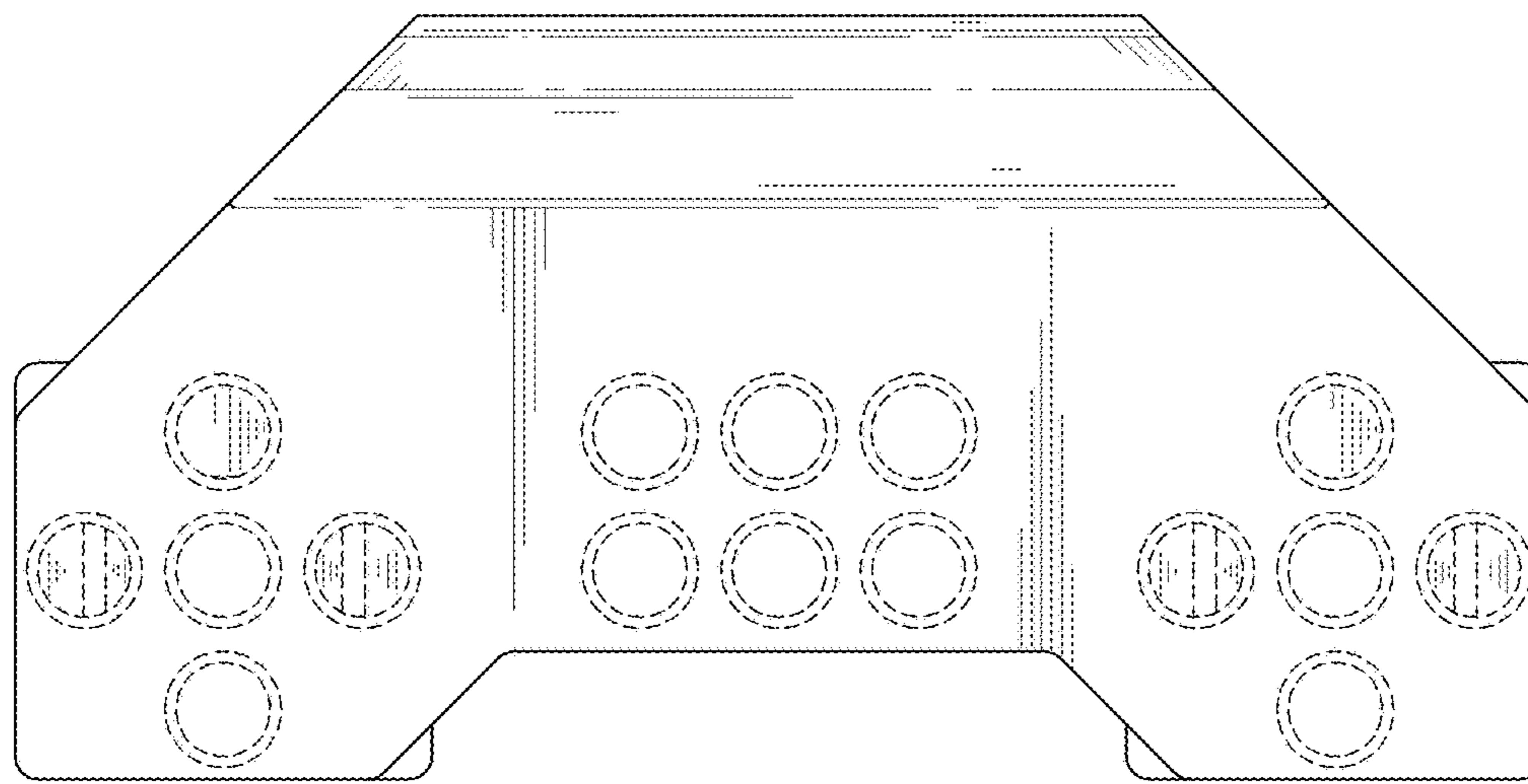


FIG. 7

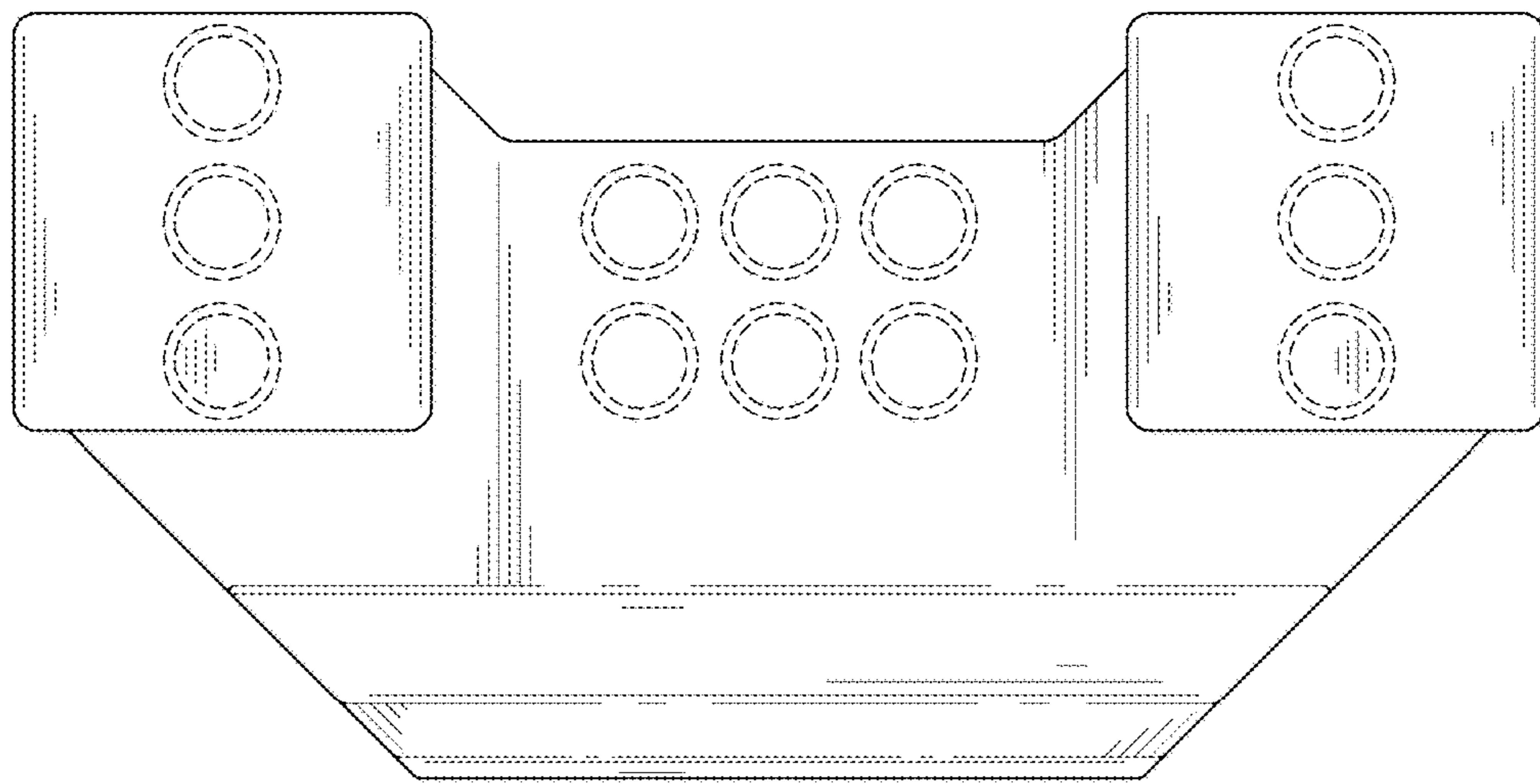


FIG. 8