



US00D810836S

(12) **United States Design Patent**
Hadley

(10) **Patent No.:** **US D810,836 S**
(45) **Date of Patent:** **** Feb. 20, 2018**

- (54) **ELECTRIC SCOOTER**
- (71) Applicant: **RAZOR USA LLC**, Cerritos, CA (US)
- (72) Inventor: **Robert Hadley**, Yorba Linda, CA (US)
- (73) Assignee: **RAZOR USA LLC**, Cerritos, CA (US)
- (**) Term: **15 Years**
- (21) Appl. No.: **29/543,893**
- (22) Filed: **Oct. 29, 2015**
- (51) **LOC (11) Cl.** **21-01**
- (52) **U.S. Cl.**
USPC **D21/423**
- (58) **Field of Classification Search**
USPC D21/419, 421, 423, 426-428, 435, 760,
D21/765, 771; D12/1, 8, 108, 112, 113
CPC . B62K 3/002; B62K 9/00; B62K 9/02; B62K
13/00; B62K 2202/00
See application file for complete search history.

- 6,386,330 B1 5/2002 Wei
- 6,394,213 B1 5/2002 Tsai
- D459,761 S 7/2002 Chen
- 6,416,060 B1 7/2002 Chen
- 6,462,493 B2 10/2002 Lan
- D471,597 S 3/2003 Chen
- D471,598 S 3/2003 Chen
- D475,093 S 5/2003 Furter et al.
- 6,619,416 B2 9/2003 Cheng et al.
- D486,532 S * 2/2004 Christianson D21/423
- 6,739,421 B1 5/2004 Miya
- D492,367 S 6/2004 Dennis
- D497,397 S * 10/2004 Sramek D21/423
- 6,832,660 B2 12/2004 Dodd
- D513,629 S 1/2006 Sramek

(Continued)

FOREIGN PATENT DOCUMENTS

- CH 598051 4/1978
- WO WO 2017/127464 A1 7/2017

Primary Examiner — Cynthia M Chin

(74) *Attorney, Agent, or Firm* — Knobbe, Martens, Olson & Bear LLP

(56) **References Cited**

U.S. PATENT DOCUMENTS

- 4,094,372 A 6/1978 Netter
- 5,662,187 A 9/1997 McGovern
- 6,139,035 A 10/2000 Tsai
- D433,718 S 11/2000 Mcgreen
- D435,873 S 1/2001 Lee
- D438,912 S 3/2001 Barrera
- D439,623 S 3/2001 Barrera
- D446,259 S 8/2001 Udwin et al.
- D447,187 S 8/2001 Powers
- 6,273,205 B1 8/2001 Tsai
- 6,296,082 B1 10/2001 Tsai
- 6,298,952 B1 10/2001 Tsai
- D452,284 S 12/2001 McGinnis
- D453,804 S 2/2002 Robinson
- D454,377 S 3/2002 Hsu et al.
- D456,460 S 4/2002 Tseng
- 6,378,880 B1 4/2002 Lin

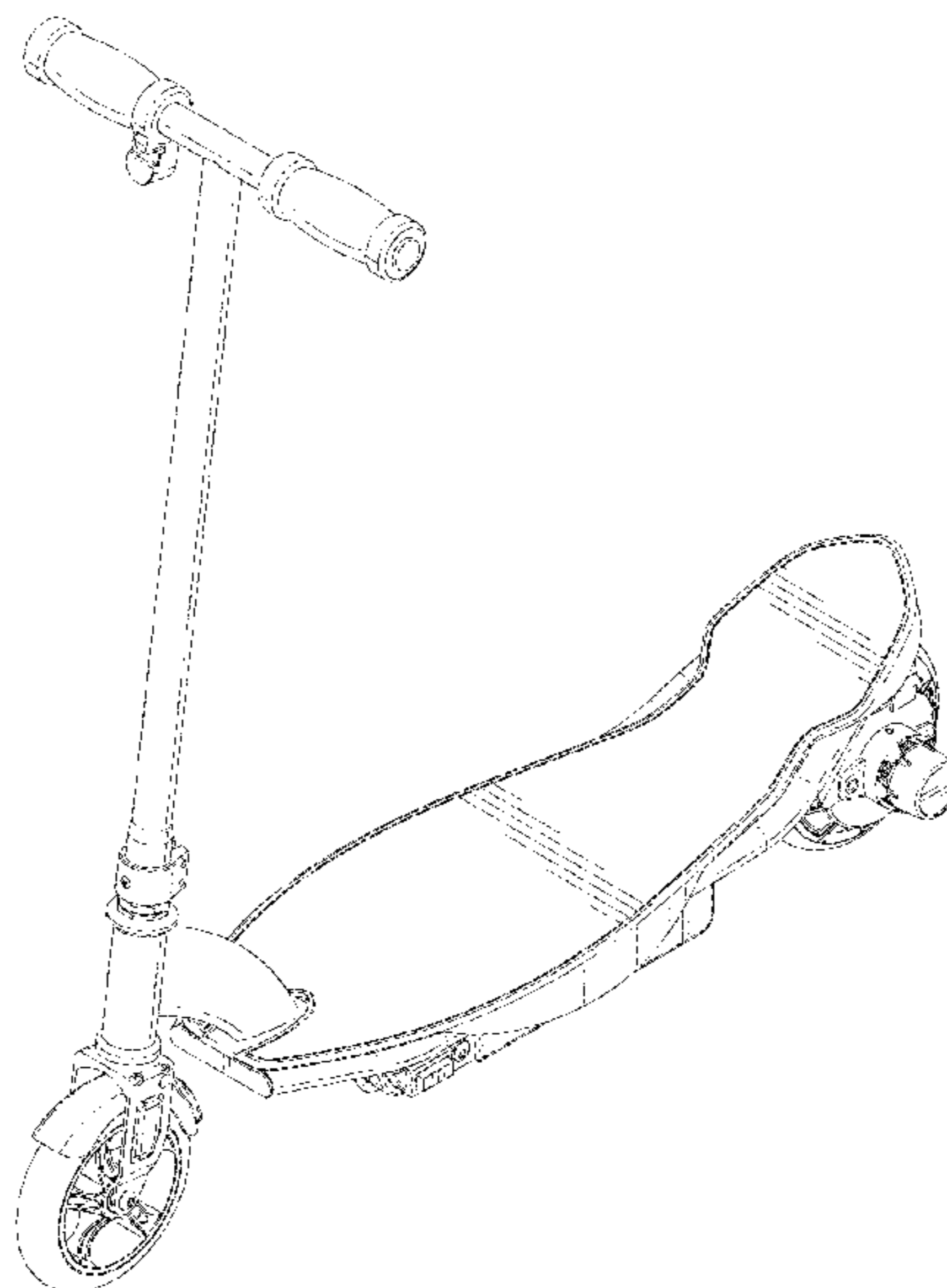
(57) **CLAIM**

The ornamental design for an electric scooter, as shown and described.

DESCRIPTION

FIG. 1 is a perspective view showing a top surface of an electric scooter of our design
 FIG. 2 is a front view thereof;
 FIG. 3 is a rear view thereof;
 FIG. 4 is a left side view thereof;
 FIG. 5 is a right side view thereof;
 FIG. 6 is a top view thereof; and,
 FIG. 7 is a bottom view thereof.
 The broken lines are for the purpose of illustrating portions of the article that form no part of the claim.

1 Claim, 6 Drawing Sheets



(56)

References Cited

U.S. PATENT DOCUMENTS

D516,132 S *	2/2006	Sramek	D21/423	D717,881 S	11/2014	Radtke et al.	
D569,447 S	5/2008	Thomas		8,925,935 B2	1/2015	Powers et al.	
D579,987 S	11/2008	Hong		D727,833 S	4/2015	Talios et al.	
D603,463 S	11/2009	Jessie, Jr.		9,045,189 B2	6/2015	Lovley, II et al.	
D645,522 S *	9/2011	Powers	D21/423	D738,435 S	9/2015	O'Connell	
D654,963 S	2/2012	Powers et al.		D748,738 S *	2/2016	Hadley	D21/423
D656,560 S	3/2012	Patterson et al.		D750,180 S *	2/2016	Edlauer	D21/423
D671,600 S	11/2012	Horne		9,321,504 B2	4/2016	Hadley et al.	
D672,400 S	12/2012	Pizzi		D756,464 S *	5/2016	Edlauer	D21/423
D684,217 S	6/2013	Hadley		D772,990 S	11/2016	Allais	
D691,671 S	10/2013	Chen et al.		D774,145 S	12/2016	Hadley et al.	
D692,963 S	11/2013	Radtke et al.		D777,844 S	1/2017	Connell	
D693,414 S *	11/2013	Hadley	D21/423	D778,806 S	2/2017	Welford	
D698,868 S	2/2014	Chan		9,592,876 B2	3/2017	Lovley, II et al.	
8,813,892 B2	8/2014	Hadley et al.		2002/0093161 A1	7/2002	Udwin et al.	
D714,396 S	9/2014	Talios		2002/0105157 A1	8/2002	Chen	
D715,870 S	10/2014	Talios		2003/0221888 A1	12/2003	McKinney, Jr. et al.	
8,870,200 B2	10/2014	Chen		2007/0045976 A1	3/2007	Wu	
				2008/0203691 A1	8/2008	Hsu	
				2013/0320648 A1	12/2013	Eckert et al.	
				2016/0347402 A1	12/2016	Hadley et al.	

* cited by examiner

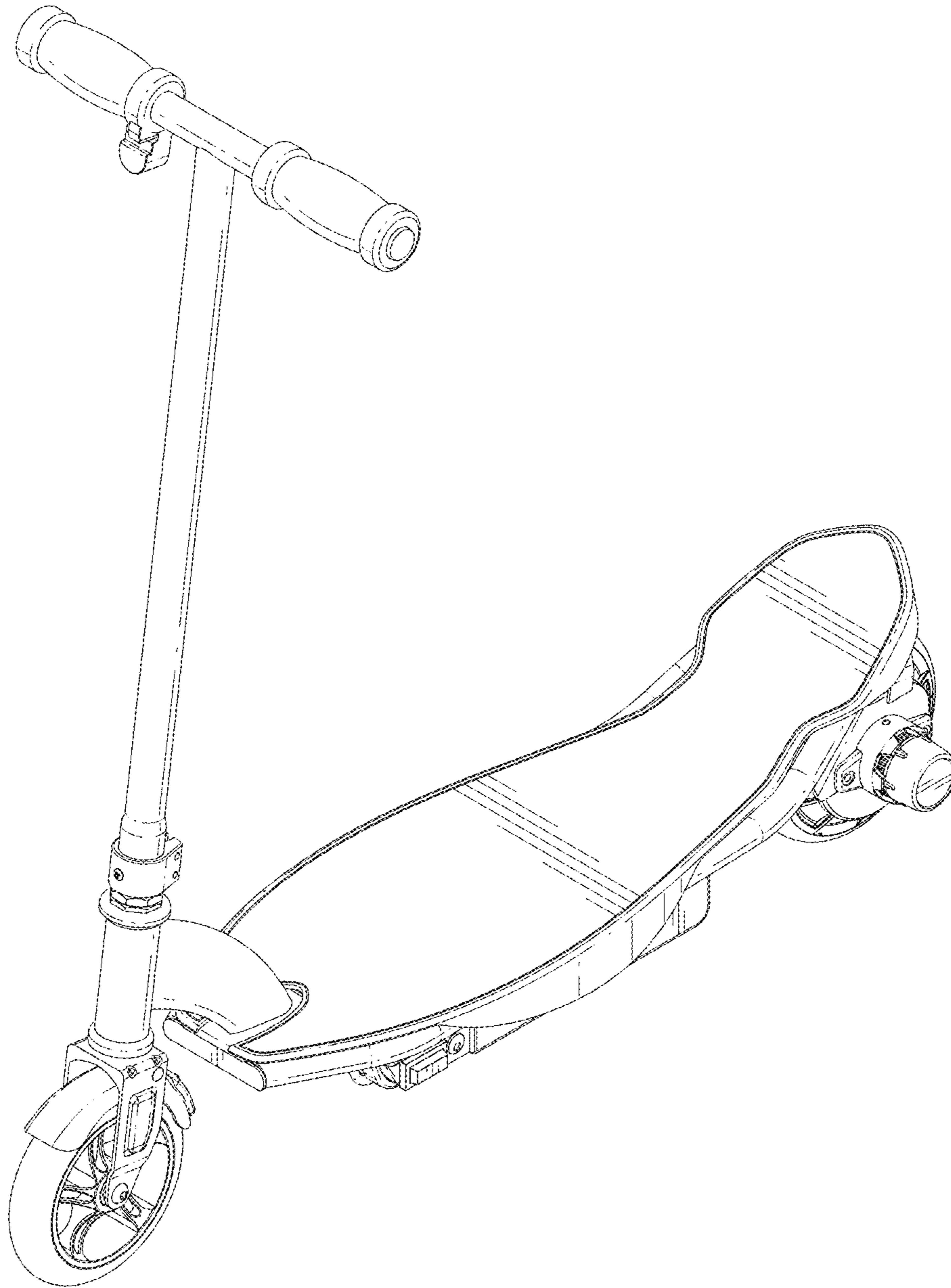


FIG. 1

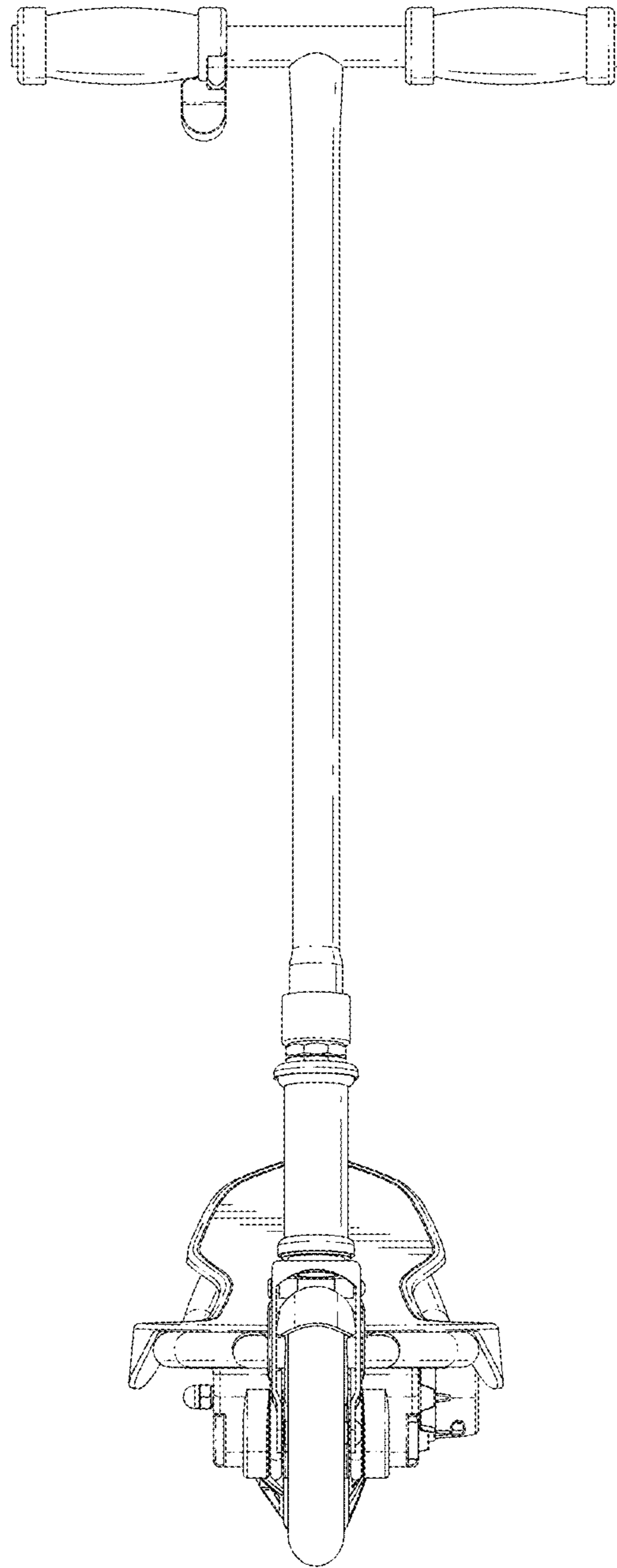


FIG. 2

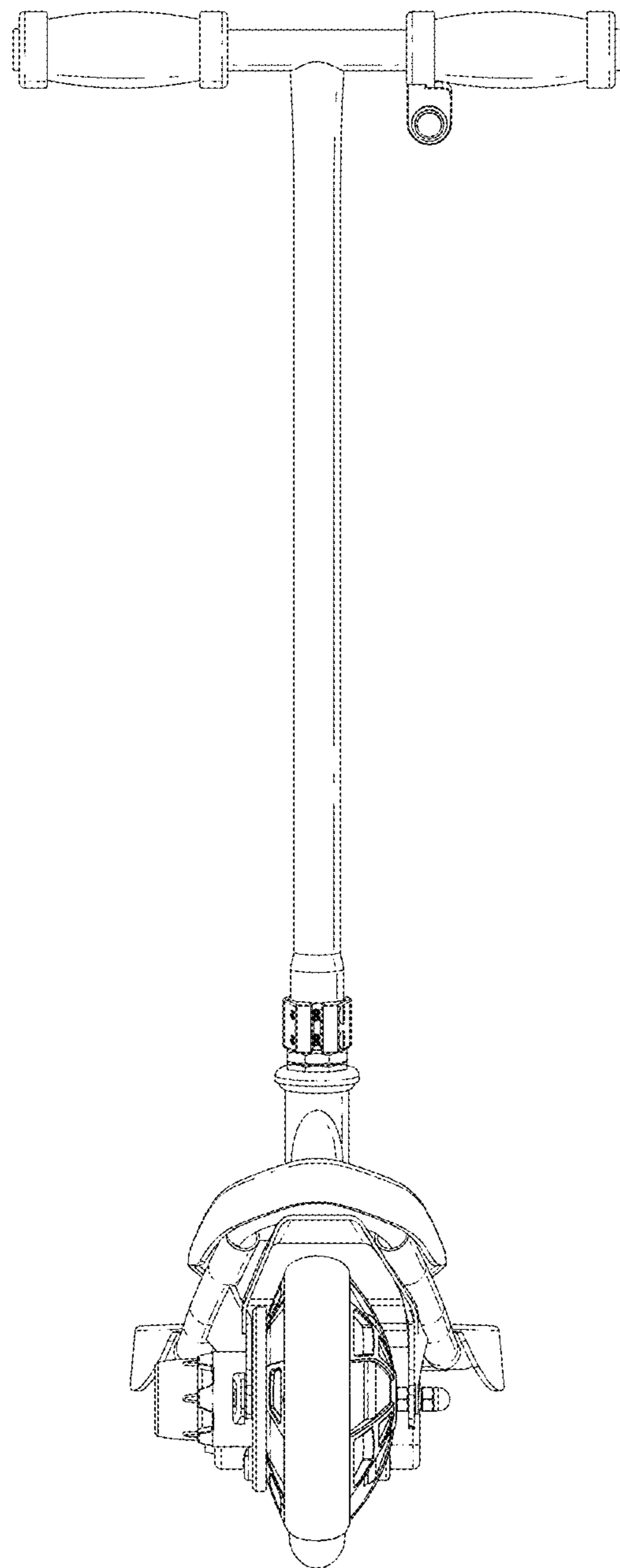


FIG. 3

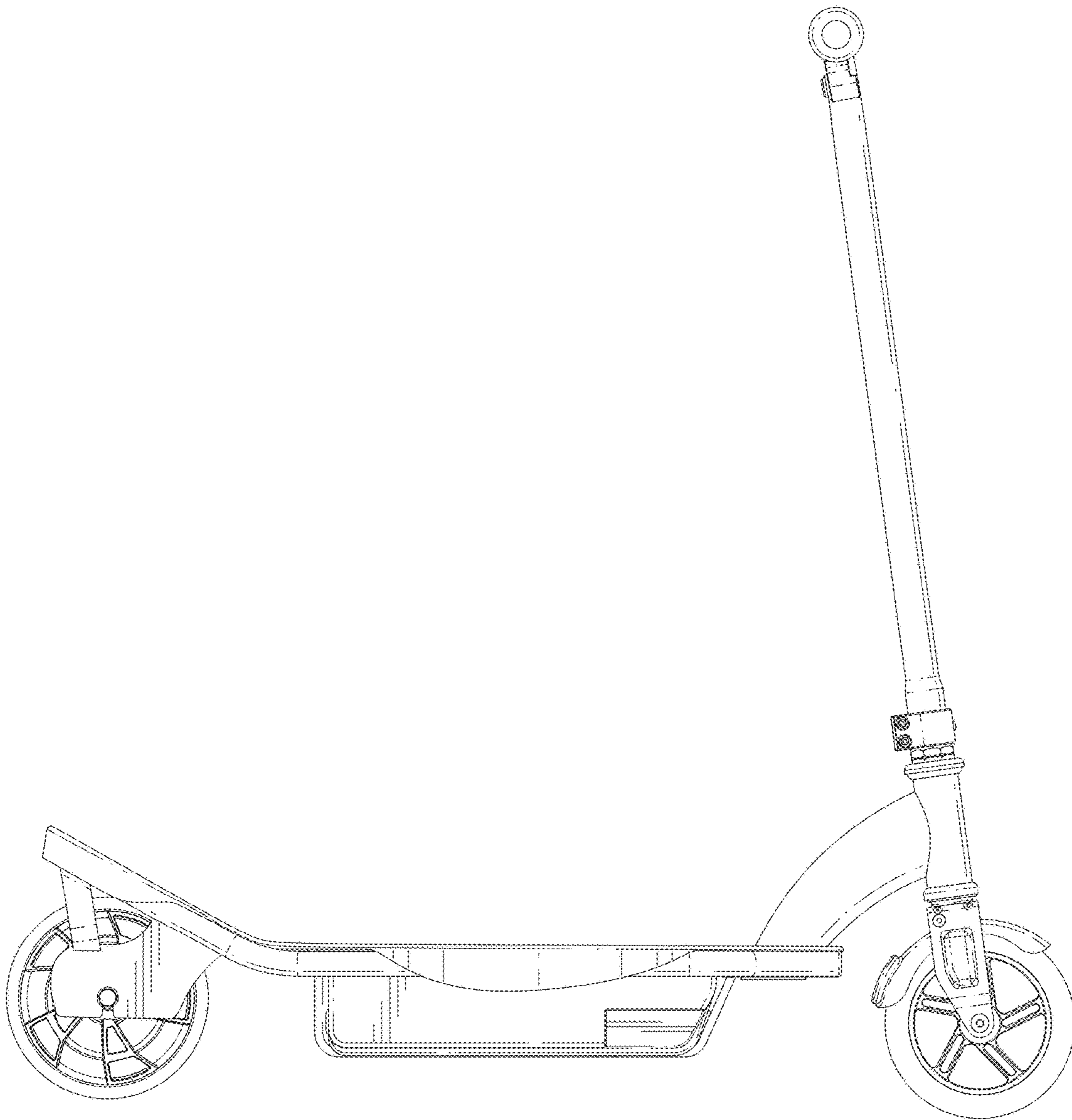


FIG. 4



FIG. 5

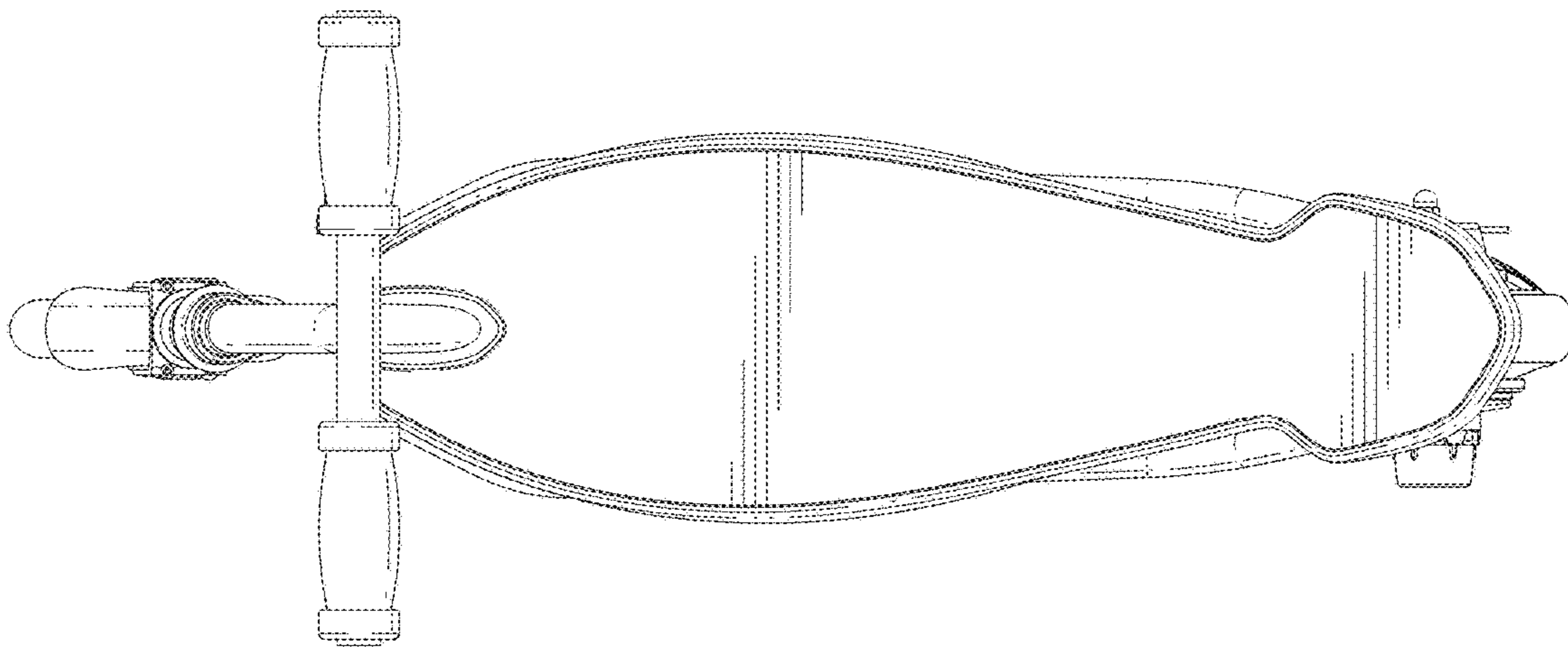


FIG. 6

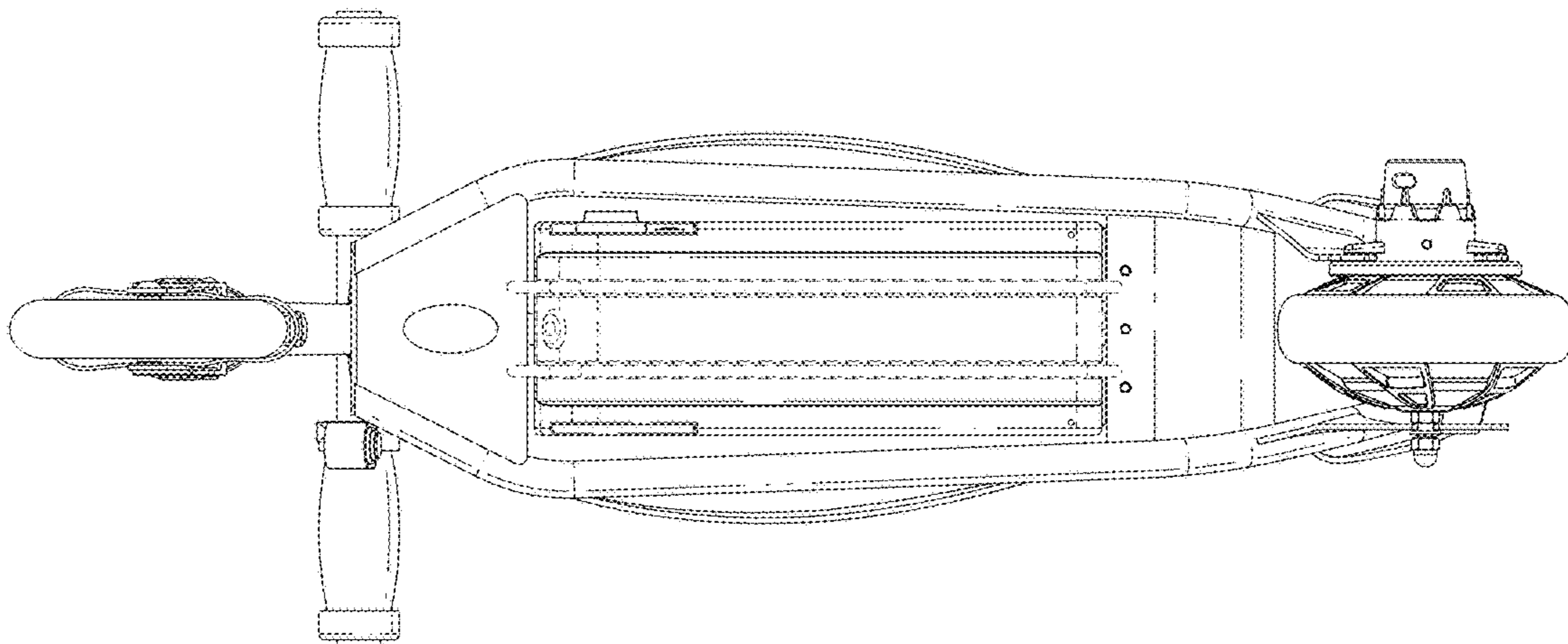


FIG. 7