



US00D810833S

(12) **United States Design Patent** (10) **Patent No.:** **US D810,833 S**
Rosander et al. (45) **Date of Patent:** **** Feb. 20, 2018**

(54) **GAMING DEVICE CABINET**

(71) Applicant: **IGT, Las Vegas, NV (US)**

(72) Inventors: **Tai Rosander, Reno, NV (US);**
Matthew A. Franich, Reno, NV (US);
Kirk A. Tedsen, Reno, NV (US)

(73) Assignee: **IGT, Las Vegas, NV (US)**

(**) Term: **15 Years**

(21) Appl. No.: **29/573,594**

(22) Filed: **Aug. 8, 2016**

Related U.S. Application Data

(63) Continuation of application No. 29/513,885, filed on Jan. 6, 2015, now Pat. No. Des. 763,361, which is a continuation of application No. 29/467,535, filed on Sep. 20, 2013, now Pat. No. Des. 723,626.

(51) **LOC (11) Cl.** **21-03**

(52) **U.S. Cl.**
USPC **D21/370; D21/385**

(58) **Field of Classification Search**
USPC D21/324–333, 369–370, 385; 273/146;
463/17.2, 42, 46–47; D14/304–305, 371
CPC A63F 5/00; A63F 5/04
See application file for complete search history.

(56) **References Cited**

U.S. PATENT DOCUMENTS

D450,310 S 11/2001 Hedrick et al.
D498,267 S 11/2004 Crouch
D525,664 S 7/2006 Cole
D539,854 S 4/2007 Luciano et al.
D560,255 S * 1/2008 Luciano, Jr. D21/370
D564,601 S 3/2008 Strahinic et al.
7,736,232 B2 6/2010 Linard et al.

D619,660 S 7/2010 Cole et al.
D622,781 S 8/2010 Lesley et al.
D633,950 S 3/2011 Terpstra et al.
D646,337 S 10/2011 Kelly et al.
D649,605 S 11/2011 Terpstra et al.
D673,621 S 1/2013 Johnson et al.
8,371,930 B1 2/2013 Saunders et al.
D685,033 S 6/2013 Wudtke
D685,435 S 7/2013 Hohman et al.
D691,665 S 10/2013 Chudek

OTHER PUBLICATIONS

Aristocrat-US | Cabinets, available at <http://www.aristocrat-us.com/#!cabinets/cwc7> Apr. 25, 2014 (2 pages).

(Continued)

Primary Examiner — Sandra L Morris

(74) *Attorney, Agent, or Firm* — Neal, Gerber & Eisenberg LLP

(57) **CLAIM**

The ornamental design for a gaming device cabinet, as shown and described herein.

DESCRIPTION

FIG. 1 is a front view of the gaming device cabinet of our new design.

FIG. 2 is a back view of the gaming device cabinet of our new design.

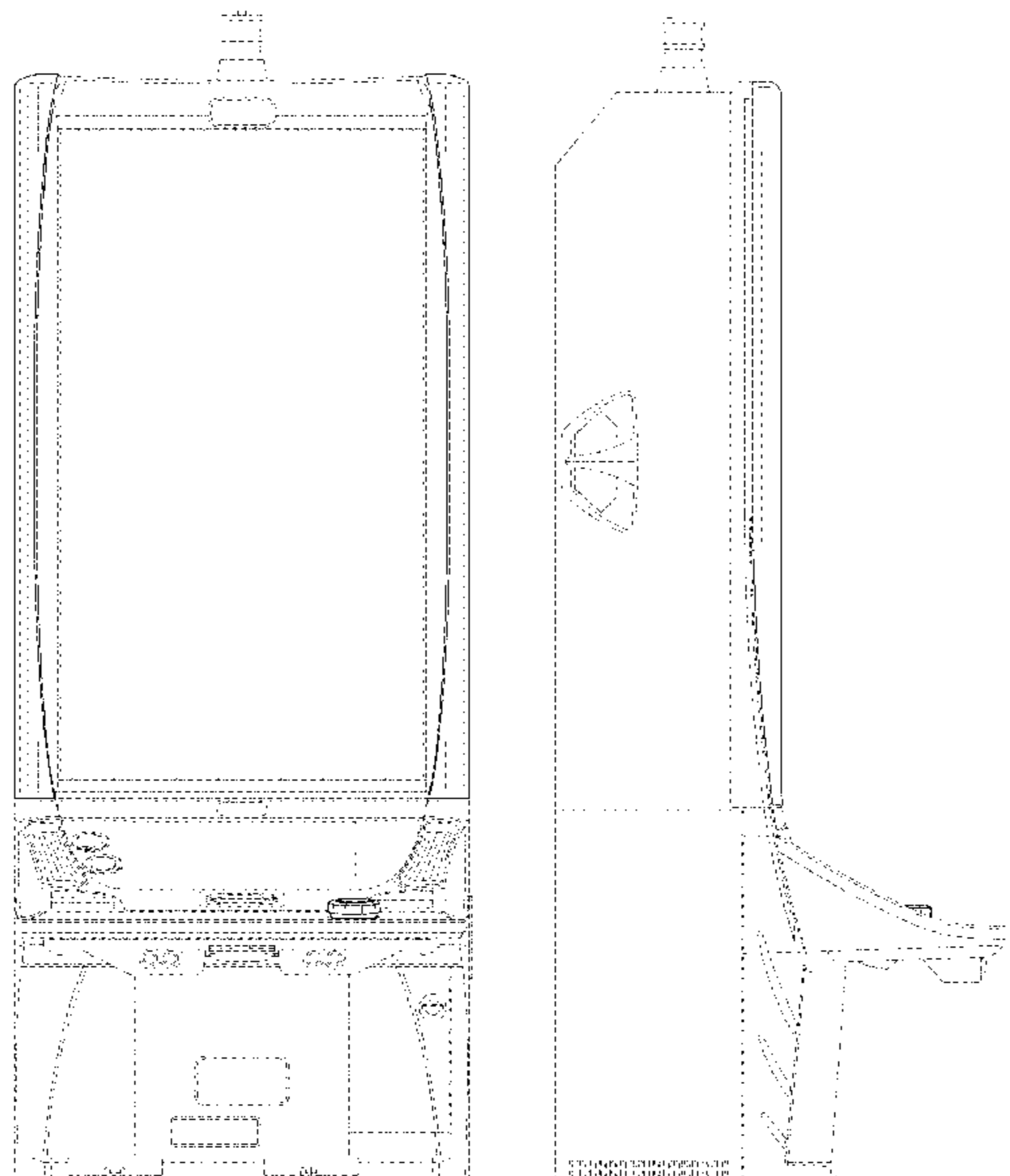
FIG. 3 is a left side view of the gaming device cabinet of our design illustrated in FIG. 1.

FIG. 4 is a right side view of the gaming device cabinet of our new design illustrated in FIG. 1; and,

FIG. 5 is a top view of the gaming device cabinet of our new design illustrated in FIG. 1.

Those portions shown in phantom are for environmental purposes only.

1 Claim, 5 Drawing Sheets



(56)

References Cited

OTHER PUBLICATIONS

Alpha 2 Pro™ Curve™, available at <http://ballytech.com/games/alpha-2-pro-curve>, Apr. 25, 2014 (1 page).
 Alpha 2 Pro™ Curve with Rotating Pointer, available at <http://ballytech.com/games/alpha-2-pro-curve-with-Rotating-Pointer>, Apr. 25, 2014 (1 page).
 Alpha 2 Pro™ Stepper, available at <http://ballytech.com/games/alpha-2-pro-stepper>, Apr. 25, 2014 (1 page).
 Alpha 2 Pro™ V22/22, available at <http://ballytech.com/Games/alpha-2-pro-v22-22>, Apr. 25, 2014 (1 page).
 Alpha 2 Pro™ V32, available at <http://ballytech.com/games/alpha-2-pro-v32>, Apr. 25, 2014 (1 page).
 Alpha 2 Pro™ Wave™, available at <http://ballytech.com/games/alpha-2-pro-wave>, Apr. 25, 2014 (1 page).
 Blade Brochure, copyright WMS Gaming Inc. 2012 (10 pages).
 Bluebird® 2e Mechanical Advertisement, copyright WMS Gaming Inc. 2012 (2 pages).
 Bluebird® 2e Video Advertisement, copyright WMS Gaming Inc. 2012 (2 pages).
 E20 Upright Advertisement, copyright IGT 2012 (1 page).

Equinox™, available at <http://ballytech.com/games/Equinox>, Apr. 25, 2014 (1 page).
 G20 Bar Top Advertisement, copyright IGT 2011 (1 page).
 G20 Version 2 Advertisement, copyright IGT 2011 (1 page).
 G23V2 Premium Widescreen Machine, copyright IGT 2012 (1 page).
 Introducing Gamefield xD™, available at <http://web.archive.org/web/20130904165828/http://now.wms.com/gamefieldxd>, Apr. 25, 2014 (5 pages).
 Introduction to Slots and Video Gaming, copyright IGT 2005, pp. 1, 3, 7, 14, 25, 28, 29, 30, 34, 73, 74, 75 and 78 (13 pages).
 iView Small Display-Big Impact, available at <http://ballytech.com/Systems/Marketing/iVIEW>, Apr. 25, 2014 (1 page).
 Premium Games, available at <http://ballytech.com/games/premium-games/>, Apr. 25, 2014 (1 page).
 S AVP Machine Advertisement, copyright IGT 2012 (1 page).
 S MLD Advertisement, copyright IGT 2011 (1 page).
 Universal Slant 32 Advertisement, copyright IGT 2012 (1 page).
 Universal Slant Machine Advertisement, copyright IGT 2012 (1 page).
 XD Brochure, copyright WMS Gaming Inc. 2010 (11 pages).

* cited by examiner

FIG. 1

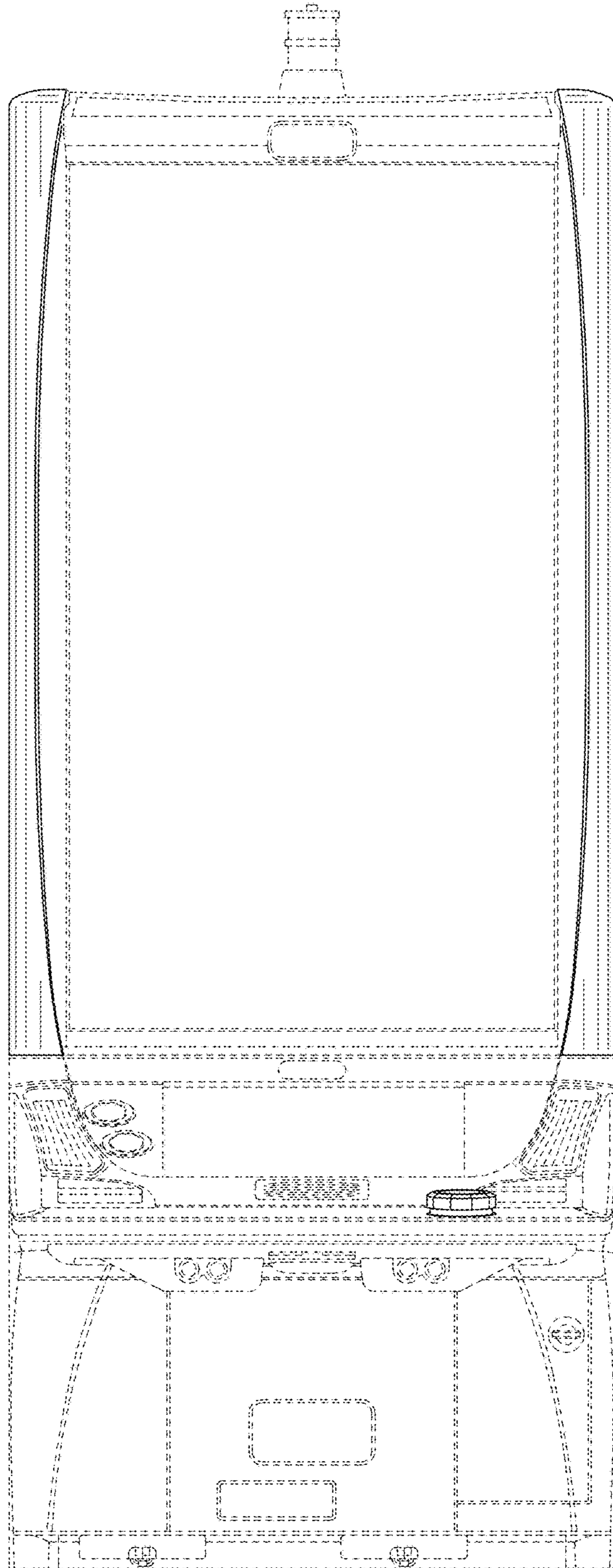


FIG. 2

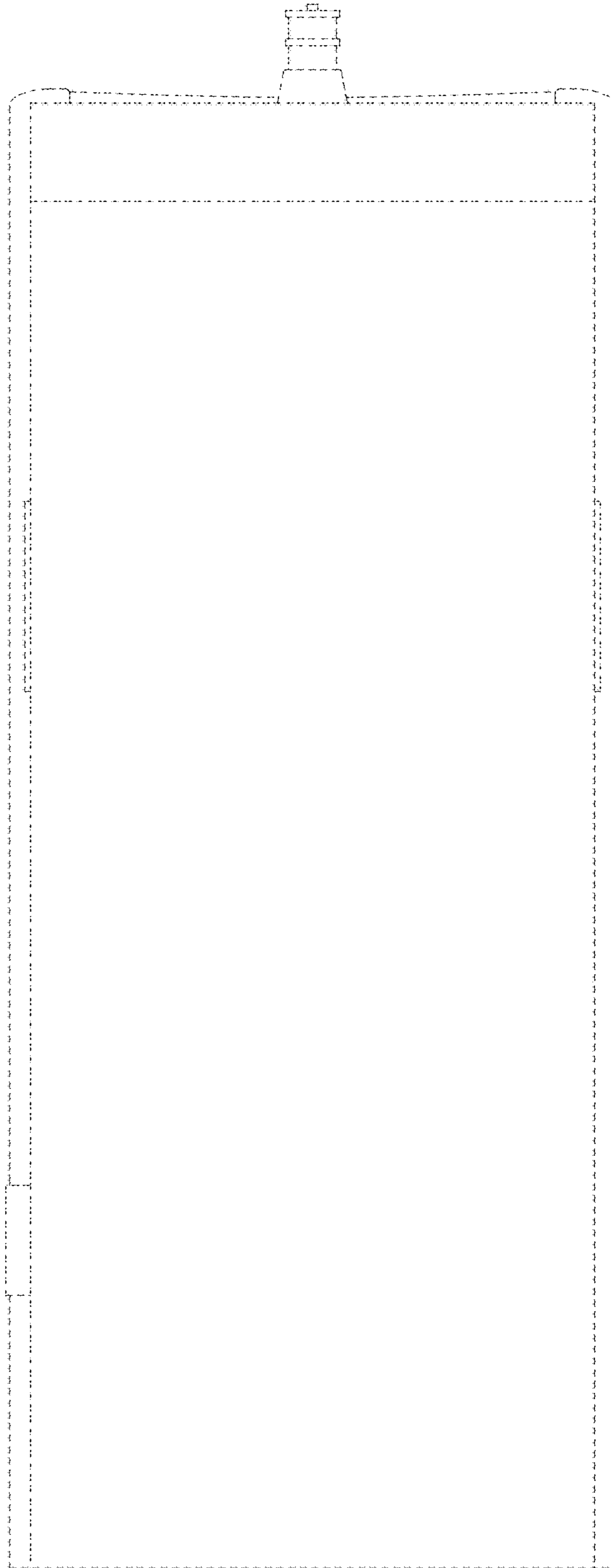


FIG. 3

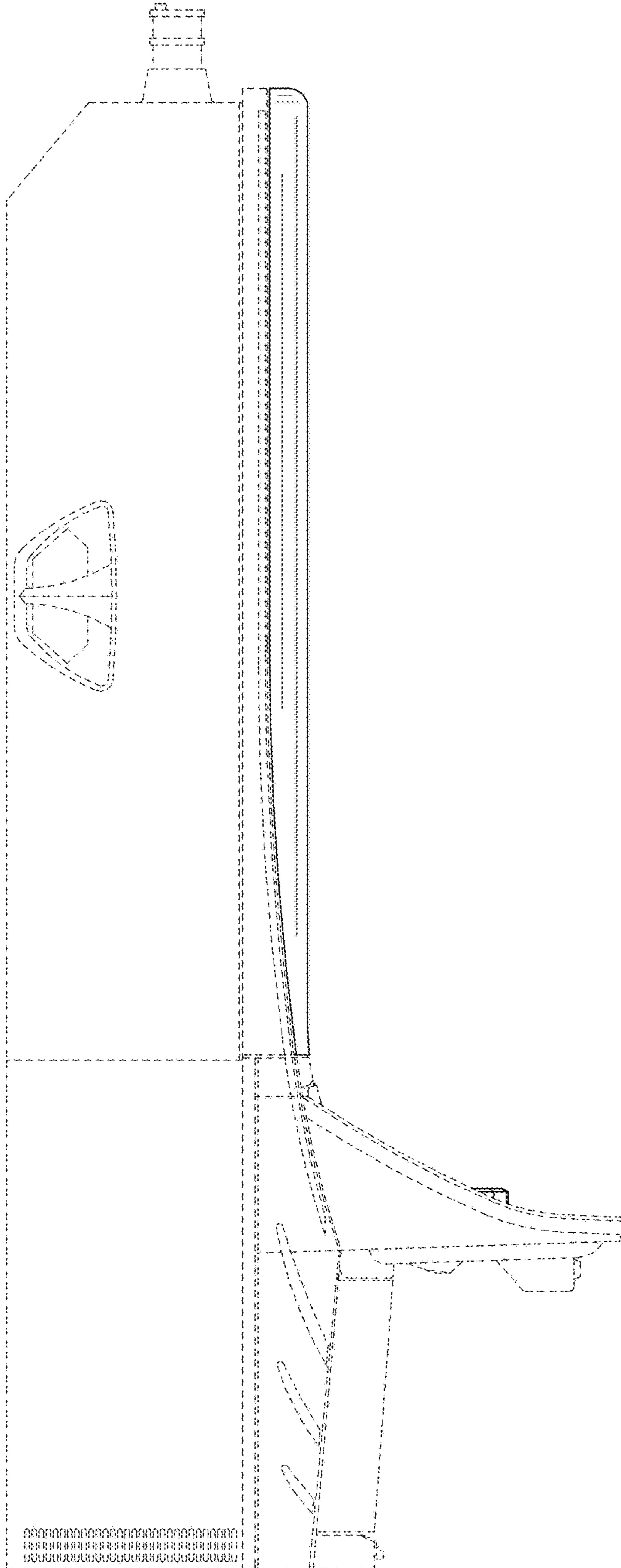


FIG. 4

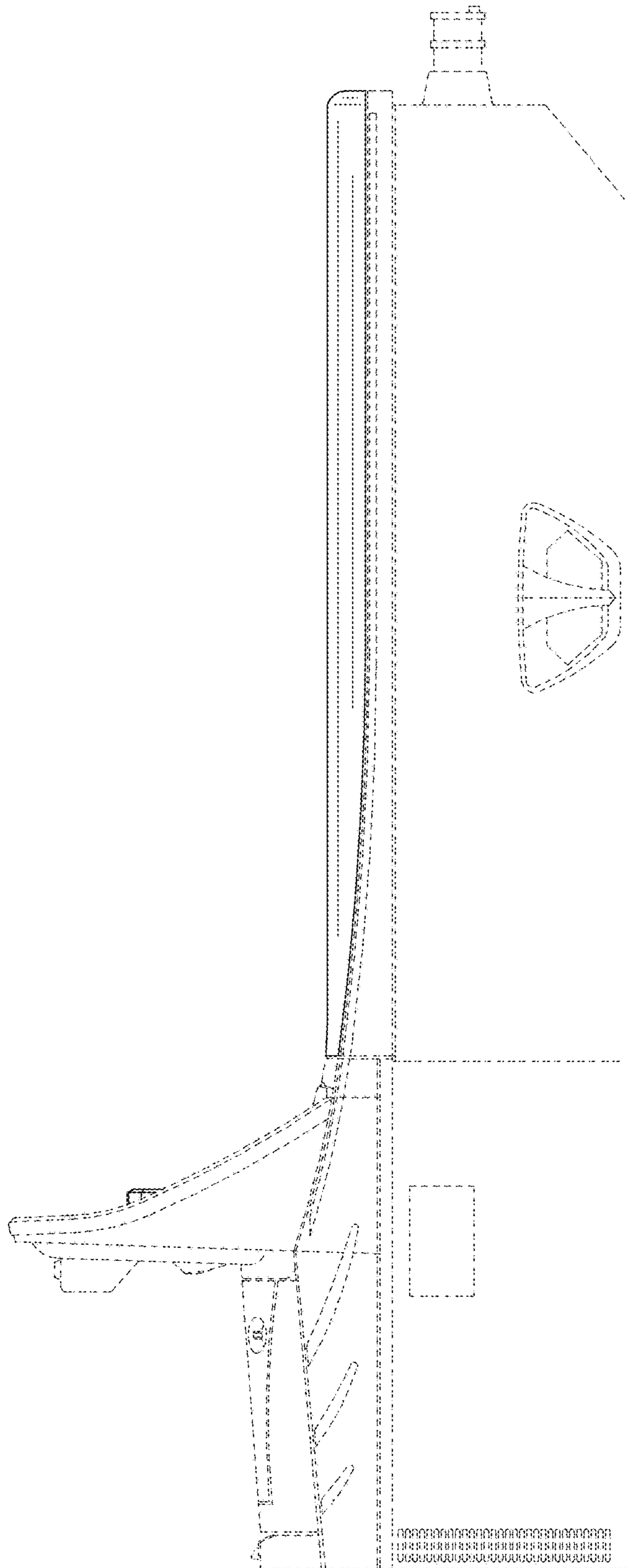


FIG. 5

