



US00D810832S

(12) **United States Design Patent**
Peng

(10) **Patent No.:** **US D810,832 S**

(45) **Date of Patent:** **** Feb. 20, 2018**

- (54) **GAME CONSOLE SUPPORT**
- (71) Applicant: **Zihao Peng**, Guangdong (CN)
- (72) Inventor: **Zihao Peng**, Guangdong (CN)
- (73) Assignee: **Shenzhen Jinhe Global Electronics Co., Ltd.**, Xixiang Sub-dist., Baoan Dist., Shenzhen, Guangdong (CN)
- (**) Term: **15 Years**
- (21) Appl. No.: **29/590,142**
- (22) Filed: **Jan. 6, 2017**
- (51) **LOC (11) Cl.** **21-01**
- (52) **U.S. Cl.**
USPC **D21/333; D14/434; D14/432**
- (58) **Field of Classification Search**
USPC D14/217, 209.1, 432-434, 447, 188, 356, D14/251; D21/332, 333, 324; D13/107, D13/108, 146; 361/679.4, 361/679.31-679.33, 679.55; 455/347-357; 273/148 B; 463/1, 29-35, 463/46, 47
CPC A47B 21/04; A47B 2097/005; A47B 2023/049
See application file for complete search history.

- 6,241,247 B1 * 6/2001 Sternberg A63F 13/06 273/148 B
- D558,209 S * 12/2007 Ikeda D14/434
- D585,898 S * 2/2009 Skurdal D14/434
- D627,832 S * 11/2010 Xu D21/333
- 8,136,785 B1 * 3/2012 Polster A47B 23/043 248/444.1
- D660,304 S * 5/2012 Vroom D14/434
- D680,541 S * 4/2013 Lee D14/217
- D708,619 S * 7/2014 Sogabe D14/209.1
- D768,639 S * 10/2016 Sumii D14/447
- 9,583,955 B2 * 2/2017 Navid H02J 7/0045

* cited by examiner

Primary Examiner — Prabhakar G Deshmukh

(57) **CLAIM**

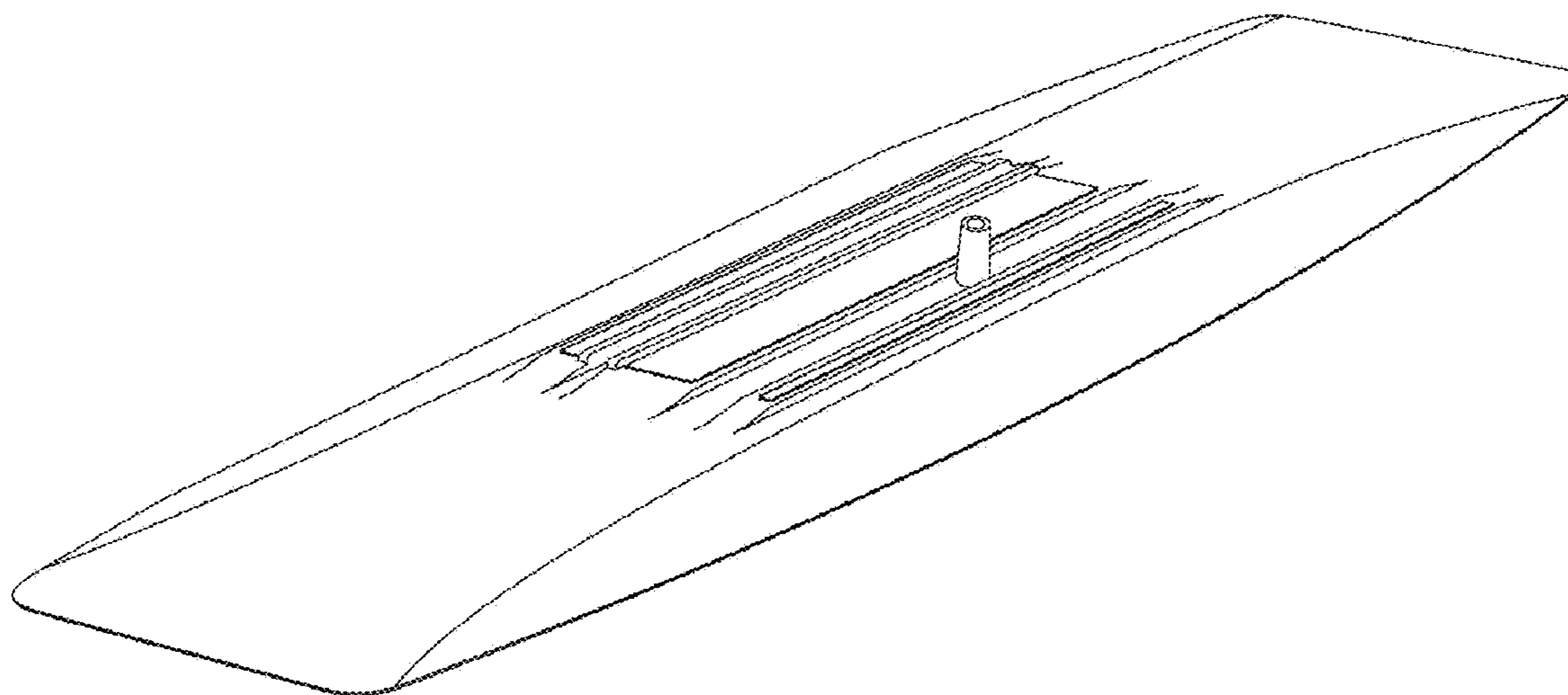
The ornamental design for game console support, as shown and described.

DESCRIPTION

FIG. 1 is a front elevational view of a game console support showing my new design;
 FIG. 2 is a rear elevational view thereof;
 FIG. 3 is a left side elevational view thereof;
 FIG. 4 is a right side elevational view thereof;
 FIG. 5 is a top plan view thereof;
 FIG. 6 is a bottom plan view thereof; and,
 FIG. 7 is a top perspective view thereof.

1 Claim, 7 Drawing Sheets

- (56) **References Cited**
U.S. PATENT DOCUMENTS
4,512,480 A * 4/1985 Evenson B42F 17/12 108/60
4,594,802 A * 6/1986 Field G09F 3/18 40/661



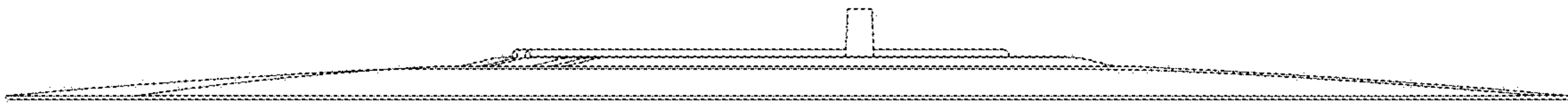


FIG.1

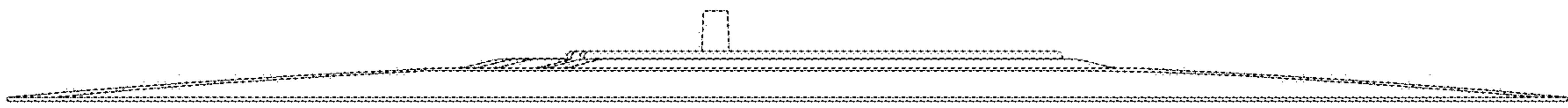


FIG.2

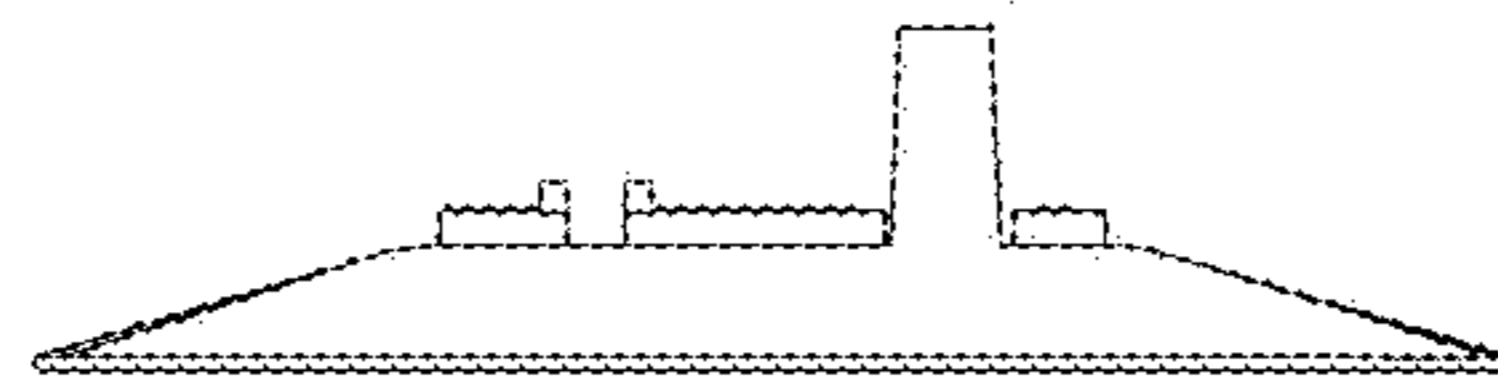


FIG.3

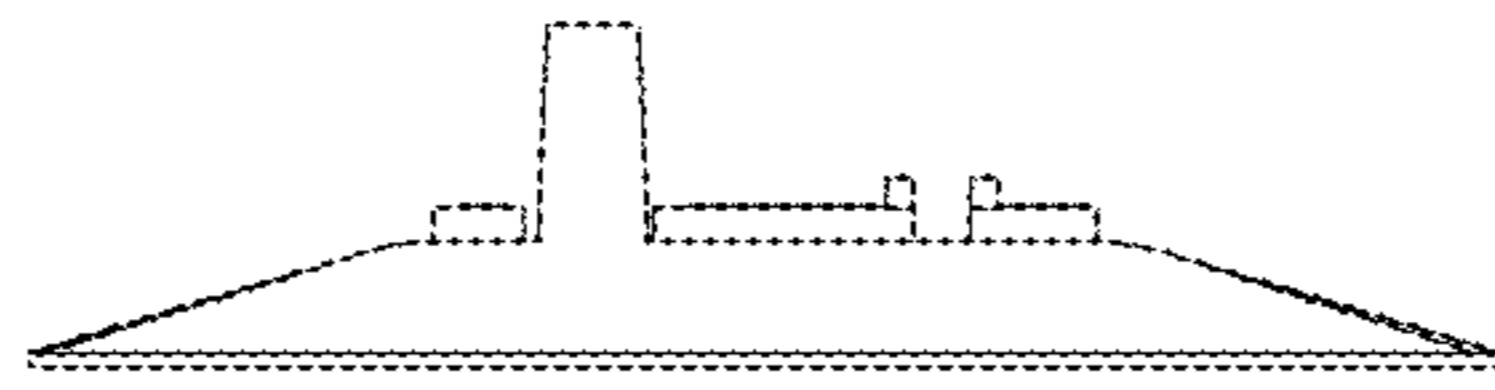


FIG.4

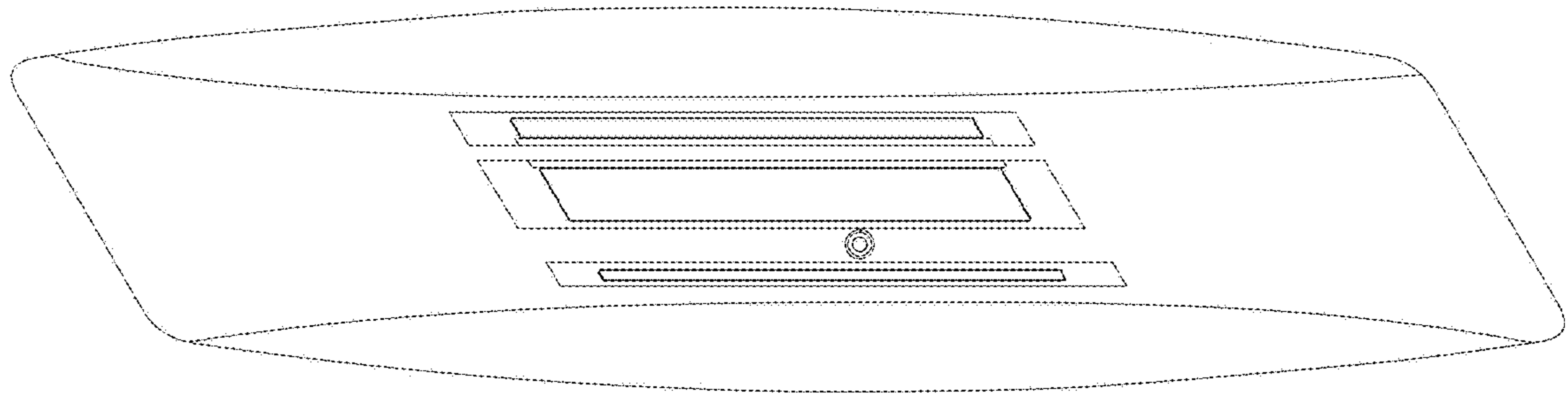


FIG.5

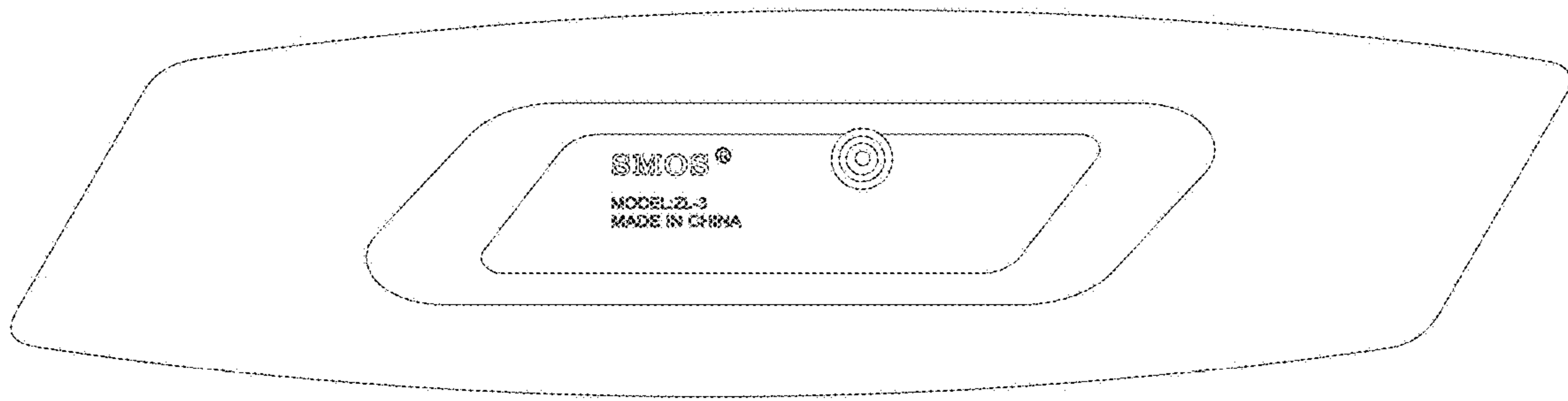


FIG. 6

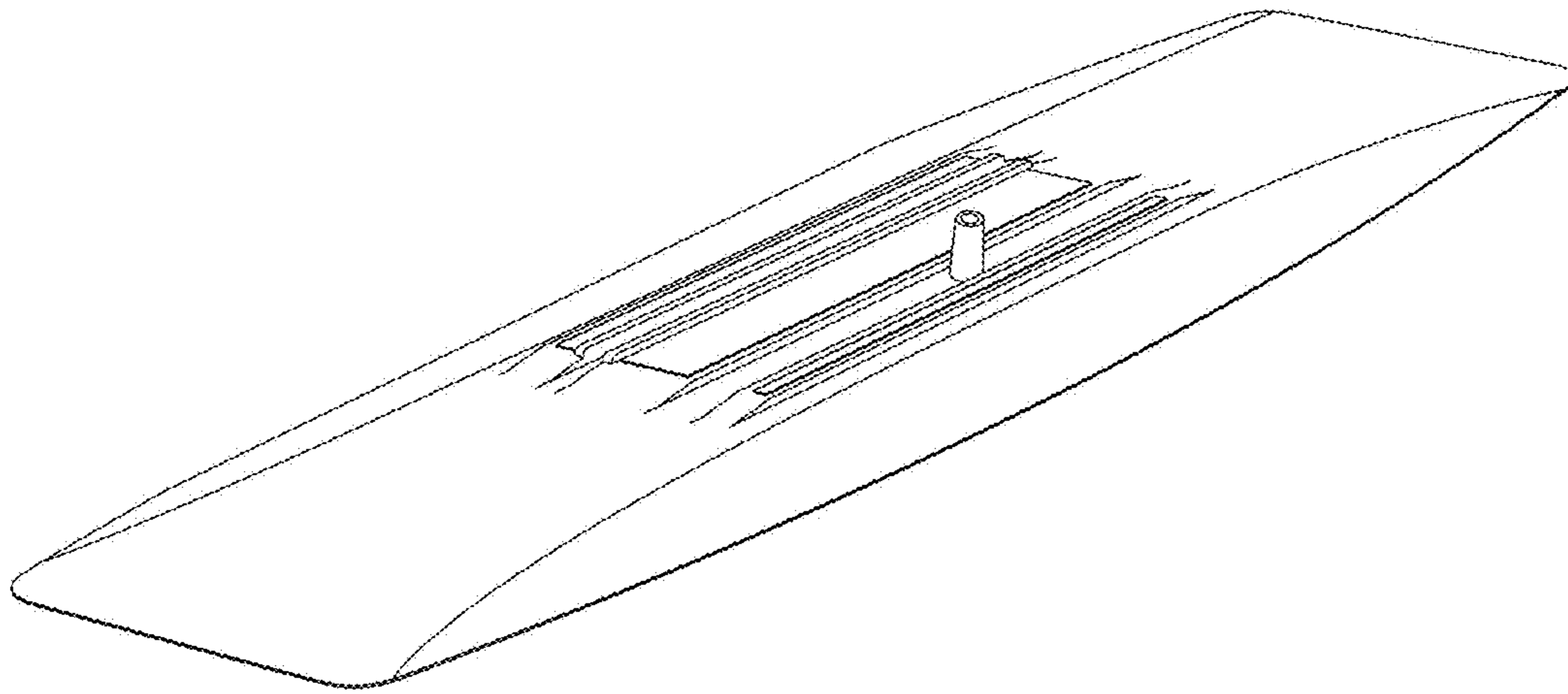


FIG.7