



US00D810831S

(12) **United States Design Patent** (10) **Patent No.:** **US D810,831 S**
Ali et al. (45) **Date of Patent:** **** Feb. 20, 2018**

(54) **ADAPTER FOR A VIDEO GAME CONTROLLER**
(71) Applicant: **COLLECTIVE MINDS GAMING CO. LTD.**, Maple Ridge (CA)
(72) Inventors: **Darren Ali**, Maple Ridge (CA); **Ken Dornbusch**, Maple Ridge (CA)
(73) Assignee: **COLLECTIVE MINDS GAMING CO. LTD.**, Maple Ridge (CA)
(**) Term: **15 Years**
(21) Appl. No.: **29/556,702**
(22) Filed: **Mar. 2, 2016**
(51) **LOC (11) Cl.** **21-01**
(52) **U.S. Cl.**
USPC **D21/333**; D14/401
(58) **Field of Classification Search**
USPC D14/399-401, 412-416; D21/324, 333;
273/148 B; 463/1, 29-39, 46, 47;
345/156-161, 905
CPC A63F 13/02; A63F 13/00; A63F 11/00;
A63F 3/00; A63F 9/00; G06F 17/00;
G06F 19/00; G06F 17/32; G06F 3/00
See application file for complete search history.

D708,675 S * 7/2014 Delrue D21/333
D733,802 S * 7/2015 Burgess D14/401
D752,150 S * 3/2016 Young D14/401
D752,688 S * 3/2016 Jensen D21/328
D777,260 S * 1/2017 Burgess D21/333
D778,989 S * 2/2017 Ali D21/333

* cited by examiner

Primary Examiner — Prabhakar G Deshmukh
(74) *Attorney, Agent, or Firm* — Bennett Jones LLP

(57) **CLAIM**

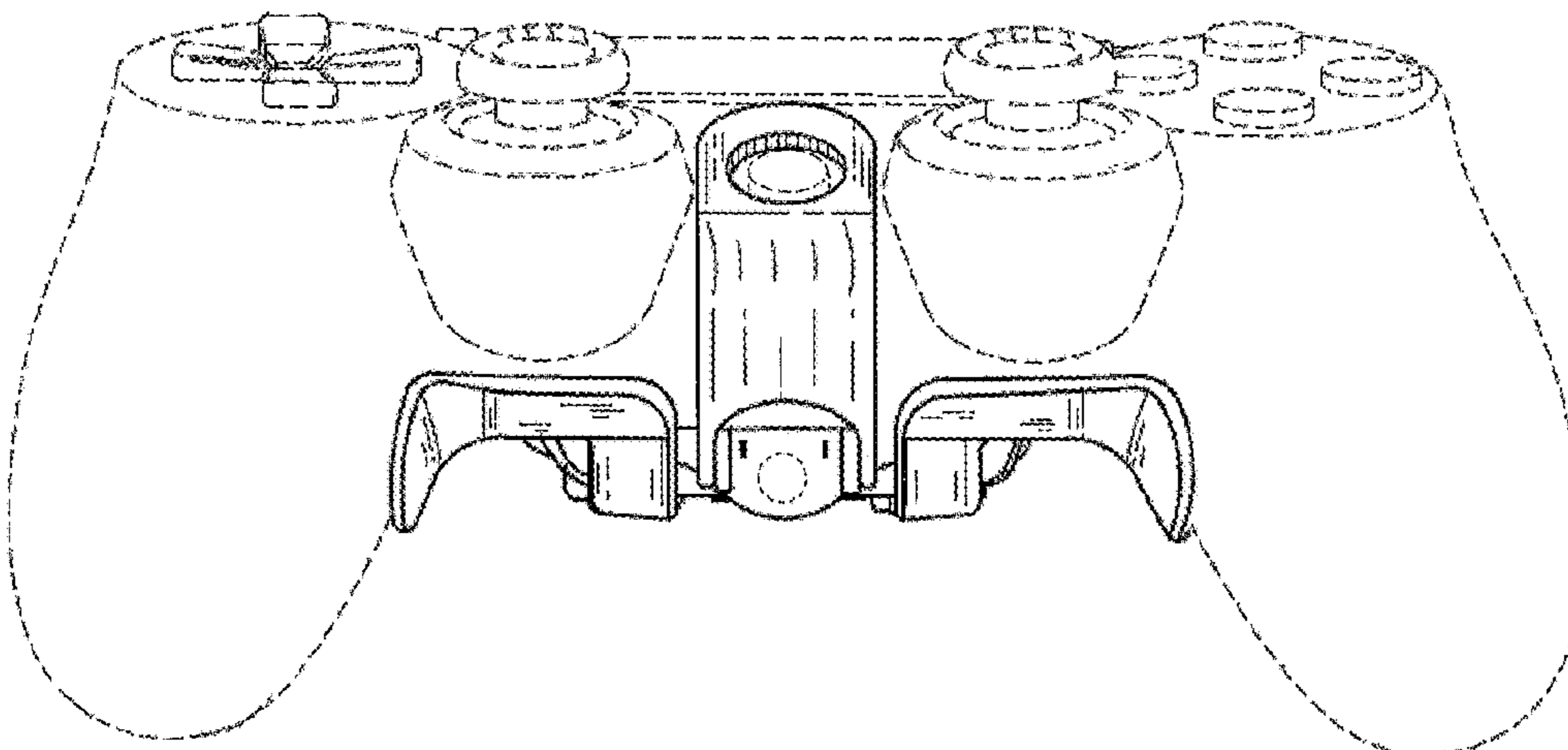
The ornamental design for an adapter for a video game controller, as shown and described.

DESCRIPTION

FIG. 1 is a front elevational view of an adapter for a video game controller showing my new design; FIG. 2 is a top plan view of FIG. 1; FIG. 3 is a bottom plan view of FIG. 1; FIG. 4 is a rear elevation view of FIG. 1; FIG. 5 is an enlarged top plan view of the adapter shown separately for clarity; FIG. 6 is a left side elevational view of FIG. 5, the right side elevational view being a mirror image thereof; FIG. 7 is a front elevational view of FIG. 5; and, FIG. 8 is a rear elevational view of FIG. 5. In FIGS. 1, 3, 4, 5, 7, and 8 all broken lines within the boundaries of the adapter shown in solid lines represent parts of the adapter that do not form part of the claimed design, and that are shown for illustrative purposes only. In FIGS. 1 to 4, all other broken lines represent the environment of the video game controller, which does not form part of the claimed design and that is shown for illustrative purposes only.

1 Claim, 8 Drawing Sheets

(56) **References Cited**
U.S. PATENT DOCUMENTS
5,883,690 A * 3/1999 Meyers A63F 13/02
345/157
6,811,491 B1 * 11/2004 Levenberg A63F 13/02
273/148 B
7,762,553 B2 * 7/2010 Harris A63F 13/02
273/148 B
D638,017 S * 5/2011 Ortiz D14/401
D706,874 S * 6/2014 Ngoy D21/329



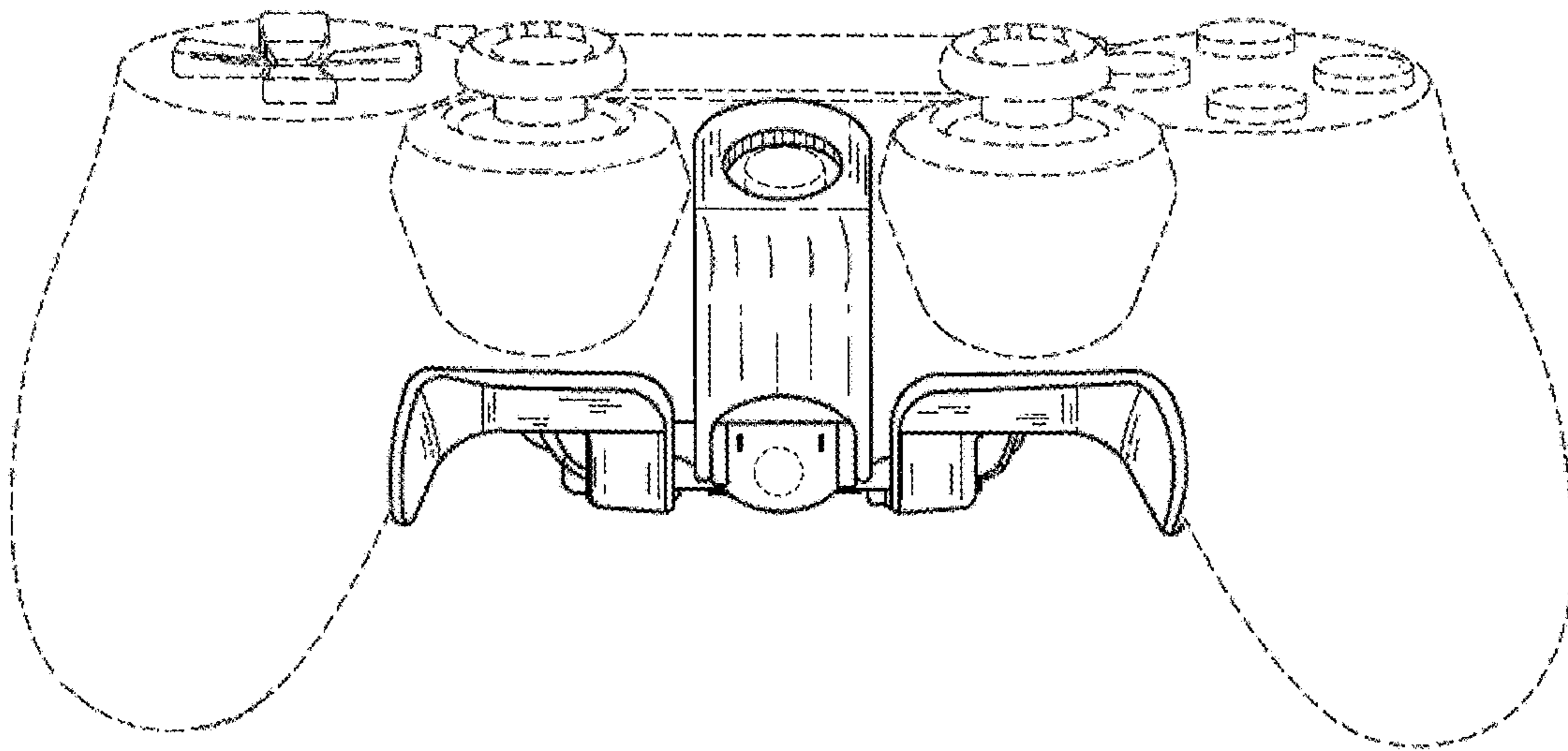


FIG. 1

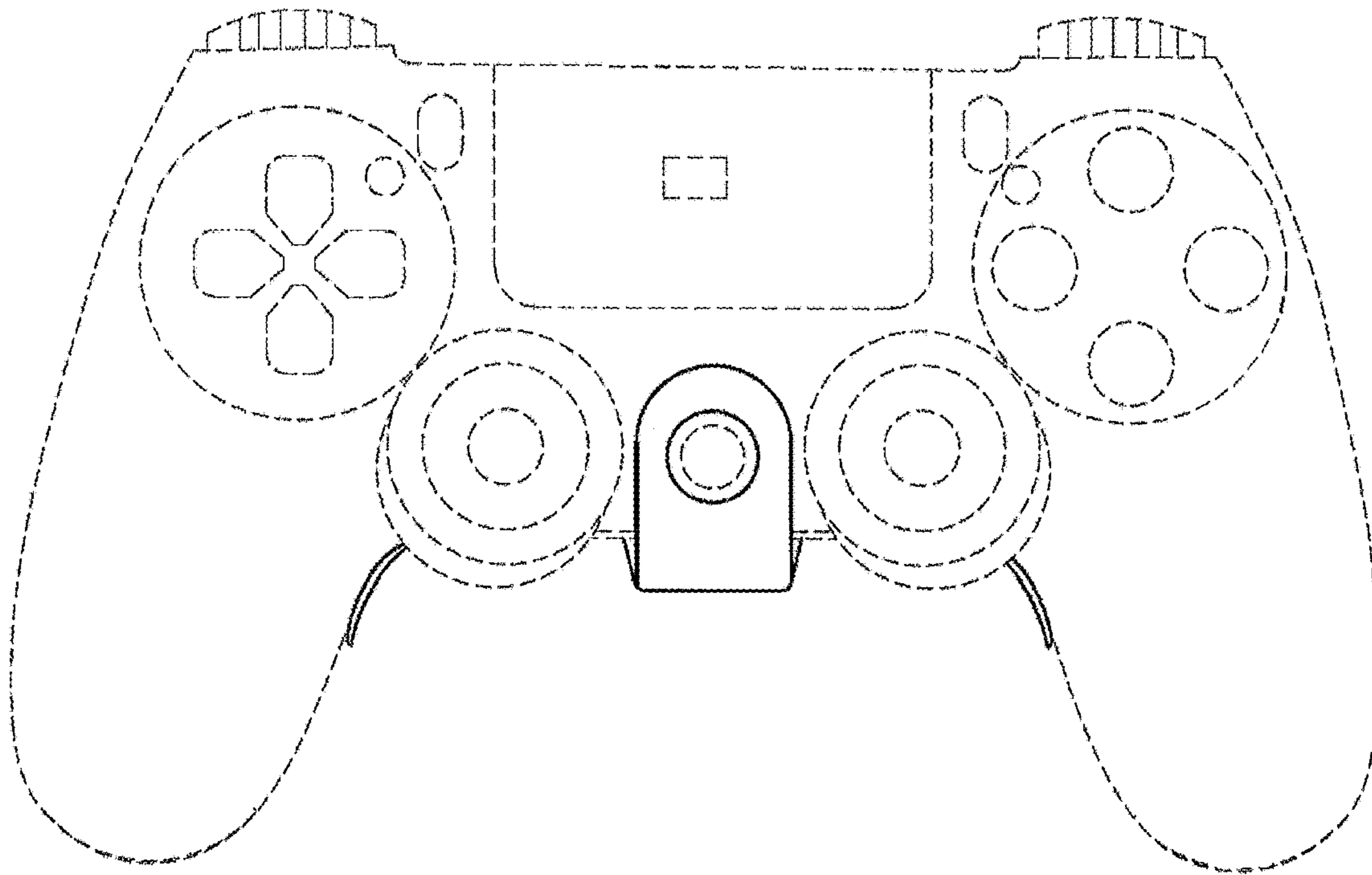


FIG. 2

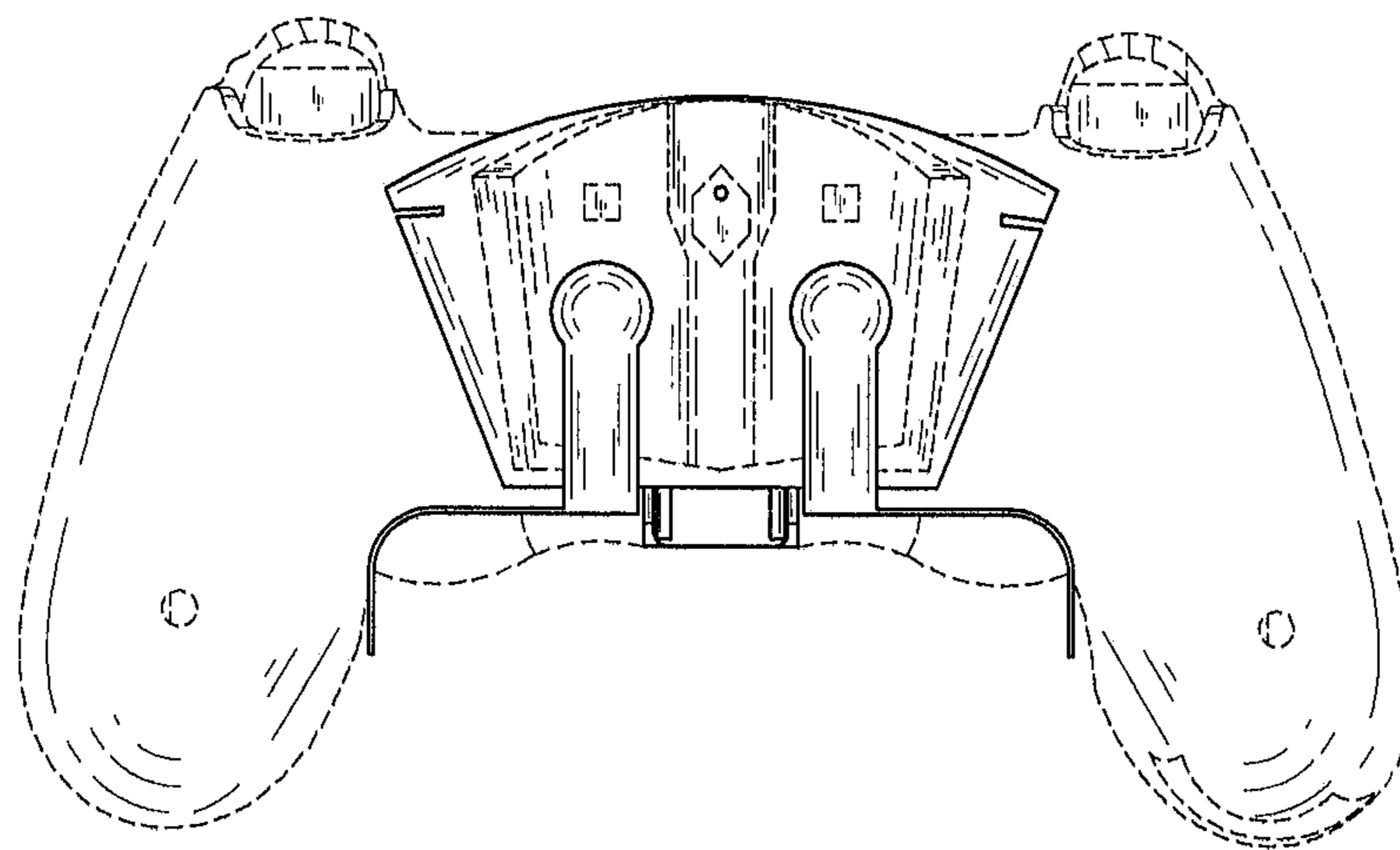


FIG. 3

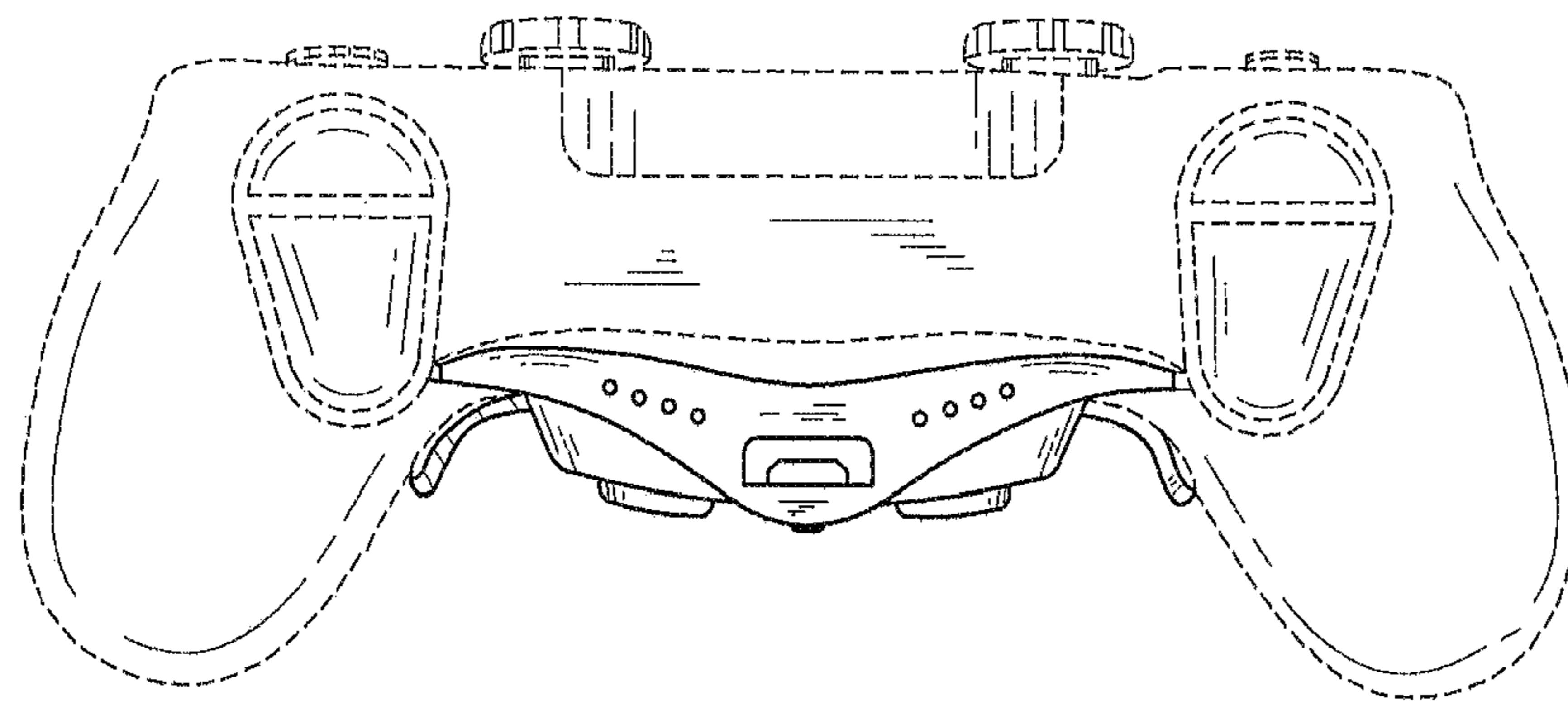


FIG. 4

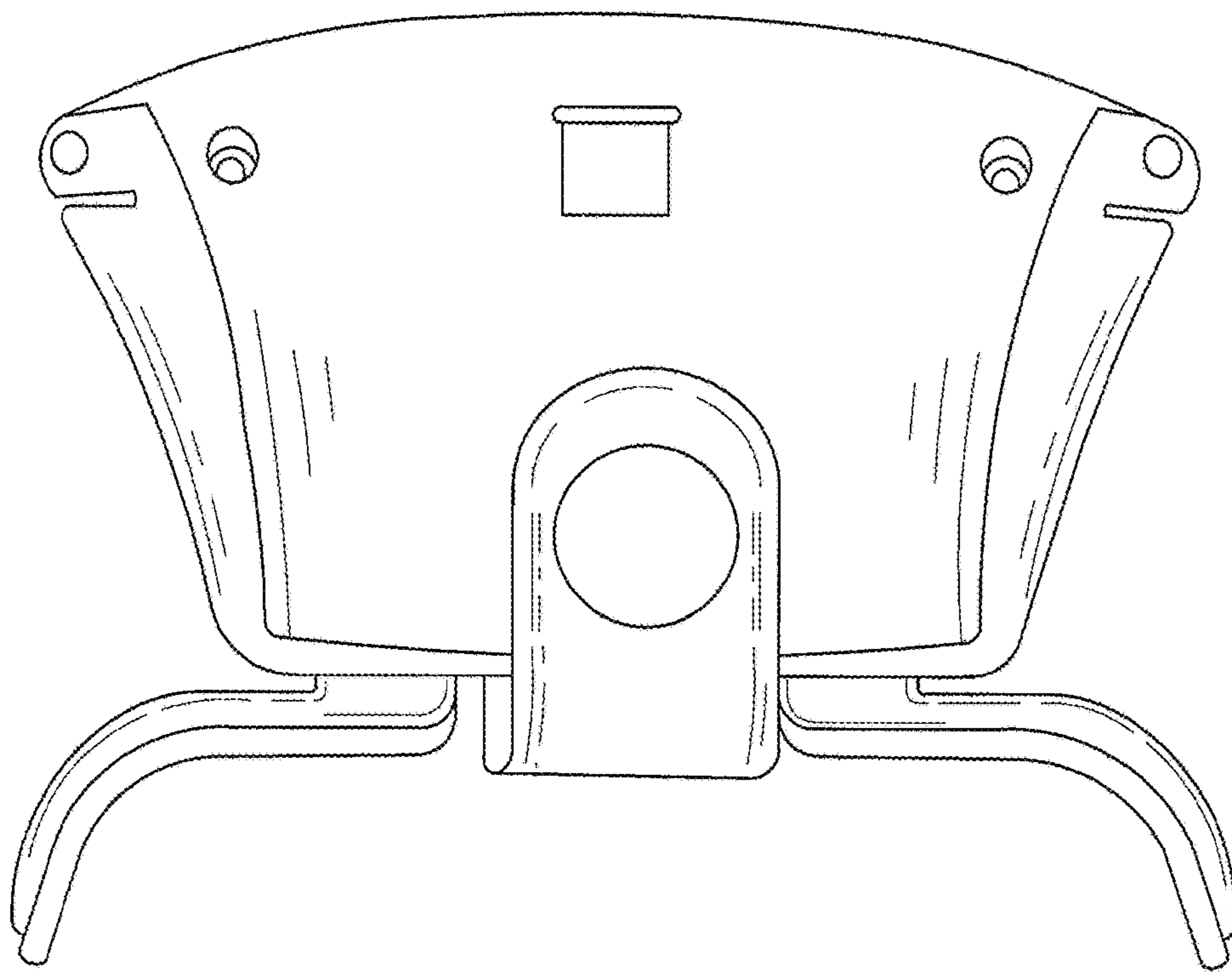


FIG. 5

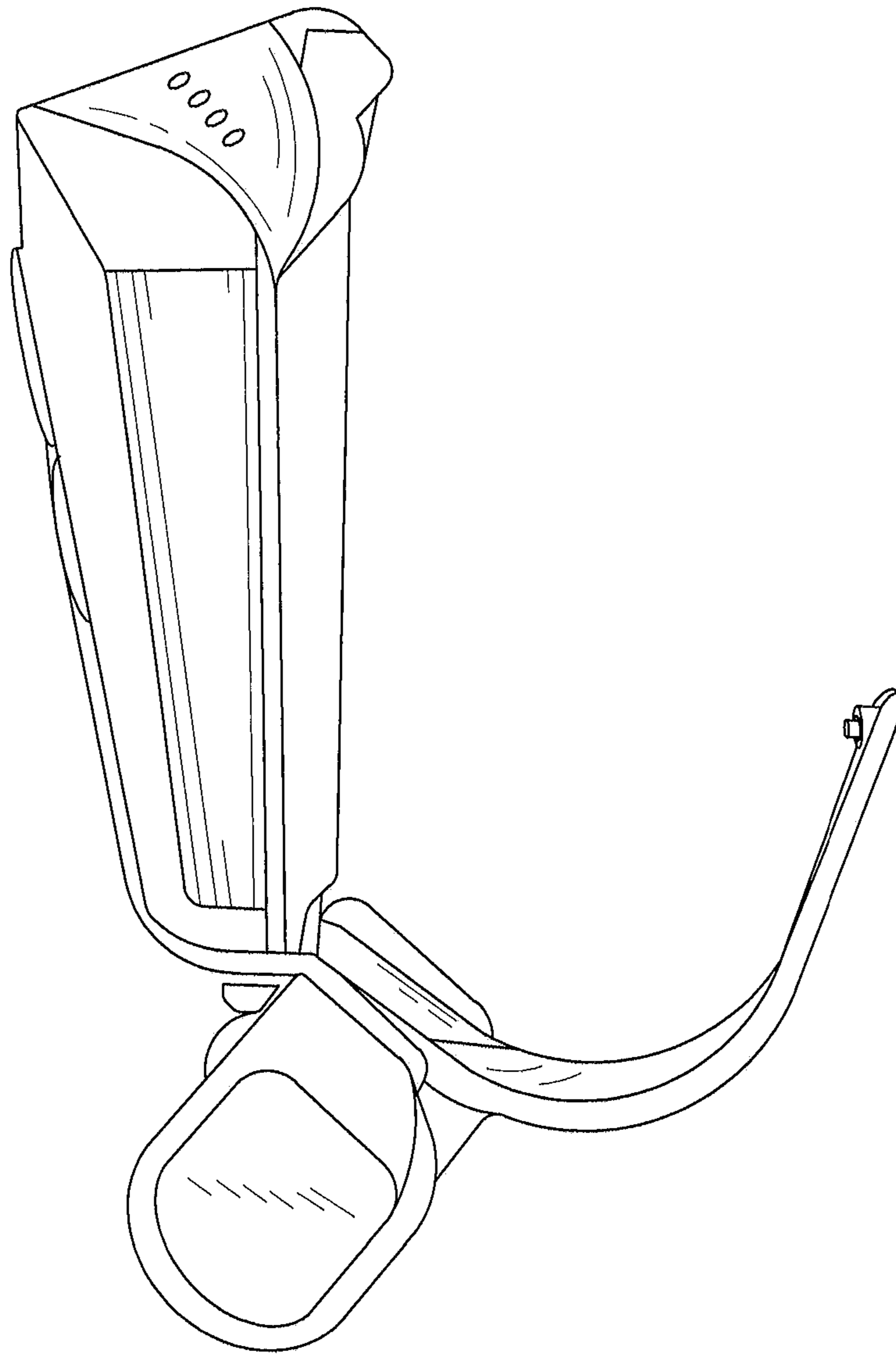


FIG. 6

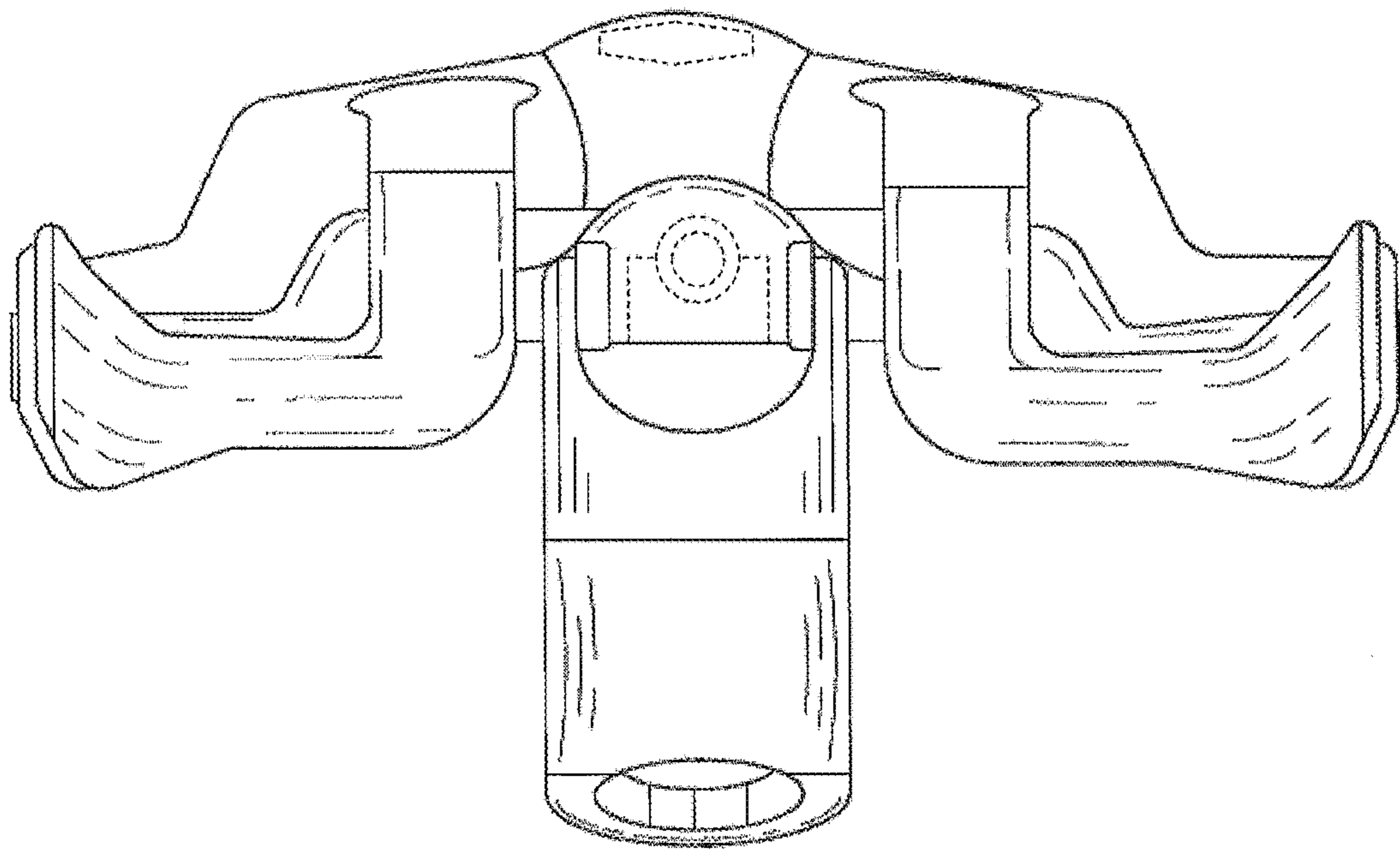


FIG. 7

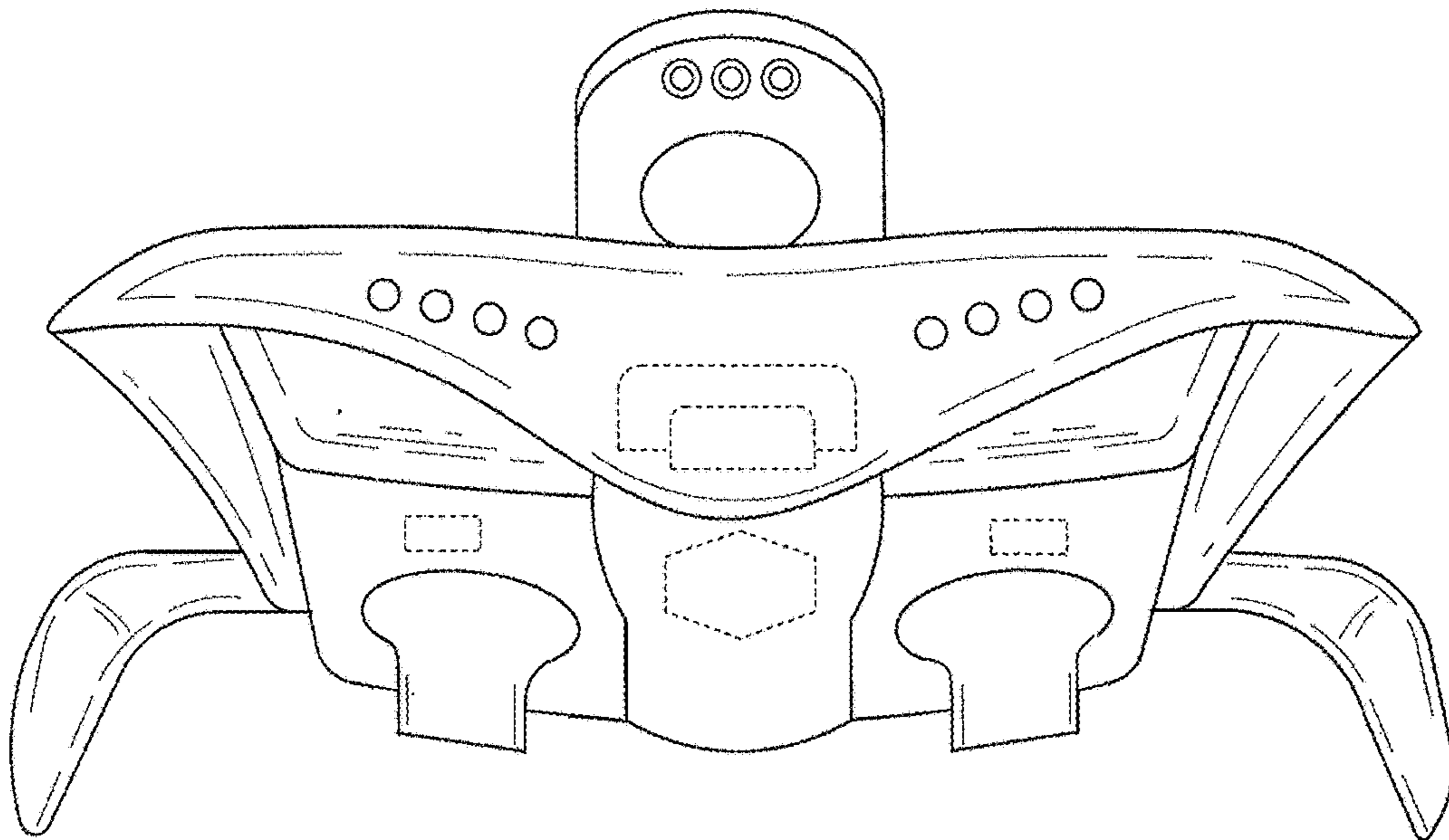


FIG. 8