



US00D810830S

(12) **United States Design Patent** (10) **Patent No.:** **US D810,830 S**
Sharp et al. (45) **Date of Patent:** **** Feb. 20, 2018**

- (54) **INTERACTIVE DEVICE FOR A USER** 6,104,424 A * 8/2000 McNelley G02B 27/2292
348/14.16
- (71) Applicant: **Gamblit Gaming, LLC**, Glendale, CA (US) D439,282 S * 3/2001 Yamaguchi D21/329
6,997,772 B2 2/2006 Fong
- (72) Inventors: **Milton Sharp**, Los Angeles, CA (US); D540,398 S * 4/2007 Gadda D21/329
Wayne Loynes, Altadena, CA (US); 7,207,860 B2 4/2007 Hornsby
Eric Meyerhofer, Pasadena, CA (US) D554,708 S * 11/2007 Gutknecht D21/370
D557,349 S * 12/2007 Linard D21/370
- (73) Assignee: **Gamblit Gaming, LLC**, Glendale, CA (US) D564,034 S * 3/2008 Morrow D21/329
D566,702 S * 4/2008 Malone D14/307
D590,839 S 4/2009 Lewis
D591,799 S * 5/2009 Yang D14/307
D614,202 S 4/2010 Strauser
- (**) Term: **15 Years** 7,905,783 B2 3/2011 Cole
D643,439 S 8/2011 Bidaud
- (21) Appl. No.: **29/580,492** 8,046,620 B2 10/2011 Fong
8,520,064 B2 8/2013 White
- (22) Filed: **Oct. 10, 2016** 8,717,316 B2 5/2014 Gothard
D732,113 S * 6/2015 Estep, II D21/329

(Continued)

Related U.S. Application Data

(63) Continuation of application No. 29/534,734, filed on Jul. 30, 2015, now Pat. No. Des. 780,747.

(51) **LOC (11) Cl.** **21-01**
(52) **U.S. Cl.**

USPC **D21/329**; D21/333; D14/496

(58) **Field of Classification Search**
USPC D21/324-333; D14/496, 168, 356;
345/156, 1.1, 1.2, 3.1; 455/3.06;
463/43-47; 273/148 B; 715/710, 700,
715/717, 719, 727; 710/1, 5, 8, 15
CPC G06F 3/041; G06F 3/046; G06F 3/048
See application file for complete search history.

(56) **References Cited**

U.S. PATENT DOCUMENTS

- 4,580,880 A * 4/1986 Watson A45D 42/18
359/855
- 5,857,910 A * 1/1999 Watanabe A63F 3/081
273/138.2
- 6,048,271 A * 4/2000 Barcelou A63F 13/005
463/25

Primary Examiner — Prabhakar G Deshmukh
(74) *Attorney, Agent, or Firm* — Caitlyn Ross

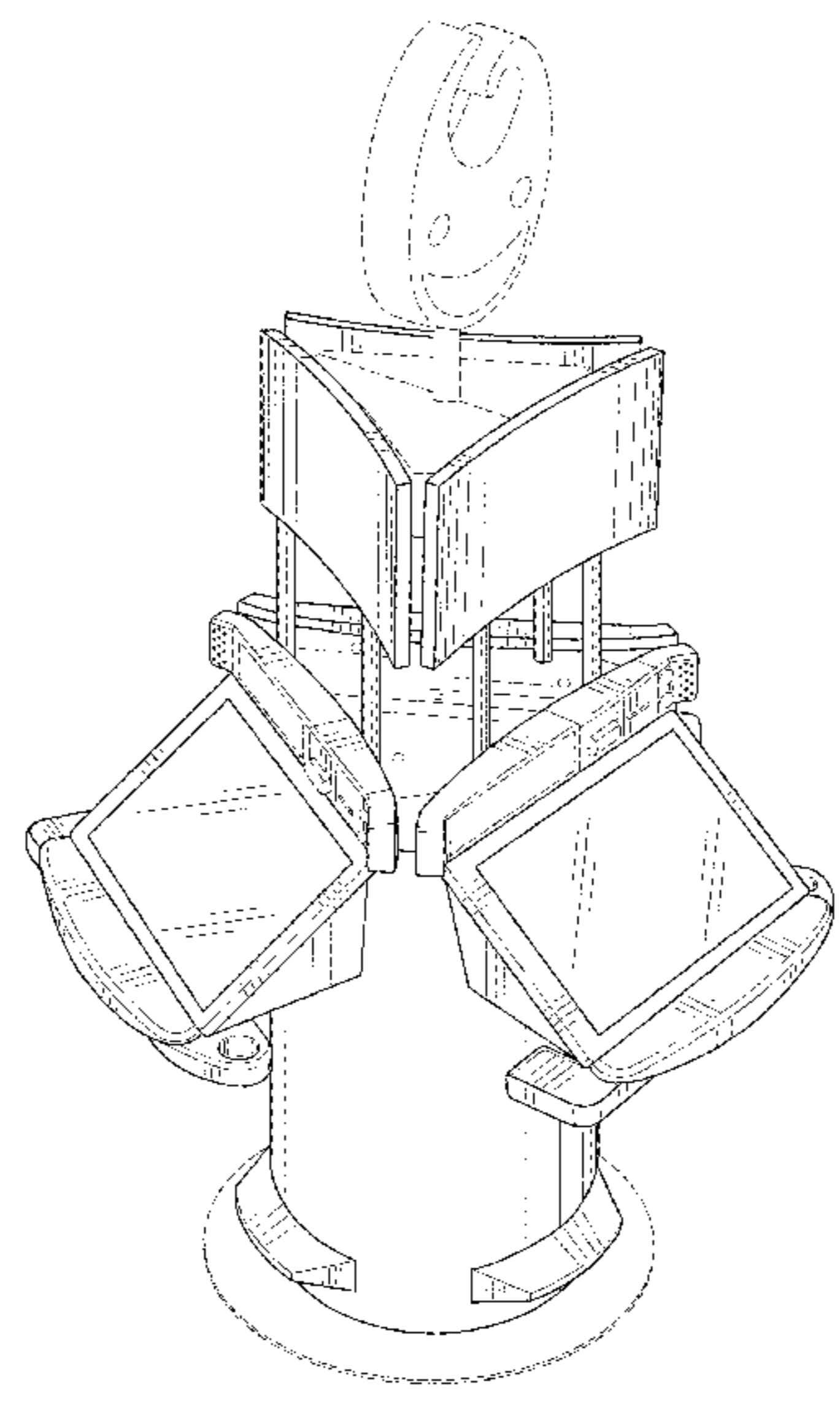
(57) **CLAIM**

The ornamental design for an interactive device for a user, as shown and described.

DESCRIPTION

FIG. 1 is a front perspective view of an interactive device for a user showing our new design;
FIG. 2 is a front elevational view thereof;
FIG. 3 is a top front perspective view thereof;
FIG. 4 is a front perspective view of a second embodiment of an interactive device for a user;
FIG. 5 is a front elevational view of FIG. 4; and,
FIG. 6 is a top front perspective view of FIG. 4.
The broken lines illustrate unclaimed portions and form no part of the claimed design.

1 Claim, 6 Drawing Sheets



(56)

References Cited

U.S. PATENT DOCUMENTS

D732,114 S * 6/2015 Estep, II D21/329
9,317,170 B2 4/2016 Lipman

* cited by examiner

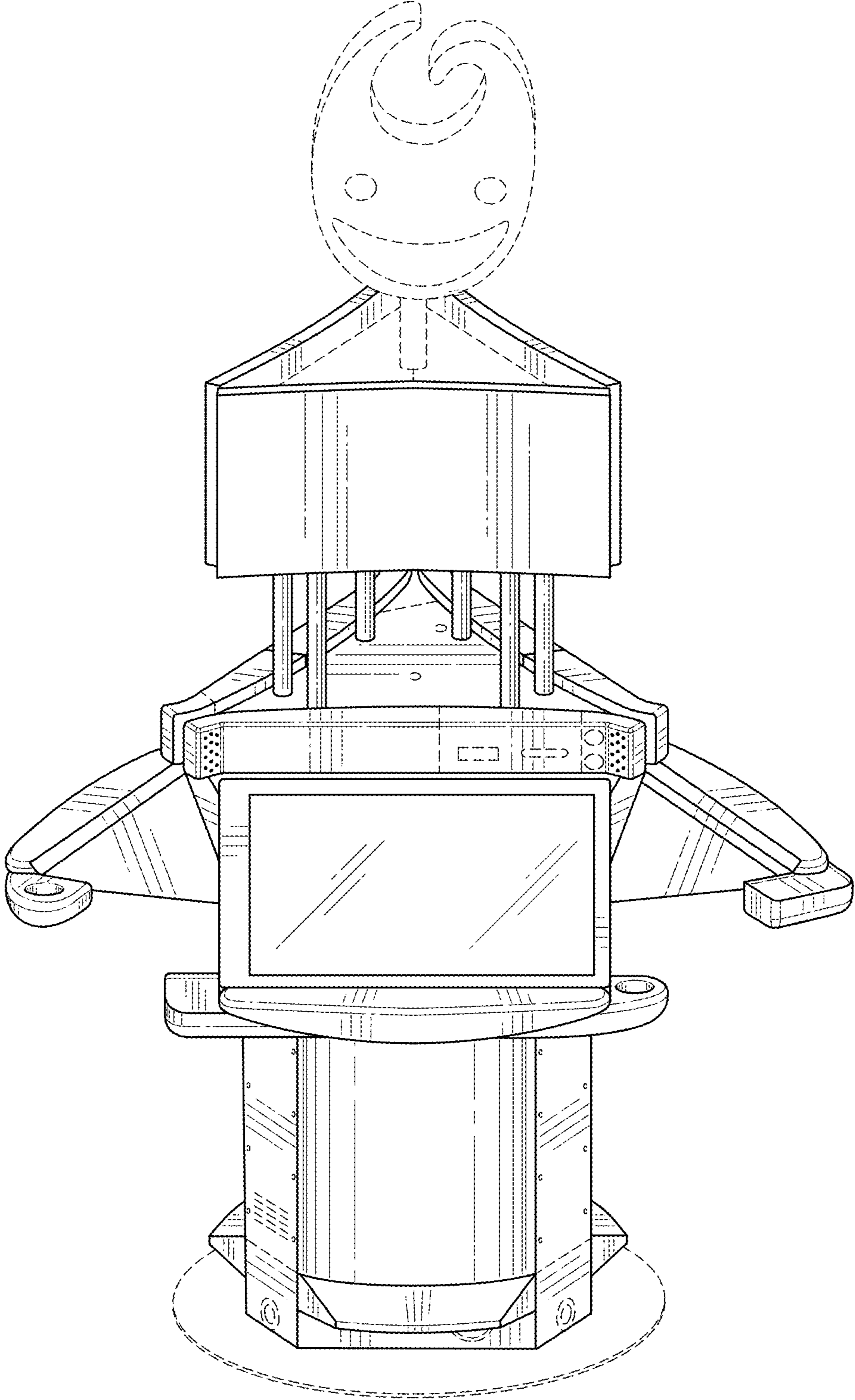


FIG. 1

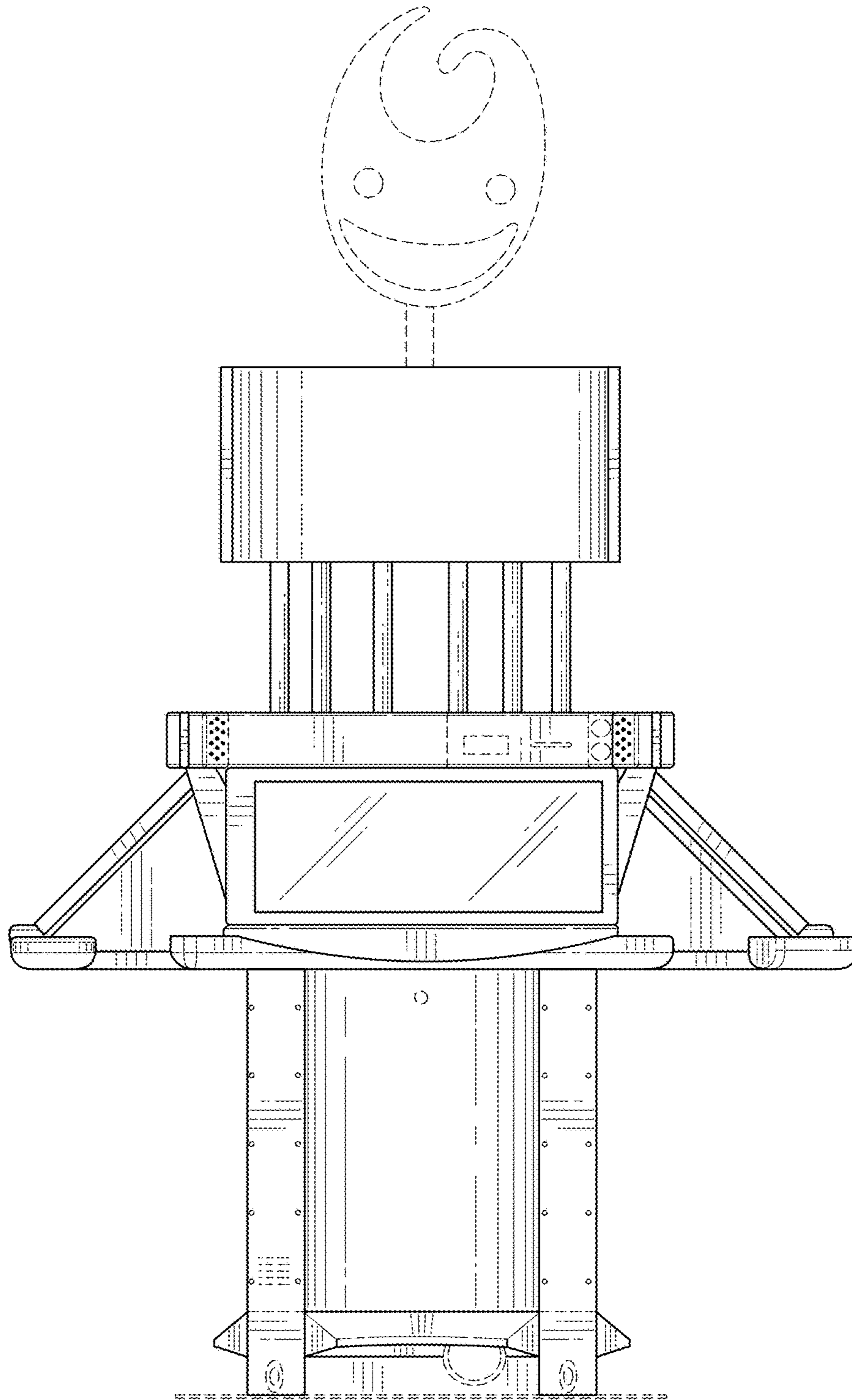


FIG. 2

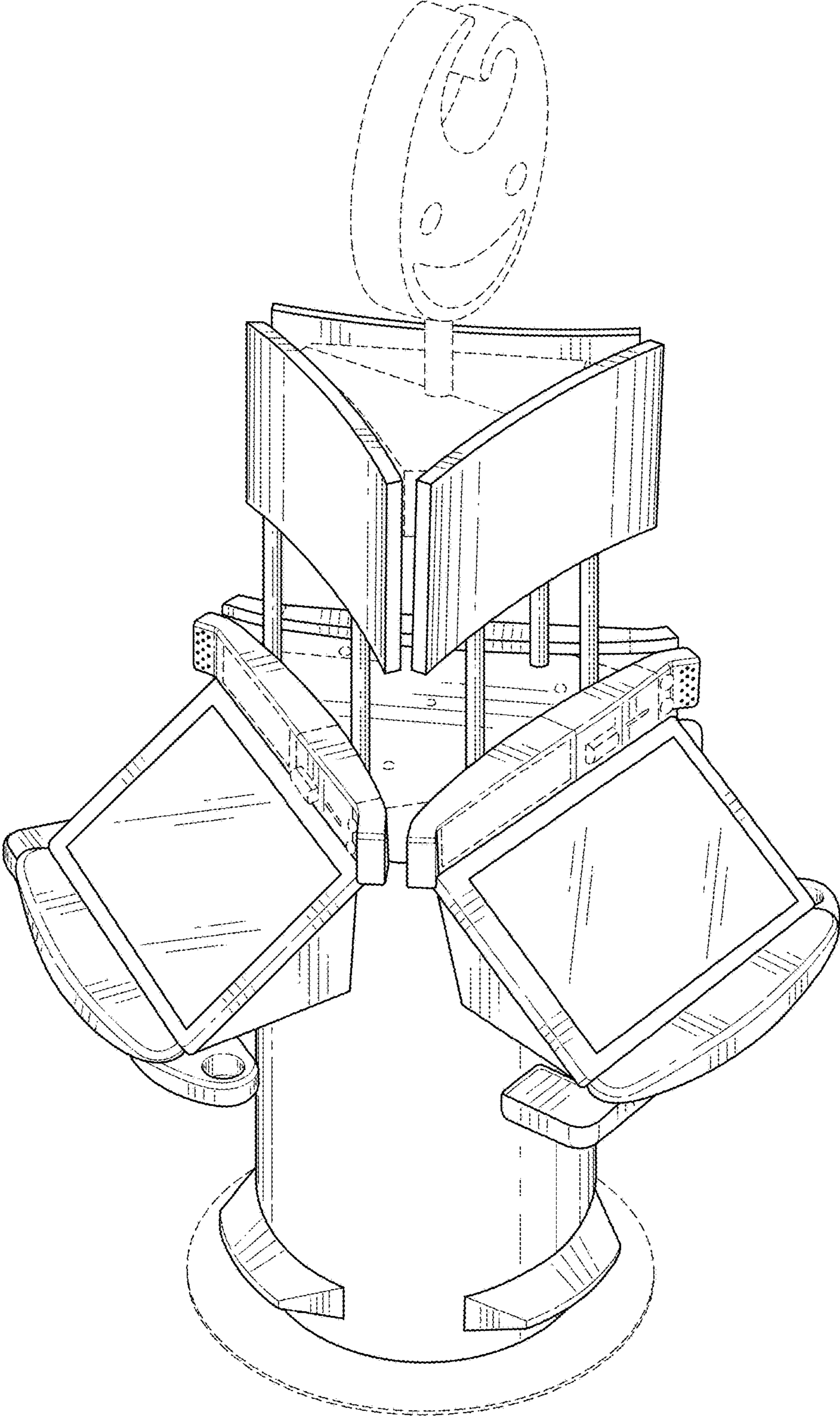


FIG. 3

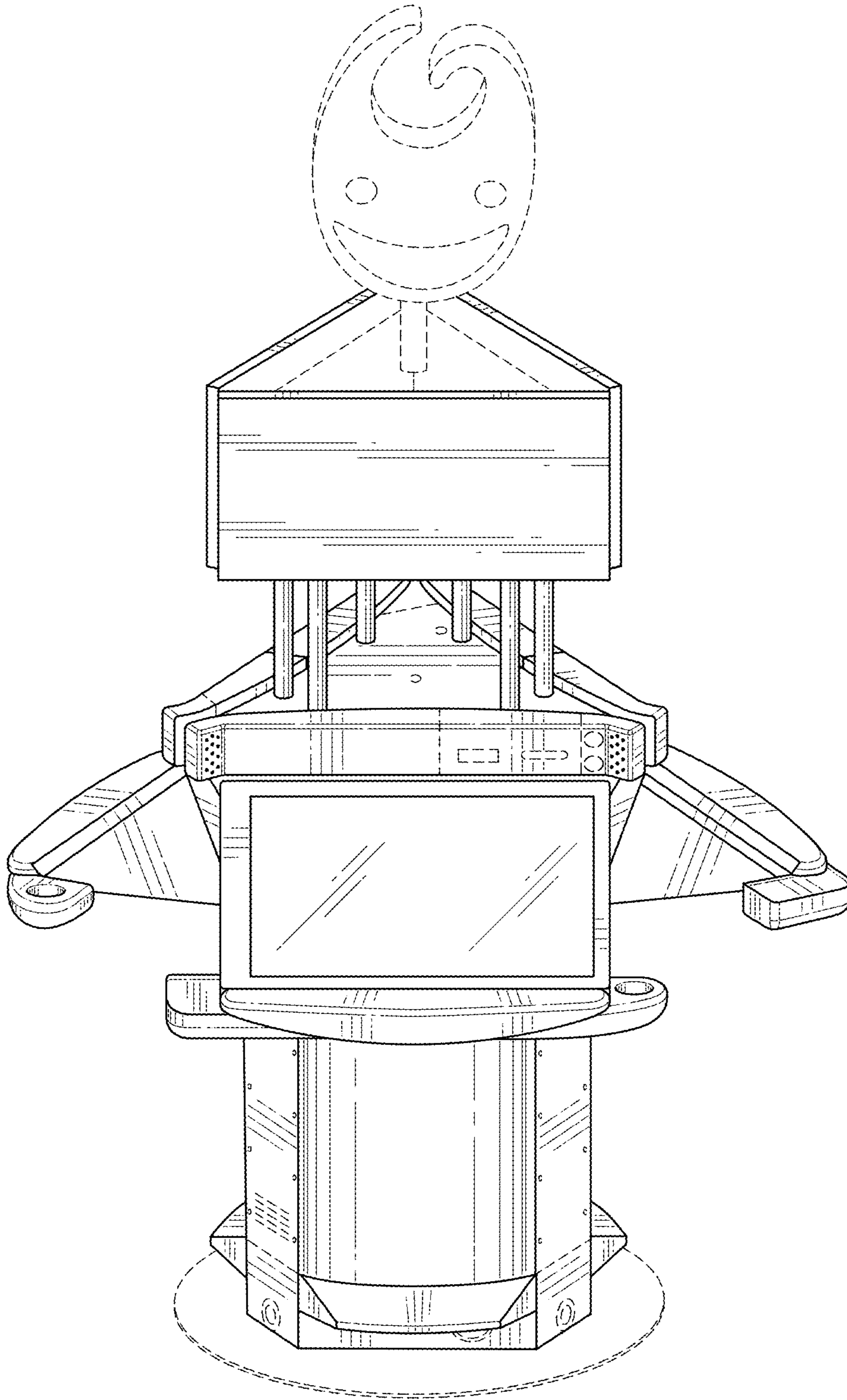


FIG. 4

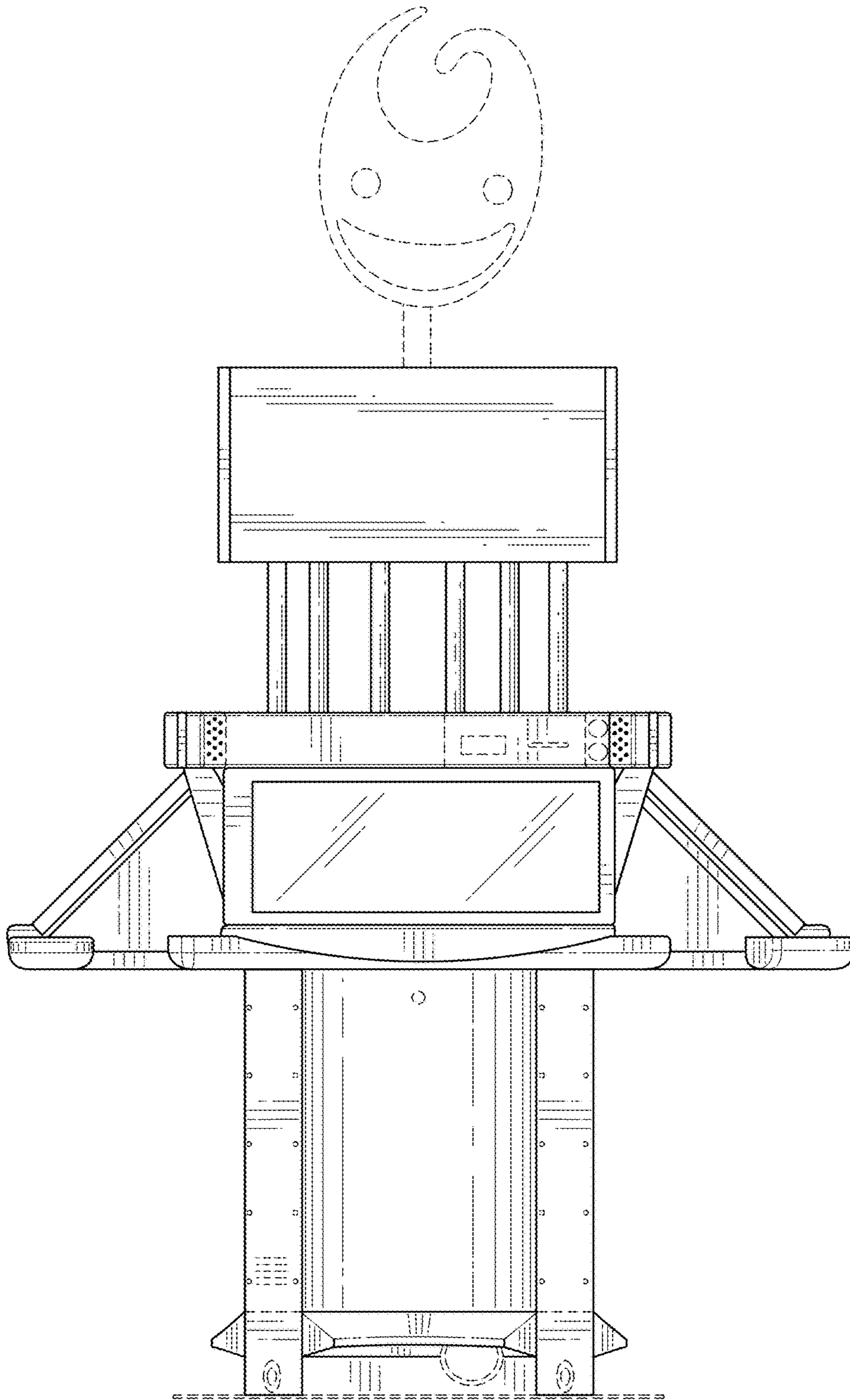


FIG. 5

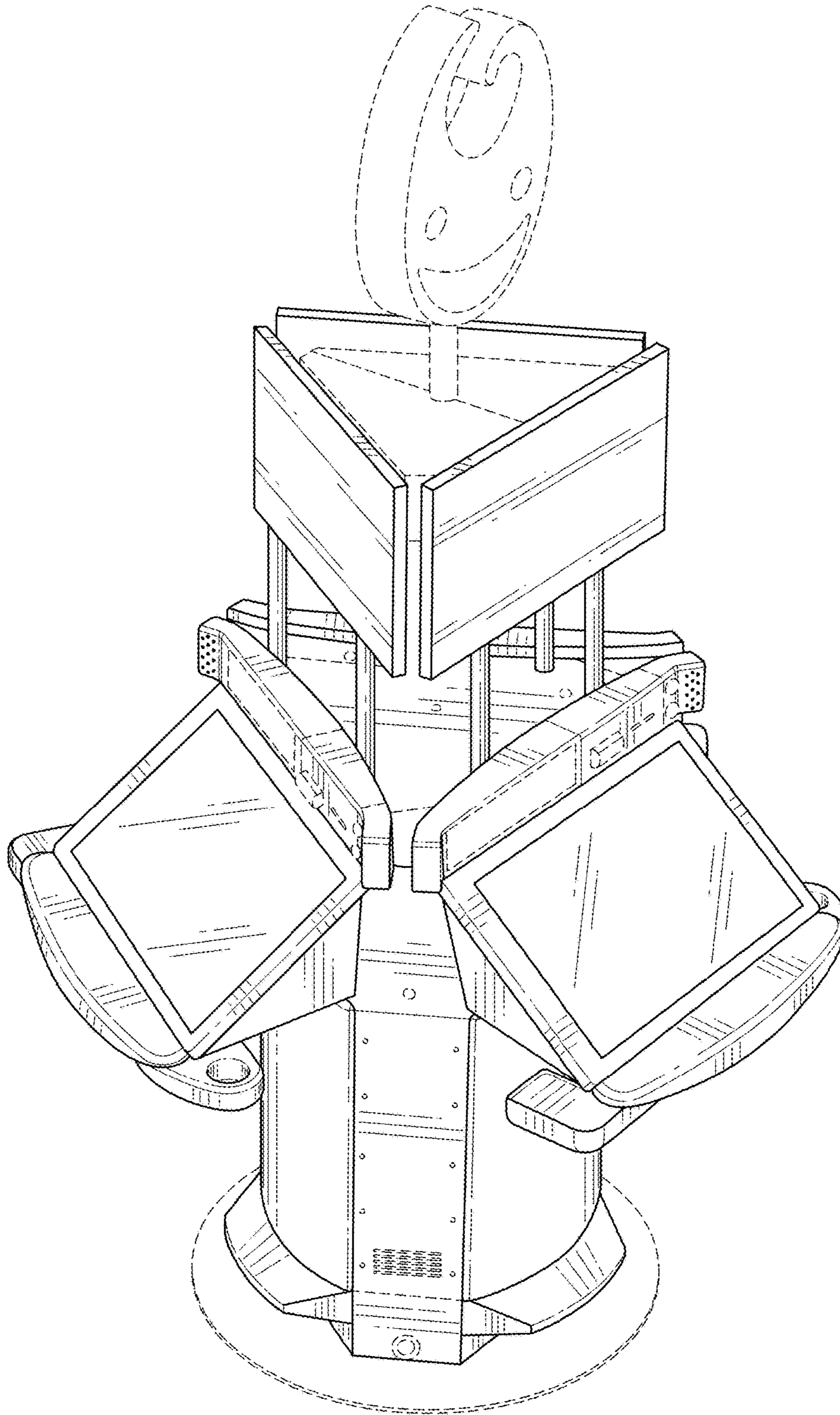


FIG. 6