



US00D810829S

(12) **United States Design Patent**
Loynes

(10) **Patent No.:** **US D810,829 S**

(45) **Date of Patent:** **** Feb. 20, 2018**

(54) **INTERACTIVE DEVICE FOR A USER**

(71) Applicant: **Gamblit Gaming, LLC**, Glendale, CA (US)

(72) Inventor: **Wayne Loynes**, Altadena, CA (US)

(73) Assignee: **Gamblit Gaming, LLC**, Glendale, CA (US)

(**) Term: **15 Years**

(21) Appl. No.: **29/576,056**

(22) Filed: **Aug. 31, 2016**

(51) **LOC (11) Cl.** **21-01**

(52) **U.S. Cl.**
USPC **D21/329**; D21/333; D14/496

(58) **Field of Classification Search**
USPC D21/324–333; D14/496, 168, 356;
345/156, 1.1, 1.2, 3.1; 455/3.06;
463/43–47; 273/148 B; 715/710, 700,
715/717, 719, 727; 710/1, 5, 8, 15
CPC G06F 3/041; G06F 3/046; G06F 3/048
See application file for complete search history.

(56) **References Cited**

U.S. PATENT DOCUMENTS

- 5,456,468 A * 10/1995 Stringfellow A63F 13/08
248/917
- D368,469 S * 4/1996 Joss D14/322

- 5,851,147 A * 12/1998 Stupak G07F 17/3244
463/13
- D411,259 S * 6/1999 Ishii D21/325
- D414,525 S * 9/1999 Howard D21/329
- D424,122 S * 5/2000 Dickenson D21/325
- D426,269 S * 6/2000 Miller, Jr. D21/324
- 6,201,532 B1 * 3/2001 Tode G06F 3/041
248/917
- D451,968 S * 12/2001 Sano D21/325
- D460,915 S * 7/2002 Lynch D21/329
- D564,034 S * 3/2008 Morrow D21/329

* cited by examiner

Primary Examiner — Prabhakar G Deshmukh

(74) *Attorney, Agent, or Firm* — Caitlyn Ross

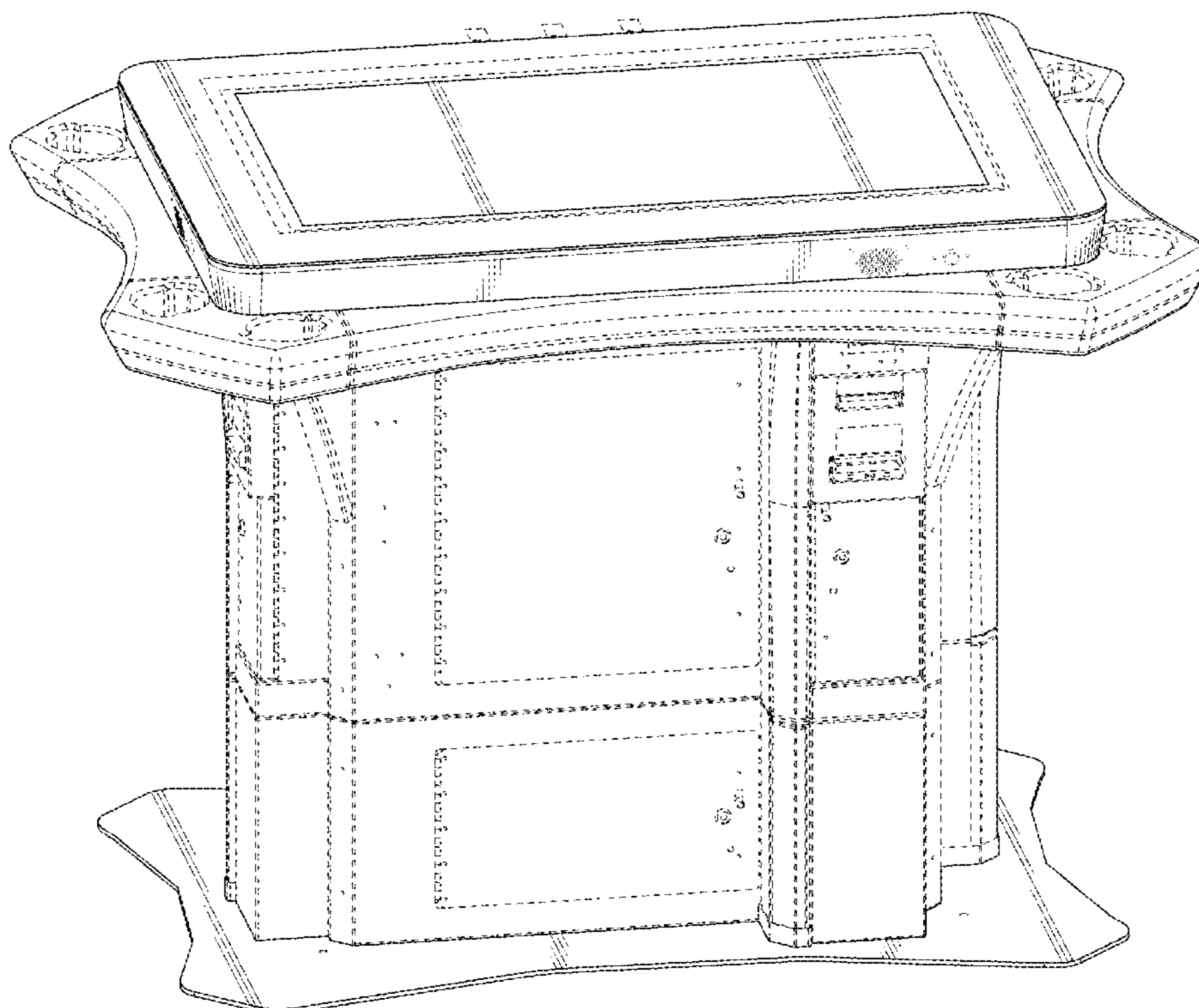
(57) **CLAIM**

The ornamental design for an interactive device for a user, as shown and described.

DESCRIPTION

FIG. 1 is a front elevational view of an interactive device for a user showing our new design;
 FIG. 2 is a top, front perspective view thereof;
 FIG. 3 is a side elevational view thereof;
 FIG. 4 is a top perspective view thereof, looking downwardly; and,
 FIG. 5 is a top plan view thereof.
 The broken lines illustrate unclaimed portions and form no part of the claimed design.

1 Claim, 5 Drawing Sheets



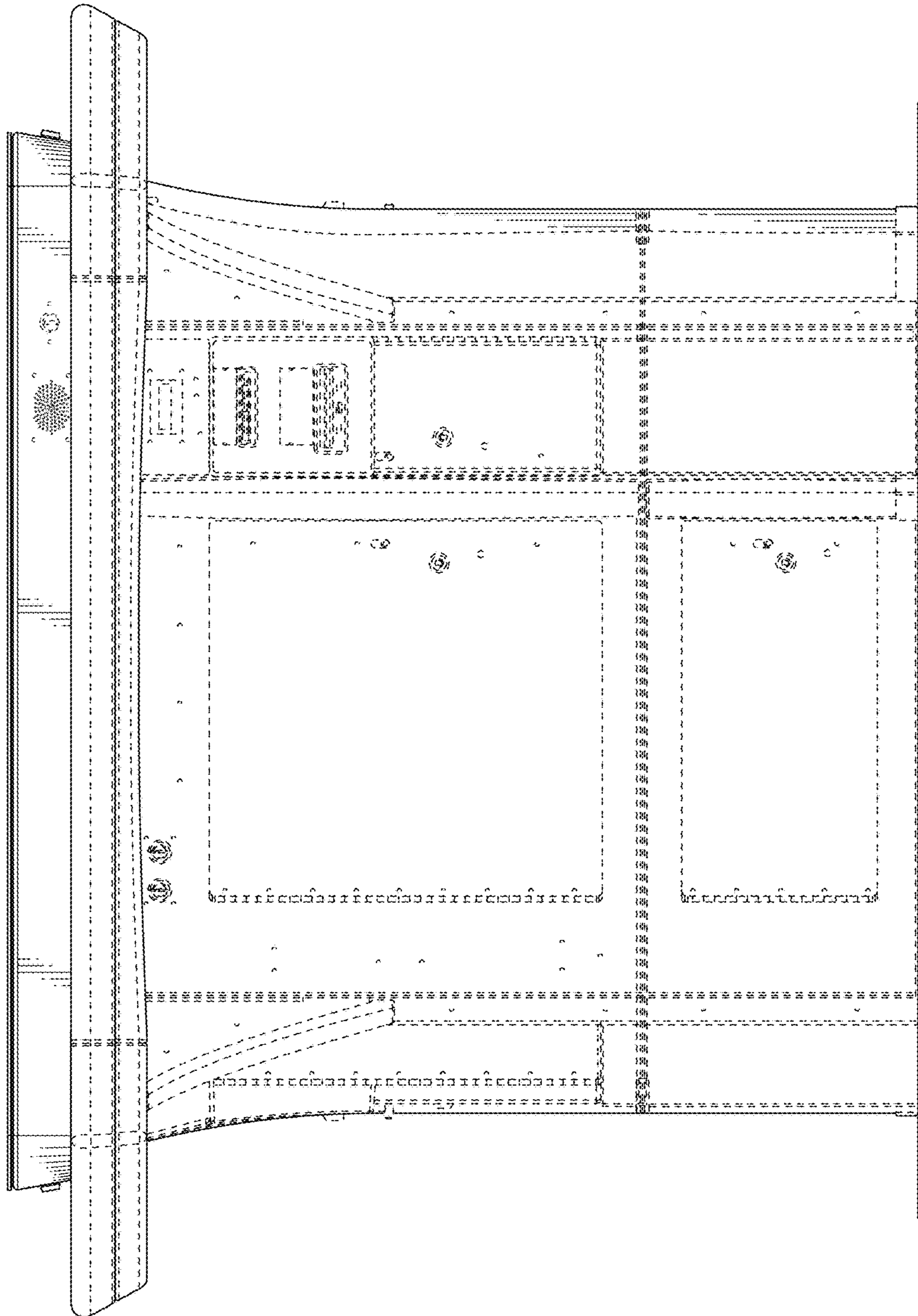


FIG. 1

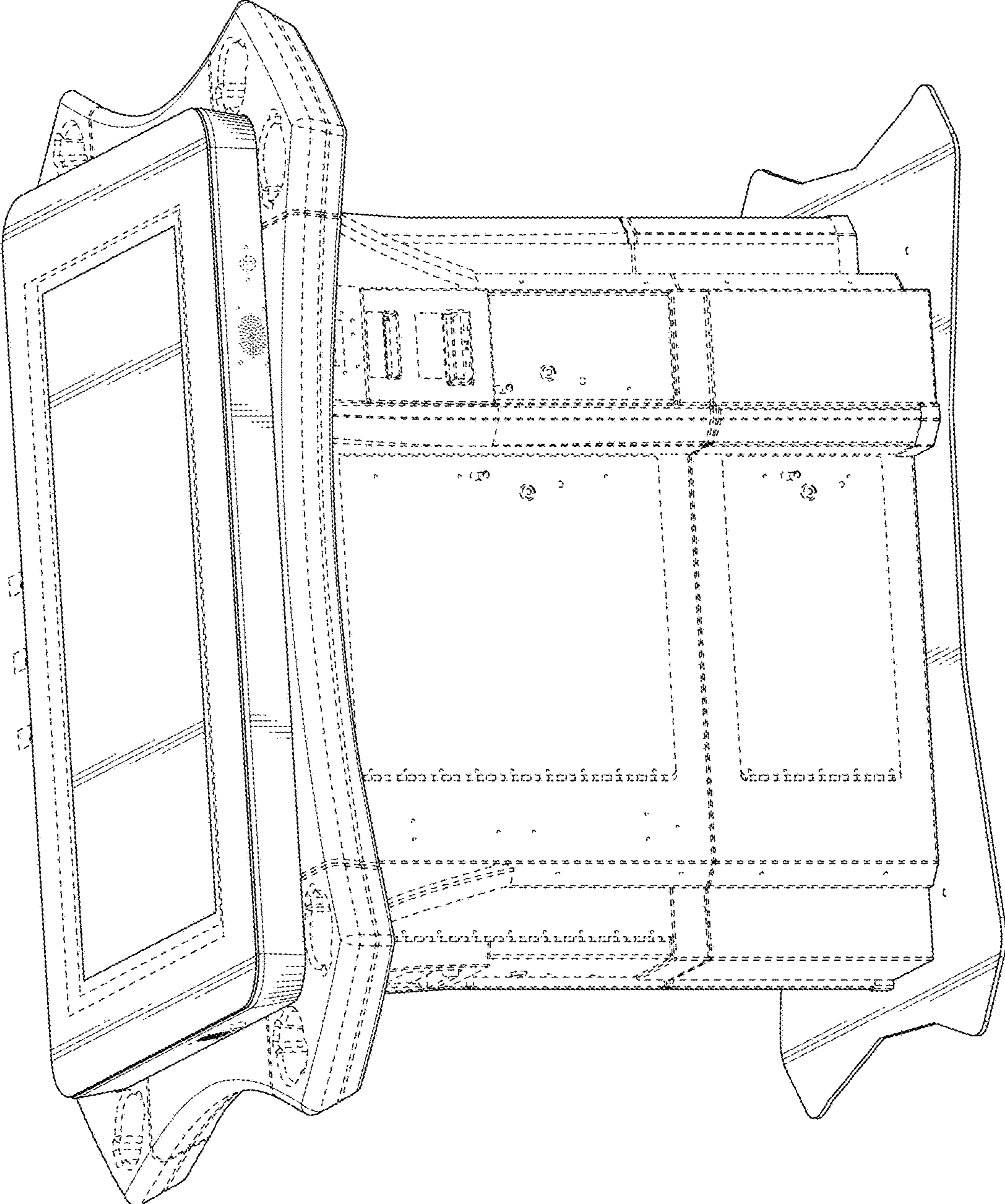


FIG. 2

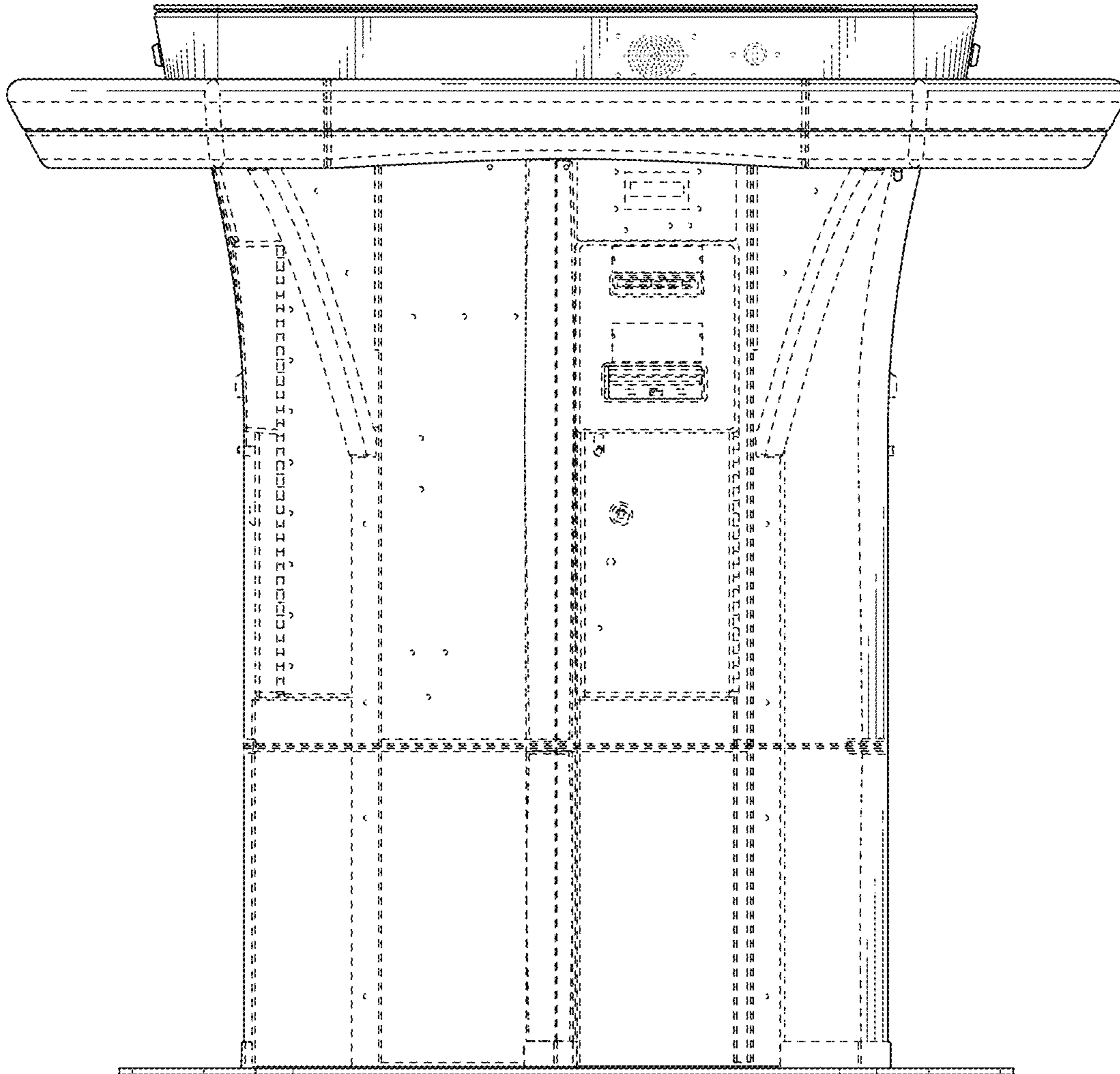


FIG. 3

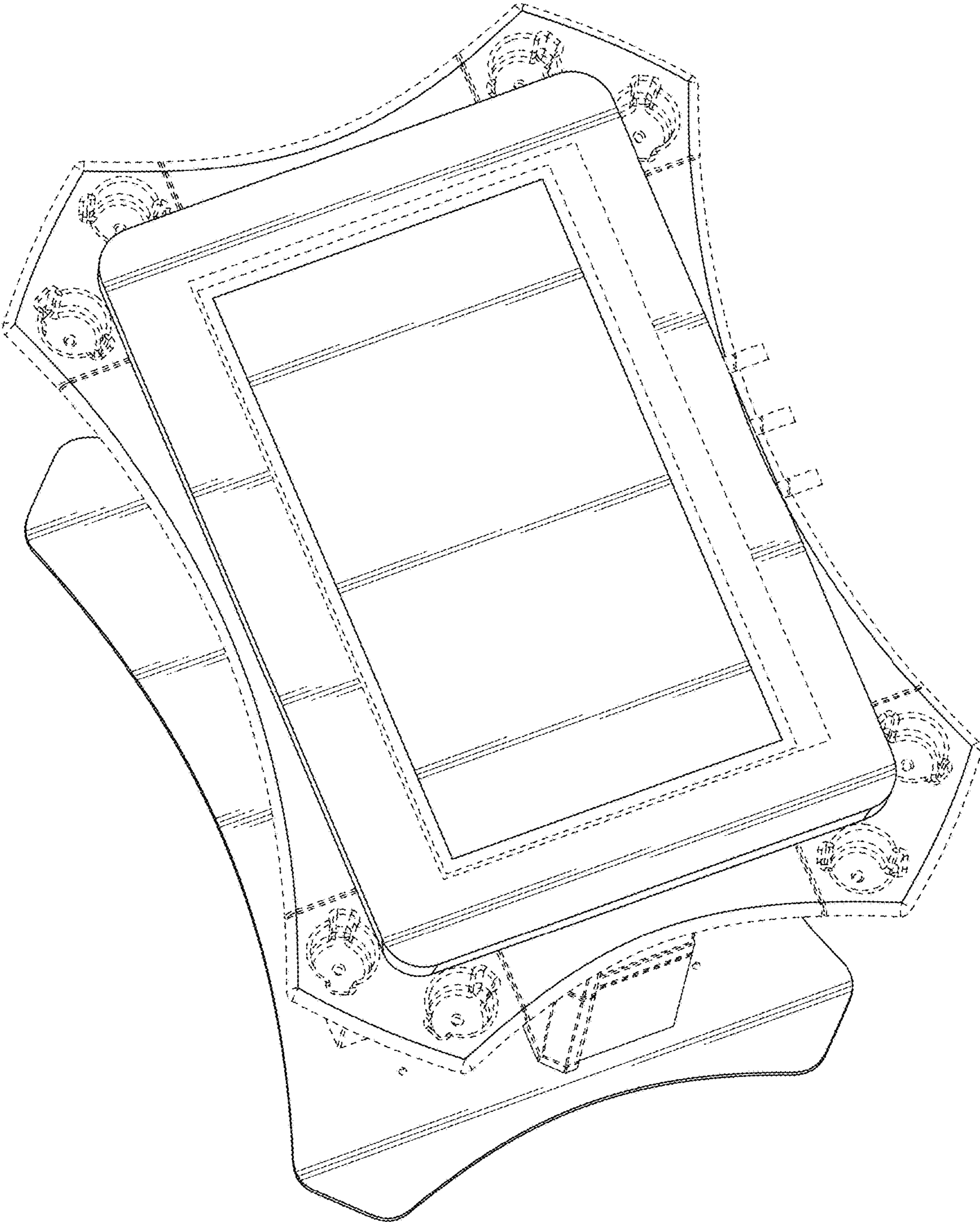


FIG. 4

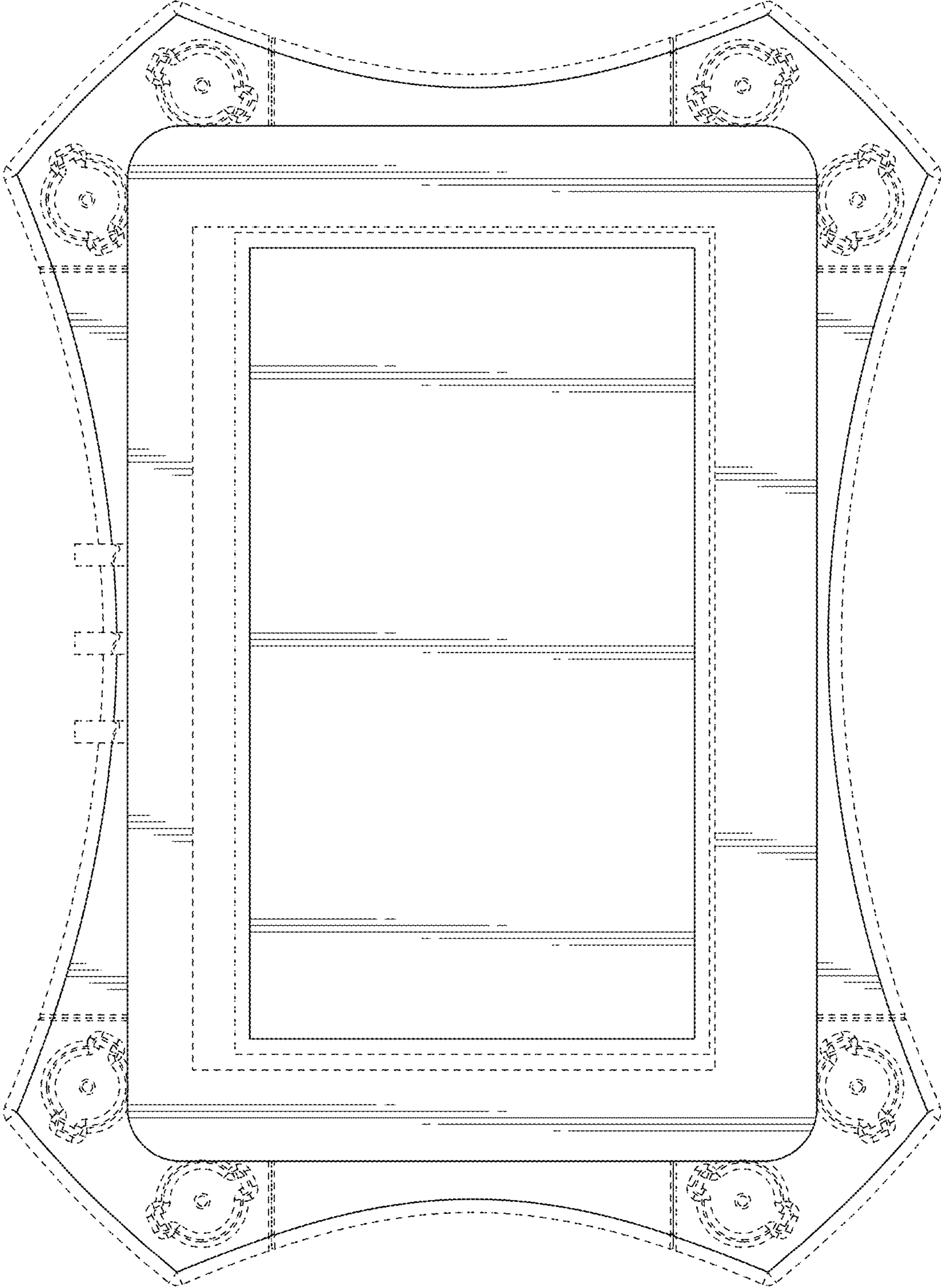


FIG. 5