



US00D810828S

(12) **United States Design Patent**
Sinesi

(10) **Patent No.:** **US D810,828 S**
(45) **Date of Patent:** **** Feb. 20, 2018**

- (54) **TRAIN STATION DISPLAY**
- (71) Applicant: **SOLARI CORP.**, Long Island City, NY (US)
- (72) Inventor: **Sabino Sinesi**, Udine (IT)
- (73) Assignee: **SOLARI CORP.**, Long Island City, NY (US)
- (**) Term: **15 Years**
- (21) Appl. No.: **29/573,254**
- (22) Filed: **Aug. 4, 2016**
- (51) **LOC (11) Cl.** **20-03**
- (52) **U.S. Cl.**
USPC **D20/42**
- (58) **Field of Classification Search**
USPC D20/10, 20, 27, 28, 39, 40, 41, 99;
D21/477; D10/46, 49, 50, 98, 103, 102,
D10/122-127; D12/192; D14/126, 131,
D14/157, 443, 210, 224.1, 258, 315;
D15/110, 114, 415
CPC G09F 1/00; G09F 1/02; G09F 2003/023;
G09F 2003/0261; G09F 2003/0264; G09F
7/00; G09F 3/206; G09F 2007/1807;
G09F 13/00; G09F 13/04; G09F
2013/0427; G09F 2013/0495; G09F
21/00; G09F 21/04; G09F 2021/041;
G09D 3/00; B60R 21/045; B60R 21/205;
B60R 11/02; B60R 7/04; B60R 7/08;
B60K 35/00; B60H 3/06
See application file for complete search history.

(56) **References Cited**

U.S. PATENT DOCUMENTS

- 3,234,677 A * 2/1966 McDaniel B60Q 1/50
40/592
- 3,242,329 A * 3/1966 Abrams B60Q 1/2615
362/235

- D205,209 S * 7/1966 Priddis D20/10
3,290,813 A * 12/1966 Rose, Sr. G09F 21/04
40/592
- D245,940 S * 9/1977 George D20/10
4,052,806 A * 10/1977 George G07B 13/045
362/224
- 4,856,216 A * 8/1989 Gross G09F 13/04
40/518
- D312,097 S * 11/1990 Robinson D20/10
- D319,667 S * 9/1991 Gray D20/10
- D331,472 S * 12/1992 Campbell D20/10
- D350,367 S * 9/1994 McKelvey D20/10
- D382,302 S * 8/1997 Grinbaum D20/10
- D386,091 S * 11/1997 Caulk D20/10
5,711,100 A * 1/1998 Elmer G09F 21/04
248/206.5
- 5,754,098 A * 5/1998 Holban B60Q 1/50
340/434
- 5,918,397 A * 7/1999 Elmer G09F 21/04
40/572
- 5,950,340 A * 9/1999 Woo G09F 13/04
362/235
- D423,164 S * 4/2000 McKeown D20/10

(Continued)

Primary Examiner — Mary Ann Calabrese
Assistant Examiner — Sloan Rozin
(74) *Attorney, Agent, or Firm* — Mark M. Friedman

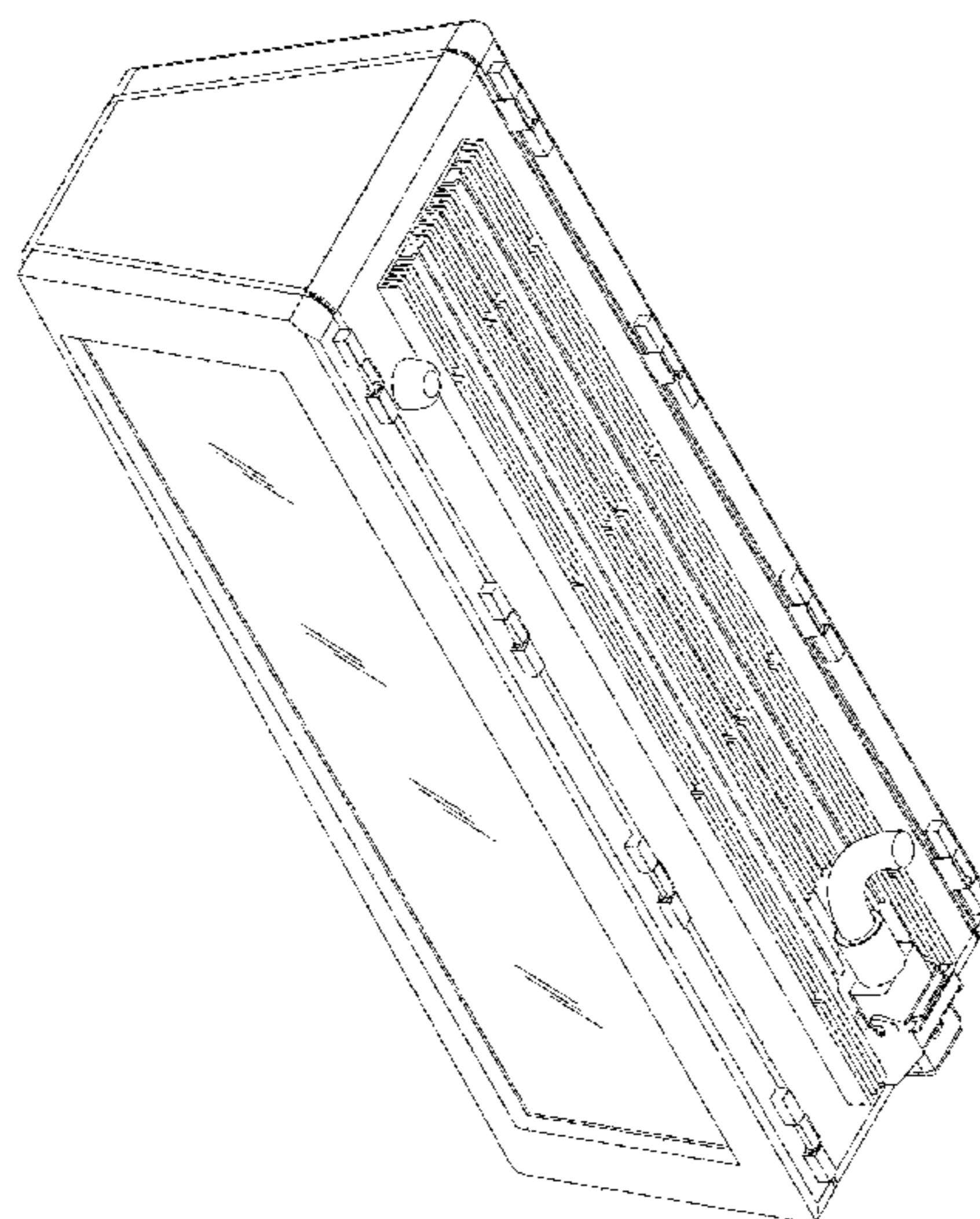
(57) **CLAIM**

The ornamental design for a train station display, as shown.

DESCRIPTION

FIG. 1 is a front view of a train station display showing my design;
FIG. 2 is a bottom view thereof;
FIG. 3 is a right side view thereof;
FIG. 4 is a left side view thereof;
FIG. 5 is a top view thereof;
FIG. 6 is a back view thereof; and,
FIG. 7 is a top perspective view thereof.

1 Claim, 7 Drawing Sheets



(56)

References Cited

U.S. PATENT DOCUMENTS

D460,985	S *	7/2002	Horvath	D20/10
D465,529	S *	11/2002	Hummell	D20/40
D480,432	S *	10/2003	Newman	D20/10
6,761,475	B2 *	7/2004	Perlo	B60Q 1/302
				362/297
D499,451	S *	12/2004	Mayo	D20/10
D511,391	S *	11/2005	Altman	D20/10
7,121,700	B1 *	10/2006	Scanlon	B60Q 1/2611
				362/183
D556,264	S *	11/2007	Tanaka	D20/39
D567,876	S *	4/2008	Au	D20/10
D622,773	S *	8/2010	Giudicelli	D20/10
D635,614	S *	4/2011	Yan	D20/10
D639,340	S *	6/2011	Martin	D20/10
D656,195	S *	3/2012	Renard	D20/10
D657,421	S *	4/2012	Yan	D20/10
D687,895	S *	8/2013	Gaspar dos Santos	D20/39
D695,834	S *	12/2013	Glass	D20/10
D740,472	S *	10/2015	Linton	D26/31
D765,660	S *	9/2016	Kim	D14/375
2017/0132960	A1 *	5/2017	Kis-Benedek	
			Pinero	G09F 21/04

* cited by examiner

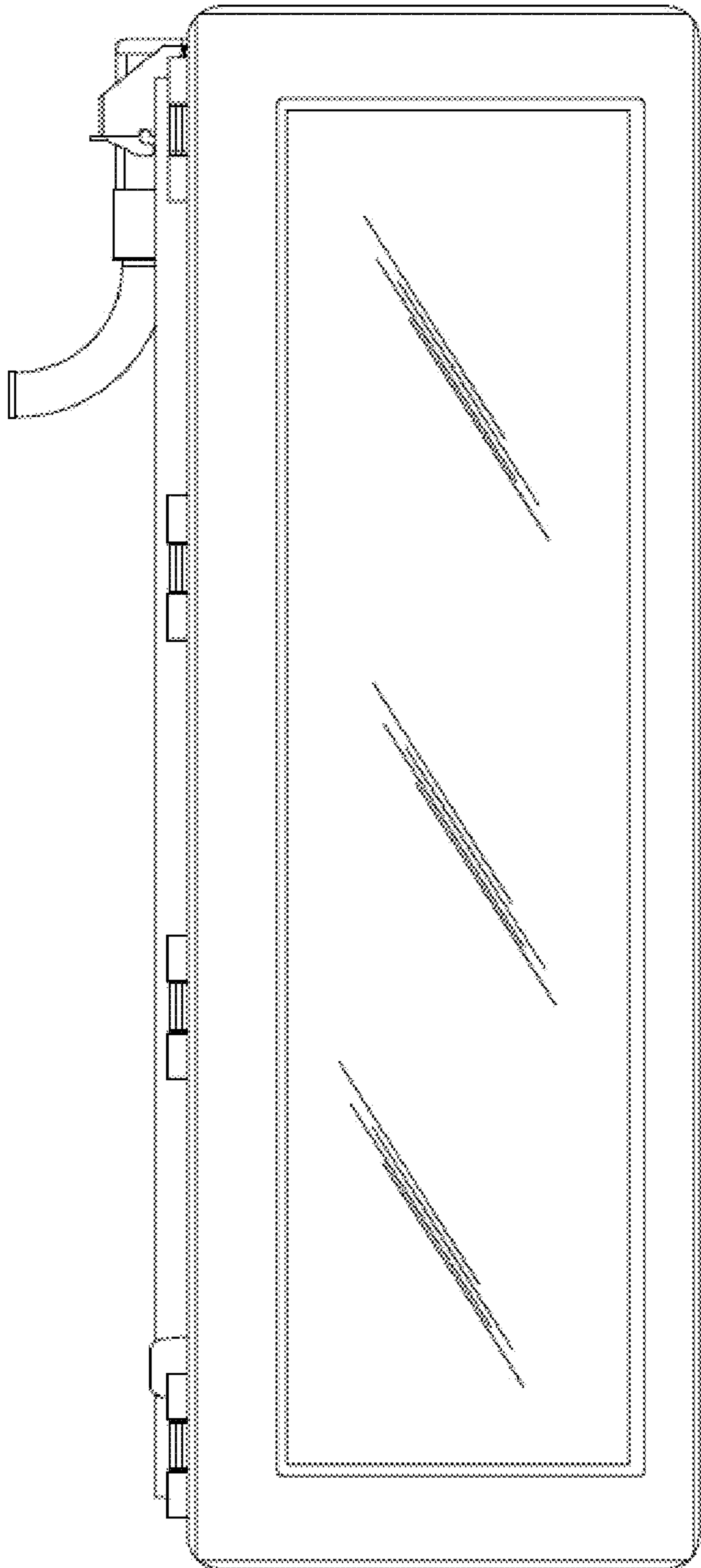


Fig. 1

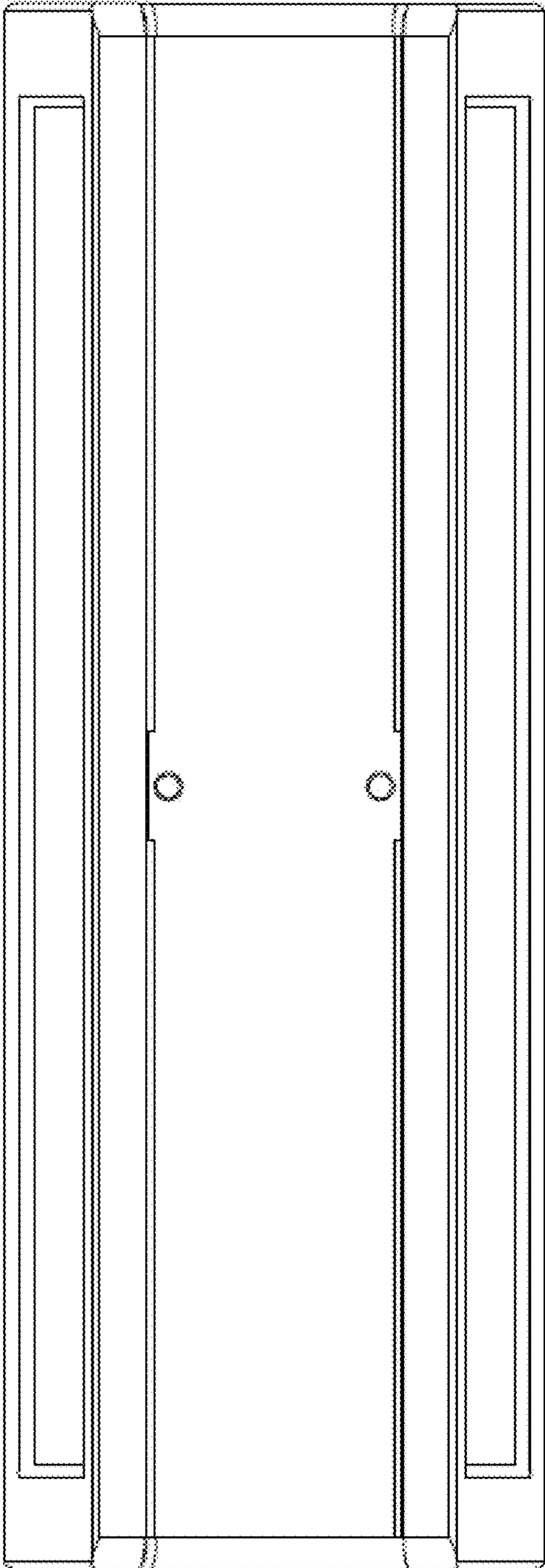


Fig. 2

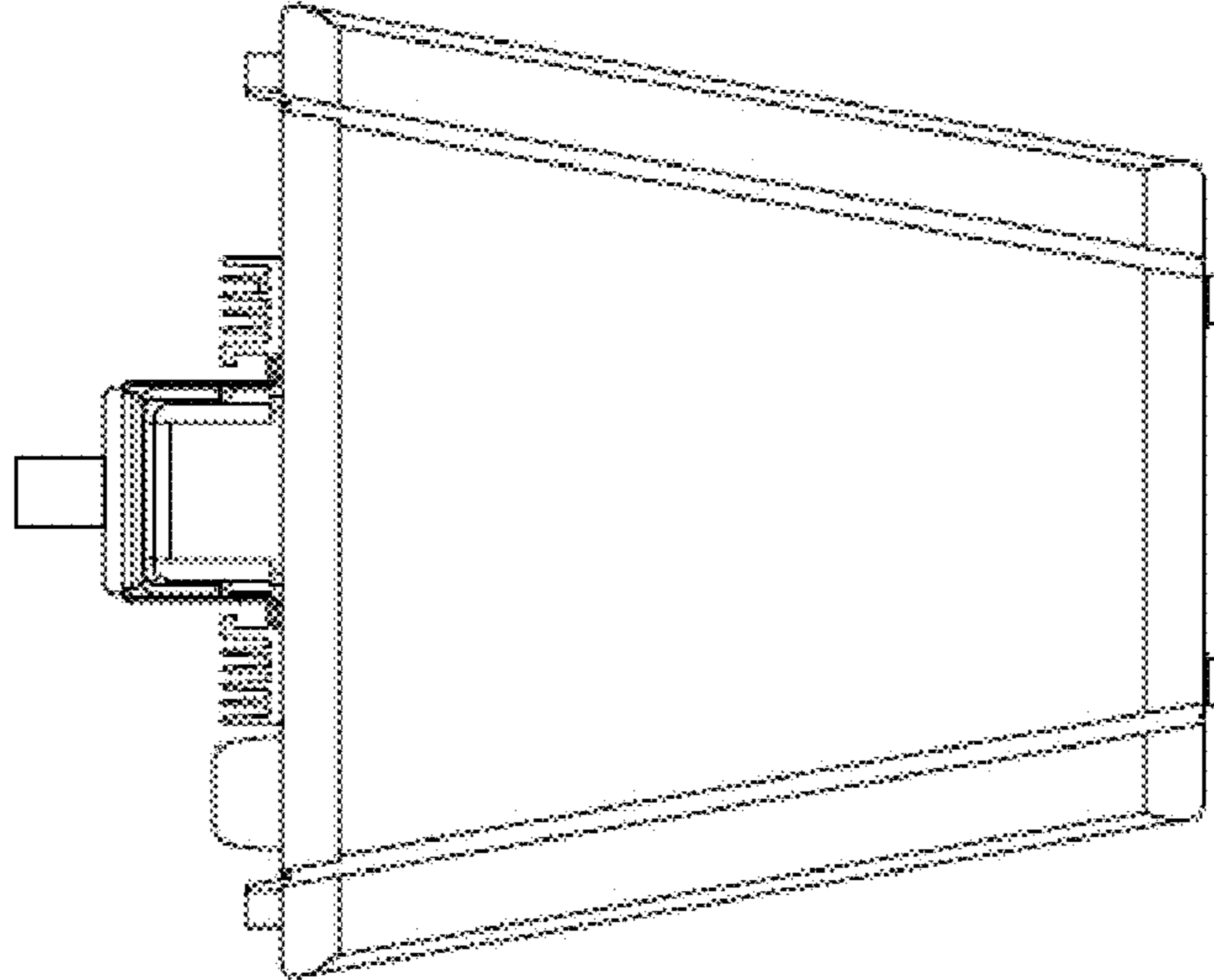


Fig. 3

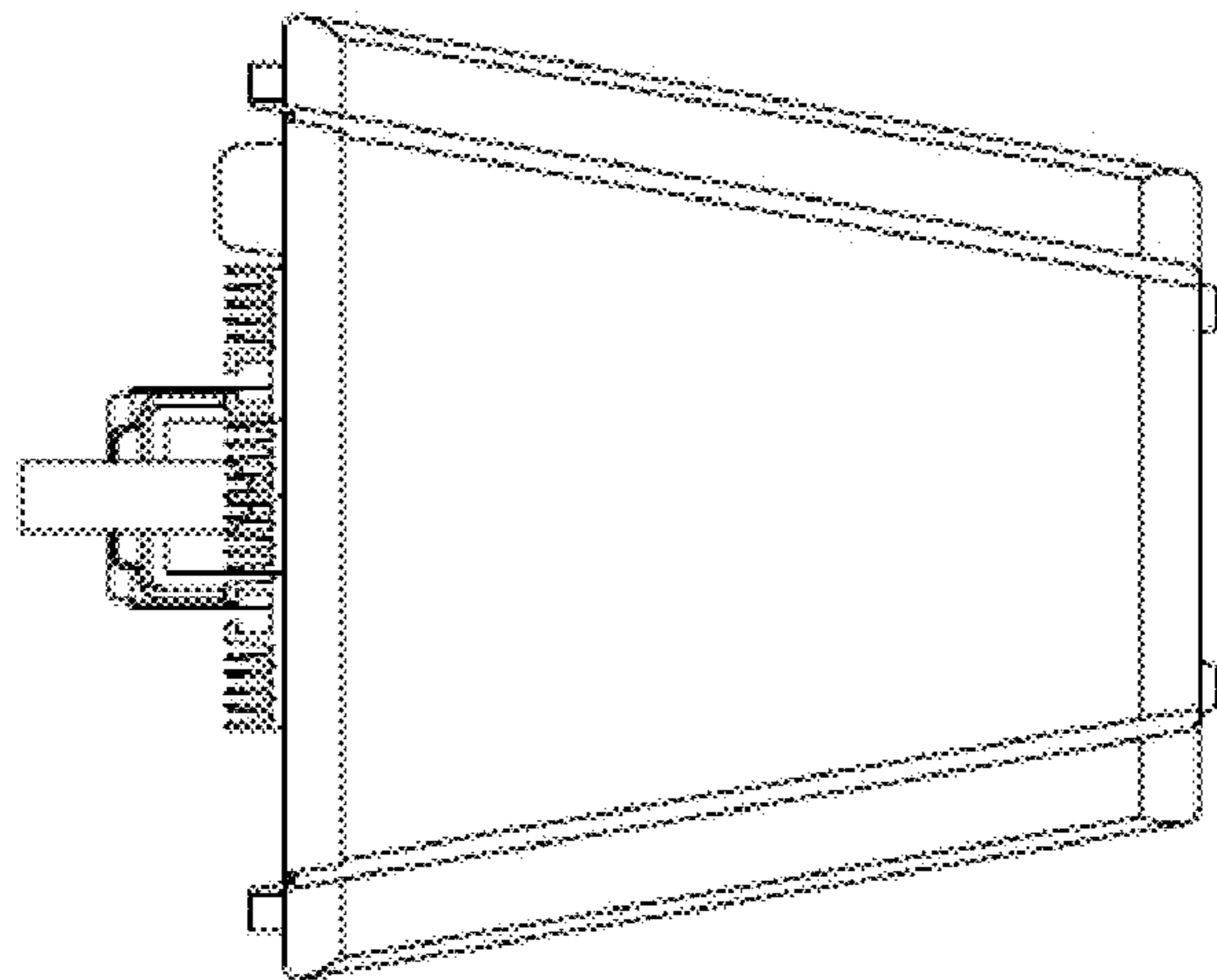


Fig. 4

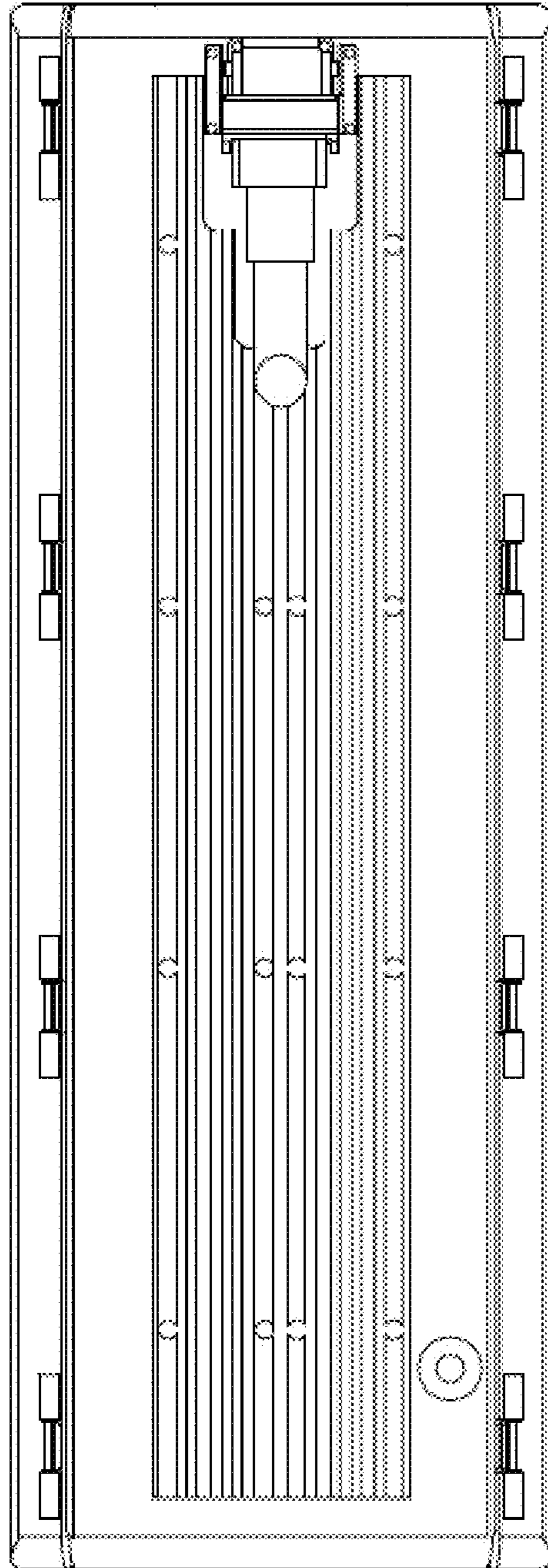


Fig. 5

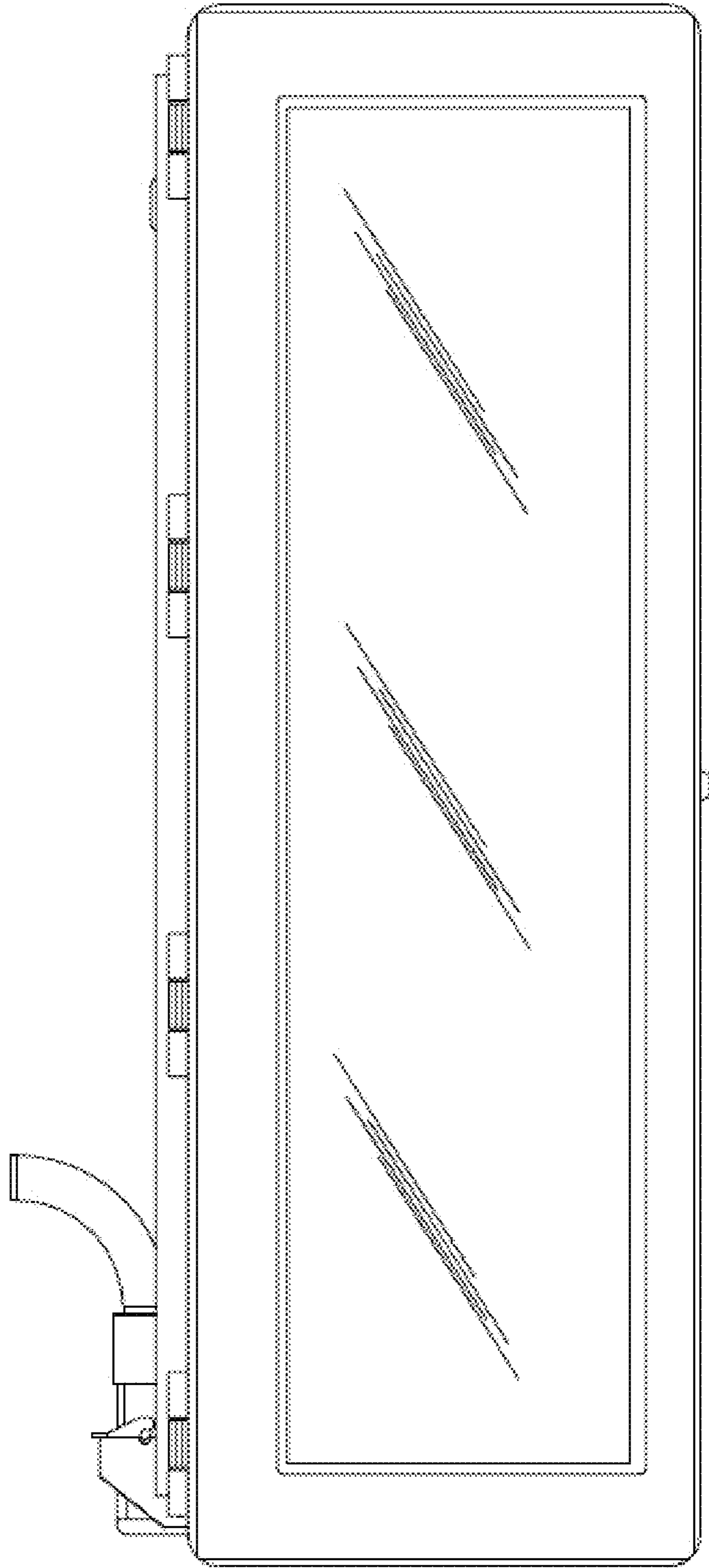


Fig. 6

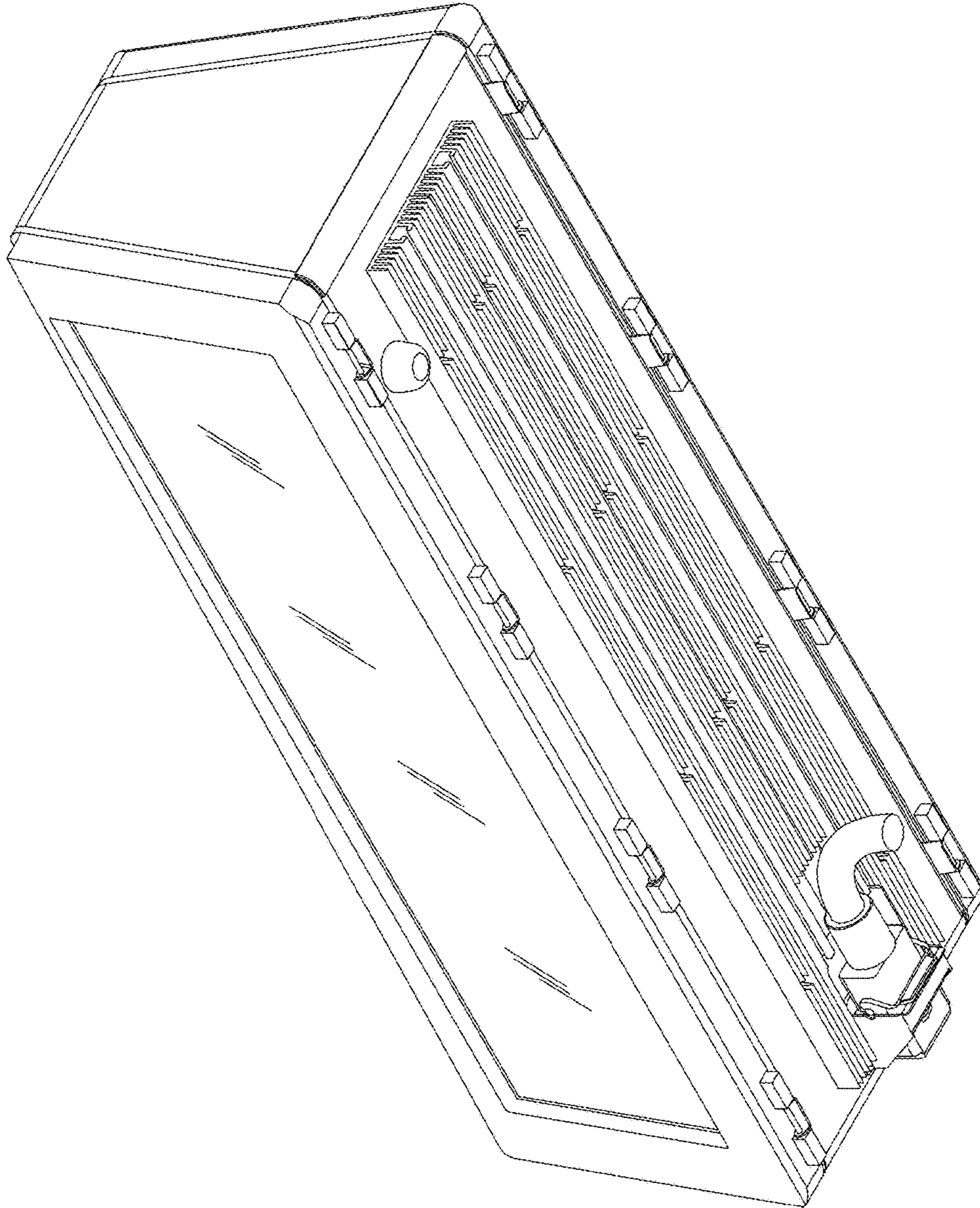


FIG. 7