



US00D810827S

(12) **United States Design Patent** (10) **Patent No.:** **US D810,827 S**
Morszeck (45) **Date of Patent:** **** Feb. 20, 2018**

(54) **ELECTRONIC TAG**
(71) Applicant: **Rimowa GmbH**, Cologne (DE)
(72) Inventor: **Dieter Morszeck**, Cologne (DE)
(73) Assignee: **Rimowa GmbH**, Cologne (DE)
(**) Term: **15 Years**
(21) Appl. No.: **29/563,844**
(22) Filed: **May 9, 2016**
(30) **Foreign Application Priority Data**
Nov. 10, 2015 (EM) 002853812
(51) **LOC (11) Cl.** **19-08**
(52) **U.S. Cl.**
USPC **D20/27**
(58) **Field of Classification Search**
USPC D20/10, 11, 22-29, 35, 39, 40-43, 99
CPC G09F 1/00; G09F 1/02; G09F 2003/023;
G09F 2003/0261; G09F 2003/0264; G09F
7/00; G09F 3/206; G09F 13/00; G09F
2007/1807; G09F 13/04; G09F
2013/0427; G09F 2013/0495; G09F
3/208; G09D 3/00
See application file for complete search history.

(56) **References Cited**
U.S. PATENT DOCUMENTS
5,381,617 A * 1/1995 Schwartztol G09F 3/14
40/6
5,900,307 A * 5/1999 Barcikowski A45C 13/42
283/109
6,295,747 B1 * 10/2001 Francis G09F 3/02
283/81
D458,038 S * 6/2002 Ueno D6/302
D490,113 S * 5/2004 Nykoluk D20/27

D599,409 S * 9/2009 Kan D20/27
D676,490 S * 2/2013 Bratter D19/1
D709,954 S * 7/2014 Kasper D20/27
D712,968 S * 9/2014 Gorelick D20/10
D727,429 S * 4/2015 Boyer D20/27
9,162,799 B2 * 10/2015 Perry B65D 25/205
D762,263 S * 7/2016 Canchola D20/27
D772,340 S * 11/2016 Wessel, IV D20/27
D778,365 S * 2/2017 Kott D20/43
D786,976 S * 5/2017 Keating D20/27
D787,597 S * 5/2017 Kang D20/27
D787,601 S * 5/2017 Kott D20/43
D797,194 S * 9/2017 Domotor D20/27
2003/0042733 A1 * 3/2003 Zoland A45C 13/42
283/74
2008/0088445 A1 * 4/2008 Oas A45C 13/24
340/571
2009/0100731 A1 * 4/2009 Elvin A45C 13/42
40/655

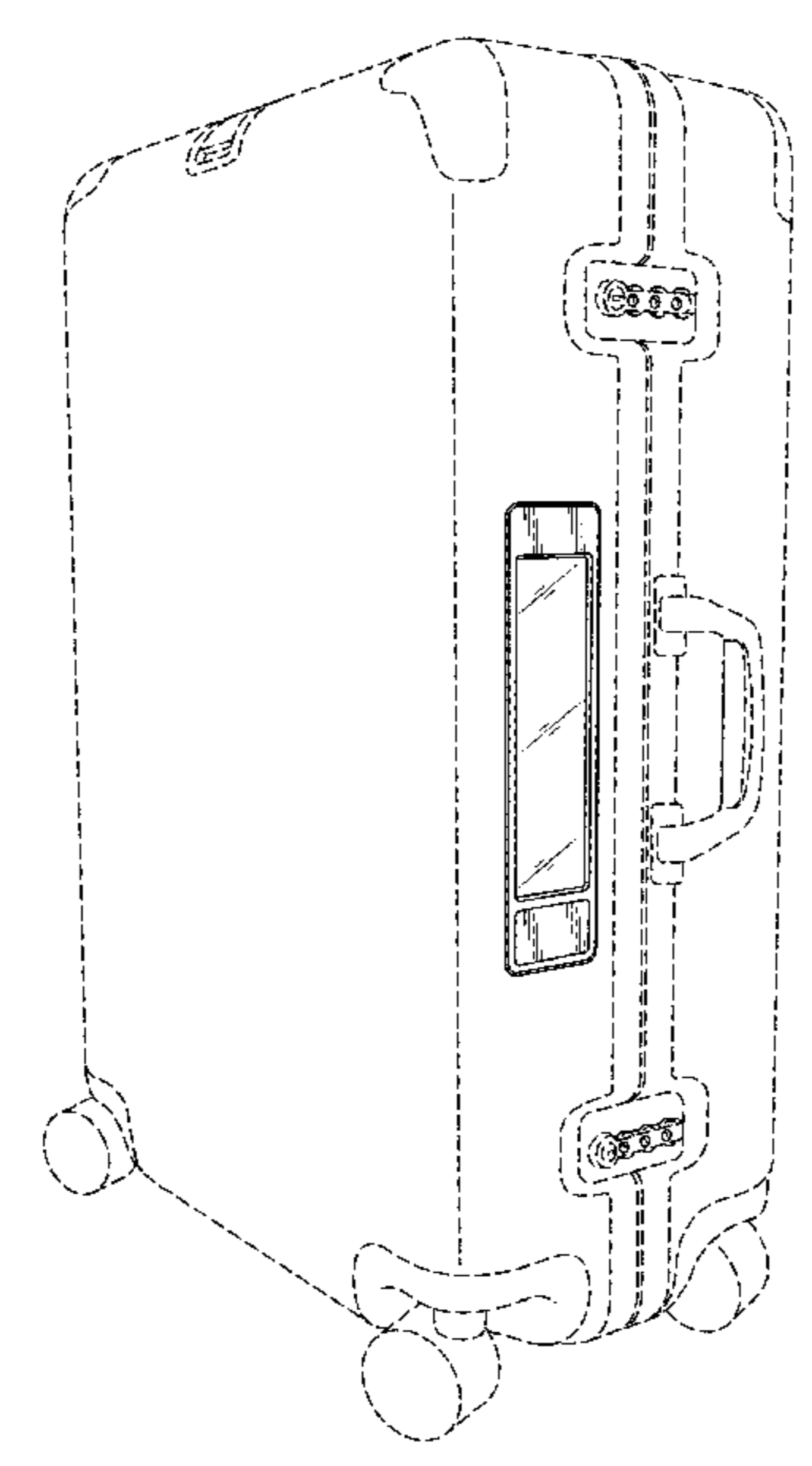
(Continued)

Primary Examiner — Mary Ann Calabrese
Assistant Examiner — Sloan Rozin
(74) *Attorney, Agent, or Firm* — BainwoodHuang

(57) **CLAIM**
The ornamental design for an electronic tag, as shown.

DESCRIPTION
FIG. 1 is a perspective front view of an electronic tag according to my new design, shown in use on a suitcase depicted in broken lines;
FIG. 2 is a perspective front view of the electronic tag;
FIG. 3 is a front view thereof;
FIG. 4 is a rear view thereof;
FIG. 5 is a side view thereof; and,
FIG. 6 is an end view thereof.
The broken lines in FIG. 1 illustrate environment and form no part of the claimed design. The broken lines in FIGS. 2-6 illustrate portions of the article and form no part of the claimed design.

1 Claim, 5 Drawing Sheets



(56)

References Cited

U.S. PATENT DOCUMENTS

2012/0062367 A1* 3/2012 Warther G06K 19/04
340/10.1
2015/0206461 A1* 7/2015 Jubro H01M 2/1044
40/299.01
2015/0279248 A1* 10/2015 Kim G06Q 30/02
40/5
2016/0148544 A1* 5/2016 Goel G06Q 30/06
40/5
2016/0227897 A1* 8/2016 Jobling G09F 3/0291

* cited by examiner

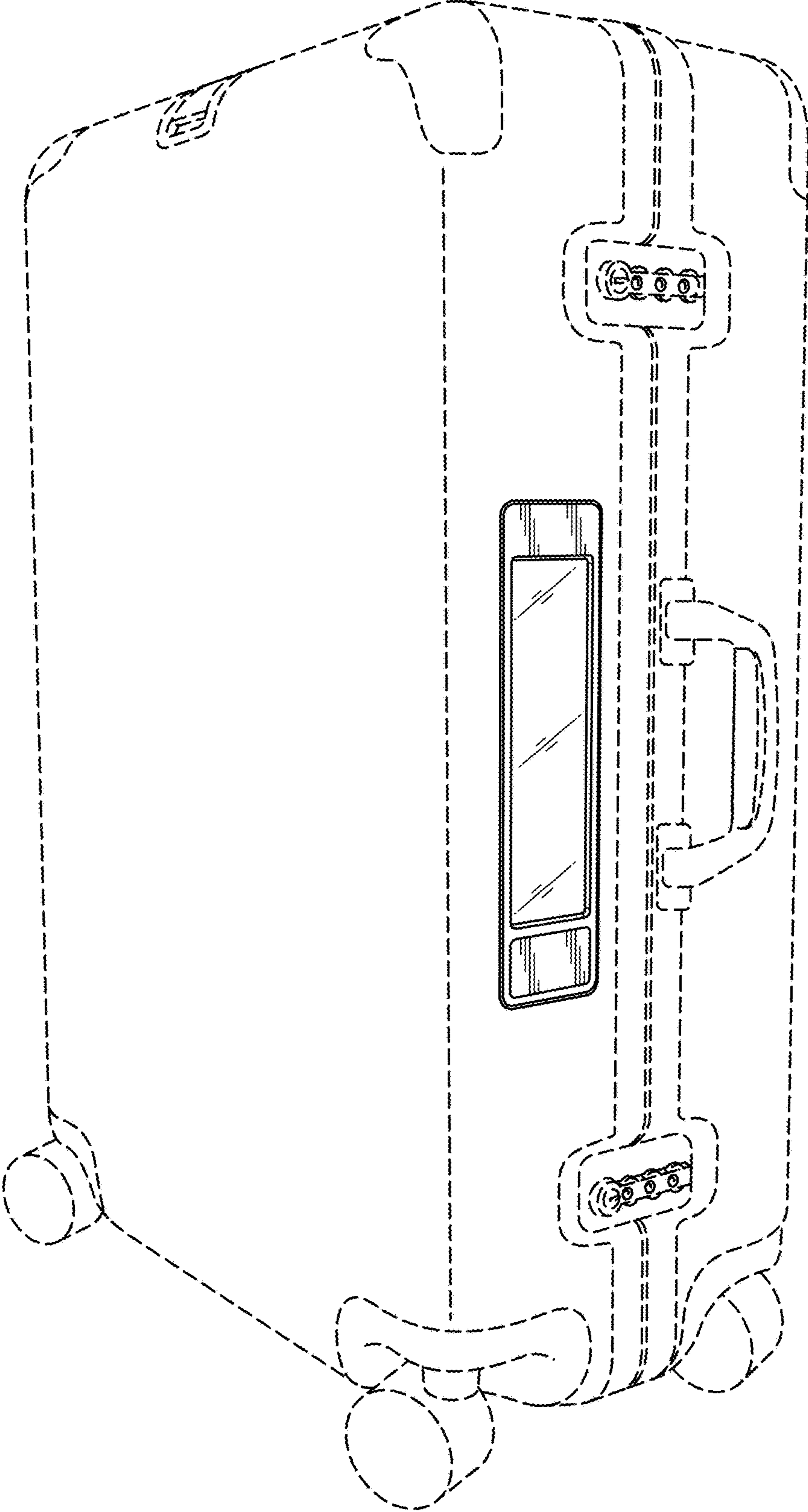


FIG. 1

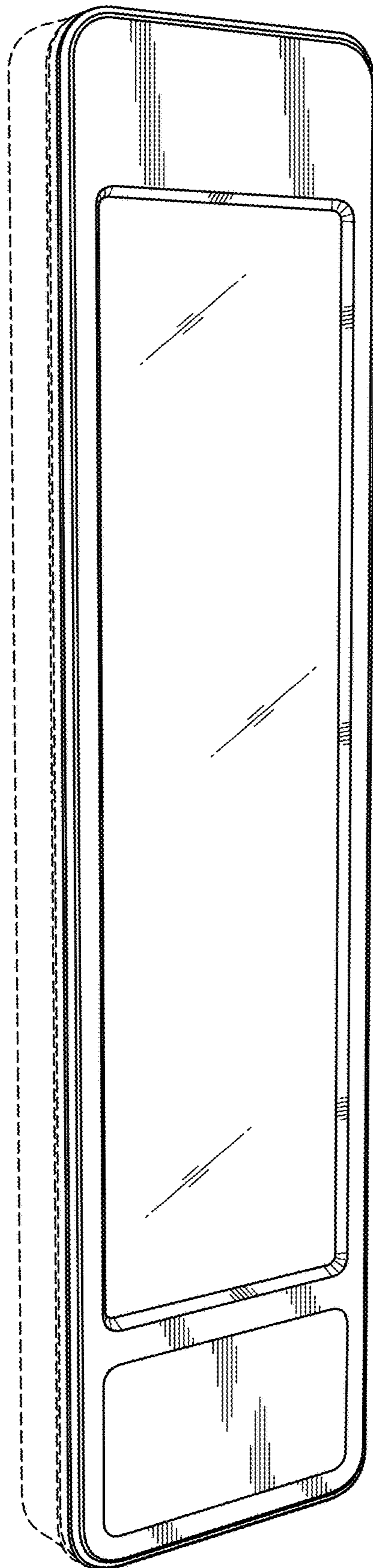


FIG. 2

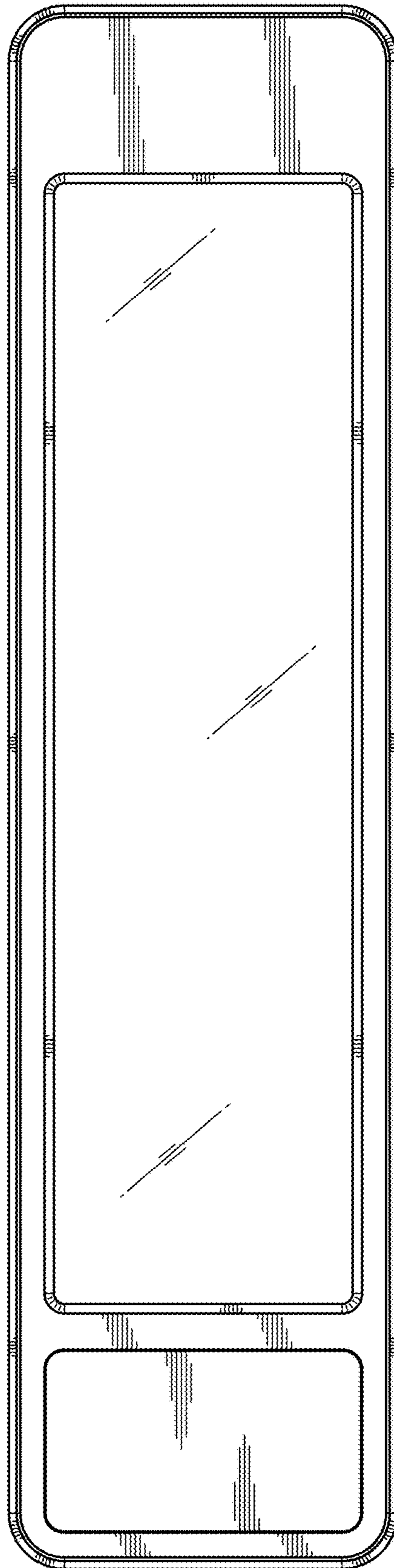


FIG. 3

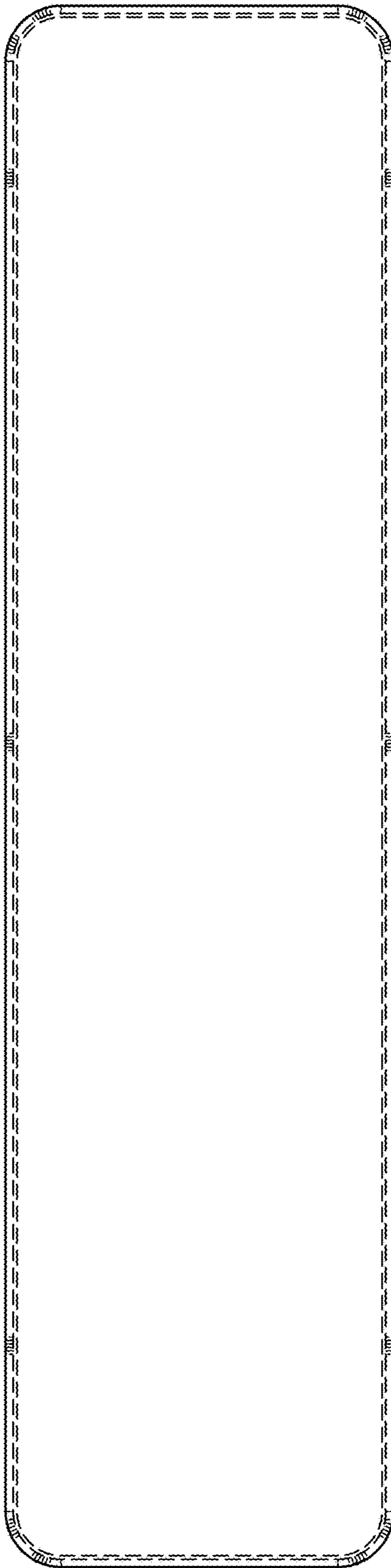


FIG. 4

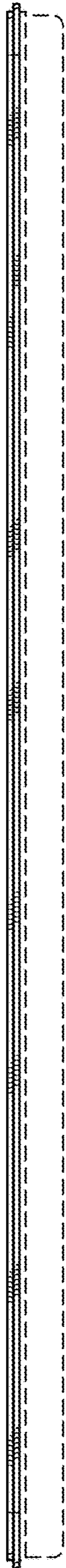


FIG. 5



FIG. 6