



US00D810820S

(12) **United States Design Patent**
Hong et al.

(10) **Patent No.:** **US D810,820 S**
(45) **Date of Patent:** **** Feb. 20, 2018**

(54) **PORTABLE PRINTER**

FOREIGN PATENT DOCUMENTS

(71) Applicant: **Intermec Technologies Corporation**,
Fort Mill, SC (US)

JP D1549844 * 5/2016

(72) Inventors: **Chua Ching Hong**, Singapore (SG);
Suraini Binte Saptu, Singapore (SG);
Noorasykin Binte Mokhtar, Singapore
(SG)

OTHER PUBLICATIONS

Datamax—O’Neil. <URL: <https://www.datamax-oneil.com/do/de/en-us/home/printers-software/portable-printers/thermal-label-printers/file.cfm/LP3-Mobile-Label-Printer-Datasheet-Ltr.pdf?contentID=8145>> Visited Sep. 19, 2017. Portable floor printer.*

(73) Assignee: **Intermec Technologies Corporation**,
Fort Mill, SC (US)

Primary Examiner — Bridget L. Eland

Assistant Examiner — Lauren McVey

(**) Term: **15 Years**

(74) *Attorney, Agent, or Firm* — Additon, Higgins &
Pendleton, P.A.

(21) Appl. No.: **29/548,839**

(22) Filed: **Dec. 17, 2015**

(51) **LOC (11) Cl.** **18-02**

(52) **U.S. Cl.**

USPC **D18/53**; D18/50

(58) **Field of Classification Search**

USPC D18/53, 50, 54, 56, 59, 36, 38, 39, 40,
D18/41, 45, 34.4, 34.5, 34.6; D14/301,
D14/307

CPC G06K 15/12; G06K 15/14; H04N 1/00204;
H04N 1/00249; H04N 1/00278; B41J
3/00; B41J 3/28; B41J 3/445; B41J 3/46

See application file for complete search history.

(57) **CLAIM**

The ornamental design for a portable printer, as shown and described.

DESCRIPTION

FIG. 1 is a front perspective view of a portable printer showing our new design;
FIG. 2 is a front elevation view thereof;
FIG. 3 is a back elevation view thereof;
FIG. 4 is a right side elevation view thereof;
FIG. 5 is a left side elevation view thereof;
FIG. 6 is a top plan view thereof;
FIG. 7 is a bottom plan view thereof;
FIG. 8 is another perspective view thereof shown with environment; and,
FIG. 9 is yet another perspective view thereof shown with environment.

The broken lines immediately adjacent the shaded areas represent the bounds of the claimed design while all other broken lines are directed to environment and are for illustrative purposes only; the broken lines form no part of the claimed design.

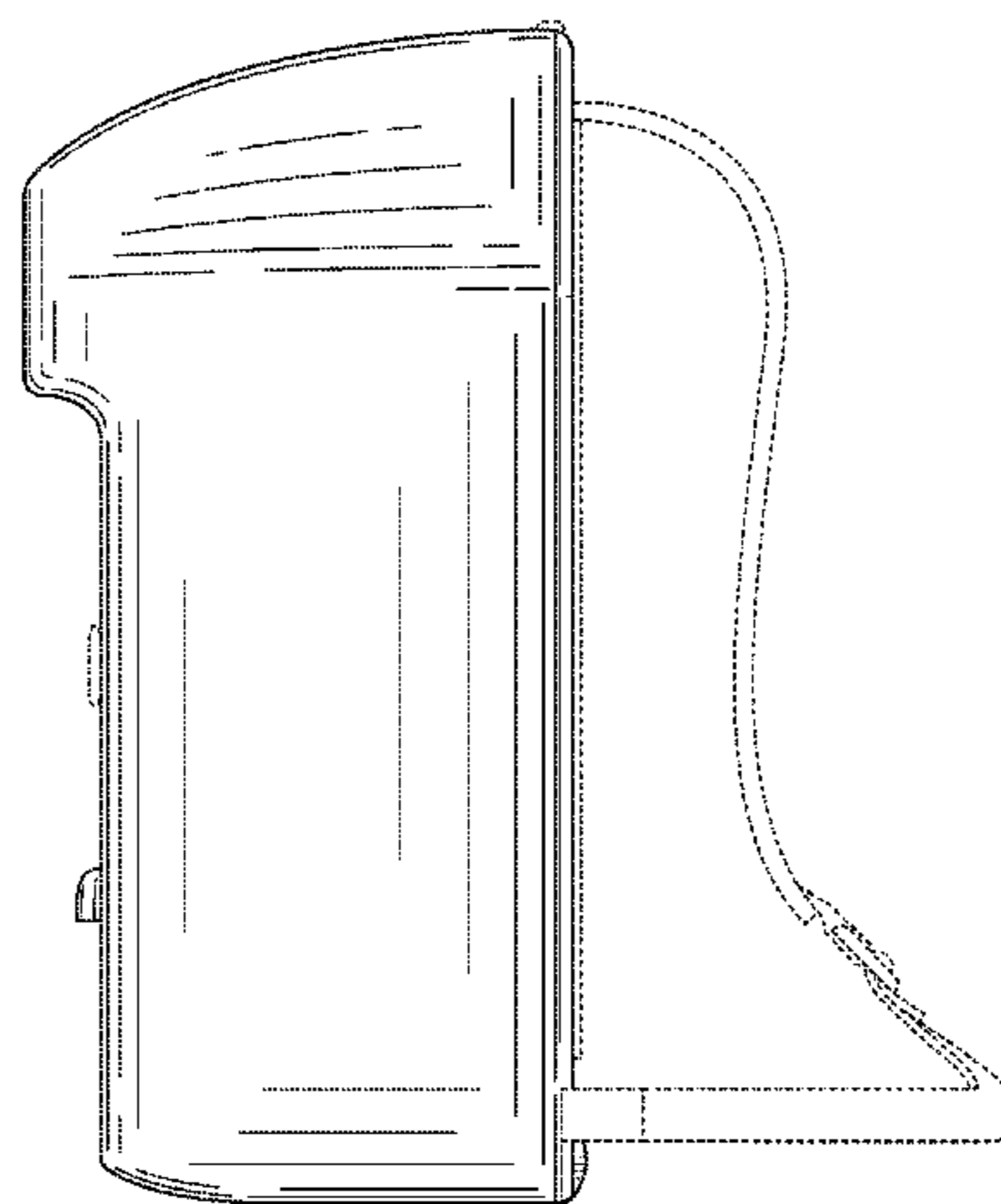
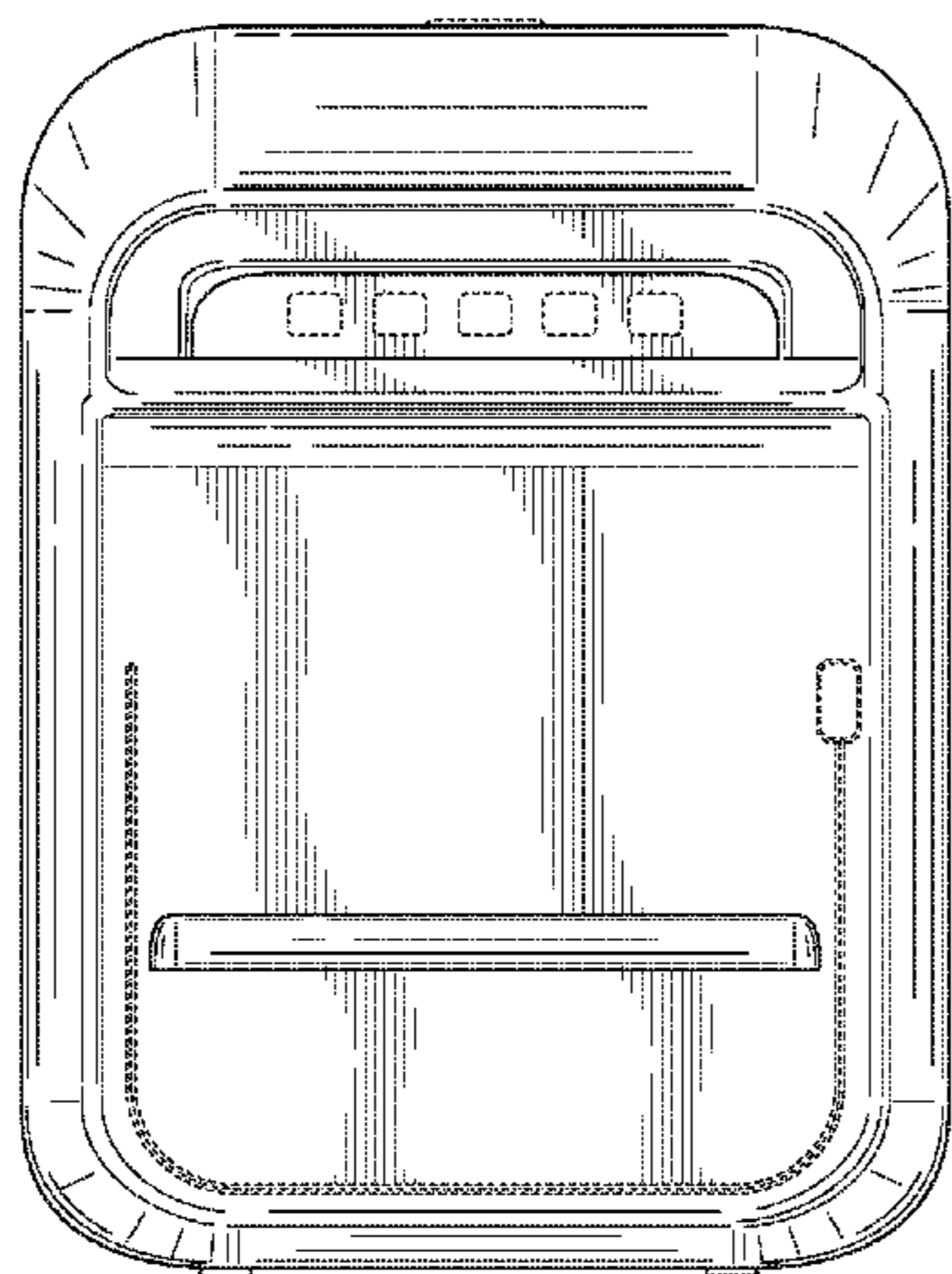
(56) **References Cited**

U.S. PATENT DOCUMENTS

D277,856	S	*	3/1985	Lewellen	D13/156
D289,649	S	*	5/1987	Jablonski	D14/307
D314,008	S	*	1/1991	Takahashi	D16/246
5,006,002	A	*	4/1991	Brodbeck	B41J 3/36 400/613.2
D518,513	S	*	4/2006	Sugitani	D18/50
D556,822	S	*	12/2007	Hong	D18/50
D617,830	S	*	6/2010	Lecheheb	D18/59
D660,349	S	*	5/2012	Hiraguchi	D18/50
D665,017	S	*	8/2012	Hutchison	D18/50
D694,319	S	*	11/2013	Nakagawa	D18/19
D699,782	S	*	2/2014	Abe	D18/50

(Continued)

1 Claim, 9 Drawing Sheets



(56)

References Cited

U.S. PATENT DOCUMENTS

D699,783 S * 2/2014 Abe D18/50
D750,163 S * 2/2016 Arima D18/50

* cited by examiner

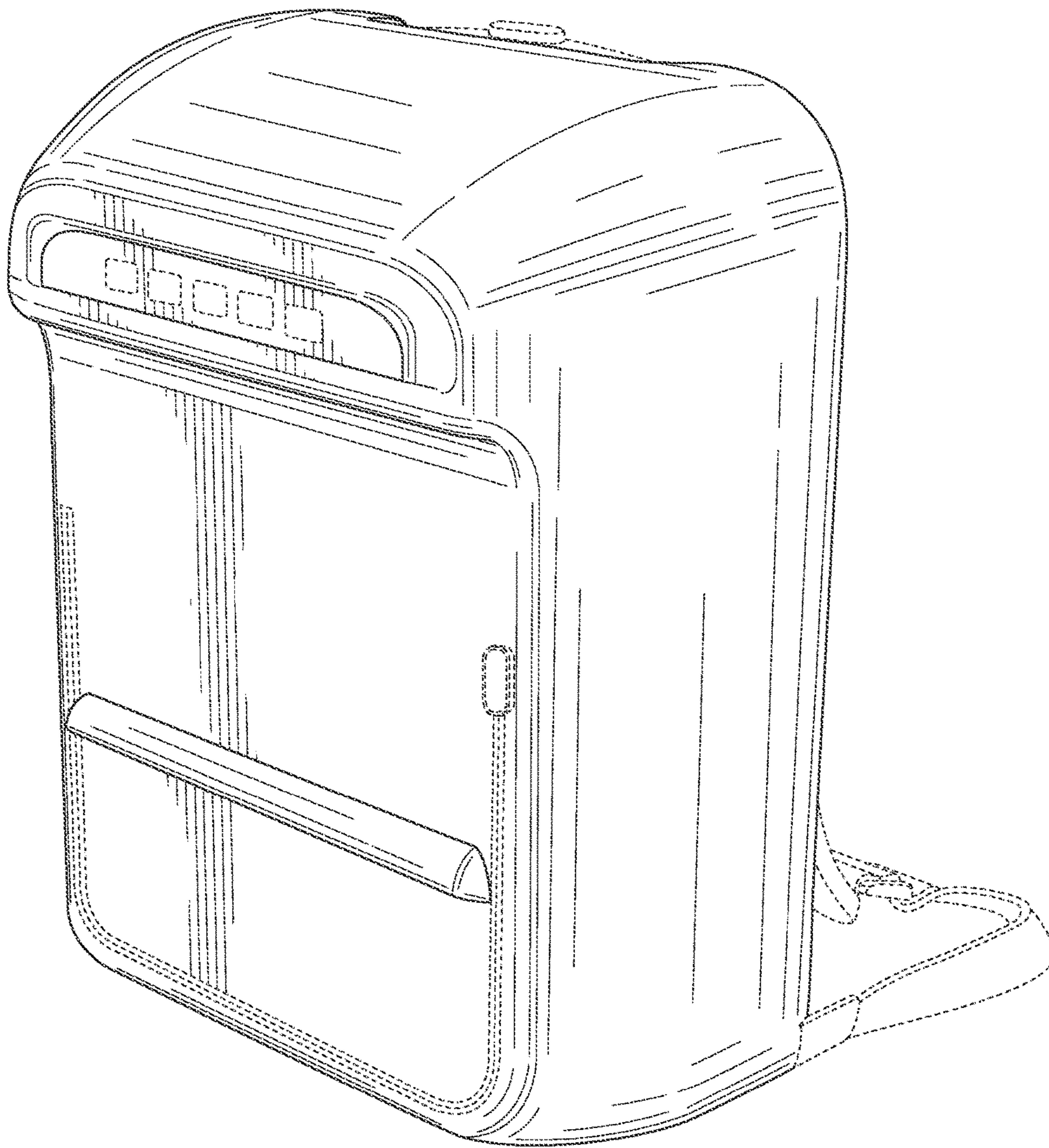


FIG. 1

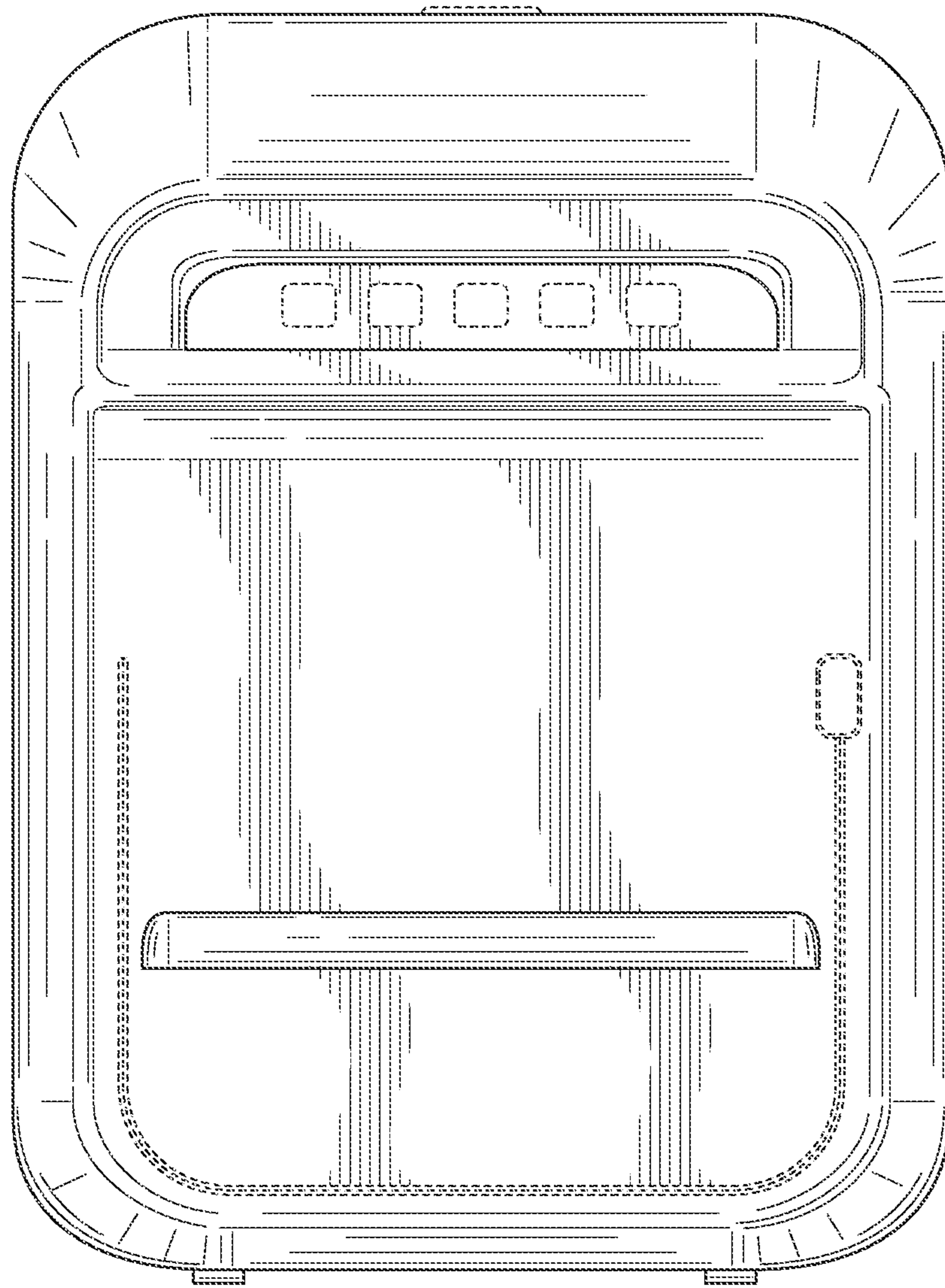


FIG. 2

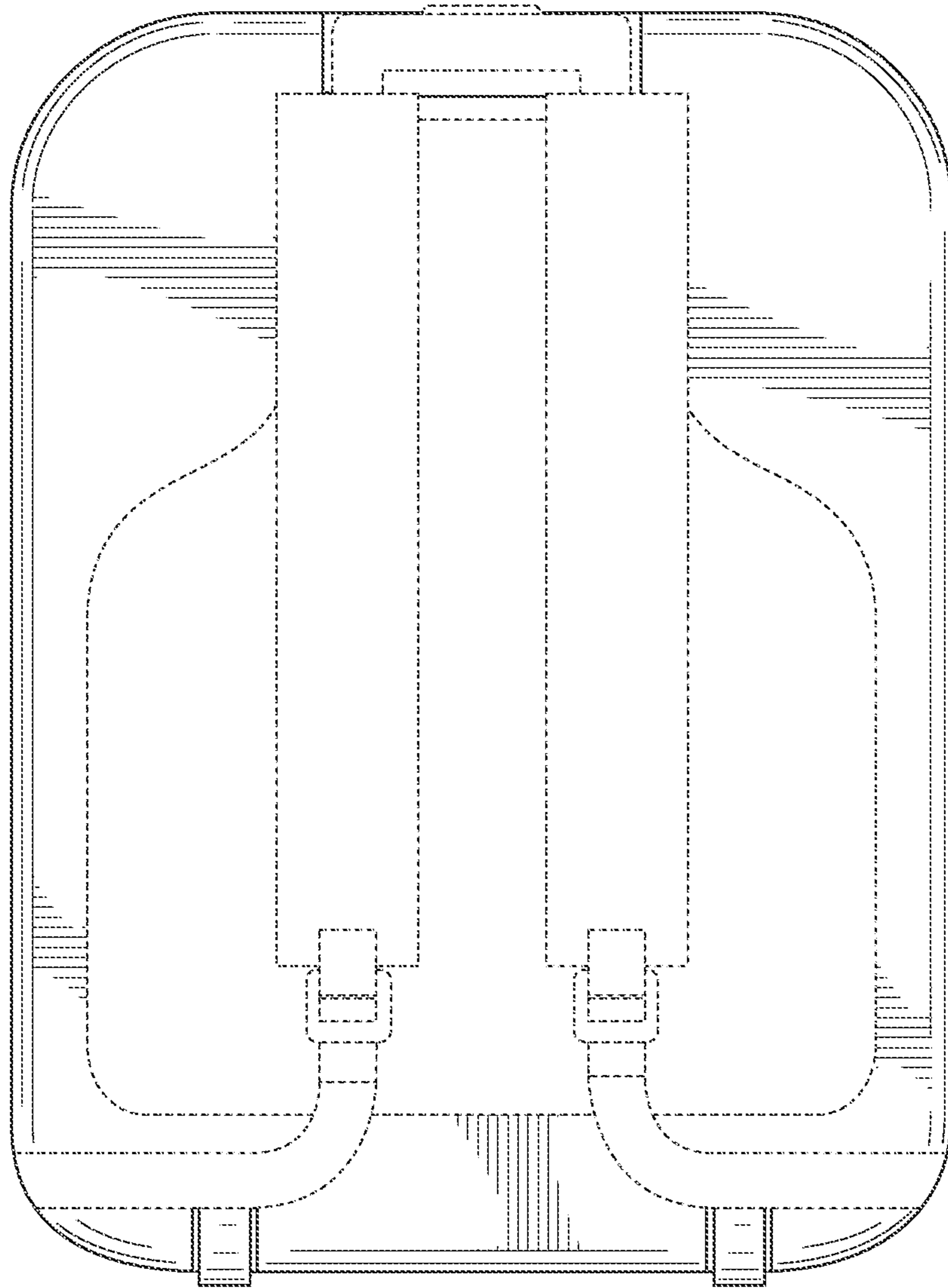


FIG. 3

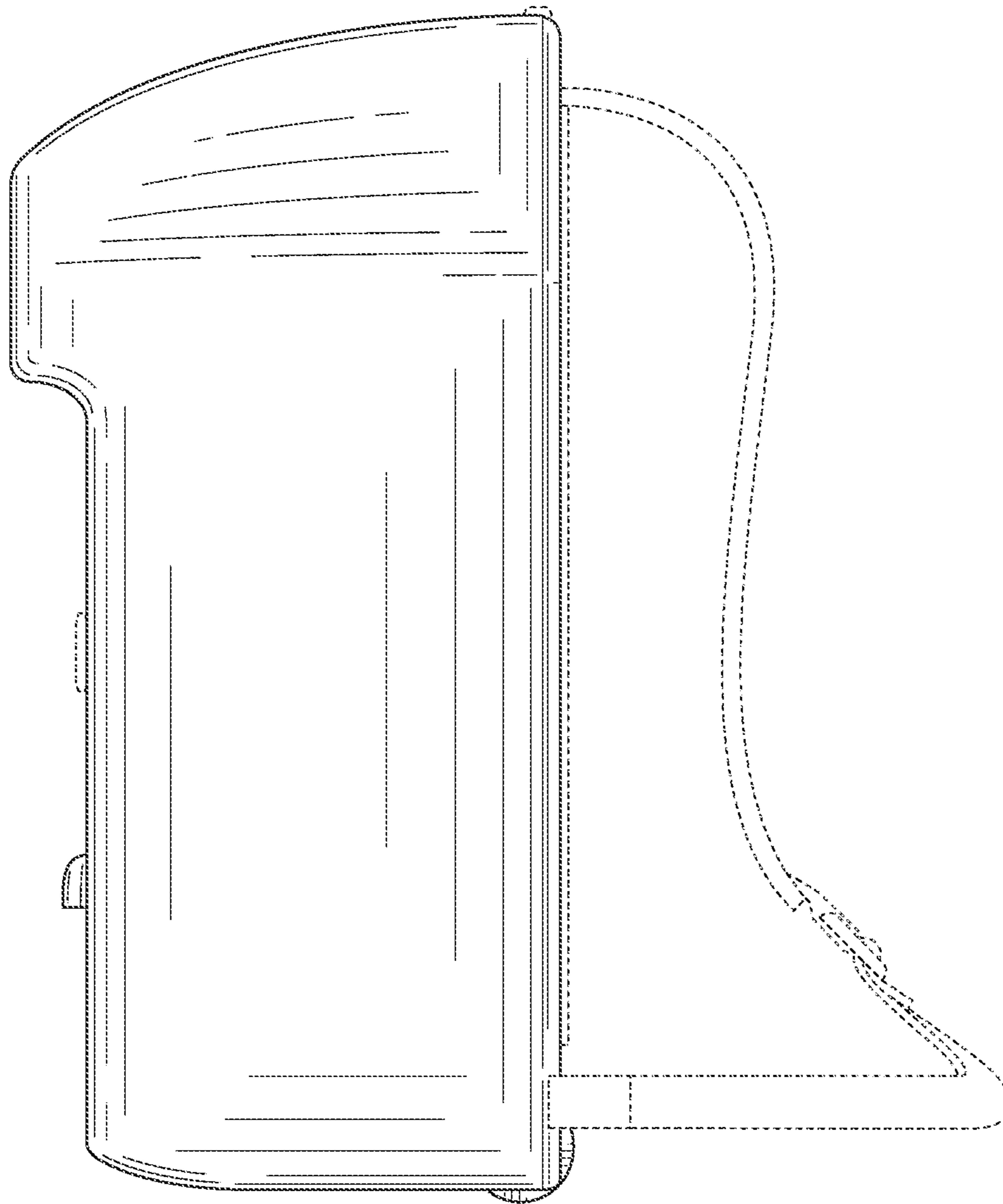


FIG. 4

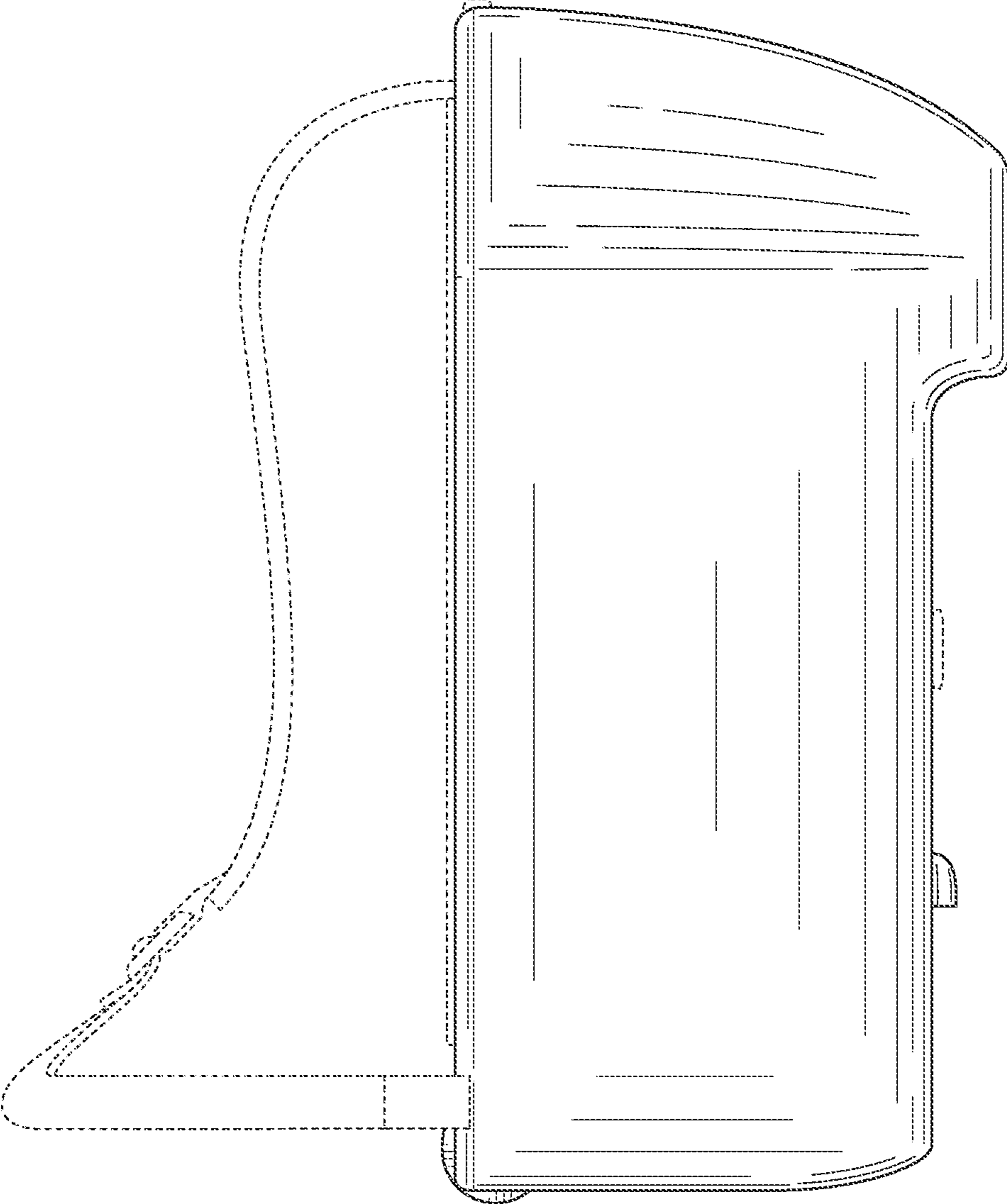


FIG. 5

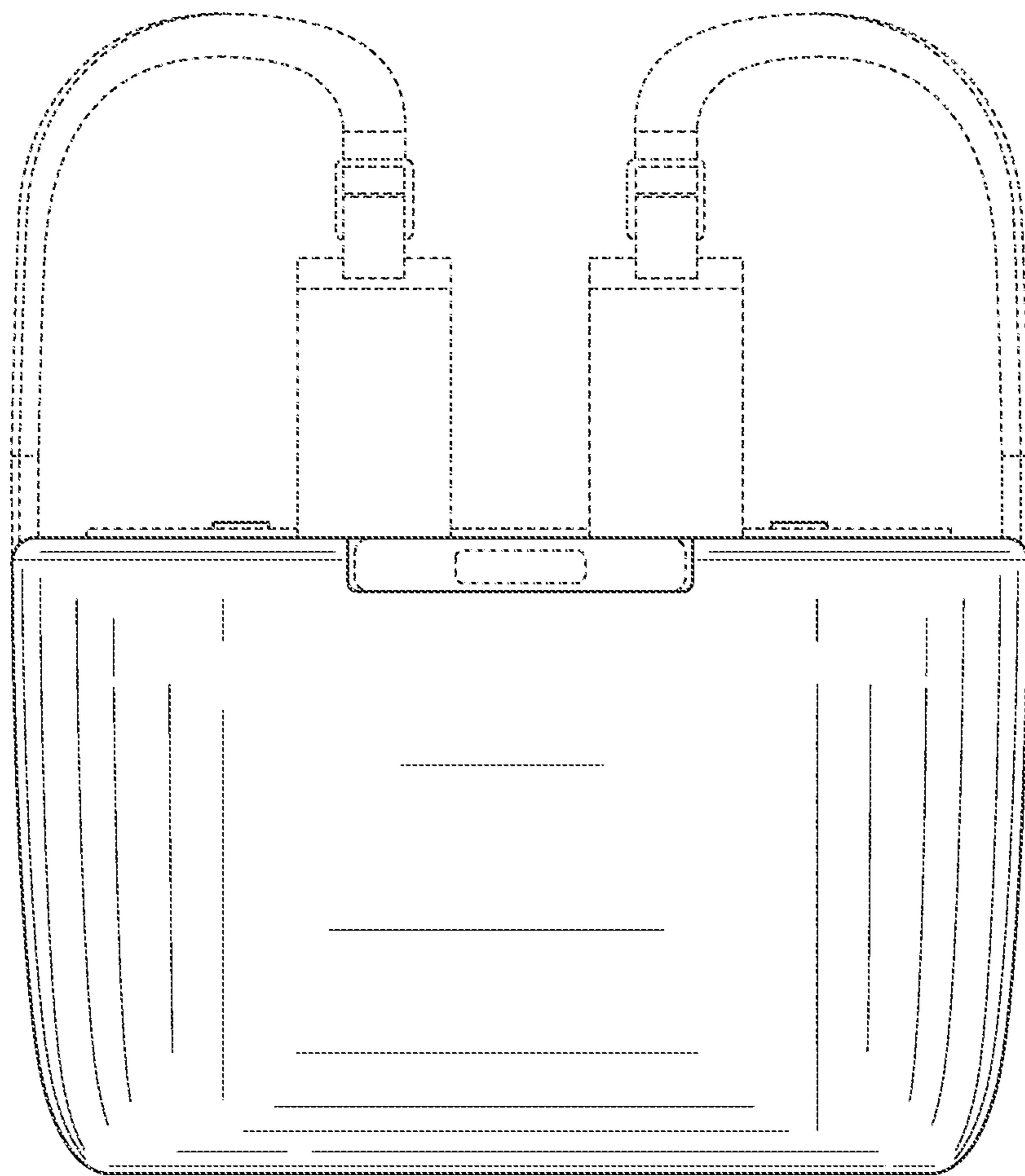


FIG. 6

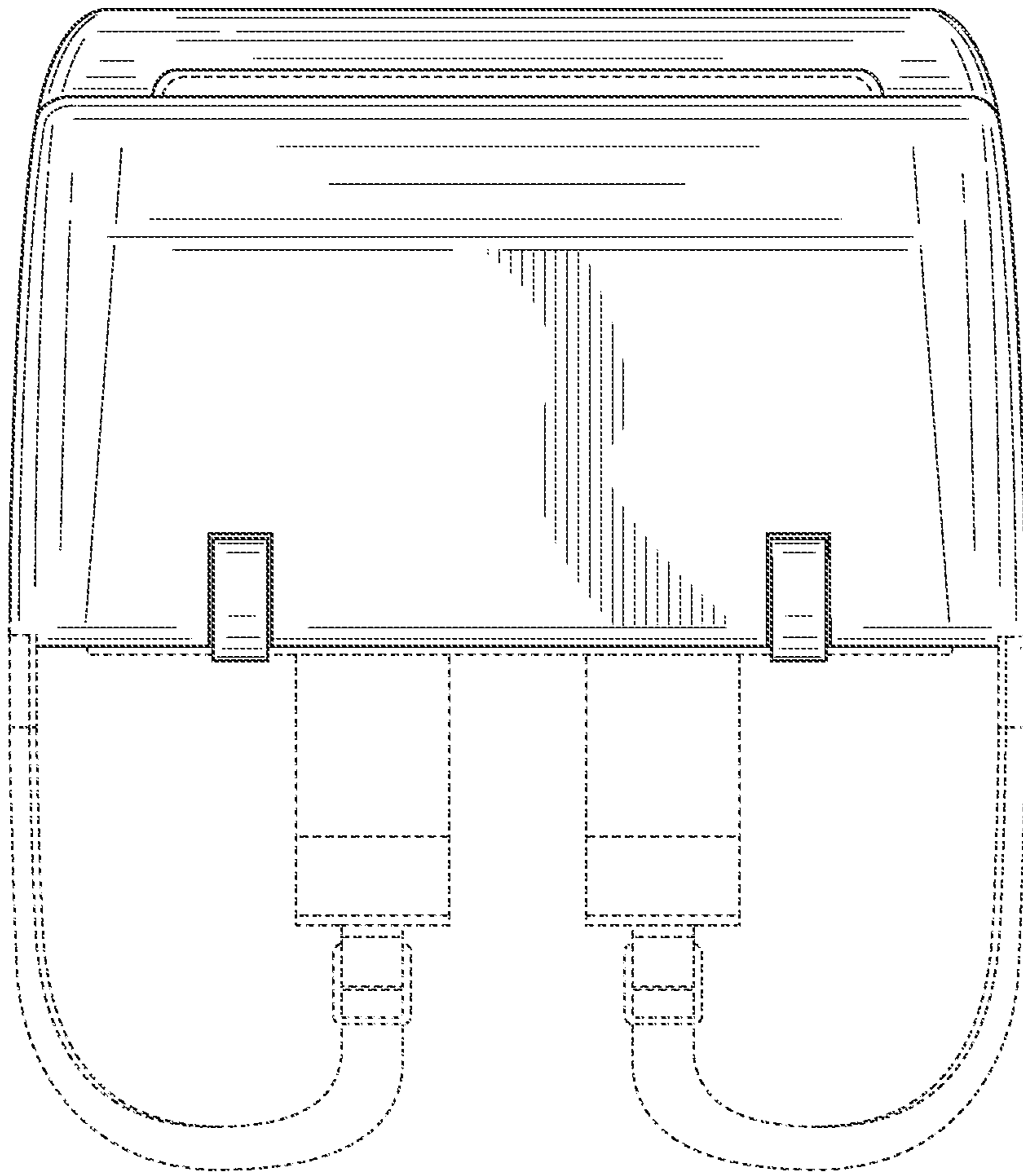


FIG. 7

