



US00D810819S

(12) **United States Design Patent** (10) **Patent No.:** **US D810,819 S**
Cesar (45) **Date of Patent:** **** Feb. 20, 2018**

(54) **PRINTER**

FOREIGN PATENT DOCUMENTS

(71) Applicant: **Hewlett-Packard Development Company, L.P.**

CN	302309216	*	1/2013
CN	302773040	*	3/2014
CN	302910224	*	8/2014
CN	303409479	*	10/2015
JP	D1543390	*	2/2016
JP	D1543556	*	2/2016

(72) Inventor: **Javier Alfonso Cesar**, Barcelona (ES)

(73) Assignee: **Hewlett-Packard Development Company, L.P.**, Houston, TX (US)

OTHER PUBLICATIONS

(**) Term: **15 Years**

YouTube. <URL: <https://www.youtube.com/watch?v=Vmt6PMhA32s>>. Sep. 28, 2012. HP Designjet T520 Large Format Printer.*

(21) Appl. No.: **29/532,023**

* cited by examiner

(22) Filed: **Jul. 1, 2015**

(51) **LOC (11) Cl.** **18-02**

(52) **U.S. Cl.**
USPC **D18/53**

(58) **Field of Classification Search**
USPC D18/53, 56, 59, 36, 38, 39, 40, 41, 45;
D14/301, 304, 305, 307

CPC G06K 15/12; G06K 15/14; H04N 1/00204;
H04N 1/00249; H04N 1/00278

See application file for complete search history.

Primary Examiner — Thomas Johannes

Assistant Examiner — Lauren McVey

(74) *Attorney, Agent, or Firm* — HP Inc. Patent Department

(57) **CLAIM**

I claim the ornamental design for a printer, as shown and described.

(56) **References Cited**

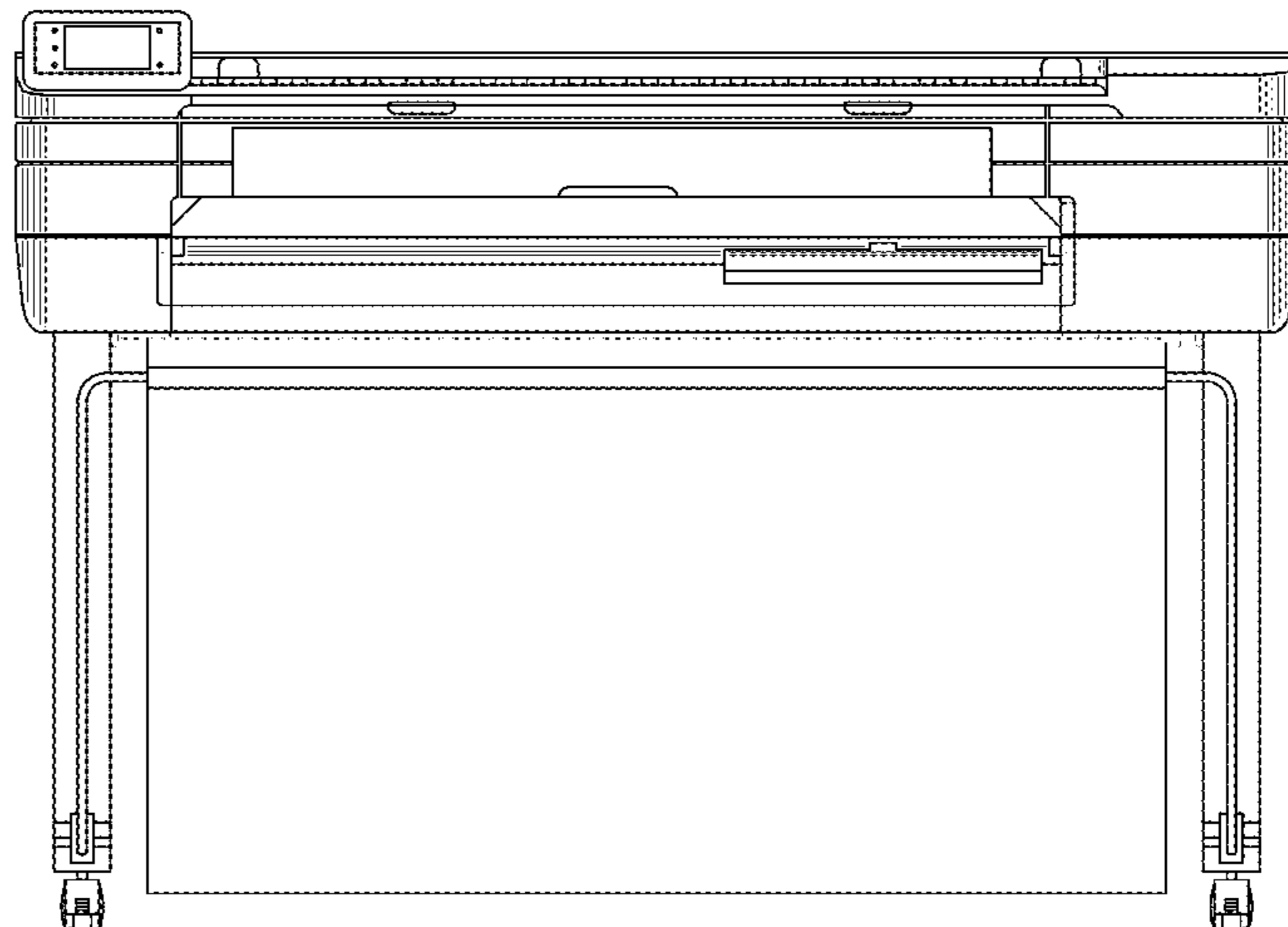
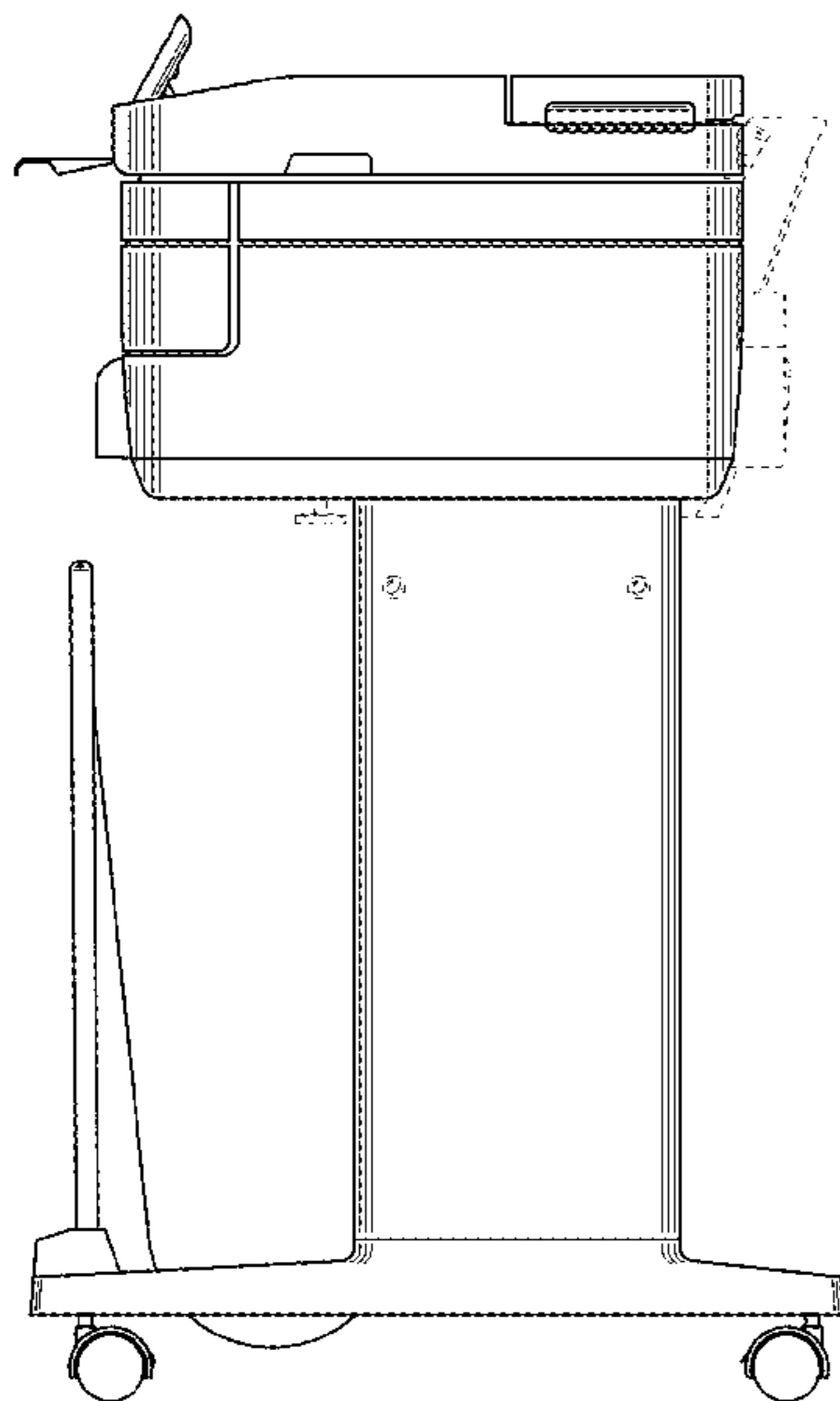
DESCRIPTION

U.S. PATENT DOCUMENTS

D400,917 S	*	11/1998	Kajikawa	D18/53
D407,740 S	*	4/1999	Ina	D18/53
D458,963 S	*	6/2002	Caamano	D18/53
D529,545 S	*	10/2006	Kimura	D18/53
D544,533 S	*	6/2007	Moliner	D18/53
D561,823 S	*	2/2008	Morillo	D18/53
D595,345 S	*	6/2009	Yagi	D18/53
D595,346 S	*	6/2009	Yamano	D18/53
D597,131 S	*	7/2009	Yamano	D18/53
D619,165 S	*	7/2010	Sakurai	D18/53
D643,463 S	*	8/2011	Sakurai	D18/53
D747,766 S	*	1/2016	Cesar	D18/53
D751,637 S	*	3/2016	Cesar	D18/53

FIG. 1 is a right side view of a printer;
FIG. 2 is a left side view thereof;
FIG. 3 is a front view thereof;
FIG. 4 is a rear view thereof;
FIG. 5 is a top view thereof;
FIG. 6 is a front perspective view thereof; and,
FIG. 7 is another front perspective view thereof.
The broken lines immediately adjacent the claim represent the bounds of the claimed design; the broken lines form no part of the claimed design.

1 Claim, 7 Drawing Sheets



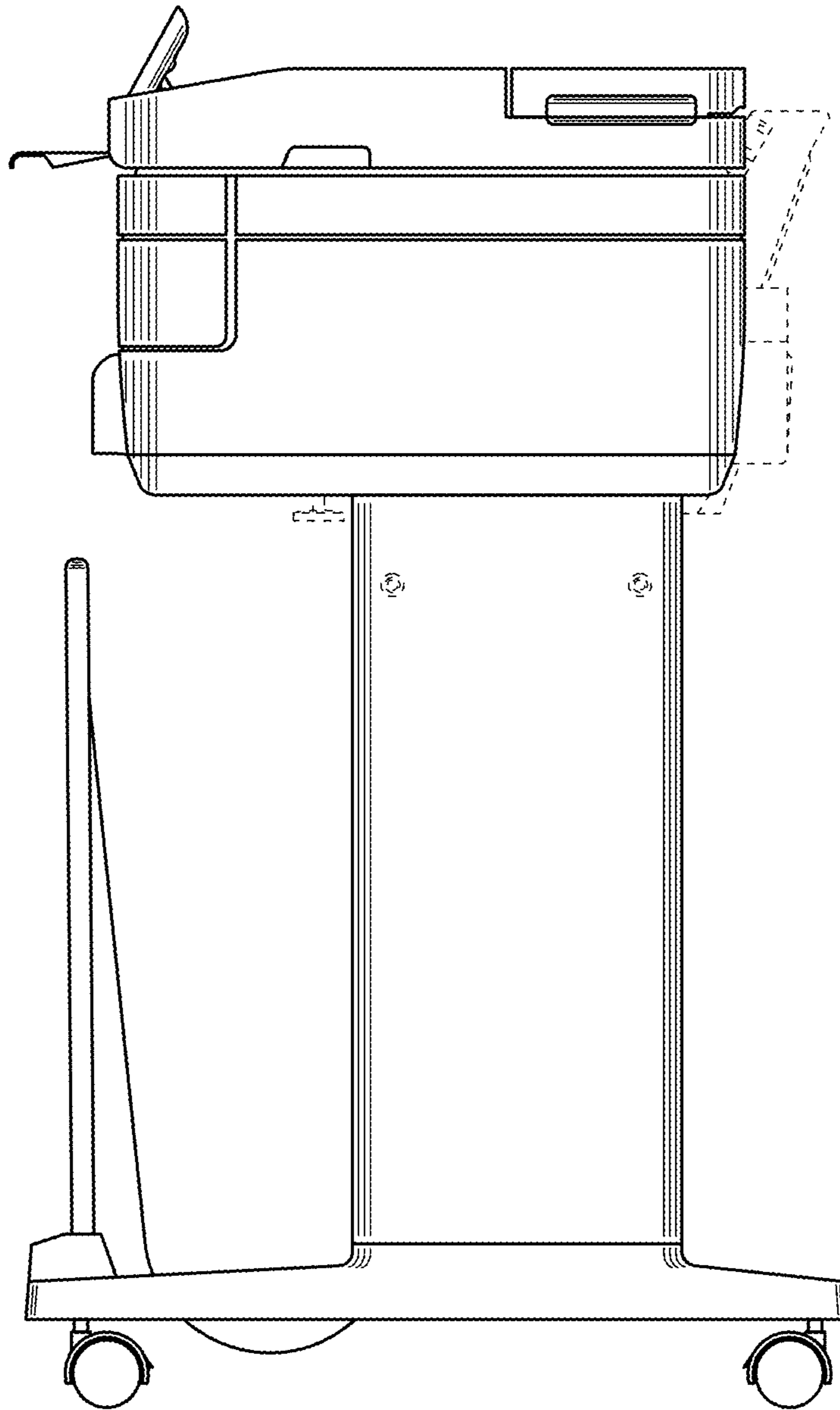


Fig. 1

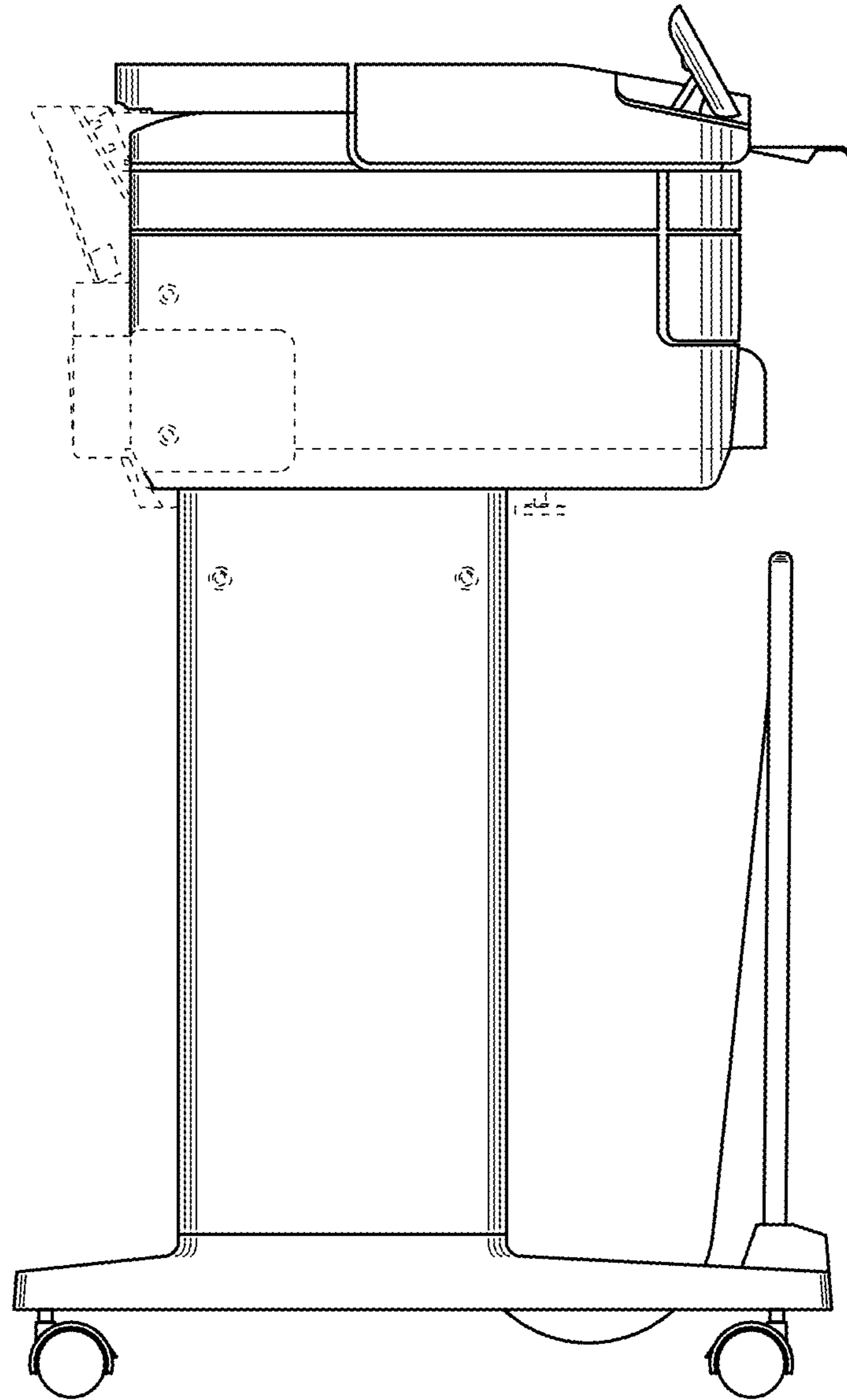


Fig. 2

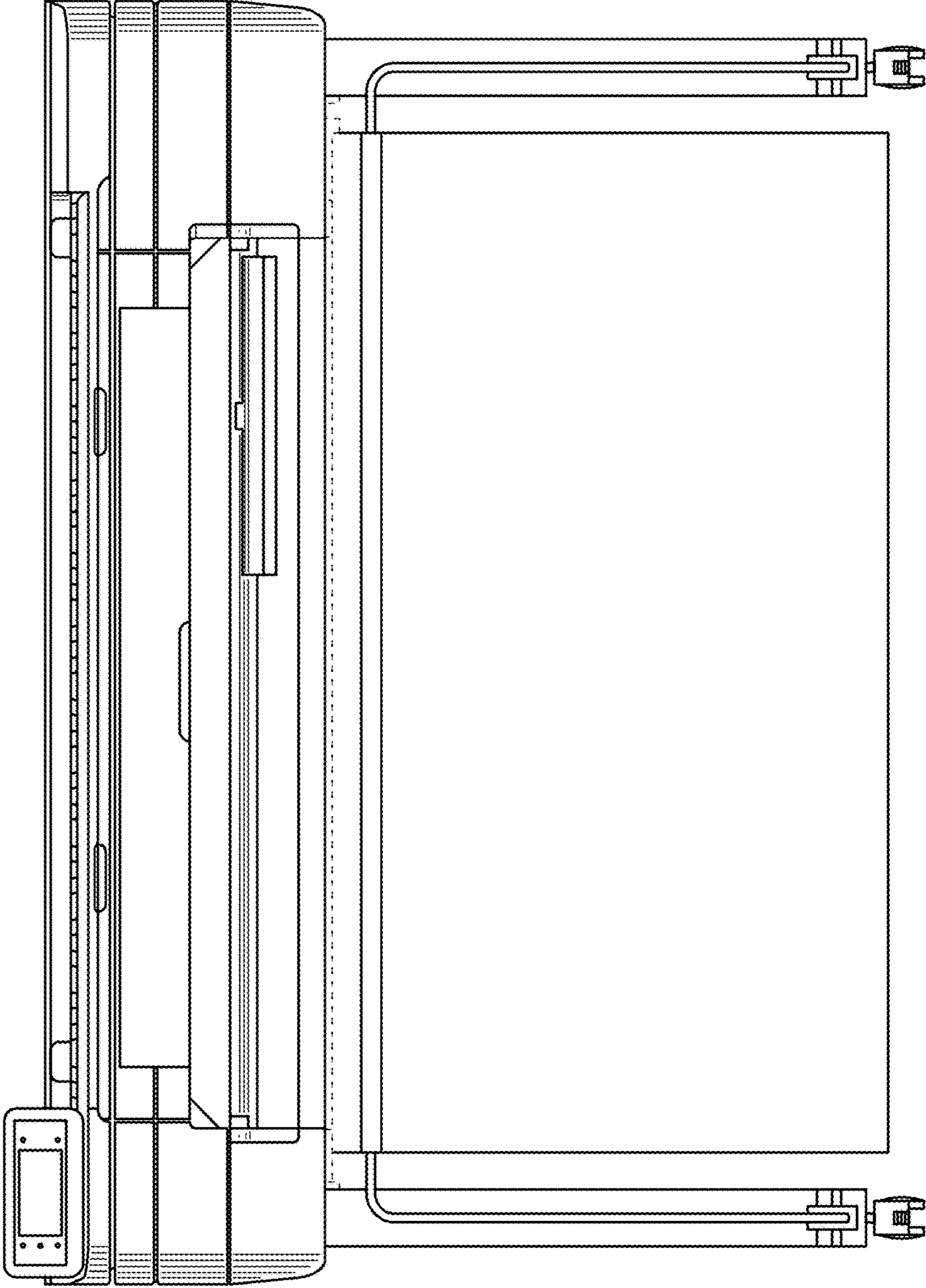


Fig. 3

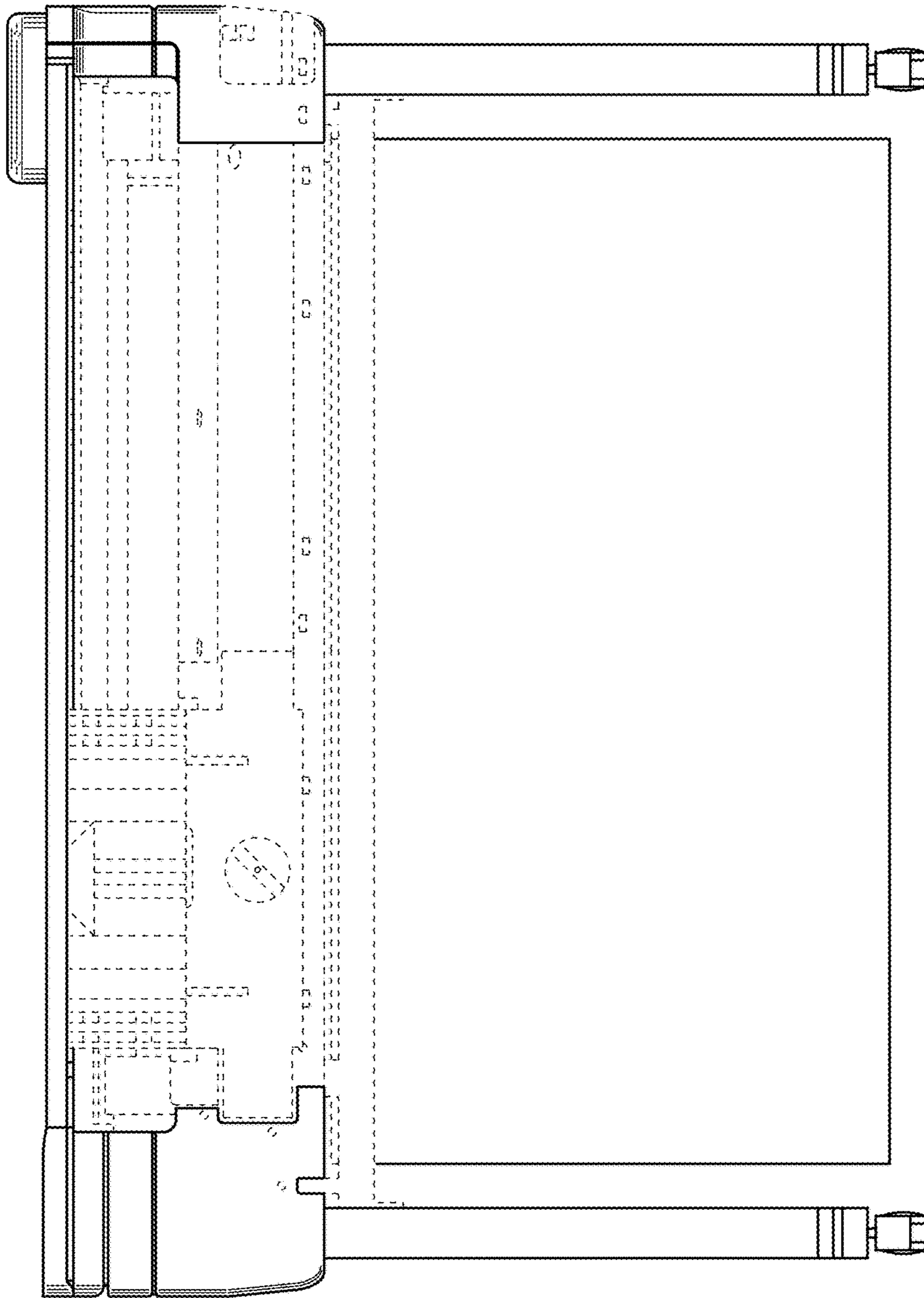


Fig. 4

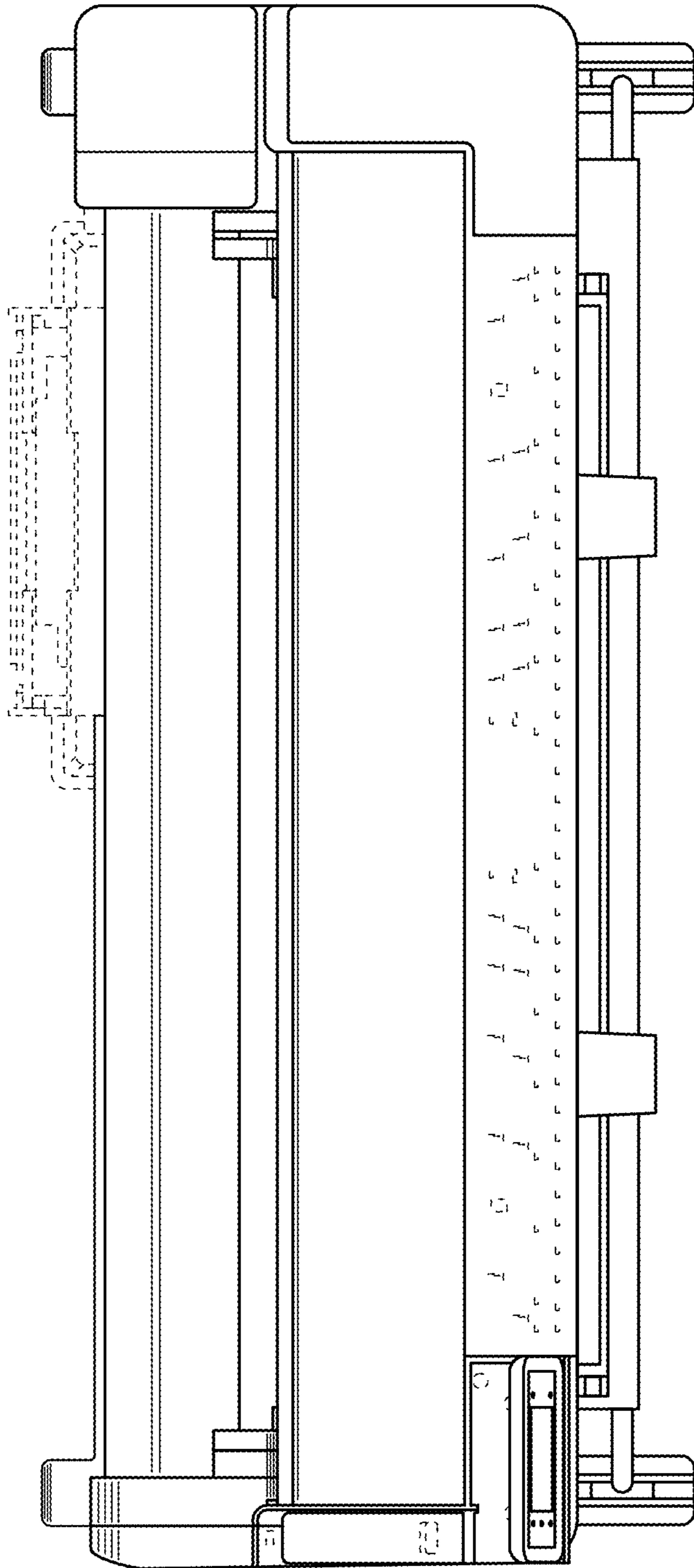


Fig. 5

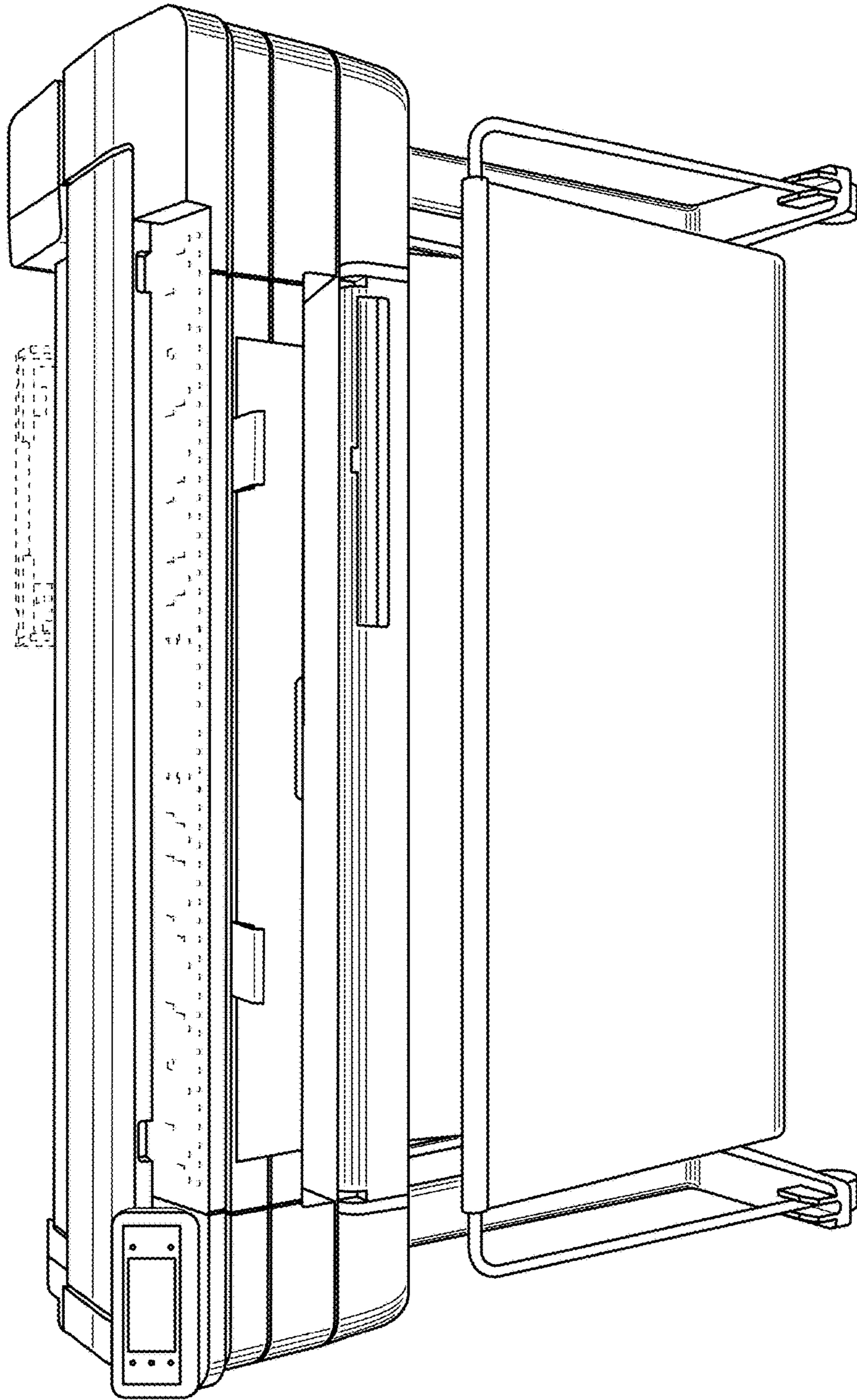


Fig. 6

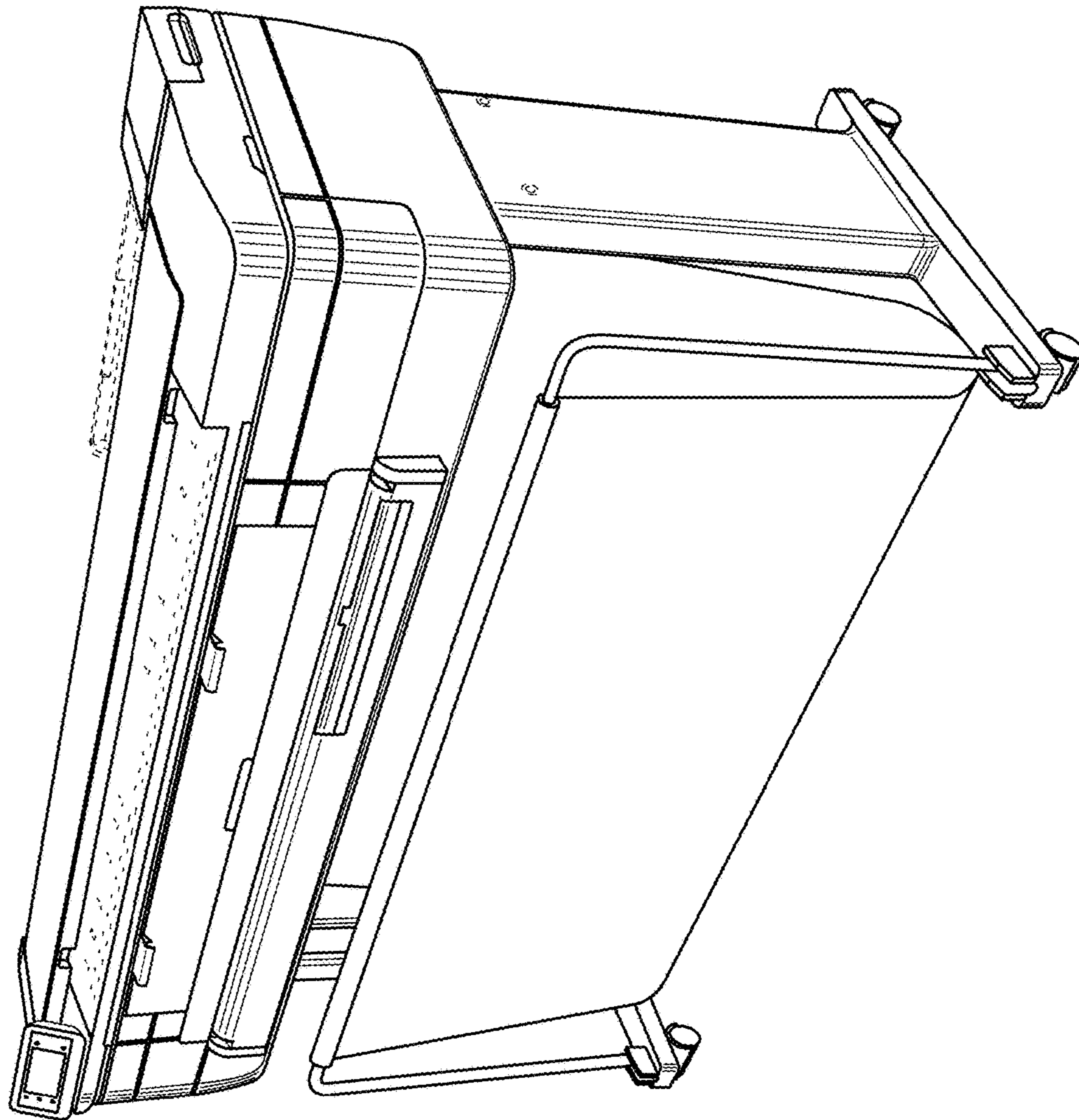


Fig. 7