



US00D810817S

(12) **United States Design Patent**
Wang et al.

(10) **Patent No.:** **US D810,817 S**
(45) **Date of Patent:** **** Feb. 20, 2018**

(54) **SMART PAYMENT TERMINAL**

(71) Applicant: **PAX COMPUTER TECHNOLOGY (SHENZHEN) CO., LTD.**, Shenzhen (CN)

(72) Inventors: **Yuzhuo Wang**, Shenzhen (CN);
Zhiqiang Huang, Shenzhen (CN);
Yunbo Huang, Shenzhen (CN)

(73) Assignee: **PAX COMPUTER TECHNOLOGY (SHENZHEN) CO., LTD.**, Shenzhen, Guangdong (CN)

(**) Term: **15 Years**

(21) Appl. No.: **29/533,261**

(22) Filed: **Jul. 15, 2015**

(30) **Foreign Application Priority Data**

May 29, 2015 (CN) 2015 3 0171072

(51) **LOC (11) Cl.** **18-01**

(52) **U.S. Cl.**
USPC **D18/4.6**

(58) **Field of Classification Search**
USPC D18/1–12.3, 46–49; D14/125–127, 230,
D14/307, 314, 323, 336, 345, 385, 422,
(Continued)

(56) **References Cited**

U.S. PATENT DOCUMENTS

D287,591 S * 1/1987 Kaplan D14/387
5,164,576 A * 11/1992 Anglin G06K 13/06
235/449

(Continued)

Primary Examiner — Susan Bennett Hattan

Assistant Examiner — Brett Miller

(74) *Attorney, Agent, or Firm* — Hamre, Schumann,
Mueller & Larson, P.C.

(57) **CLAIM**

The ornamental design for a smart payment terminal, as shown and described.

DESCRIPTION

FIG. 1 is a perspective view of a smart payment terminal according to a first embodiment;
FIG. 2 is a front view of the smart payment terminal according to the first embodiment;
FIG. 3 is a rear view of the smart payment terminal according to the first embodiment;
FIG. 4 is a left side view of the smart payment terminal according to the first embodiment;
FIG. 5 is a right side view of the smart payment terminal according to the first embodiment;
FIG. 6 is a top view of the smart payment terminal according to the first embodiment;
FIG. 7 is a bottom view of the smart payment terminal according to the first embodiment;
FIG. 8 is a first perspective view of a smart payment terminal according to a second embodiment;
FIG. 9 is a front view of the smart payment terminal according to the second embodiment;
FIG. 10 is a rear view of the smart payment terminal according to the second embodiment;
FIG. 11 is a left side view of the smart payment terminal according to the second embodiment;
FIG. 12 is a right side view of the smart payment terminal according to the second embodiment;
FIG. 13 is a top view of the smart payment terminal according to the second embodiment;
FIG. 14 is a bottom view of the smart payment terminal according to the second embodiment;
FIG. 15 is a first perspective view of a smart payment terminal according to a third embodiment;
FIG. 16 is a front view of the smart payment terminal according to the third embodiment;
FIG. 17 is a rear view of the smart payment terminal according to the third embodiment;
FIG. 18 is a left side view of the smart payment terminal according to the third embodiment;
FIG. 19 is a right side view of the smart payment terminal according to the third embodiment;

(Continued)

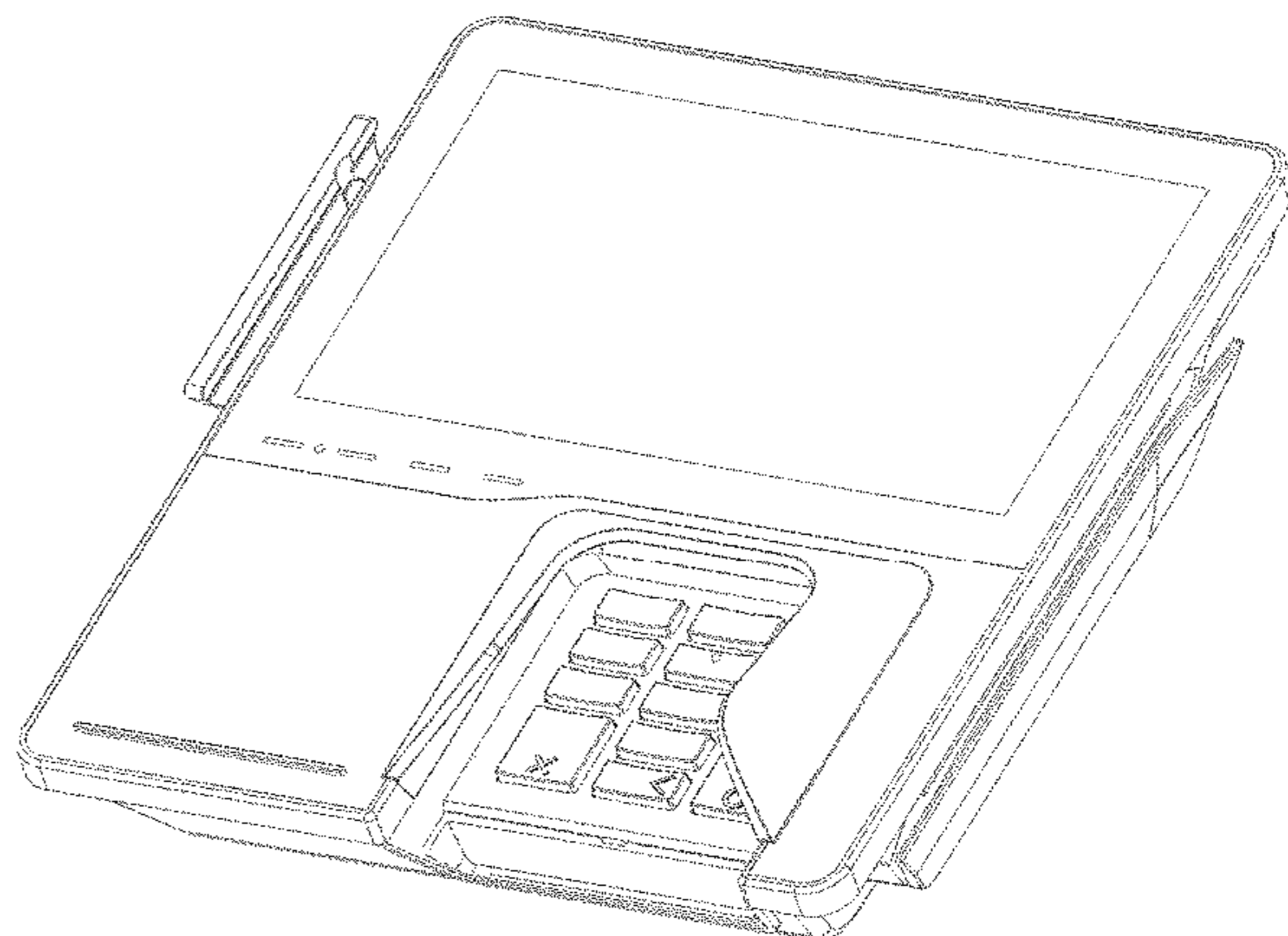
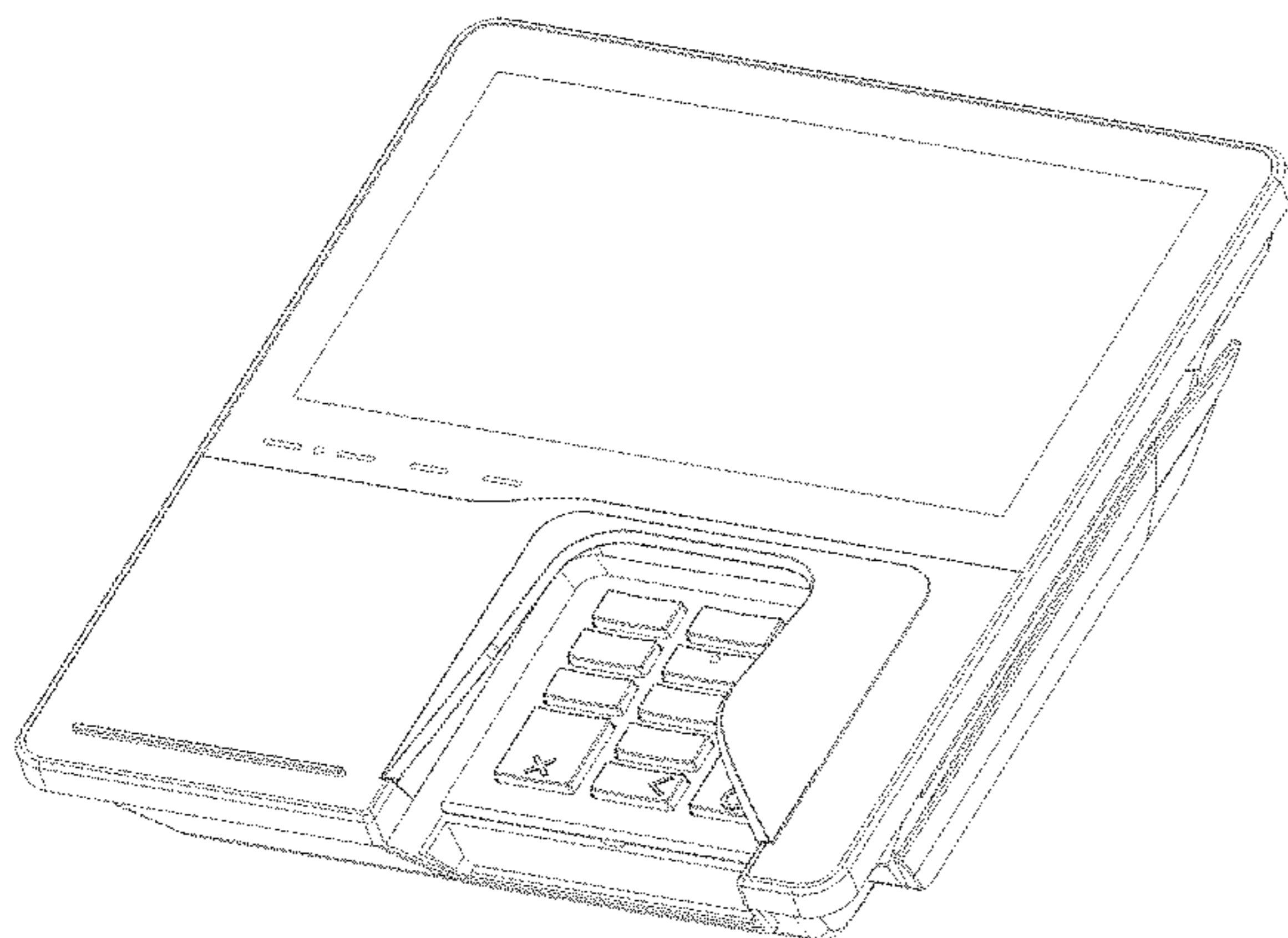


FIG. 20 is a top view of the smart payment terminal according to the third embodiment;
 FIG. 21 is a bottom view of the smart payment terminal according to the third embodiment;
 FIG. 22 is a second perspective view of the smart payment terminal according to the third embodiment;
 FIG. 23 is a second perspective view of the smart payment terminal according to the second embodiment; and,
 FIG. 24 is an enlarged view of part 24 in FIG. 22.
 The broken lines in the drawings depict portions of the smart payment terminal that form no part of the claimed design.

1 Claim, 15 Drawing Sheets

(58) **Field of Classification Search**

USPC D14/496, 373, 371, 374-377, 341, 389;
 705/16, 17; D99/34, 43; 235/449
 CPC G07G 1/0018; G07G 1/12; G06F 21/86
 See application file for complete search history.

(56) **References Cited**

U.S. PATENT DOCUMENTS

D367,044 S * 2/1996 Arakaki D18/4.6
 D367,647 S * 3/1996 Faggard D14/387

D409,650 S * 5/1999 Hanna D18/4.6
 D455,889 S * 4/2002 Jobin D99/43
 6,991,159 B2 * 1/2006 Zenou G07G 1/0018
 705/17
 D525,410 S * 7/2006 Colley D99/43
 D544,903 S * 6/2007 Henry D18/4.6
 D590,575 S * 4/2009 Bleck D99/43
 D672,778 S * 12/2012 Bousfield D14/385
 8,665,229 B2 * 3/2014 Fukuda G07G 1/0018
 235/2
 D730,355 S * 5/2015 Daniel D14/307
 D765,767 S * 9/2016 Yeruva D18/12.2
 D768,766 S * 10/2016 Demange D18/4.4
 2001/0039533 A1 * 11/2001 Pare, Jr. G01F 19/005
 705/39
 2008/0135617 A1 * 6/2008 Aviv G06K 7/0091
 235/449
 2012/0018288 A1 * 1/2012 Rollet G06F 21/86
 200/5 A
 2013/0225075 A1 * 8/2013 Schmid G07G 1/12
 455/41.1
 2016/0111232 A1 * 4/2016 Wolfe G07F 19/2055
 200/5 A
 2016/0133103 A1 * 5/2016 Kanomata G07G 1/0018
 705/16
 2017/0046678 A1 * 2/2017 Demir G07G 1/0018
 2017/0061746 A1 * 3/2017 Tanaka G07G 1/0018
 2017/0098104 A1 * 4/2017 Matsumoto G06F 21/86
 2017/0140179 A1 * 5/2017 Neo G06K 7/0008

* cited by examiner

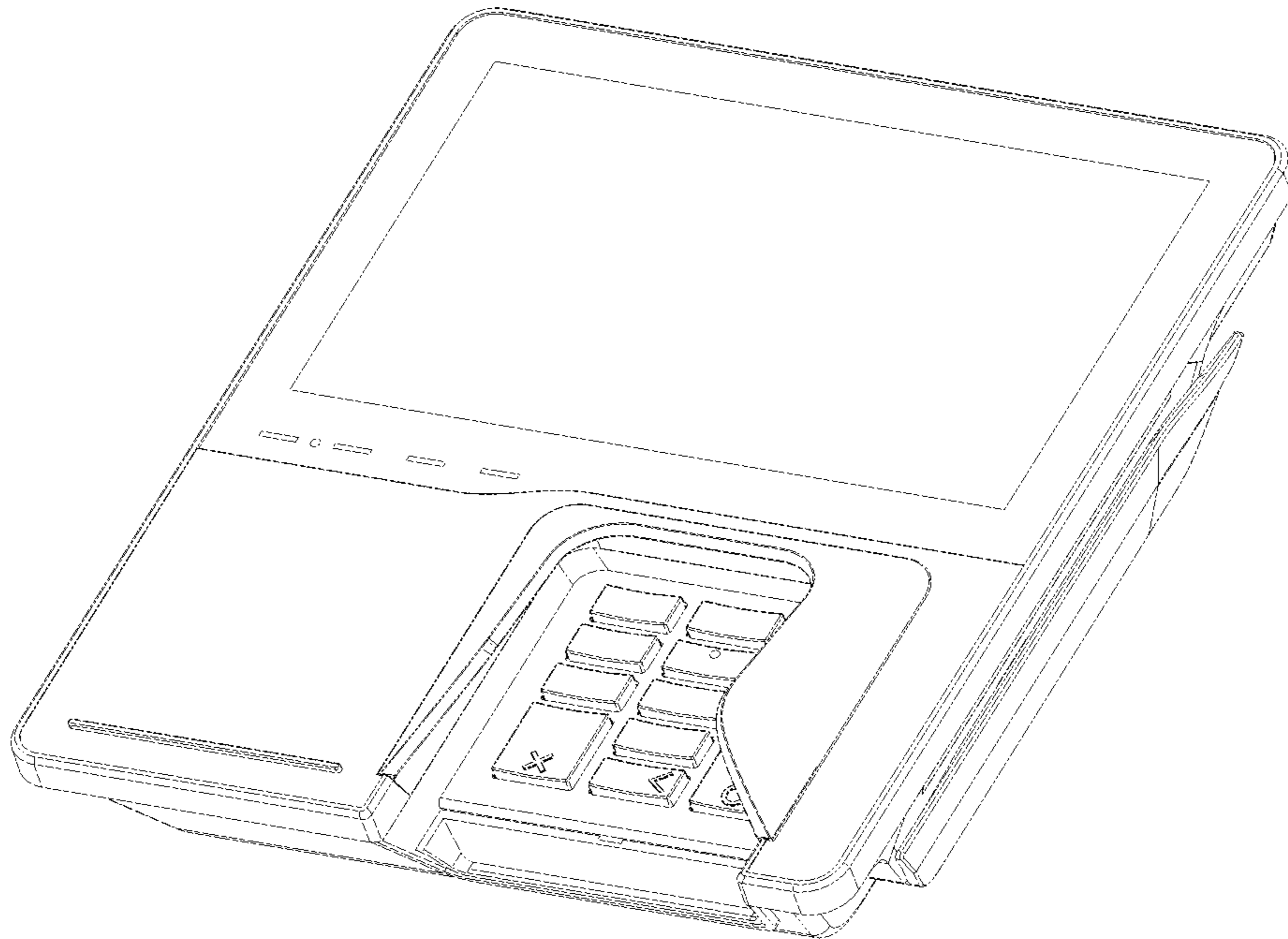


FIG.1

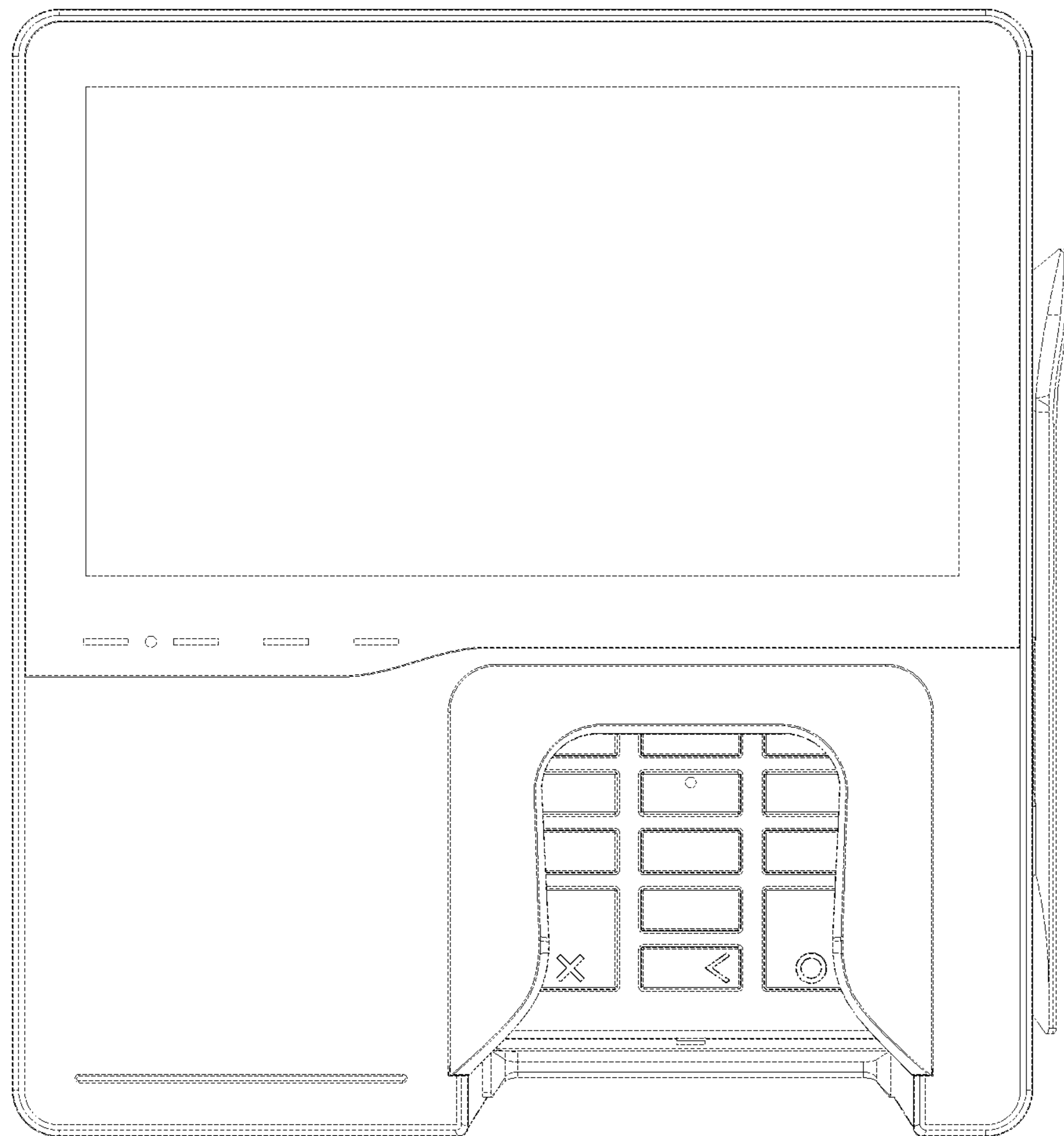


FIG. 2

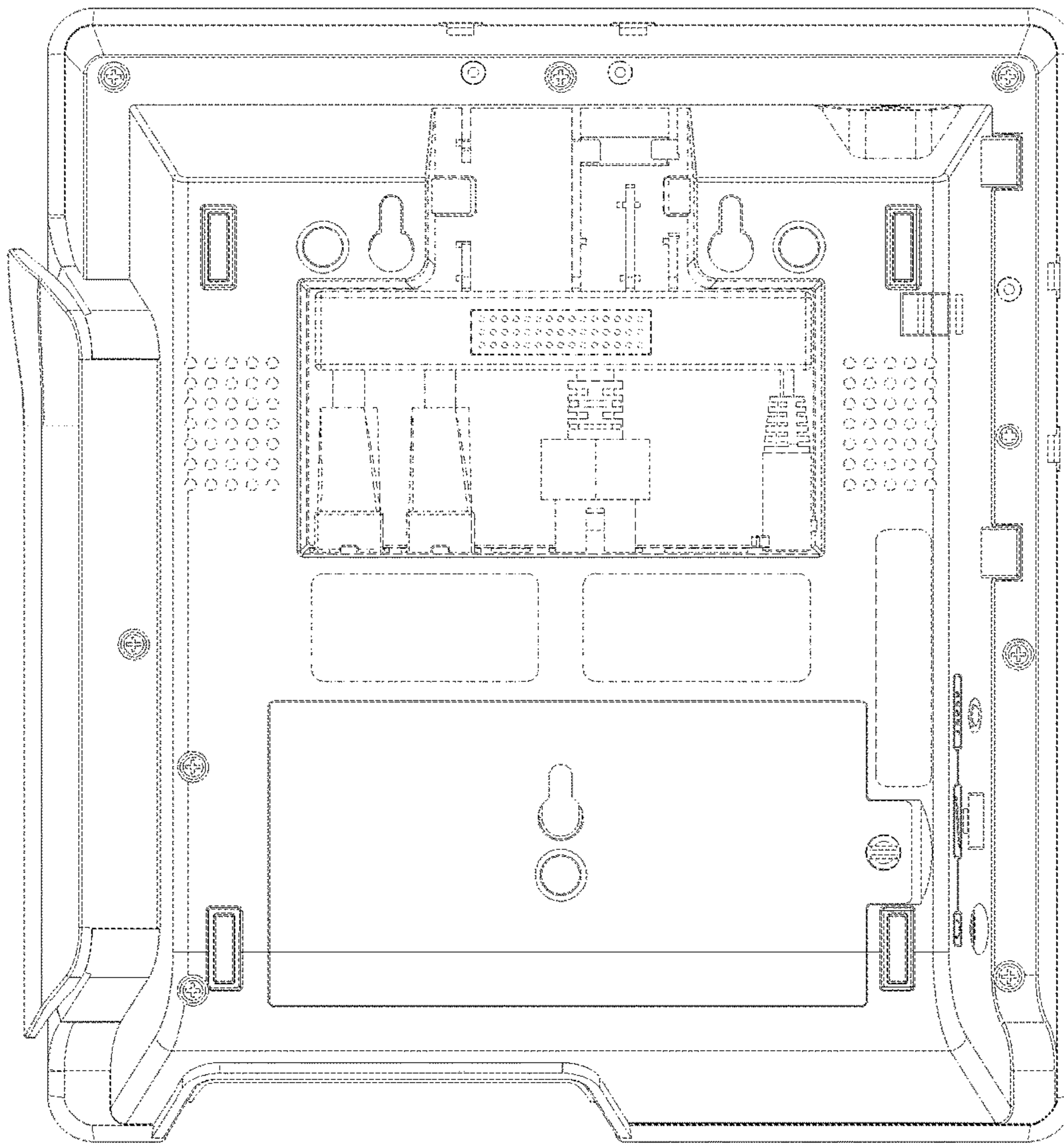


FIG. 3

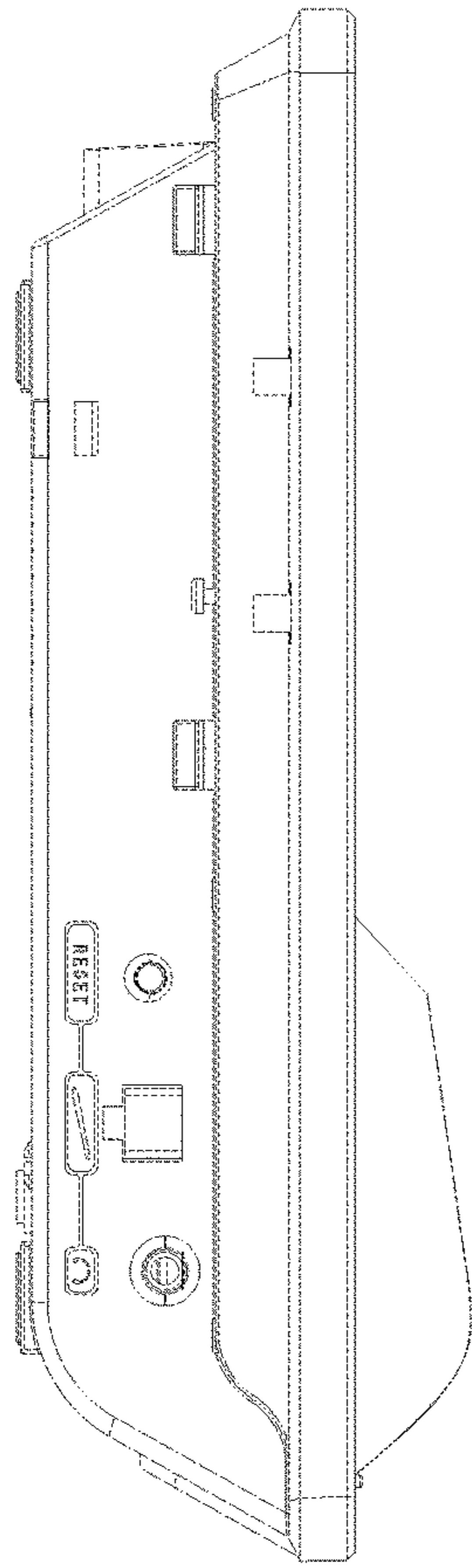


FIG. 4

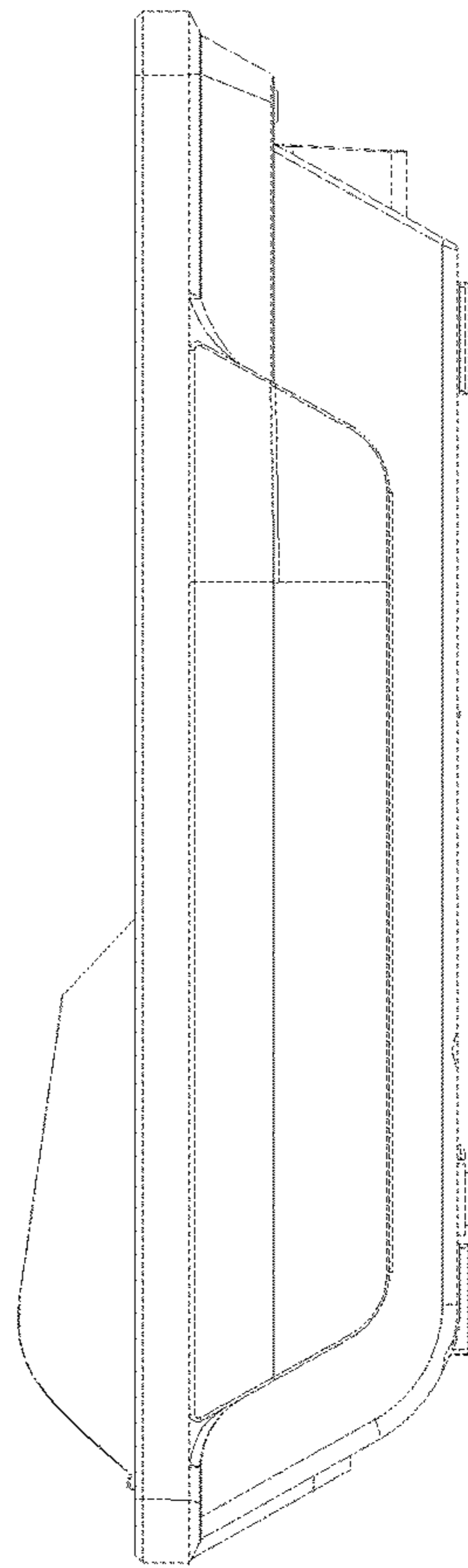


FIG. 5

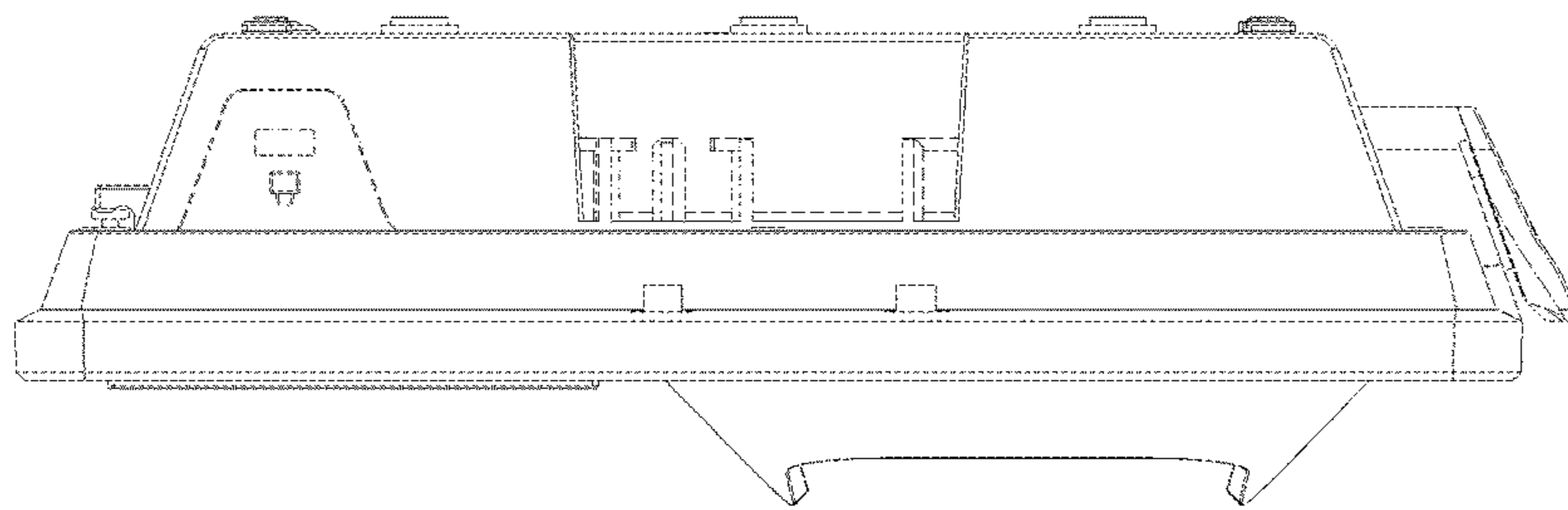


FIG. 6

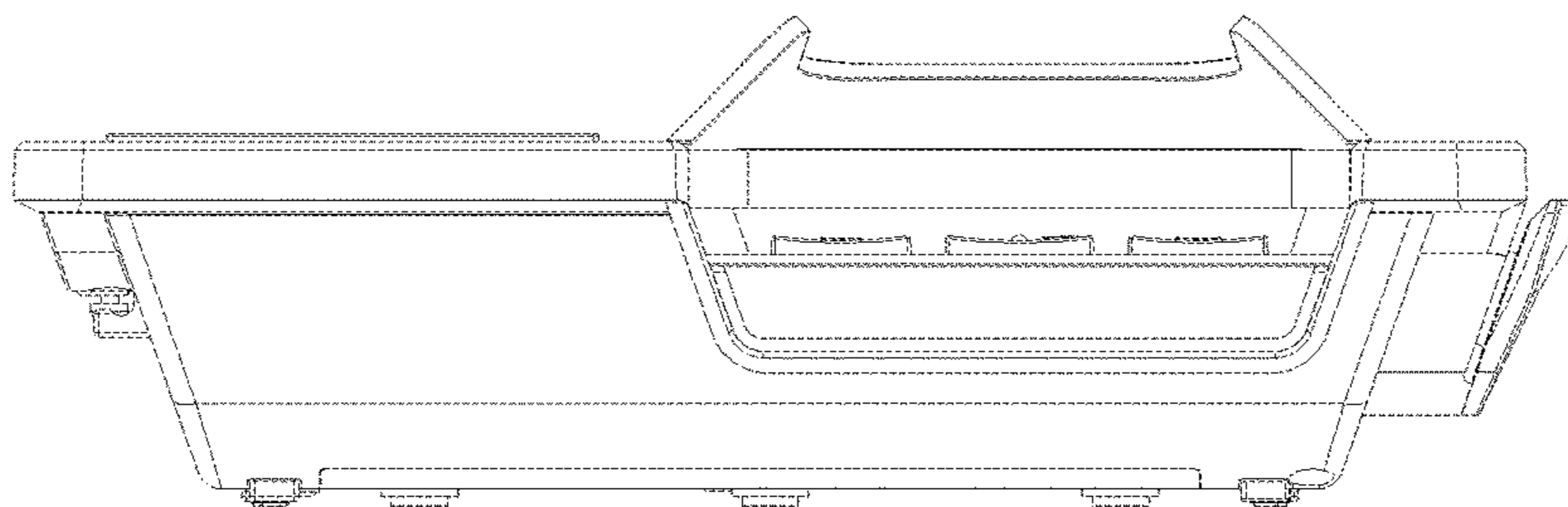


FIG. 7

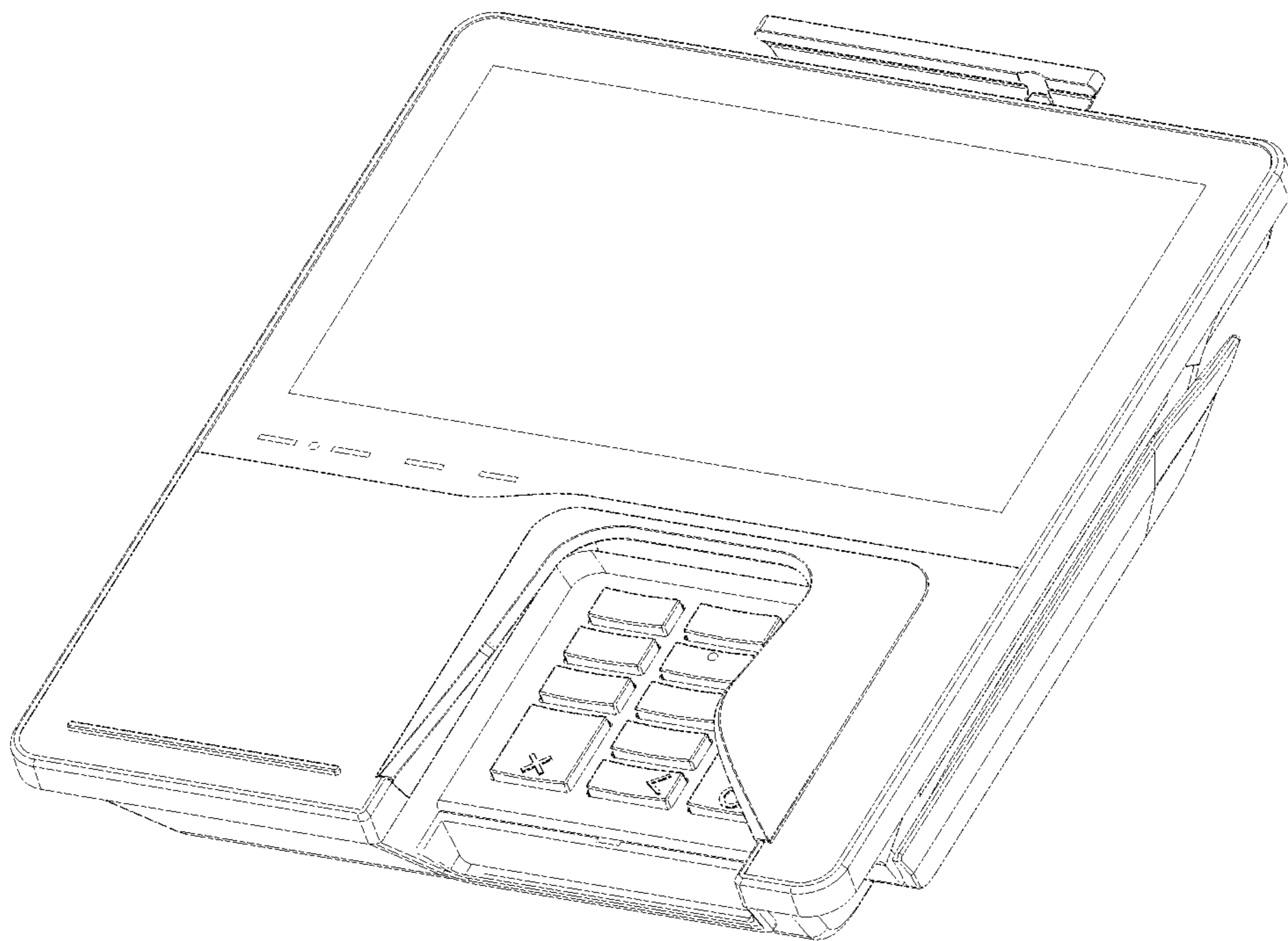


FIG.8

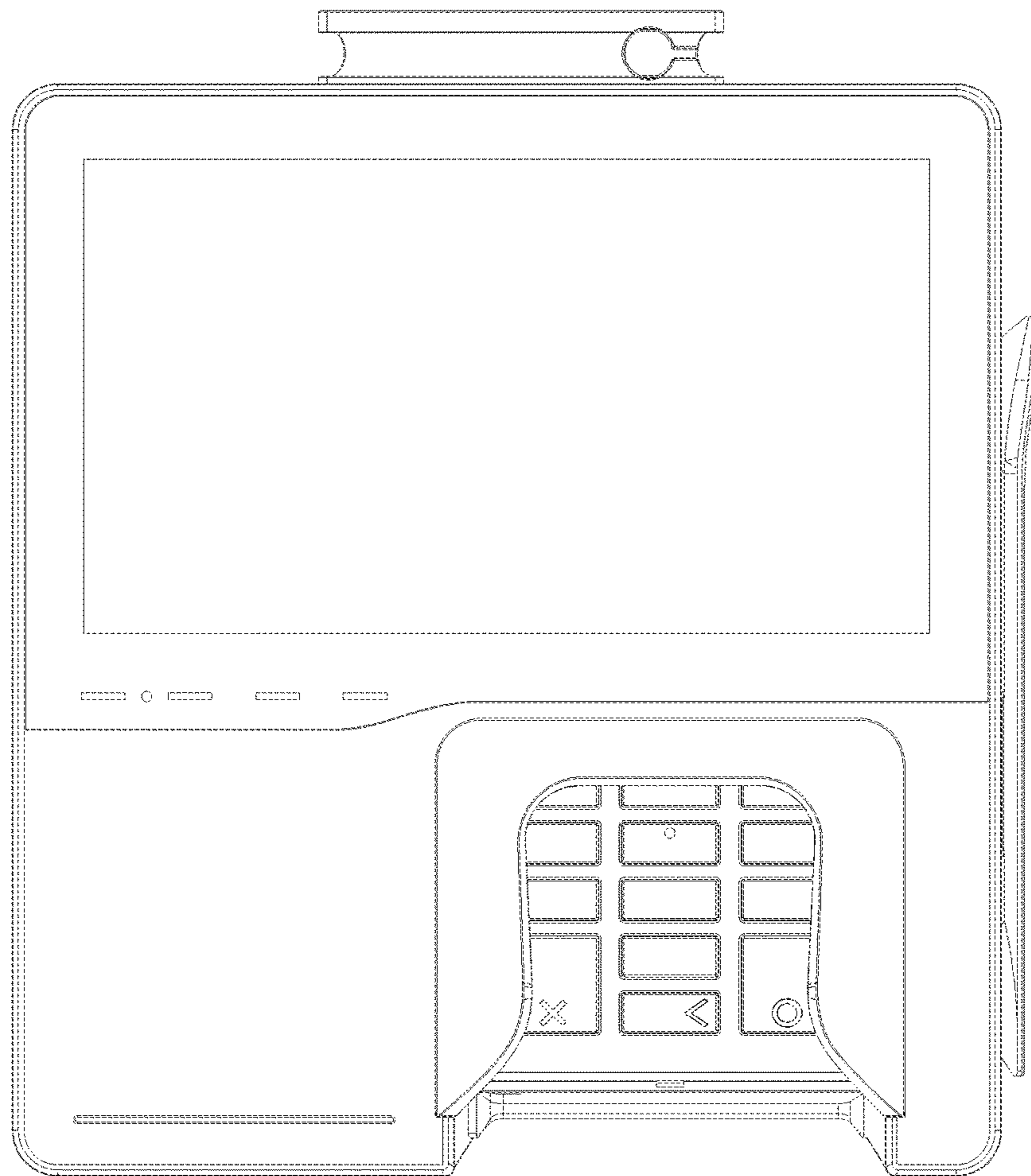


FIG. 9

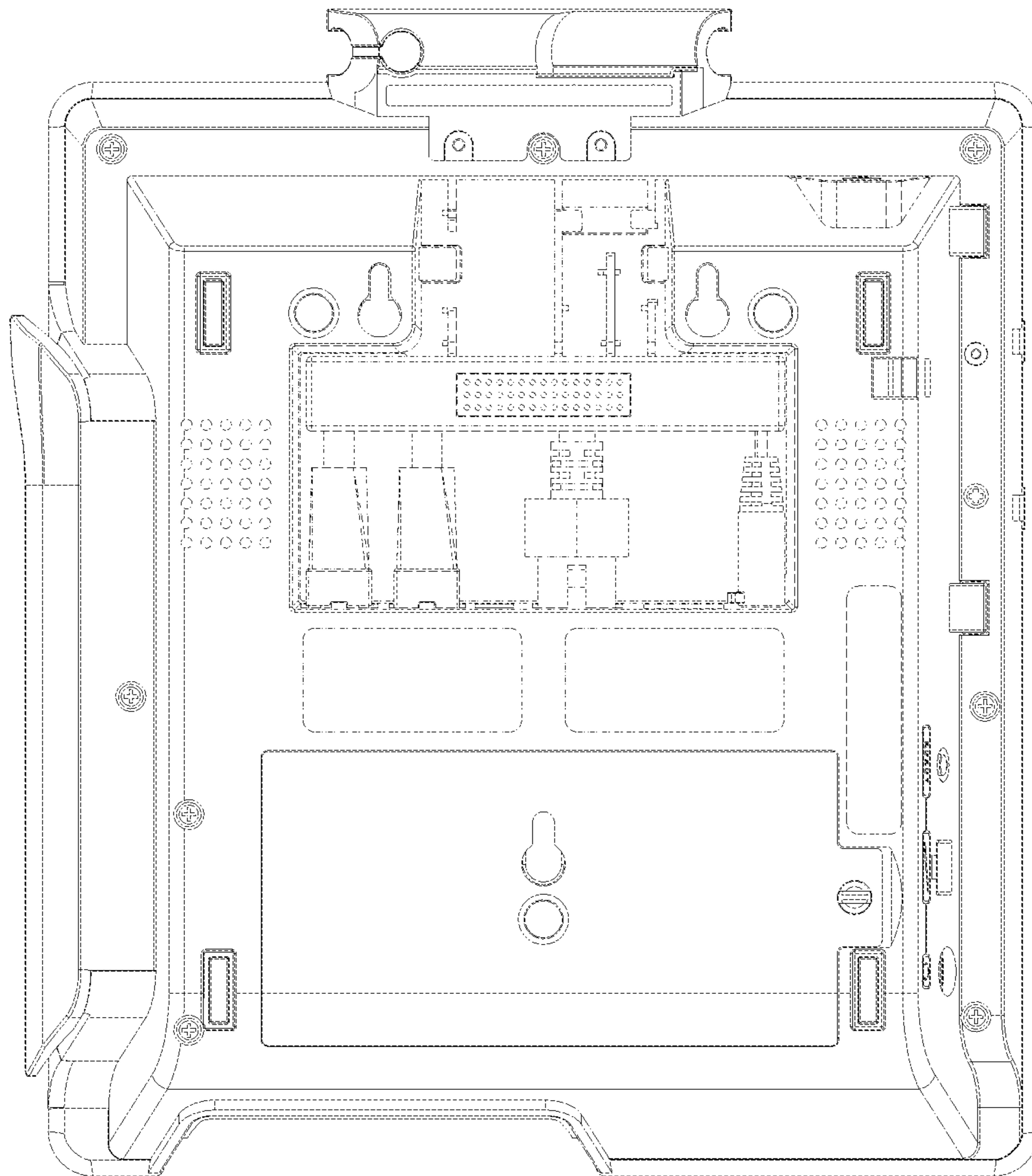


FIG.10

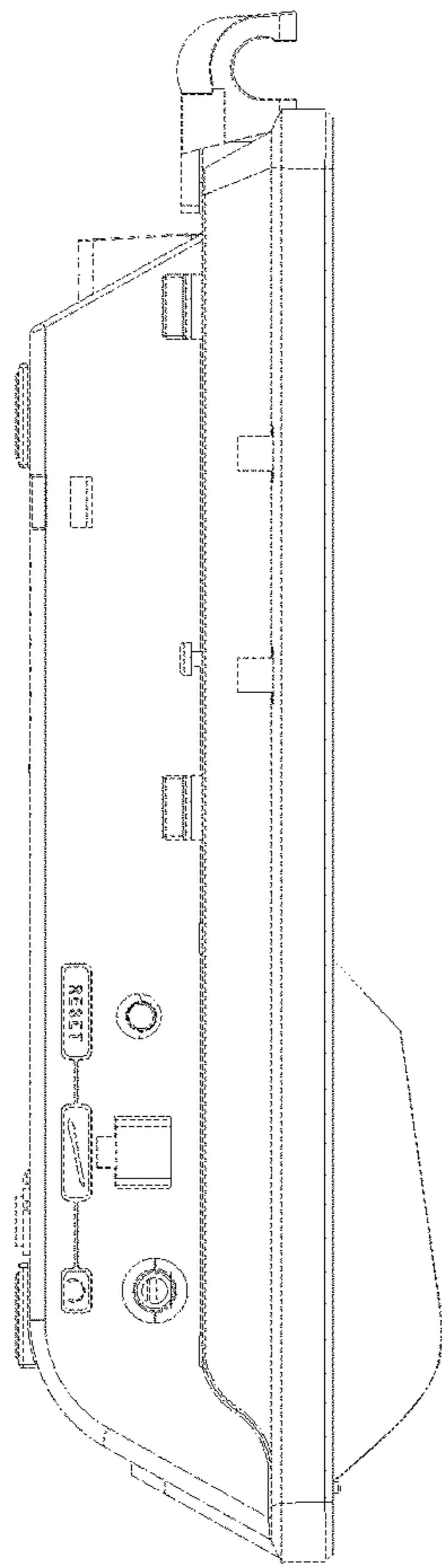


FIG. 11

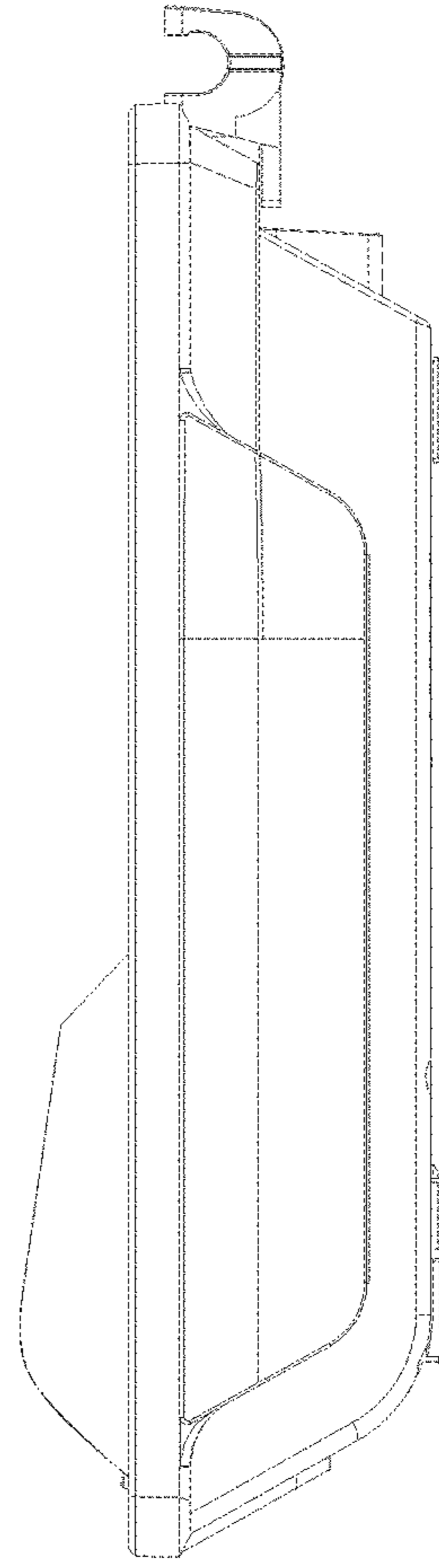


FIG. 12

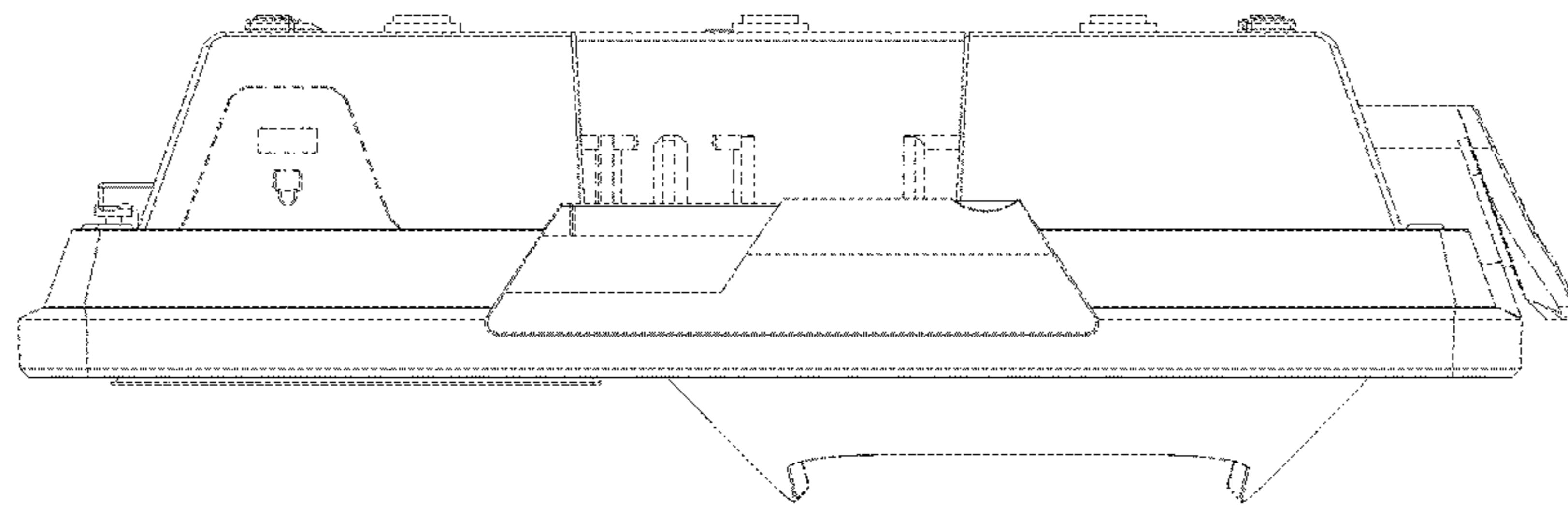


FIG. 13

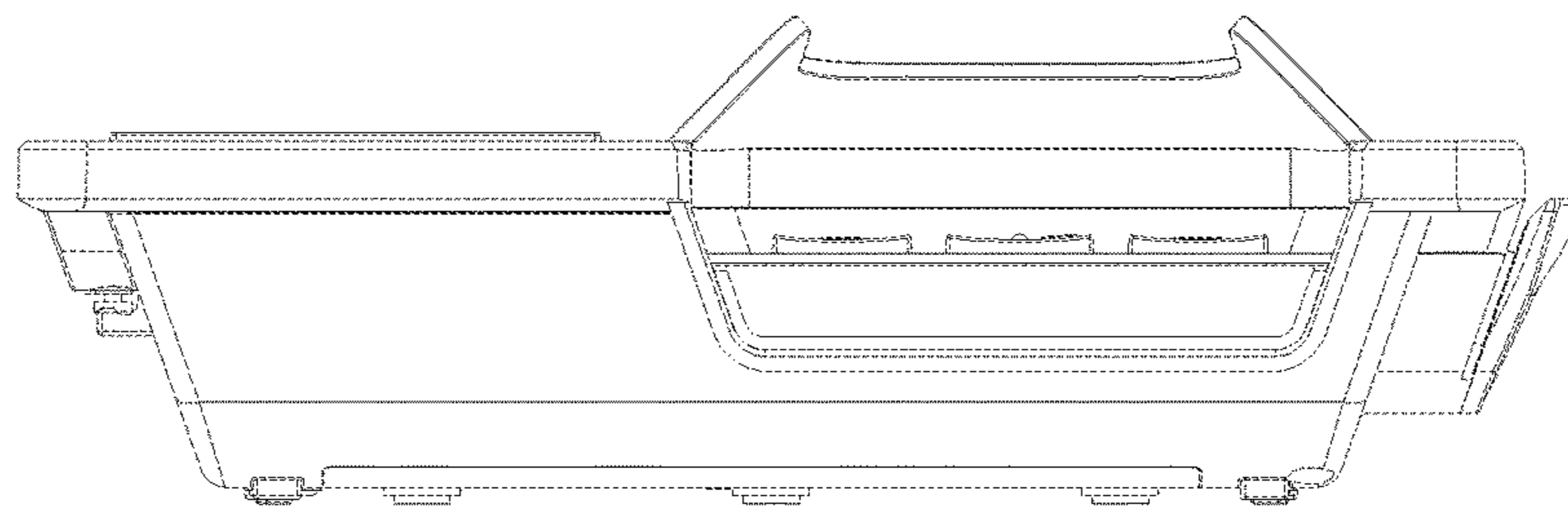


FIG. 14

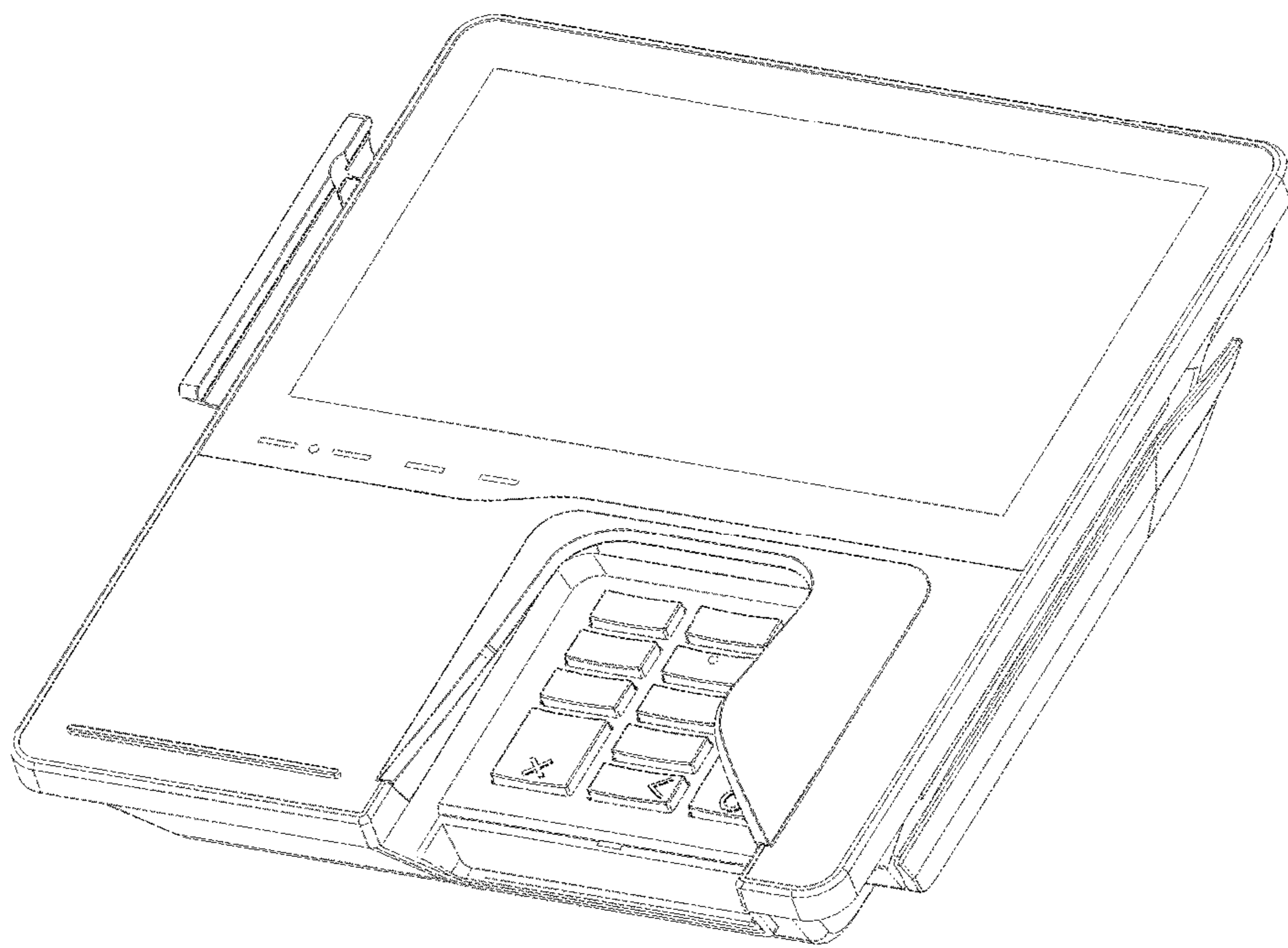


FIG.15

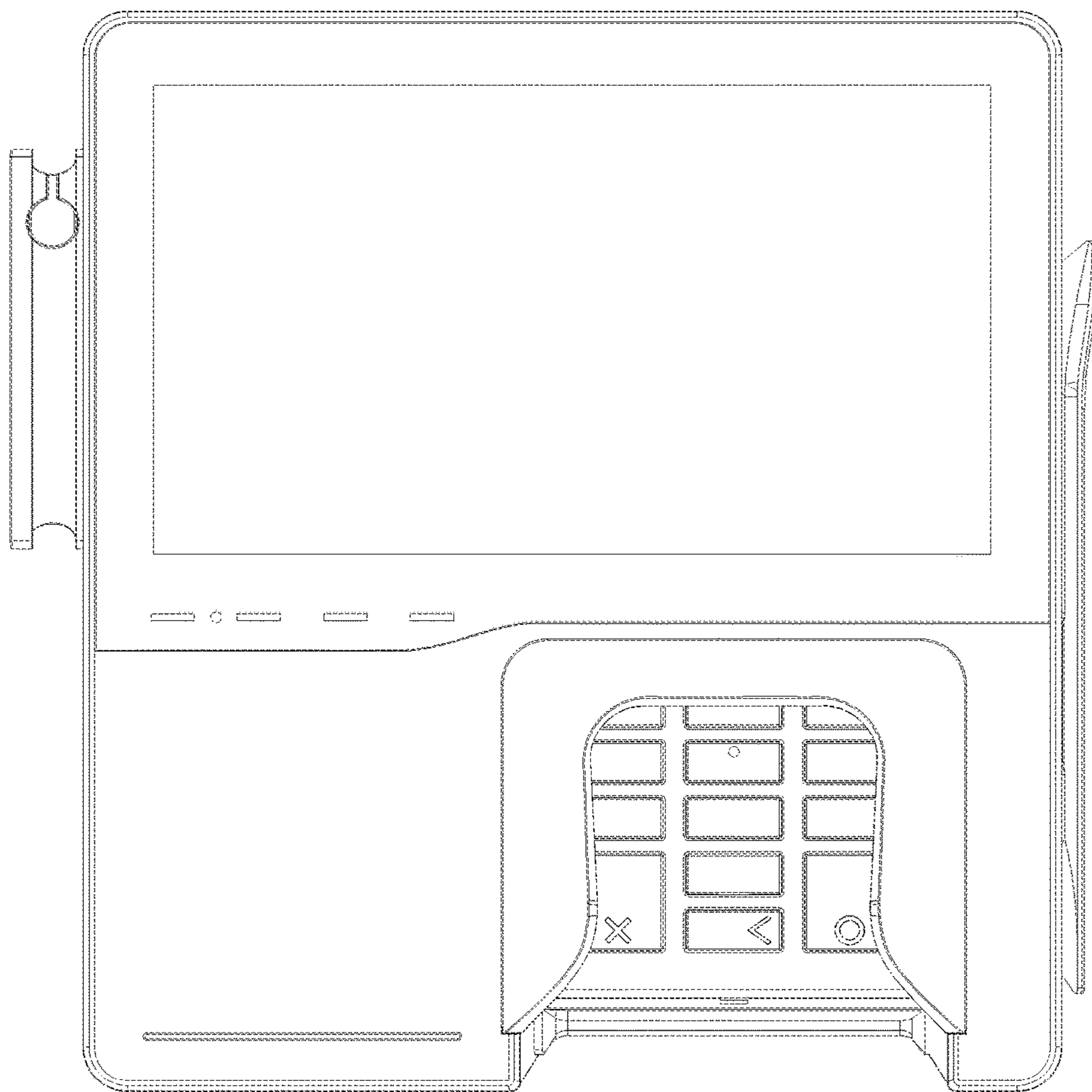


FIG. 16

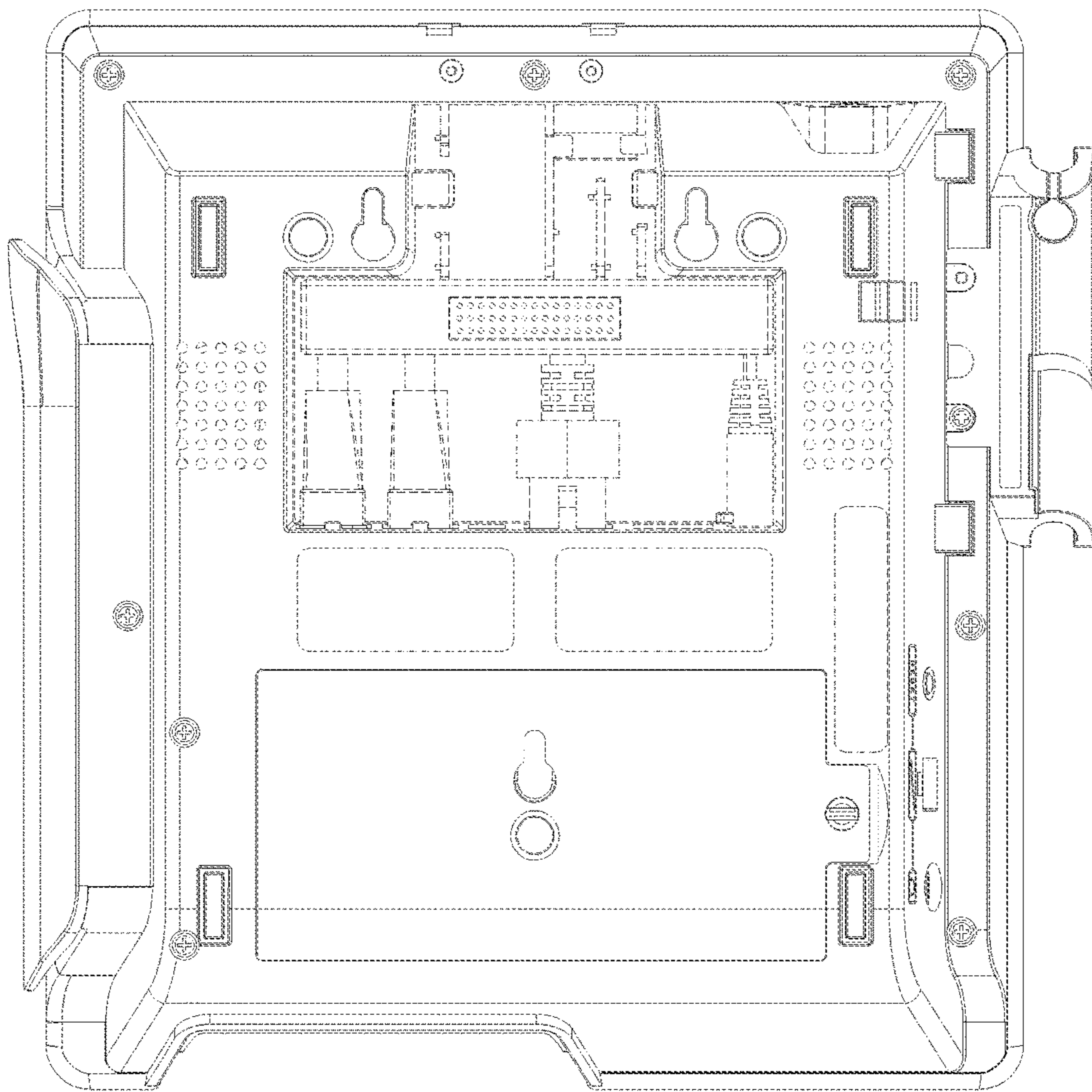


FIG.17

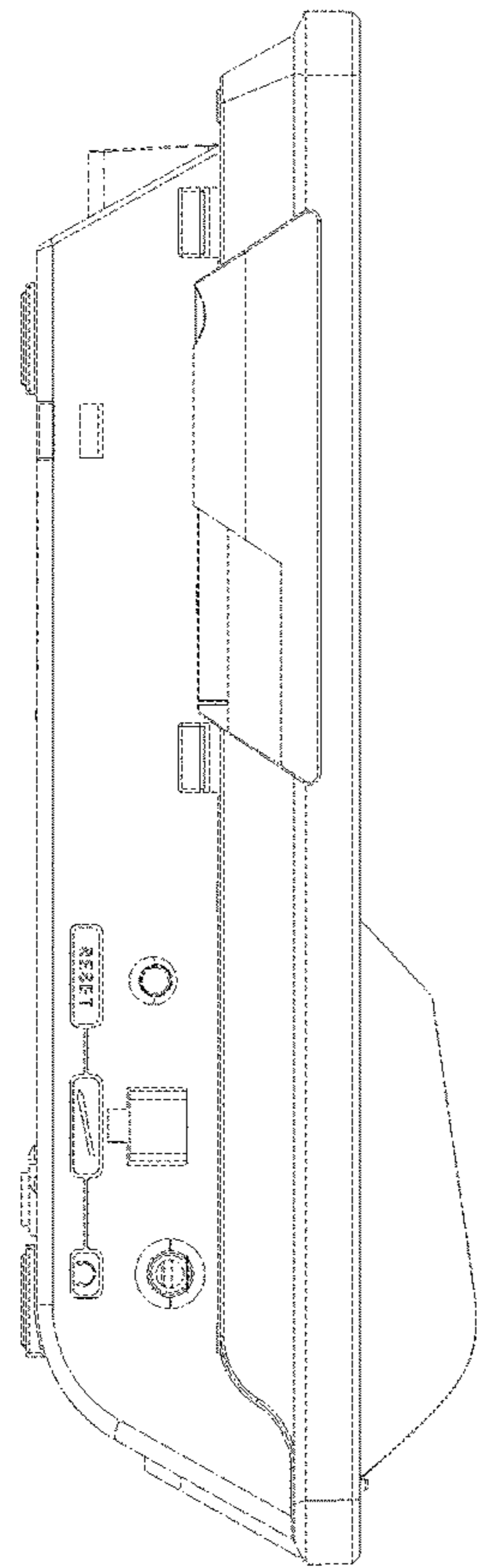


FIG. 18

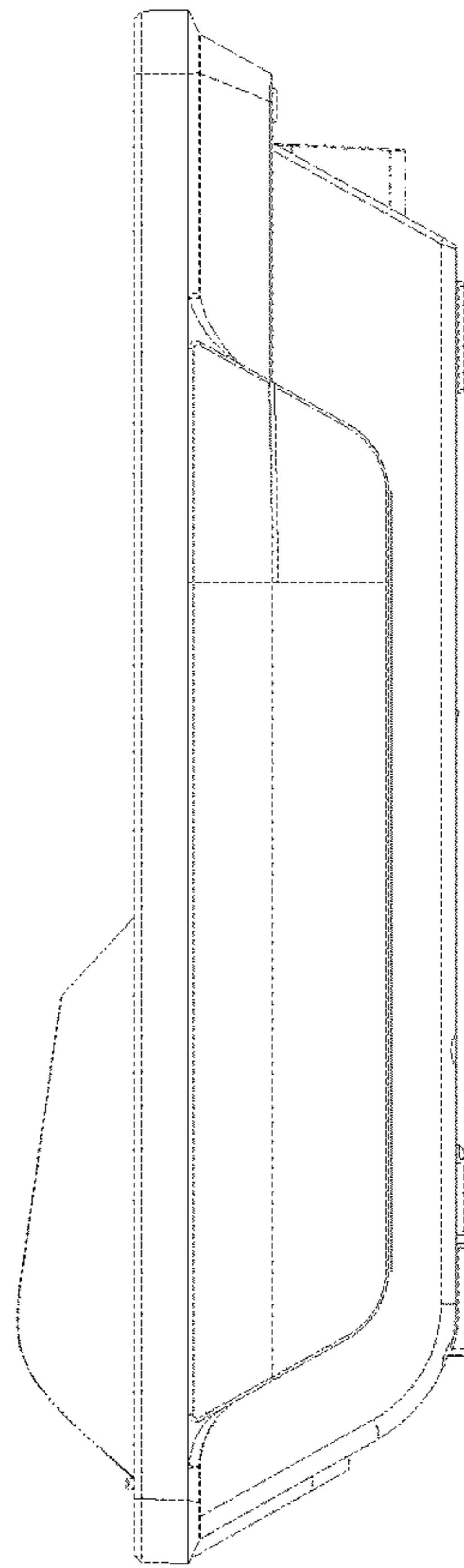


FIG. 19

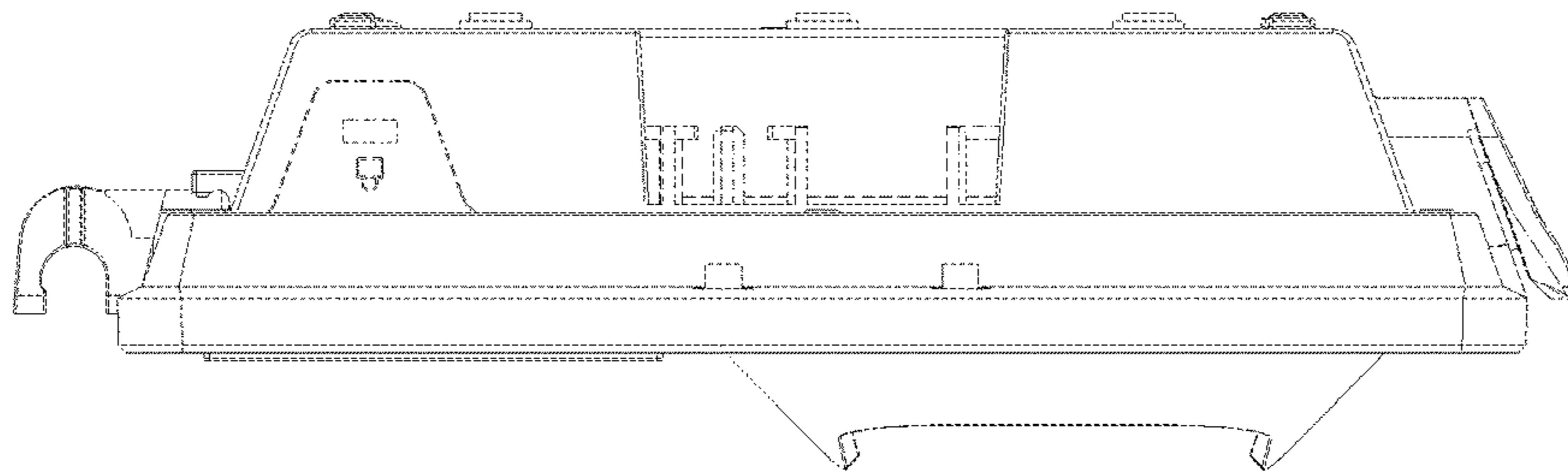


FIG. 20

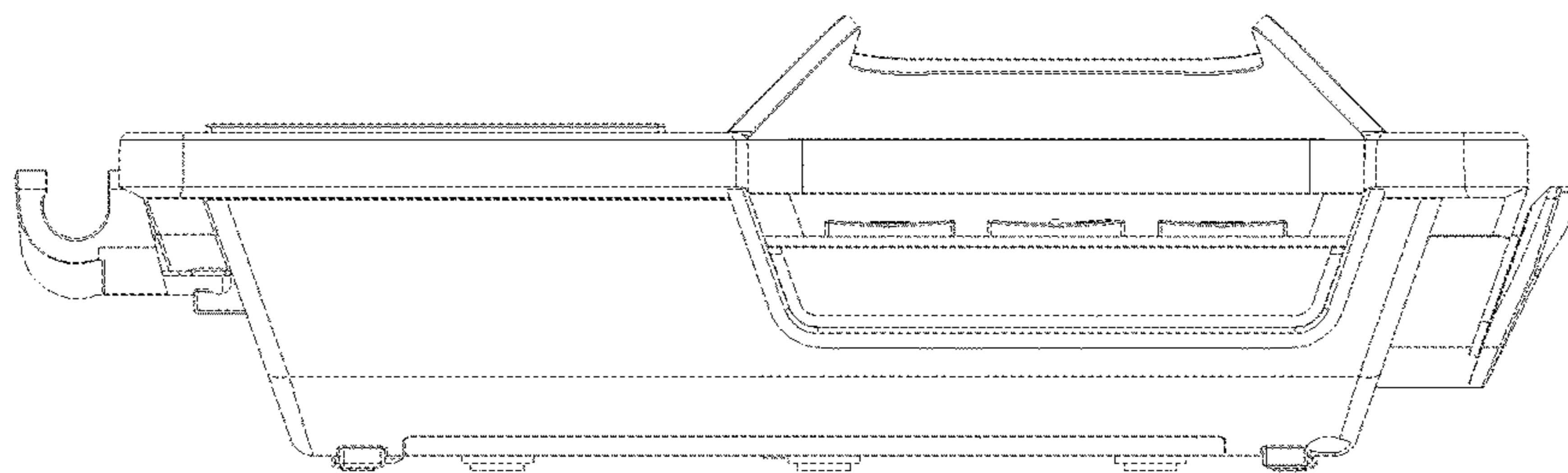


FIG. 21

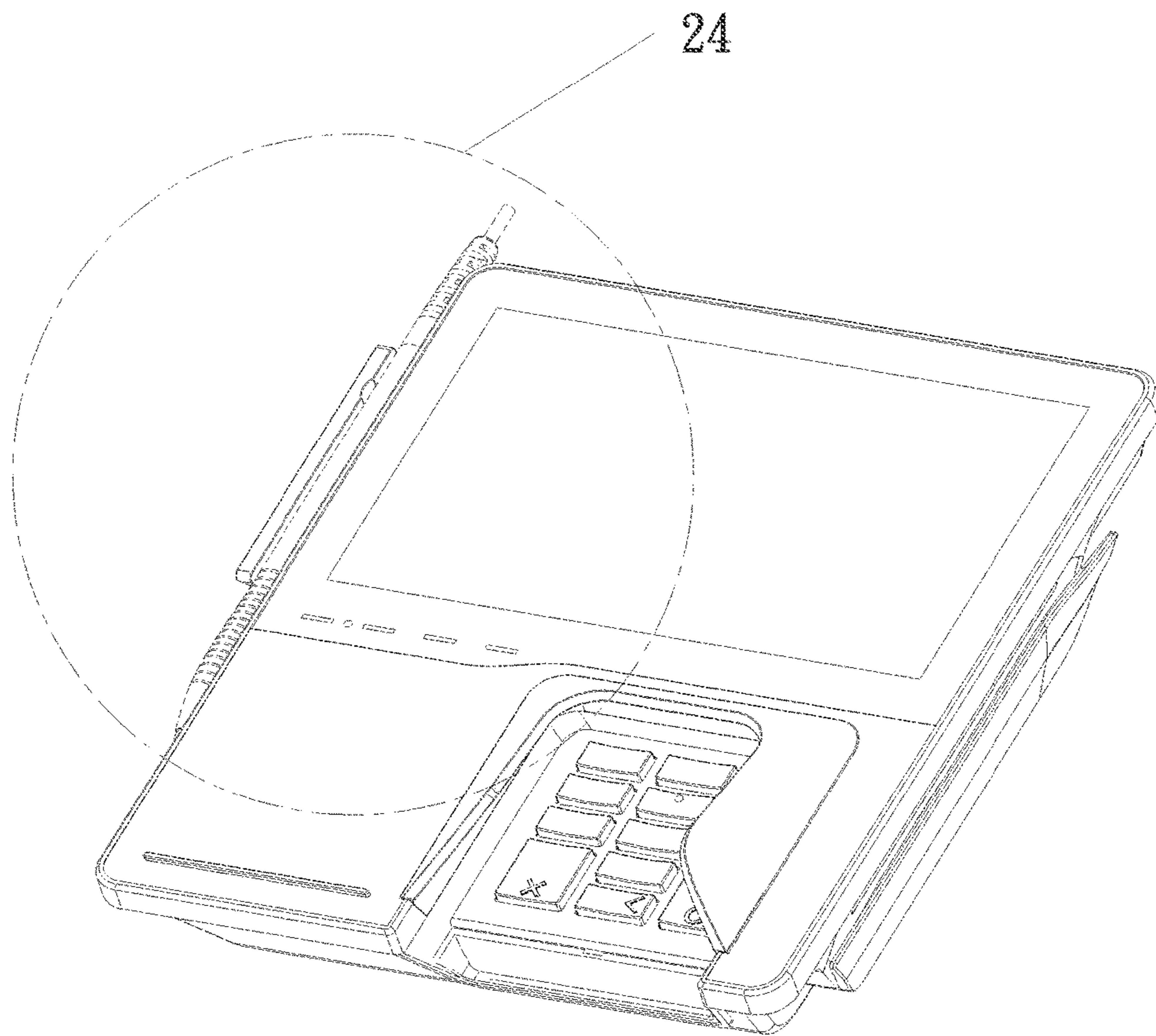


FIG.22

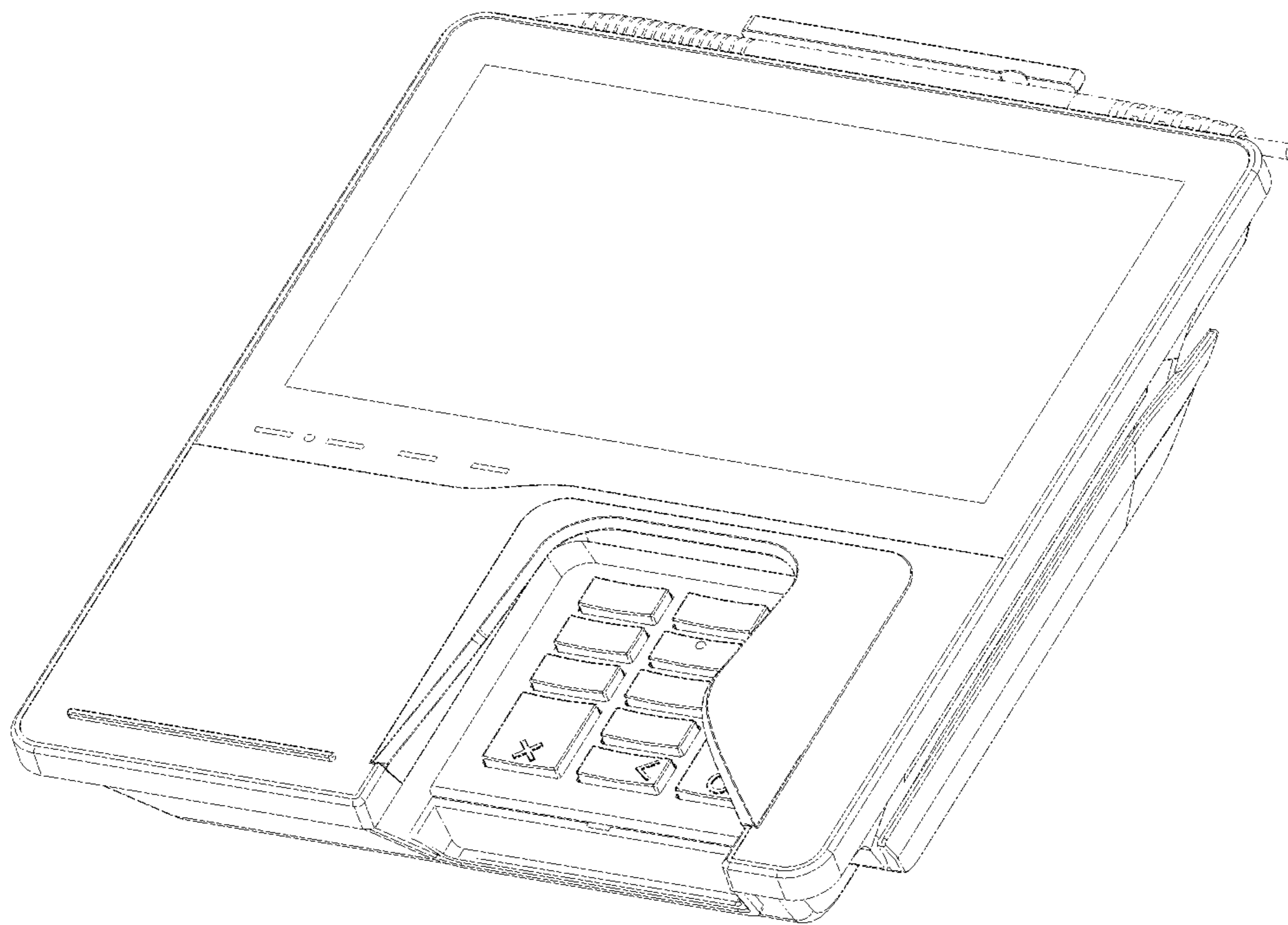


FIG.23

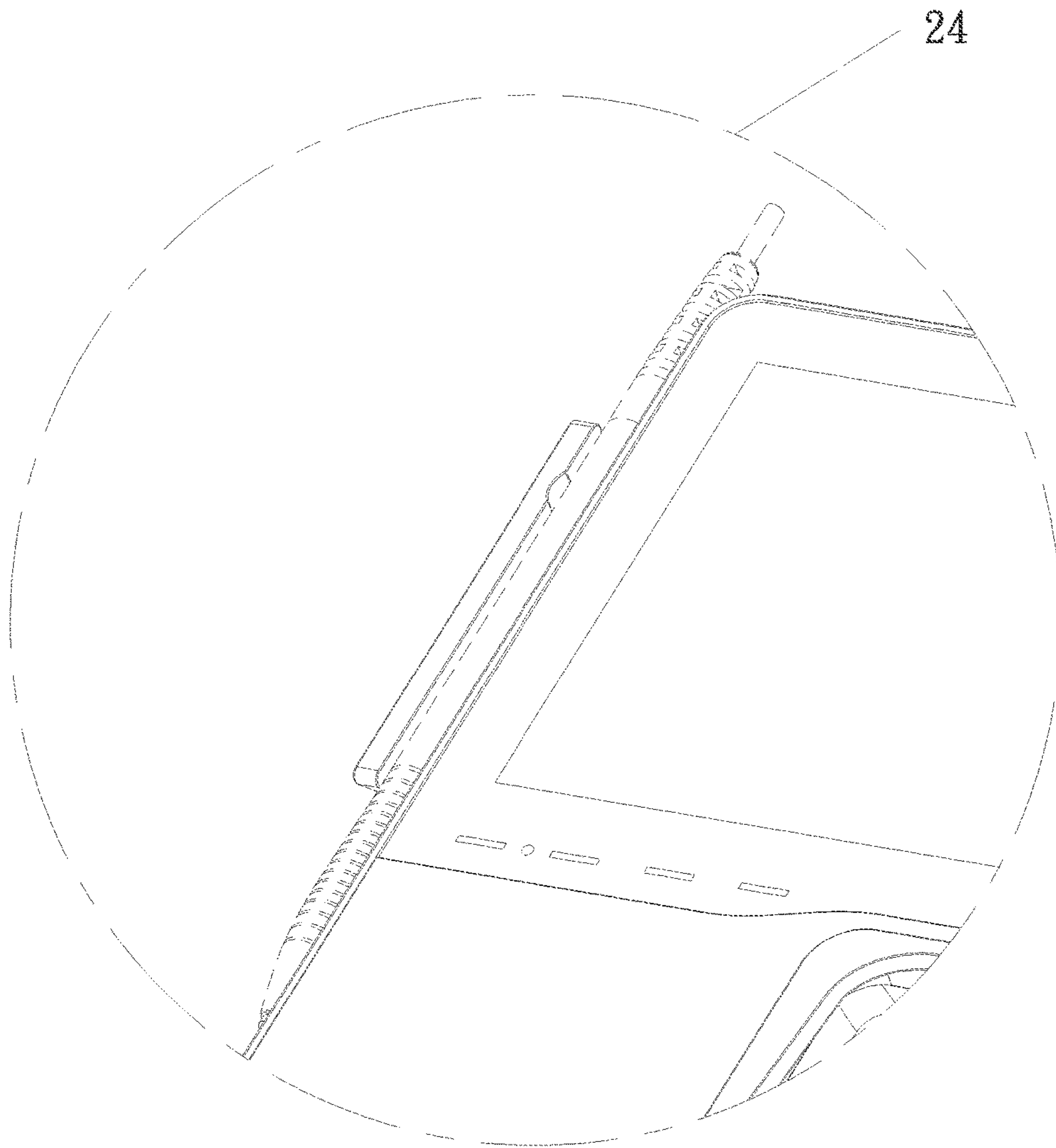


FIG.24