



US00D810816S

(12) **United States Design Patent** (10) **Patent No.:** **US D810,816 S**
Chen (45) **Date of Patent:** **** Feb. 20, 2018**

(54) **ELECTRONIC DEVICE**
(71) Applicant: **Square, Inc.**, San Francisco, CA (US)
(72) Inventor: **Yenliang Chen**, San Francisco, CA (US)
(73) Assignee: **Square, Inc.**, San Francisco, CA (US)
(**) Term: **15 Years**
(21) Appl. No.: **29/582,668**
(22) Filed: **Oct. 28, 2016**
(51) **LOC (11) Cl.** **18-01**
(52) **U.S. Cl.**
USPC **D18/4.4; D14/385; D14/336**
(58) **Field of Classification Search**
USPC D18/4.4, 4.5, 4.6, 2, 4.1, 4.3, 12, 12.1, D18/99; D14/300, 301, 302, 307, D14/333-340, 371, 375, 376, 496, 129, D14/130
CPC G06Q 20/00; G06Q 20/08; G06Q 20/20; G06Q 20/40; G06Q 20/204; G06Q 20/341; G07F 7/0873; G07F 7/088; G07G 1/0009; G07G 1/0018; G07G 1/0036; G07G 1/14
See application file for complete search history.

(56) **References Cited**
U.S. PATENT DOCUMENTS
D284,084 S 6/1986 Ferrara, Jr.
D289,291 S 4/1987 Kapper
D321,172 S 10/1991 Moore, IV et al.
D326,847 S * 6/1992 Savio D14/375
D338,876 S 8/1993 Nair et al.
D340,919 S 11/1993 Lee
D342,239 S 12/1993 Hermann
D348,449 S 7/1994 Rodd et al.
D390,836 S 2/1998 Takahashi
D423,470 S 4/2000 Neifer et al.
D424,098 S * 5/2000 Kim D14/375

D496,658 S 9/2004 Koloski et al.
D501,208 S 1/2005 Ozolins et al.
D501,853 S 2/2005 Koloski et al.
D508,245 S 8/2005 Ozolins et al.
D525,282 S * 7/2006 Barnes D18/4.5
D526,002 S * 8/2006 Nakajima D18/4.5
D535,994 S 1/2007 Leibenguth
(Continued)

OTHER PUBLICATIONS

Sales Terminals. (Design—© Questel). orbit.com.[online PDF] 32 pgs. Print Dates range Feb. 27, 1995 through Feb. 22, 2017. [Retrieved on Oct. 12, 2017] <https://sobjprd.questel.fr/export/QPTUJ214/pdf2/c5db0b62-727b-4859-90a4-31e876dab4e0-144030.pdf>.*

(Continued)

Primary Examiner — Susan Bennet Hattan
Assistant Examiner — Marie D. Fast Horse
(74) *Attorney, Agent, or Firm* — Lee & Hayes, PLLC

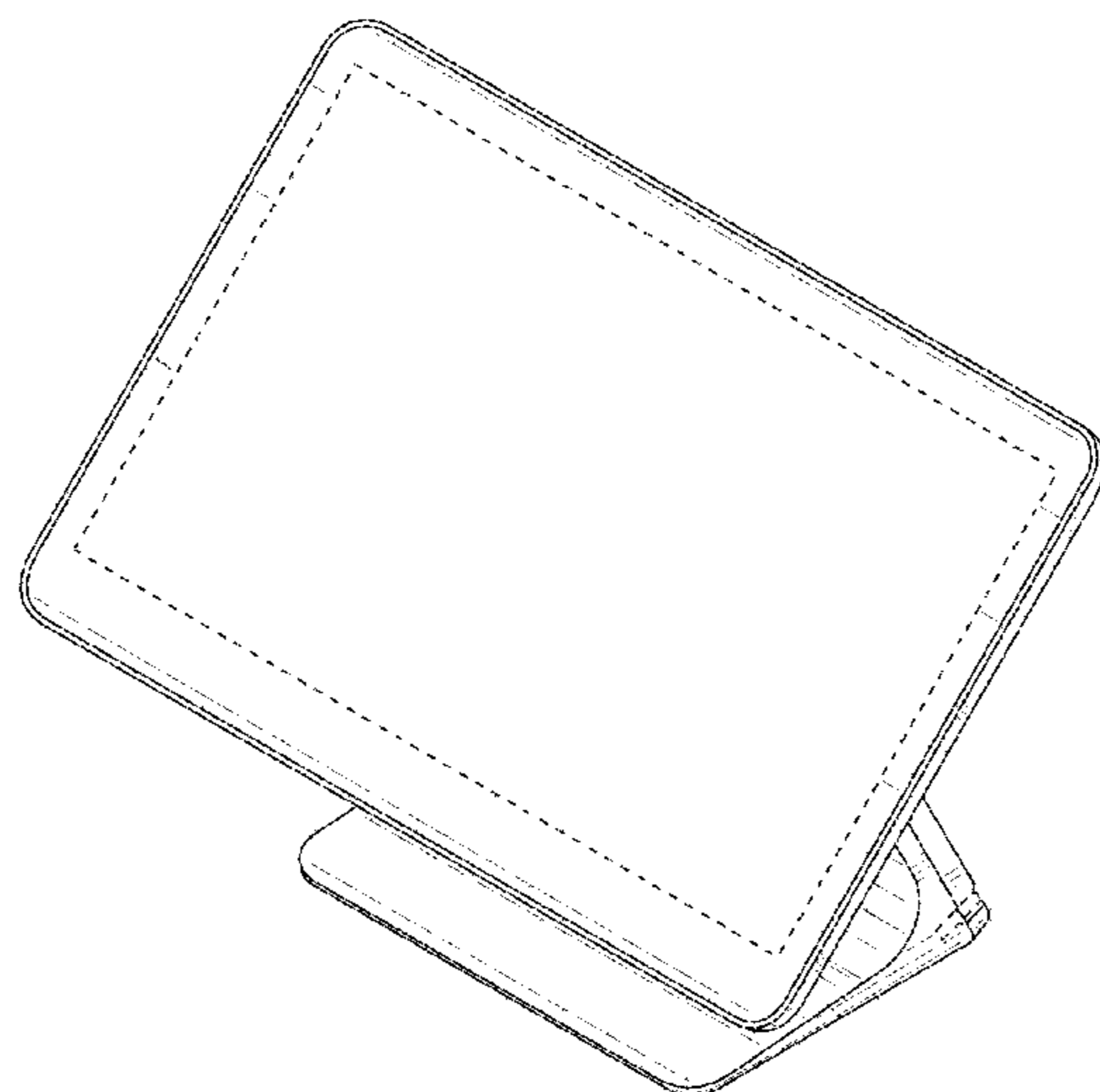
(57) **CLAIM**

The ornamental design for an electronic device, as shown and described.

DESCRIPTION

FIG. 1 is a first perspective view of an electronic device, taken from the front.
FIG. 2 is a second perspective view of the electronic device, taken from the back.
FIG. 3 is a front view of the electronic device of FIG. 1.
FIG. 4 is a back view of the electronic device of FIG. 1.
FIG. 5 is a left-side view of the electronic device of FIG. 1.
FIG. 6 is a right-side view of the electronic device of FIG. 1.
FIG. 7 is a top view of the electronic device of FIG. 1; and, FIG. 8 is a bottom view of the electronic device of FIG. 1. The broken lines represent features of the electronic device which form no part of the claimed design.

1 Claim, 8 Drawing Sheets



(56)

References Cited

U.S. PATENT DOCUMENTS

D536,726 S *	2/2007	Ono	D18/4.5	RE45,816 E *	12/2015	Andre	D14/375
D539,797 S *	4/2007	Chiang	D14/337	D744,479 S *	12/2015	Haller	D14/336
D542,791 S	5/2007	Fitch et al.		D746,902 S *	1/2016	Lyons	D18/4.5
D544,903 S	6/2007	Henry et al.		D747,763 S *	1/2016	Haller	D18/4.5
D547,361 S	7/2007	Henry		D748,630 S	2/2016	Helwig et al.	
D554,640 S	11/2007	Ponnert et al.		D752,587 S *	3/2016	Gong	D14/375
7,433,185 B1 *	10/2008	Curran	F16M 11/22 361/679.41	9,323,961 B2	4/2016	Azuma	
D580,383 S *	11/2008	Kuramashi	D14/126	D755,783 S *	5/2016	Shi	D14/336
D592,658 S *	5/2009	Sugiyama	D14/336	D761,260 S	7/2016	Luo	
D594,055 S *	6/2009	Hagiwara	D18/4.5	D761,350 S *	7/2016	Beatty	D18/12
D601,585 S	10/2009	Andre et al.		D761,899 S *	7/2016	Beatty	D18/4.6
D613,283 S	4/2010	Andre et al.		D762,258 S *	7/2016	Jenkins	D18/4.5
D615,120 S *	5/2010	Ono	D18/4.5	D762,766 S	8/2016	Bedier et al.	
D615,583 S *	5/2010	Ono	D18/4.5	D763,255 S *	8/2016	Lee	D14/371
D624,115 S	9/2010	Ausems et al.		D763,346 S *	8/2016	Jenkins	D18/4.5
D628,576 S	12/2010	Daniel		D764,419 S	8/2016	Kashimoto	
D631,042 S *	1/2011	Chen	D14/337	D764,458 S	8/2016	Jobetto et al.	
D638,012 S	5/2011	Tian et al.		D767,508 S	9/2016	Dimberg et al.	
D648,336 S *	11/2011	Yagi	D14/374	D770,449 S	11/2016	Bae et al.	
D648,373 S	11/2011	Hidaka		D770,450 S	11/2016	Bae et al.	
D657,791 S *	4/2012	Kim	D14/374	D771,628 S	11/2016	Bae et al.	
D661,305 S *	6/2012	Andre	D14/374	D772,335 S *	11/2016	Mantrawadi	D18/4.6
D664,144 S	7/2012	Akana et al.		D772,864 S	11/2016	Musch et al.	
D665,383 S	8/2012	McManigal et al.		D773,455 S	12/2016	Lee et al.	
D672,386 S	12/2012	Matunuma et al.		D777,683 S	1/2017	Kashimoto	
D673,952 S	1/2013	Toda et al.		D778,982 S *	2/2017	Beatty	D18/4.5
D675,617 S	2/2013	Daniel		D779,459 S	2/2017	Schlossberg et al.	
D676,900 S	2/2013	Ohno et al.		D784,331 S *	4/2017	Balch	D14/371
D681,036 S	4/2013	Taunay da Graca Couto		D787,510 S	5/2017	Kitade	
D682,273 S	5/2013	Taunay da Graca Cuoto		9,659,466 B1 *	5/2017	Chen	G07G 1/0018
D682,830 S	5/2013	Taunay da Graca Couto		D790,536 S	6/2017	Kitade	
D684,574 S	6/2013	Taunay da Graca Couto		9,678,846 B2 *	6/2017	Lam	G06F 11/30
D684,944 S *	6/2013	Seong	D14/126	D791,860 S *	7/2017	Greaves	D18/4.5
D687,036 S *	7/2013	Seong	D14/374	D794,580 S	8/2017	Dimberg et al.	
D687,484 S *	8/2013	Eun	D18/4.6	D795,869 S	8/2017	Templeton	
D687,832 S *	8/2013	Edwards	D14/447	D797,106 S	9/2017	Paolizzi et al.	
D689,921 S	9/2013	Branck et al.		D797,739 S	9/2017	Templeton	
D691,141 S	10/2013	Cruz		D797,740 S	9/2017	Nguyen	
D691,604 S *	10/2013	Seong	D14/374	D798,378 S *	9/2017	Kim	D18/4.6
D691,998 S *	10/2013	Seo	D14/374	2006/0198097 A1 *	9/2006	Kuwajima	H04N 5/775 361/679.21
D692,885 S	11/2013	Cruz		2008/0291615 A1 *	11/2008	Sakata	F16M 11/10 361/679.05
D693,607 S *	11/2013	Johnson	D6/672	2009/0316343 A1	12/2009	Tang	
D698,384 S	1/2014	Cruz		2010/0043503 A1	2/2010	Yao	
D703,631 S *	4/2014	Hallar	D14/126	2012/0145787 A1 *	6/2012	Lin	G07F 7/088 235/439
D703,670 S	4/2014	Rotsaert		2013/0155595 A1 *	6/2013	Herring	G07G 1/0018 361/679.21
D706,863 S	6/2014	Branck et al.		2013/0320177 A1 *	12/2013	Chen	F16M 11/10 248/371
D706,864 S *	6/2014	Branck	D18/4.6	2014/0144988 A1 *	5/2014	Chiang	G06F 1/1607 235/449
D707,288 S *	6/2014	Branck	D18/4.6	2014/0236744 A1 *	8/2014	Drew	F16M 11/045 705/17
D707,676 S	6/2014	Azuma		2014/0279116 A1 *	9/2014	Vasquez	G07G 1/0018 705/21
D707,677 S	6/2014	Azuma		2014/0347000 A1	11/2014	Hamann et al.	
D707,685 S *	6/2014	Johnson	D14/447	2015/0001291 A1 *	1/2015	Govindarajan	G06Q 90/00 235/380
D710,358 S	8/2014	Park et al.		2015/0149311 A1 *	5/2015	Ward	G07G 1/0018 705/24
D711,460 S	8/2014	Schwarzkopf et al.		2015/0193753 A1 *	7/2015	Lam	G06F 11/30 705/16
D713,447 S *	9/2014	Balar	D18/4.6	2015/0193754 A1 *	7/2015	Lam	G06Q 20/20 705/16
D716,300 S	10/2014	Cruz et al.		2015/0213416 A1 *	7/2015	Lam	G07G 1/0018 705/305
D716,301 S	10/2014	Almond		2015/0213424 A1 *	7/2015	Lam	G06Q 20/20 705/21
D716,370 S	10/2014	Park et al.		2016/0005274 A1 *	1/2016	Wang	G07G 1/0018 361/679.58
D720,000 S *	12/2014	Lyons	D18/4.5	2016/0051067 A1 *	2/2016	Law	F16M 11/041 361/679.22
D722,985 S	2/2015	Won et al.		2016/0070964 A1 *	3/2016	Conrad	G07G 1/0018 348/150
D723,031 S	2/2015	Rawal		2016/0232508 A1 *	8/2016	Nishiie	G07G 1/0018
D724,040 S *	3/2015	Chan	D14/126	2016/0335037 A1	11/2016	Baranowski et al.	
D725,057 S *	3/2015	Seo	D14/126				
D725,109 S	3/2015	Azuma					
D725,182 S *	3/2015	Haller	D18/11				
D725,699 S *	3/2015	Eun	D18/4.4				
D727,898 S *	4/2015	Yum	D14/374				
D727,902 S	4/2015	Saulnier, III					
D729,244 S	5/2015	Toh et al.					
D729,801 S	5/2015	Daniel					
RE45,547 E *	6/2015	Andre	D14/375				
D732,029 S *	6/2015	Huh	D14/374				
D735,802 S *	8/2015	Lyons	D18/4.5				
D735,805 S *	8/2015	Haller	D18/46				
D743,394 S *	11/2015	Chang	D14/375				

(56)

References Cited

U.S. PATENT DOCUMENTS

2017/0061746 A1 3/2017 Tanaka
2017/0140615 A1* 5/2017 Larnac G07G 1/0018
2017/0278361 A1 9/2017 Fujimoto

OTHER PUBLICATIONS

Examination Report for European Design Applications No. 003877851-0001/003877851-0008, dated May 12, 2017.

Notice of Allowance dated Oct. 31, 2017, for U.S. Appl. No. 29/582,639, of Chen, Y., filed Oct. 28, 2016.

Notice of Allowance dated Oct. 31, 2017, for U.S. Appl. No. 29/582,655, of Chen, Y., filed Oct. 28, 2016.

First Examiner's Report for Canadian Patent Application No. 174469, dated Nov. 1, 2017.

First Examiner's Report for Canadian Patent Application No. 174468, dated Nov. 1, 2017.

First Examiner's Report for Canadian Patent Application No. 174467, dated Nov. 1, 2017.

* cited by examiner

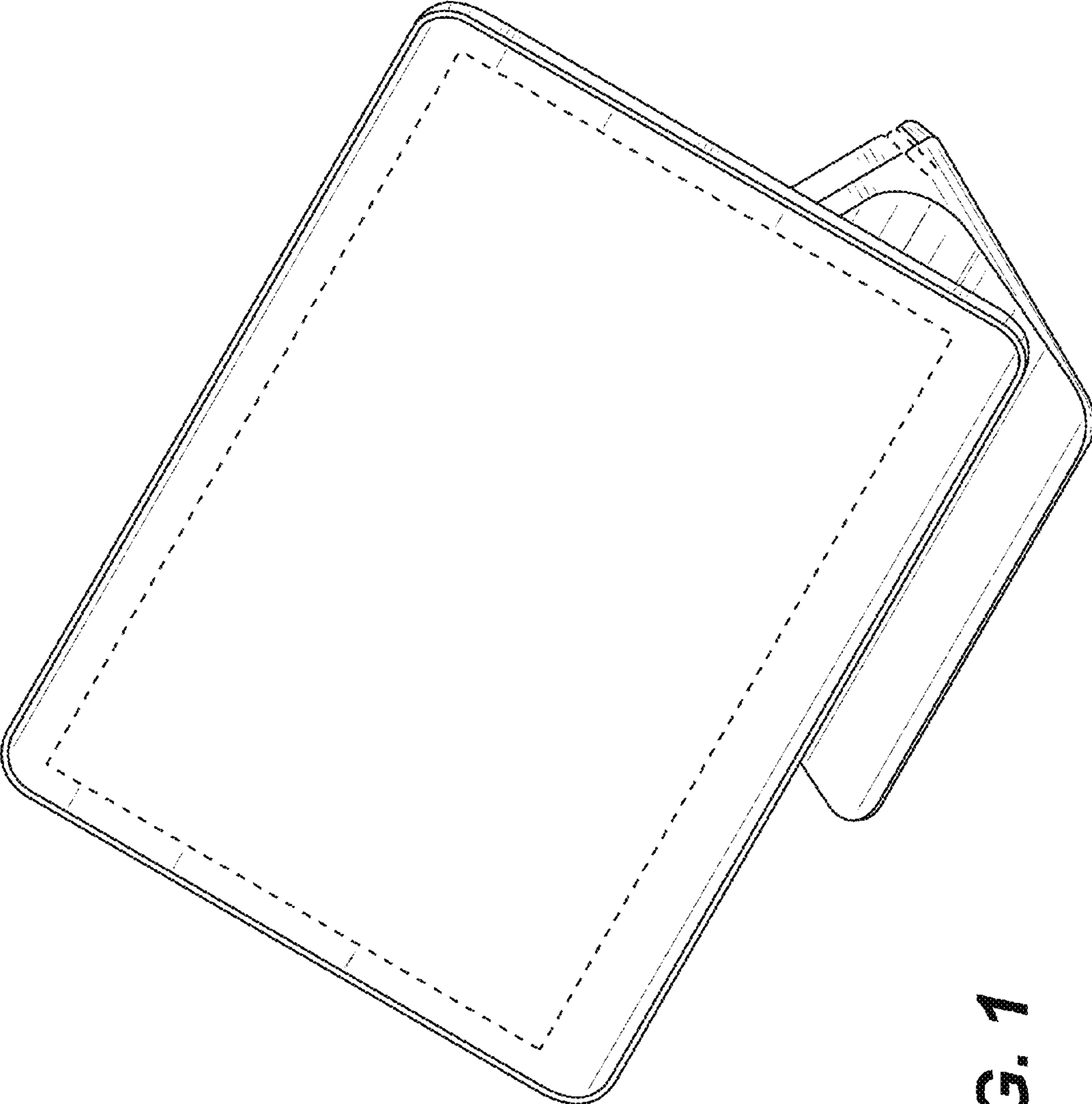


FIG. 1

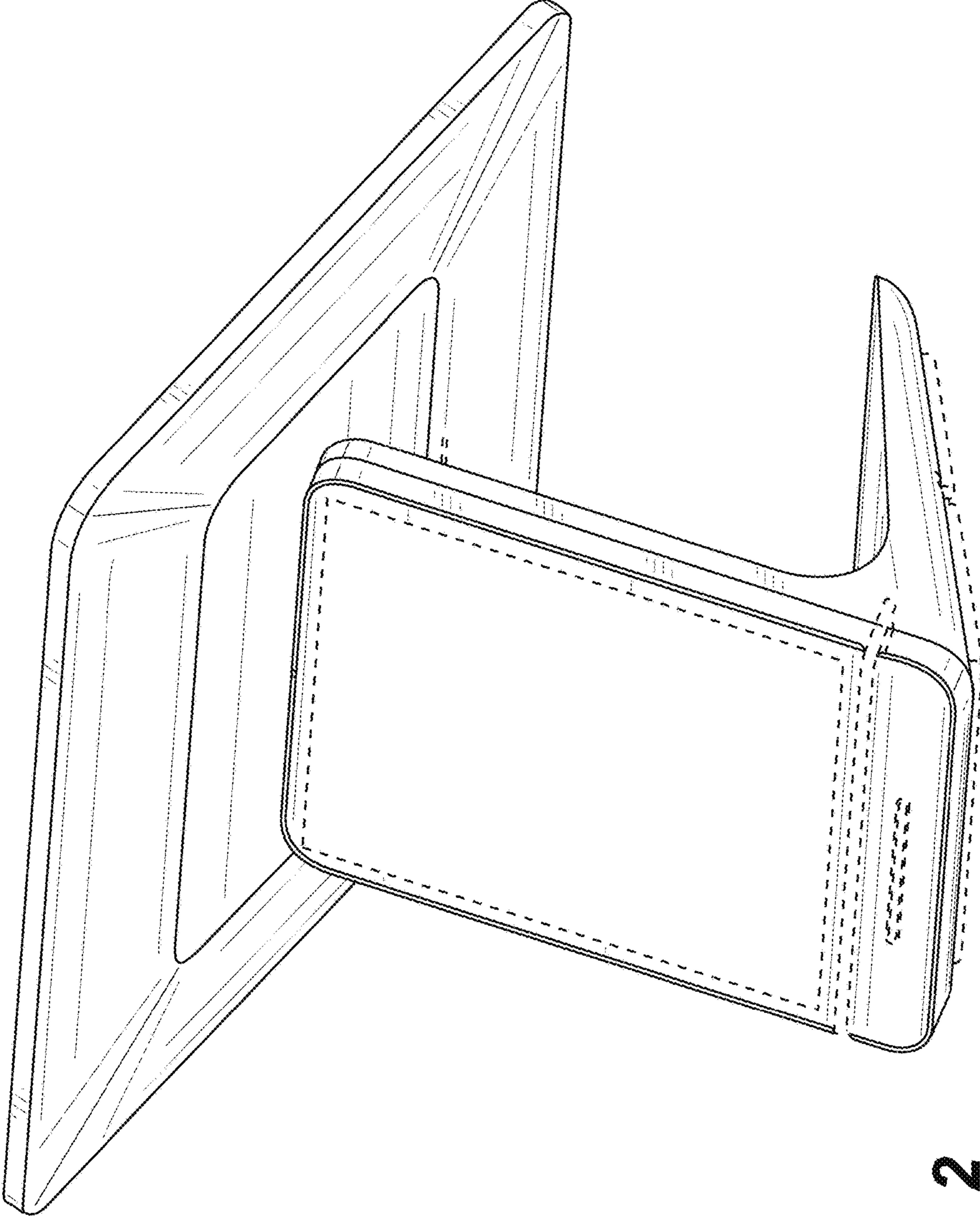


FIG. 2

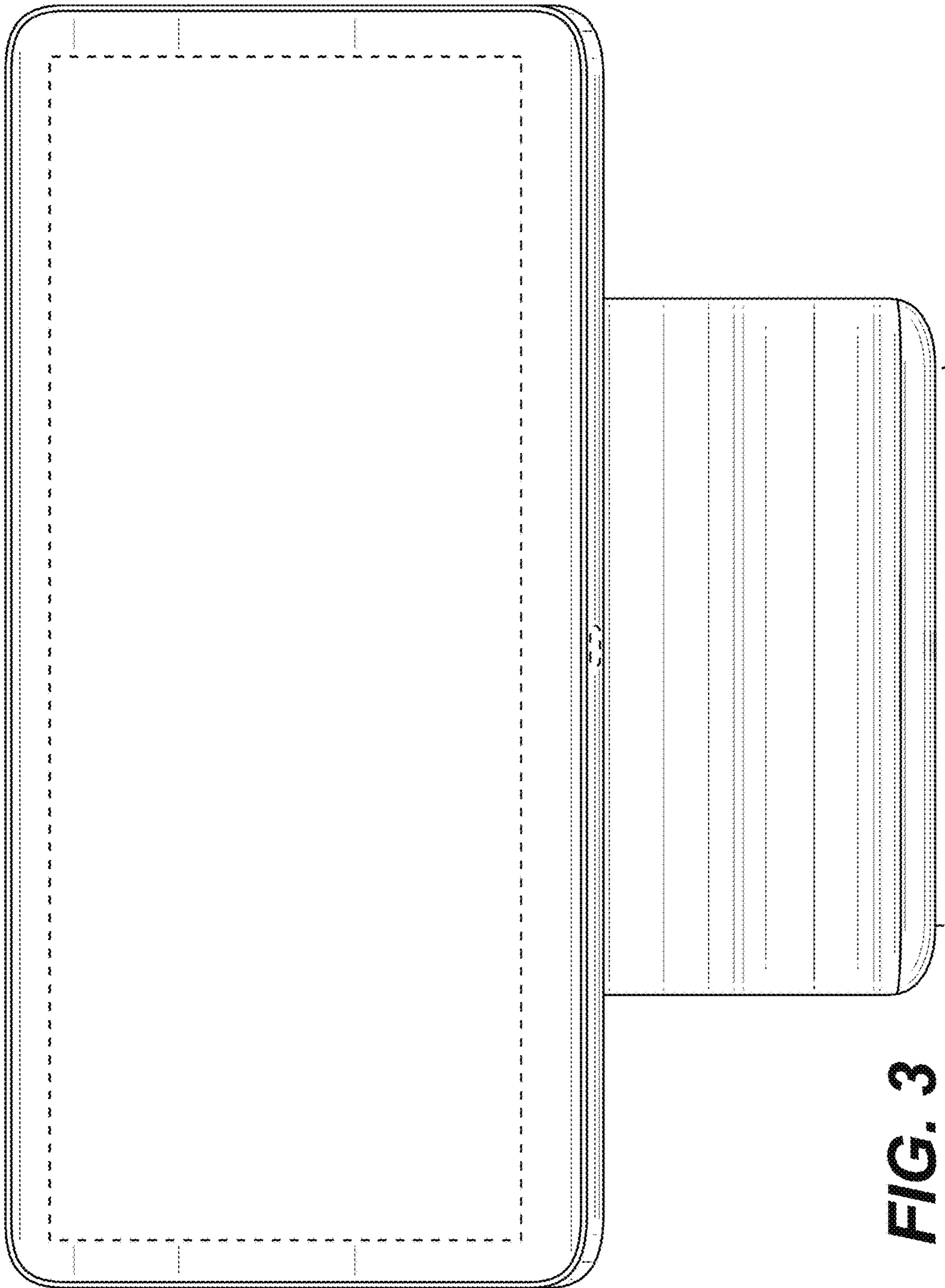


FIG. 3

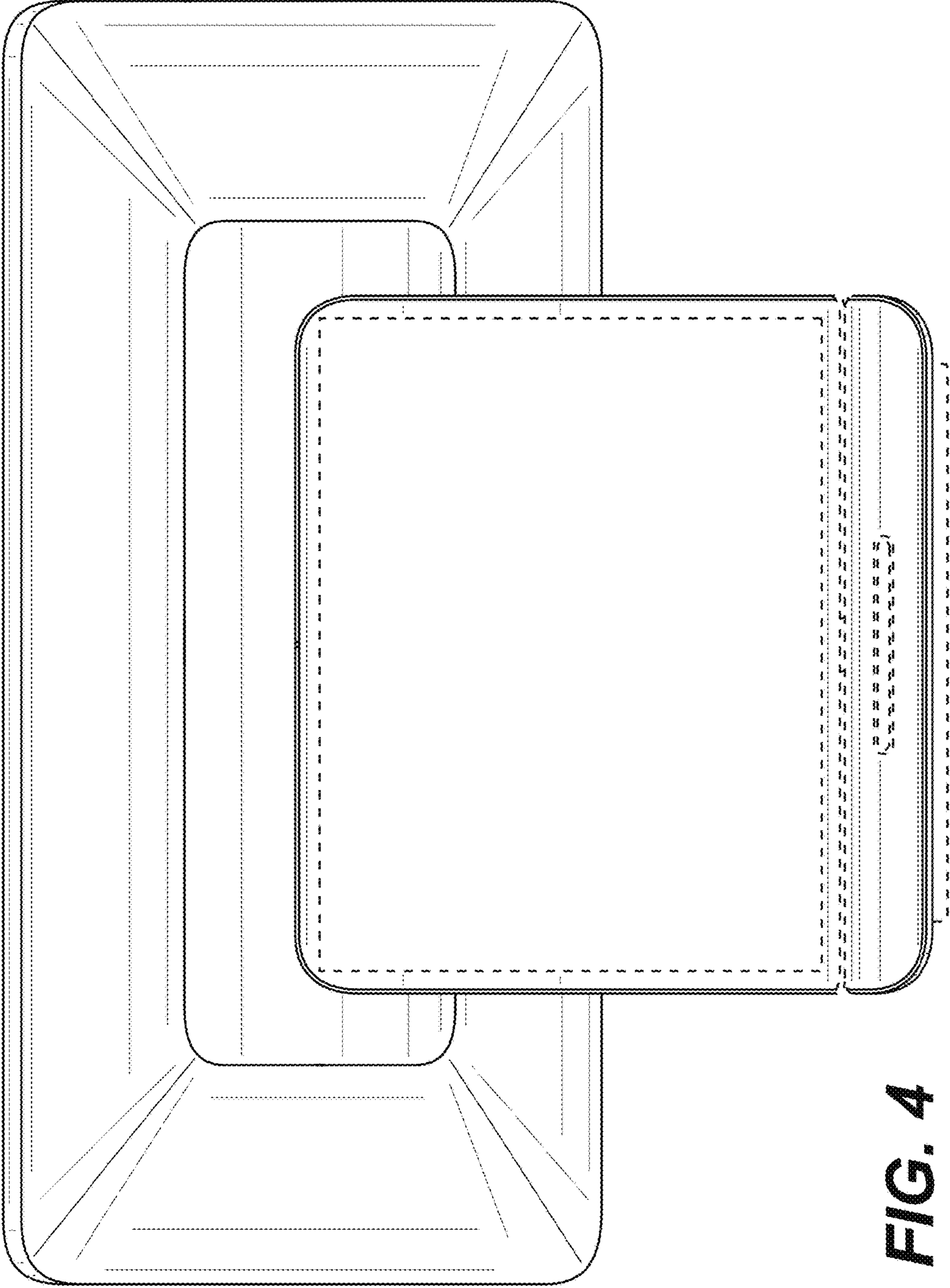


FIG. 4

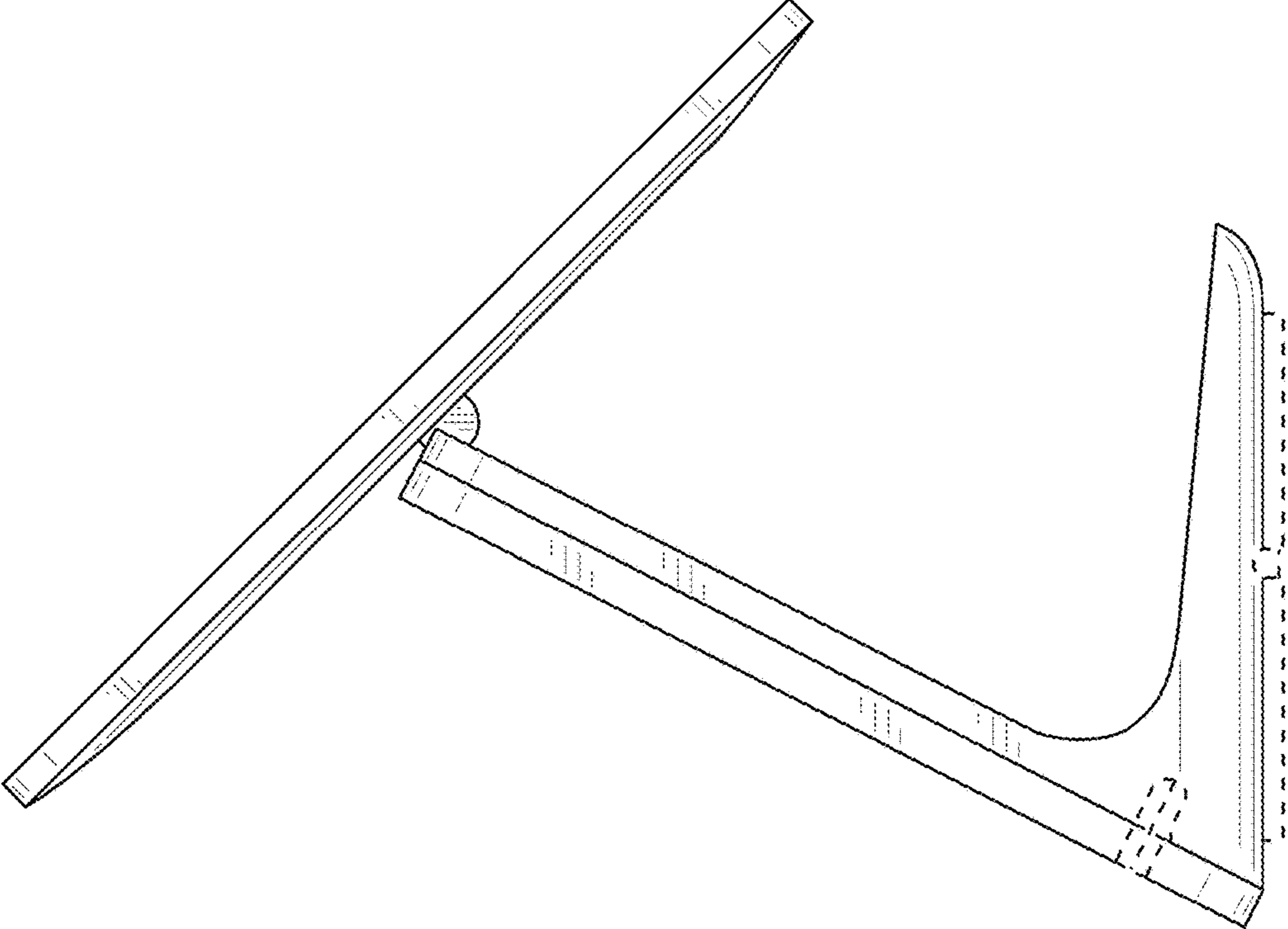


FIG. 5

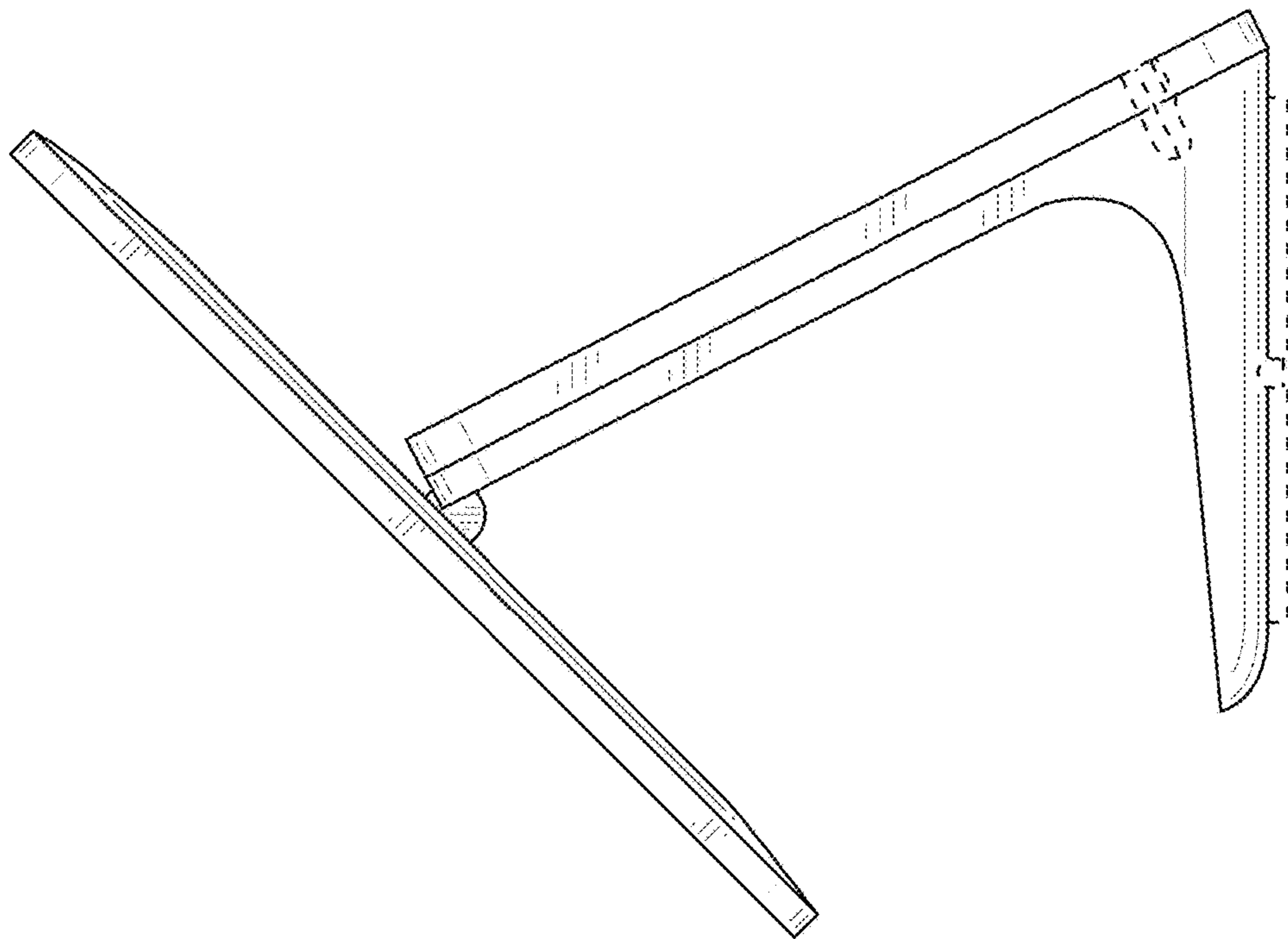


FIG. 6

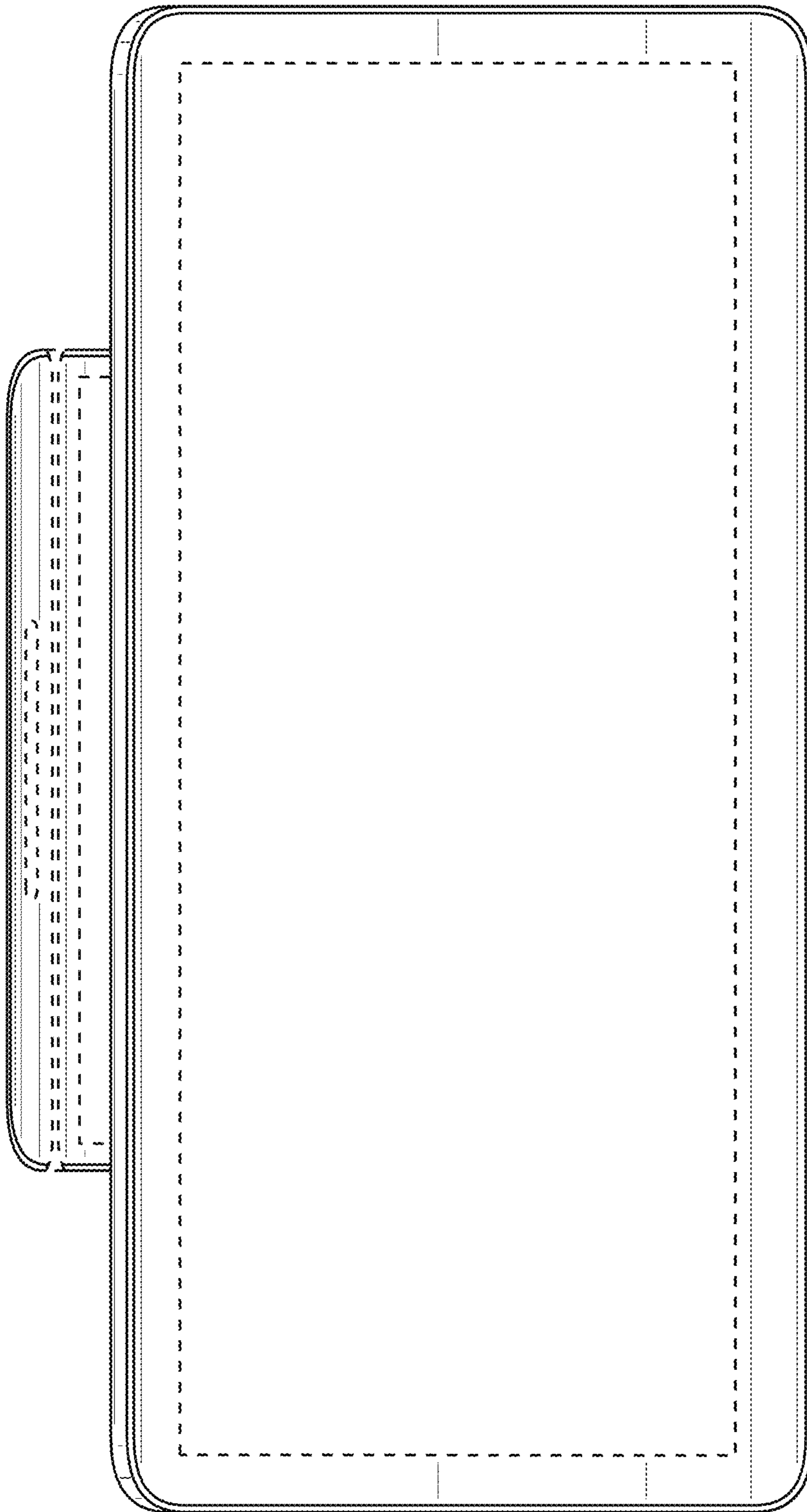


FIG. 7

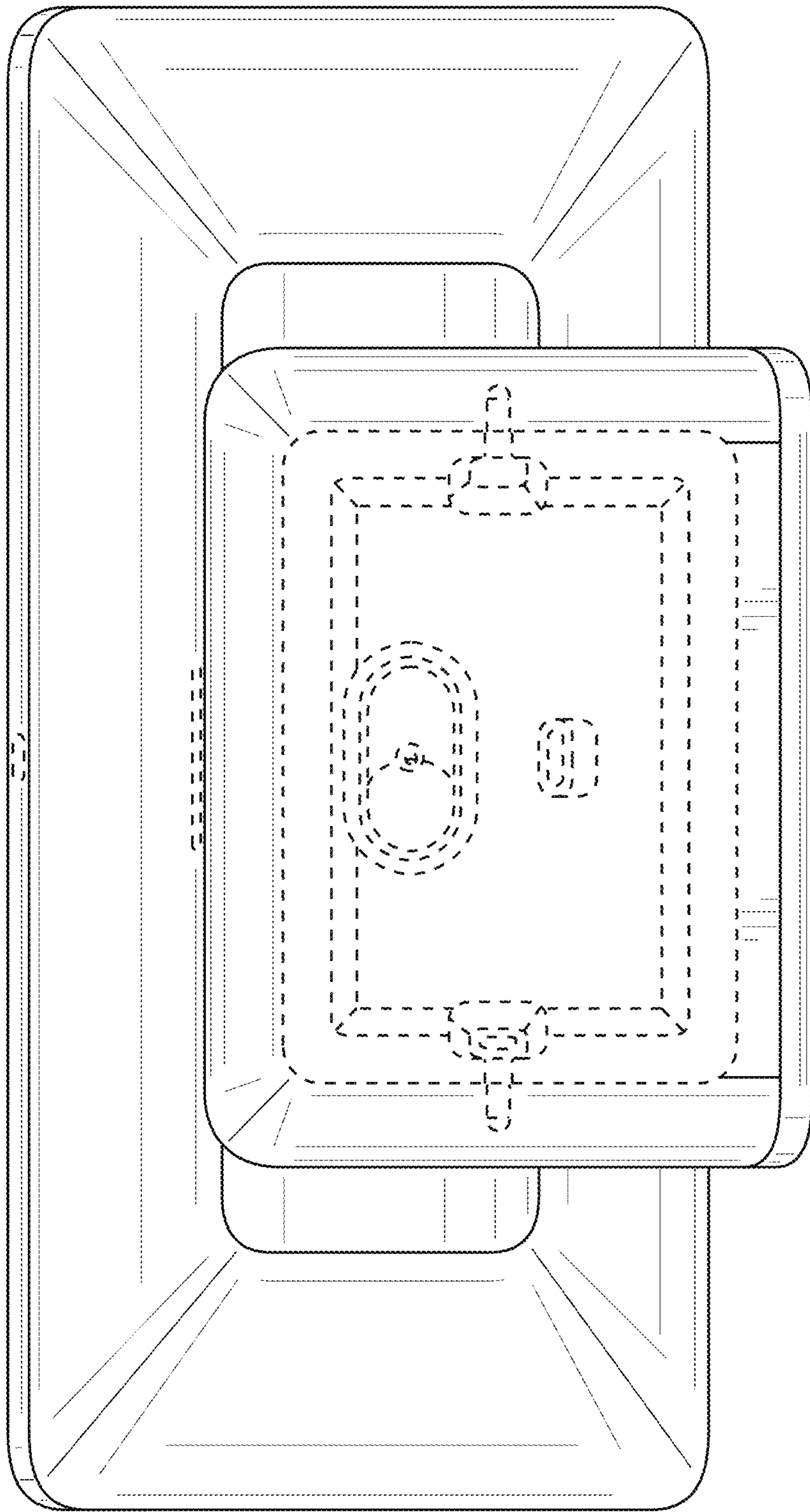


FIG. 8