



US00D810813S

(12) **United States Design Patent**
Zheng et al.

(10) **Patent No.:** **US D810,813 S**

(45) **Date of Patent:** **** Feb. 20, 2018**

(54) STAND	D366,887 S *	2/1996	Wood	D16/242
	D394,265 S	5/1998	Loo et al.	
(71) Applicant: SZ DJI Osmo Technology Co., Ltd., Shenzhen (CN)	D403,573 S	1/1999	Garvey, III	
	D525,642 S *	7/2006	Yamaguchi	D16/245
	7,241,060 B2 *	7/2007	Mootz	G03B 17/561 248/187.1
(72) Inventors: Haibin Zheng, Shenzhen (CN); Min Kim, Shenzhen (CN)	D588,903 S	3/2009	Carnevali	
	D595,565 S	7/2009	Robertson et al.	
	7,712,720 B1	5/2010	Cheng et al.	
(73) Assignee: SZ DJI Osmo Technology Co., Ltd., Shenzhen (CN)	D616,913 S *	6/2010	Lee	D16/245
	D649,865 S	12/2011	English et al.	
	D664,952 S *	8/2012	Richter	D14/253
	D687,879 S	8/2013	Greenthal	
(**) Term: 15 Years	D707,283 S	6/2014	Zhang et al.	
	D707,547 S	7/2014	Greenthal	
(21) Appl. No.: 29/578,551	D709,547 S *	7/2014	Greenthal	D16/245
	D745,374 S	12/2015	Liu	
(22) Filed: Sep. 22, 2016	D754,233 S	4/2016	Du et al.	
	D772,326 S *	11/2016	Hinkel	D16/244

(Continued)

Related U.S. Application Data

(63) Continuation of application No. 29/540,664, filed on Sep. 25, 2015, now Pat. No. Des. 772,326.

(51) **LOC (11) Cl.** **16-05**

(52) **U.S. Cl.**
USPC **D16/244**

(58) **Field of Classification Search**
USPC D14/242-245, 237, 415, 452, 434, 238,
D14/239, 253, 447, 209.1, 451;
D6/310-314; D16/242, 243, 244, 245;
D26/142

CPC G03B 17/56; G03B 17/561; G03B 17/566;
G03B 15/006; G03B 17/563

See application file for complete search history.

(56) **References Cited**

U.S. PATENT DOCUMENTS

D191,105 S	8/1961	Lindenmeyer	
D221,634 S *	8/1971	Bradspies	D16/245
D221,693 S	8/1971	Bradspies et al.	
D221,900 S	9/1971	Samuelson et al.	
5,137,238 A	8/1992	Hutten	

Primary Examiner — Susan Bennett Hattan

Assistant Examiner — Brett Miller

(74) *Attorney, Agent, or Firm* — Sterne, Kessler,
Goldstein & Fox P.L.L.C.

(57) **CLAIM**

The ornamental design for a stand, as shown and described.

DESCRIPTION

FIG. 1 is a top front perspective view of a stand showing the claimed design;

FIG. 2 is a bottom rear perspective view thereof;

FIG. 3 is a rear view thereof;

FIG. 4 is a front view thereof;

FIG. 5 is a right side view thereof;

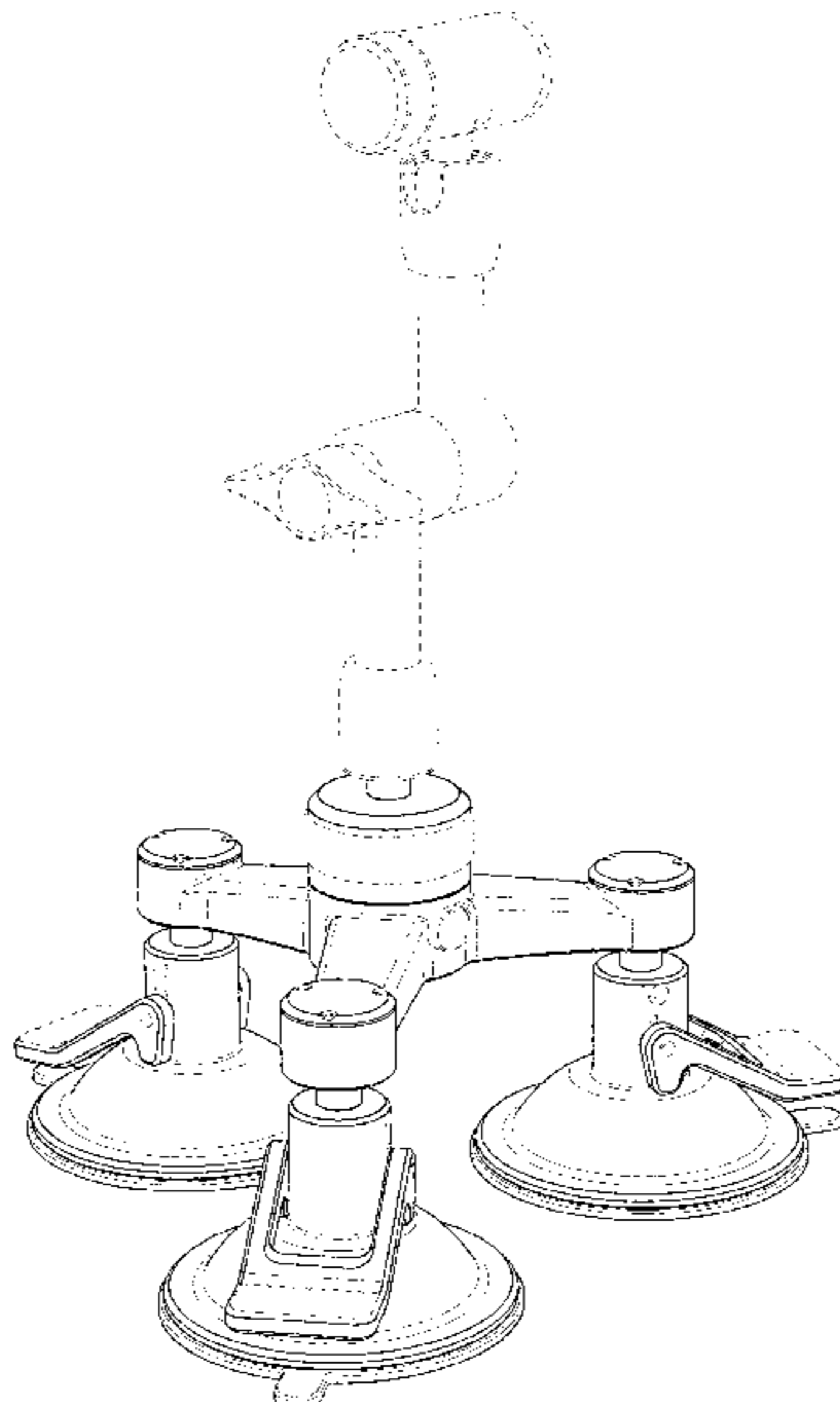
FIG. 6 is a left side view thereof;

FIG. 7 is a top view thereof; and,

FIG. 8 is a bottom view thereof.

The broken lines in the figures show portions of the stand that form no part of the claimed design.

1 Claim, 8 Drawing Sheets



(56)

References Cited

U.S. PATENT DOCUMENTS

D783,079 S * 4/2017 Lee D16/242
2005/0265711 A1* 12/2005 Heibel G03B 17/561
396/419
2006/0255218 A1 11/2006 Hsiung
2007/0278373 A1 12/2007 Wang
2009/0230262 A1 9/2009 Chiu
2010/0042111 A1 2/2010 Qureshi et al.
2010/0224745 A1 9/2010 Orlov et al.
2015/0248048 A1 9/2015 Jung
2017/0037995 A1* 2/2017 Pan G03B 17/561
2017/0174362 A1* 6/2017 Zhao G03B 17/561
2017/0307136 A1* 10/2017 Wei G03B 17/561

* cited by examiner

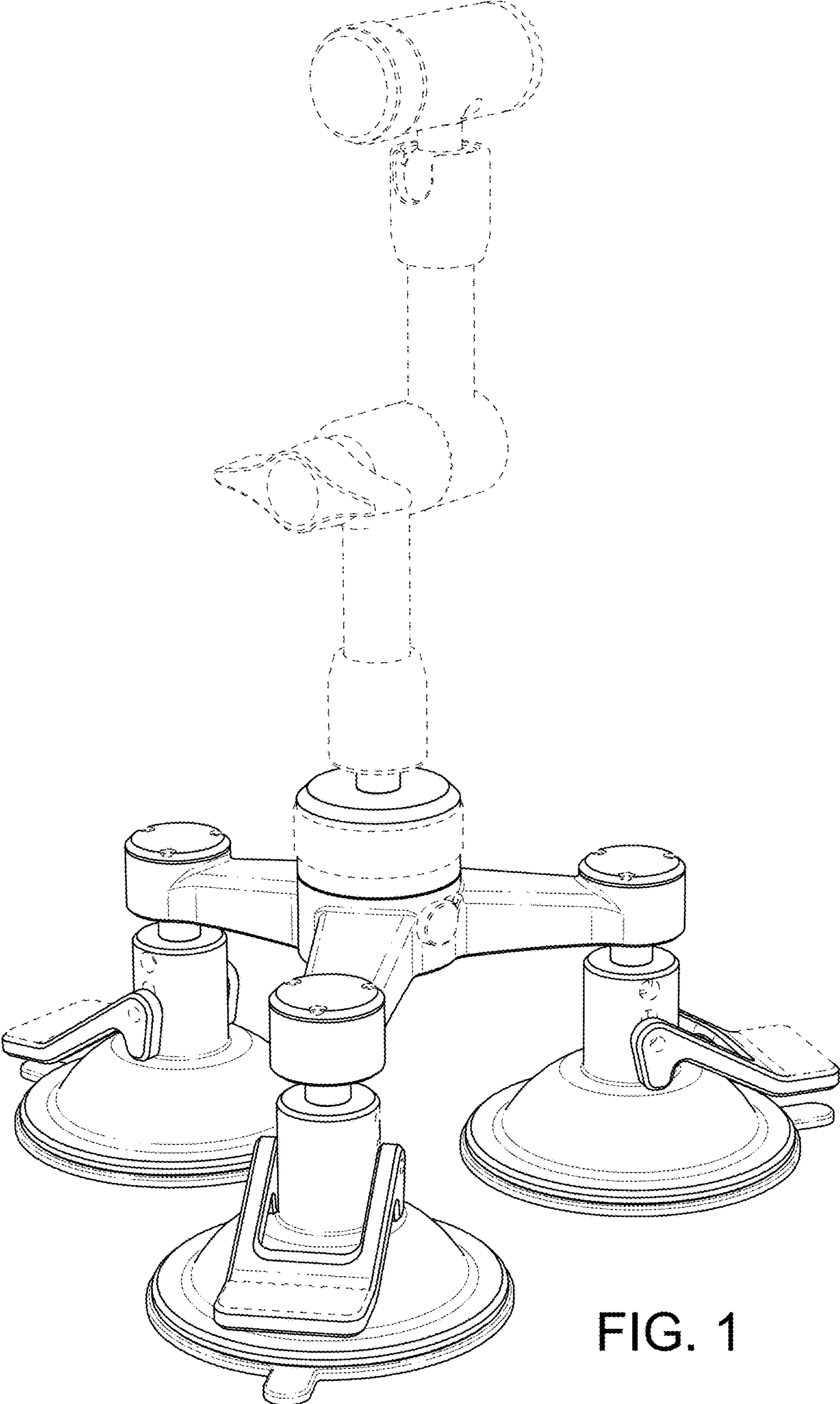


FIG. 1

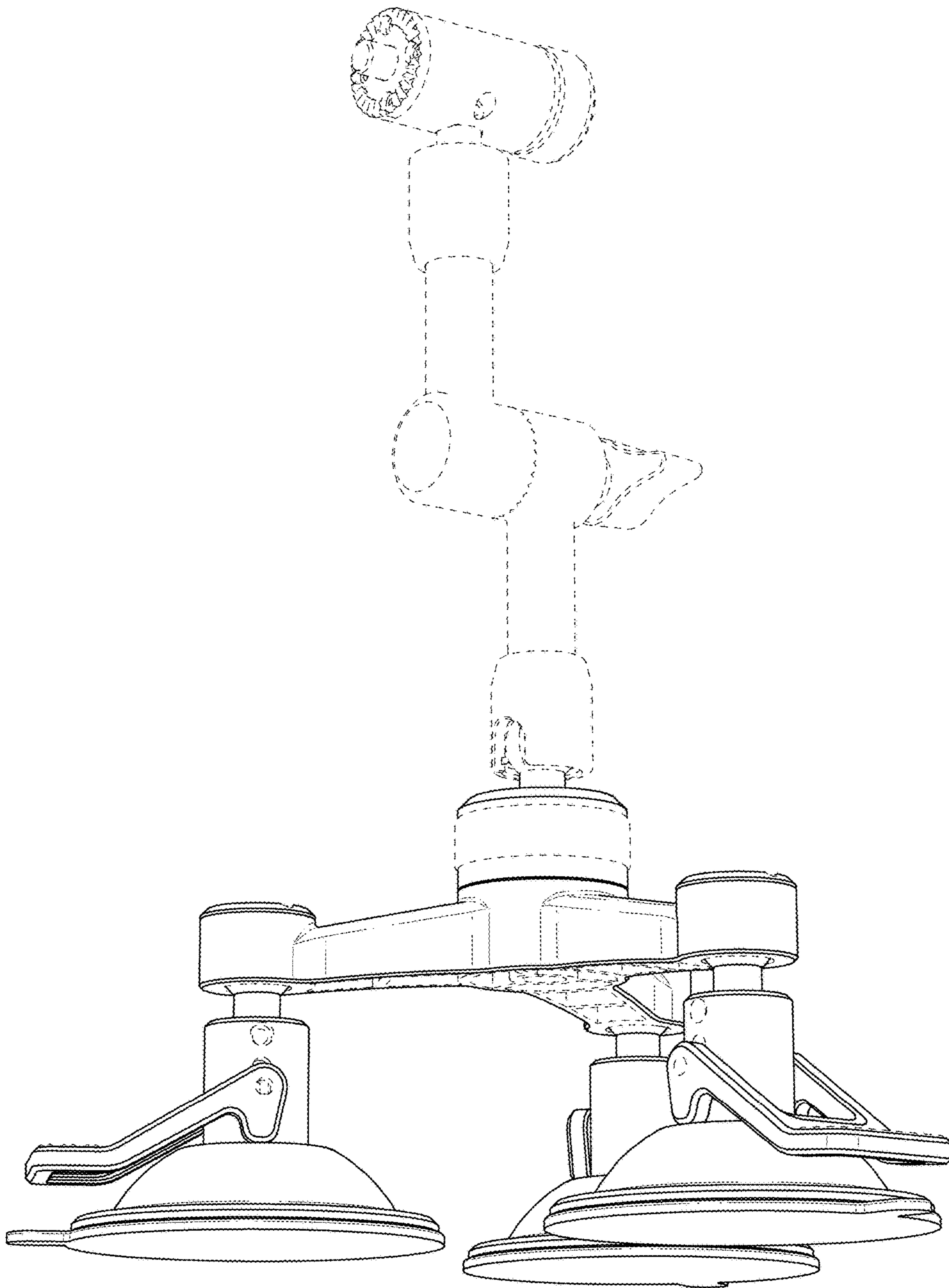


FIG. 2

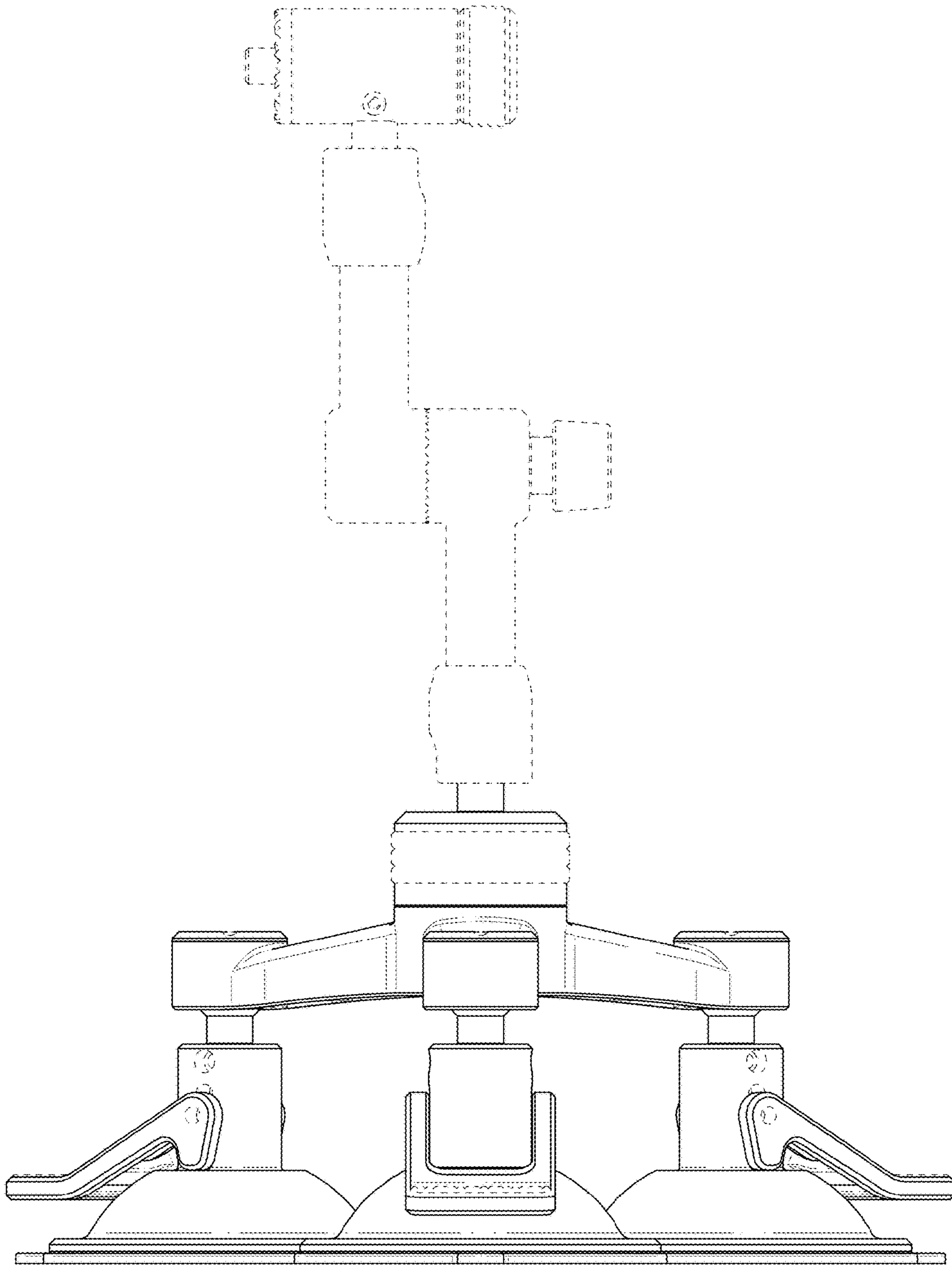


FIG. 3

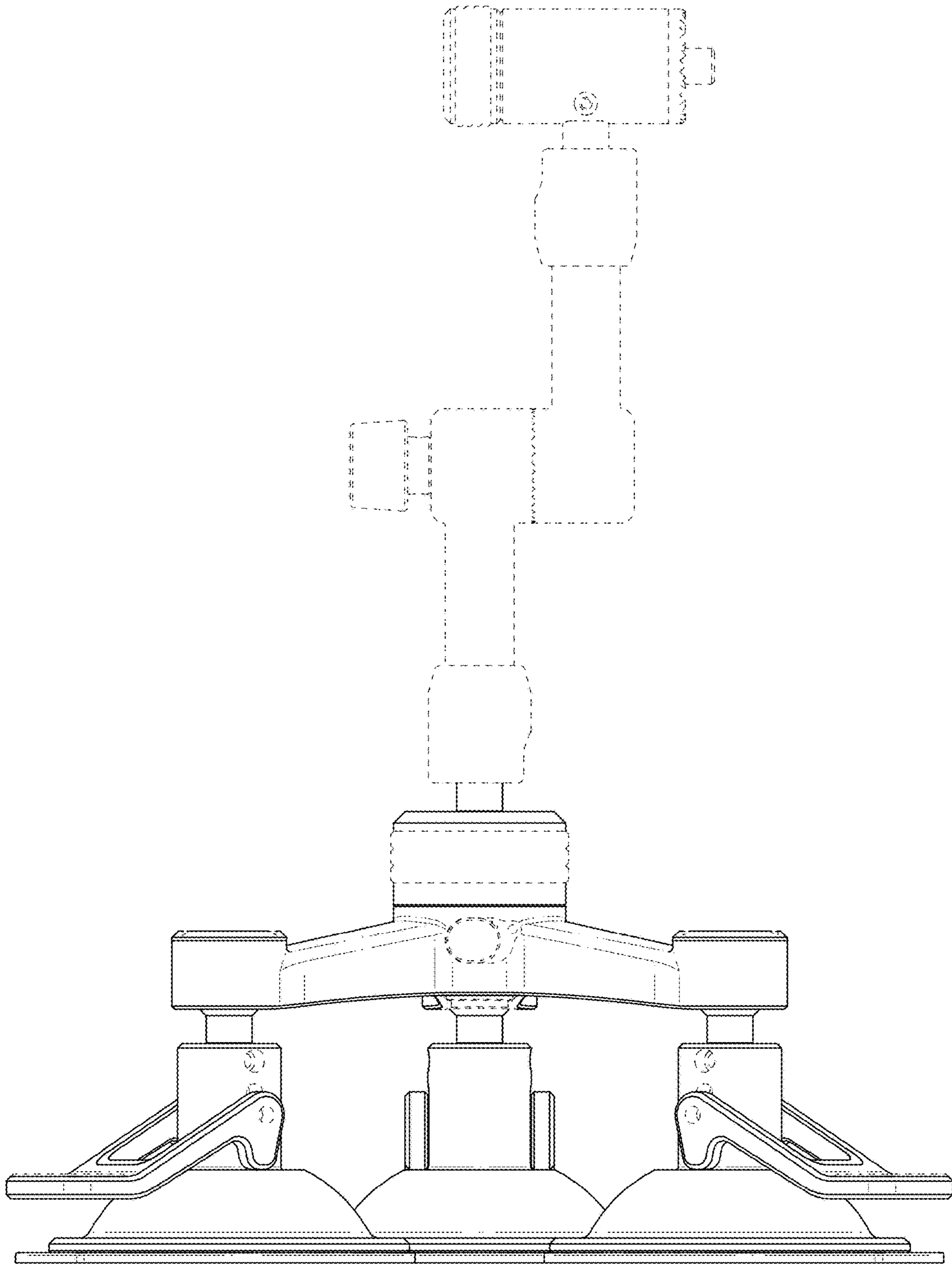


FIG. 4

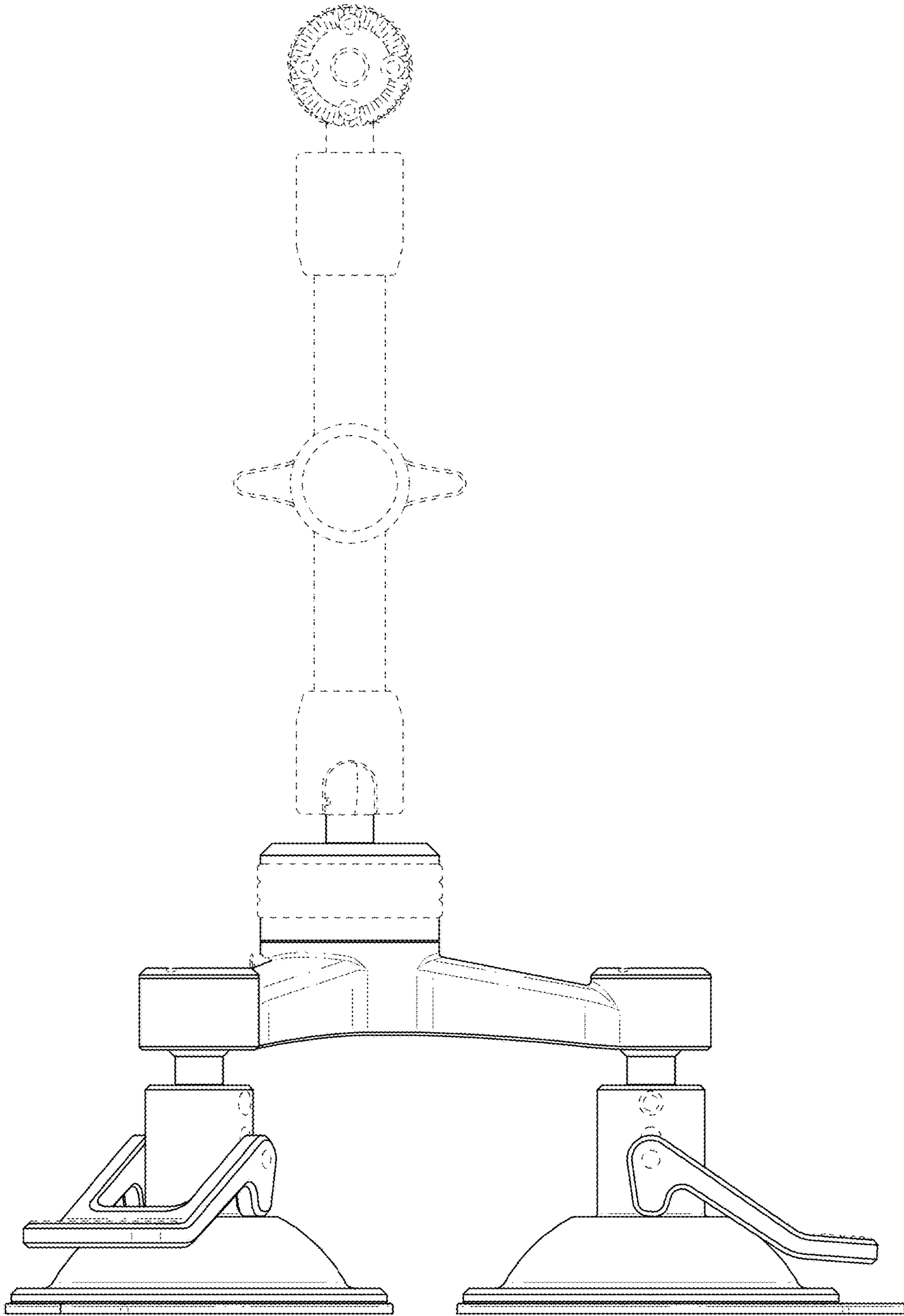


FIG. 5

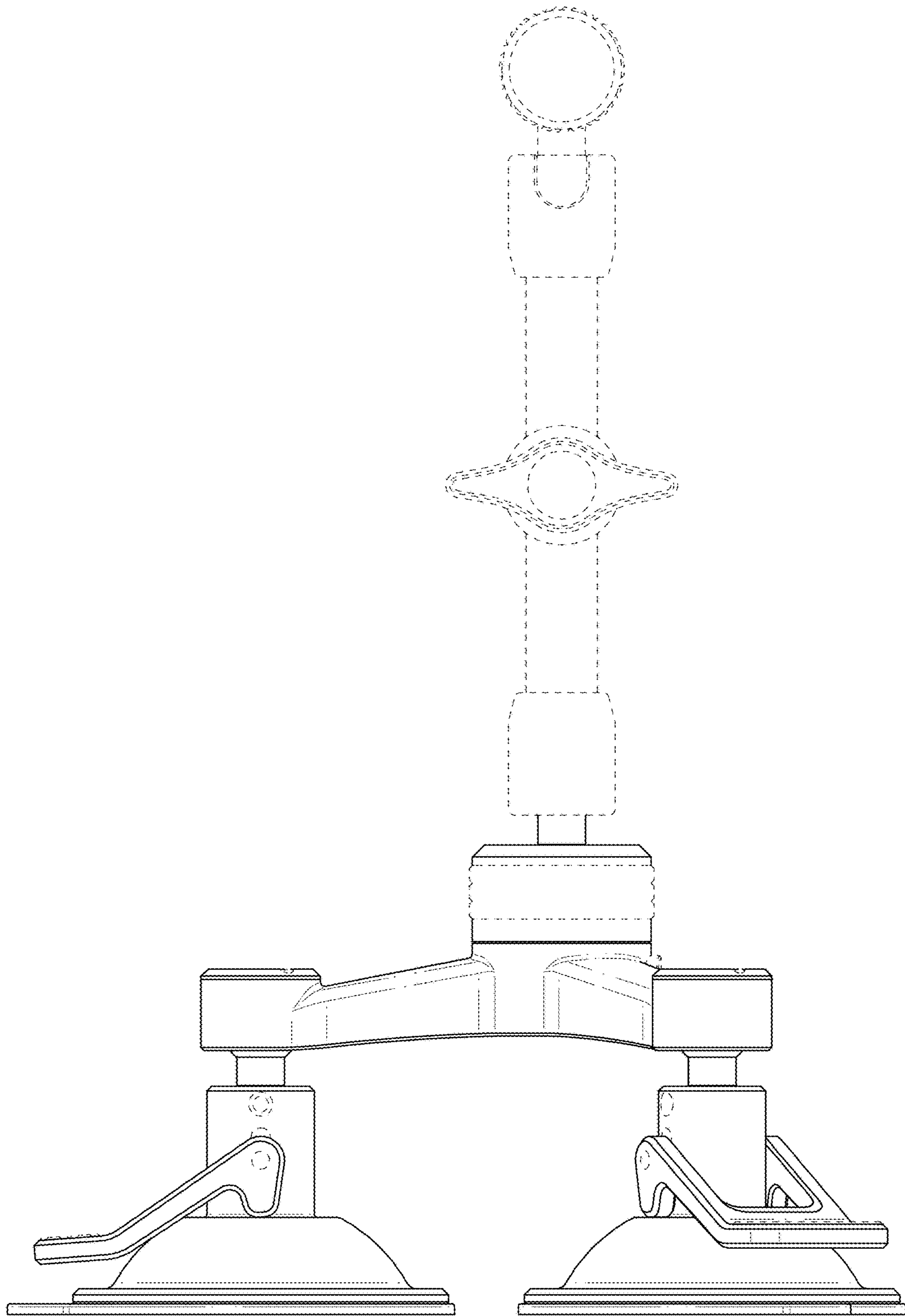


FIG. 6

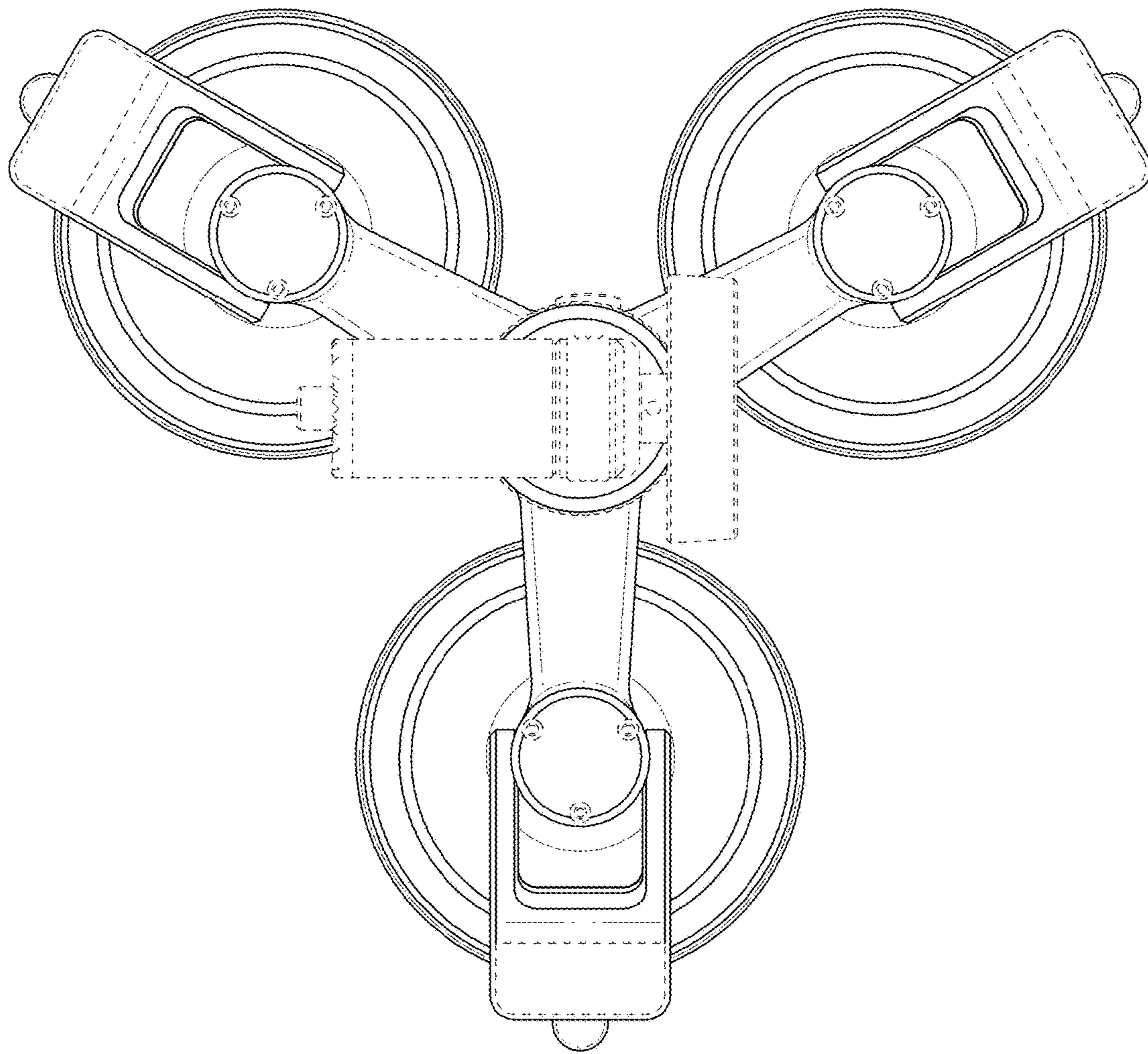


FIG. 7

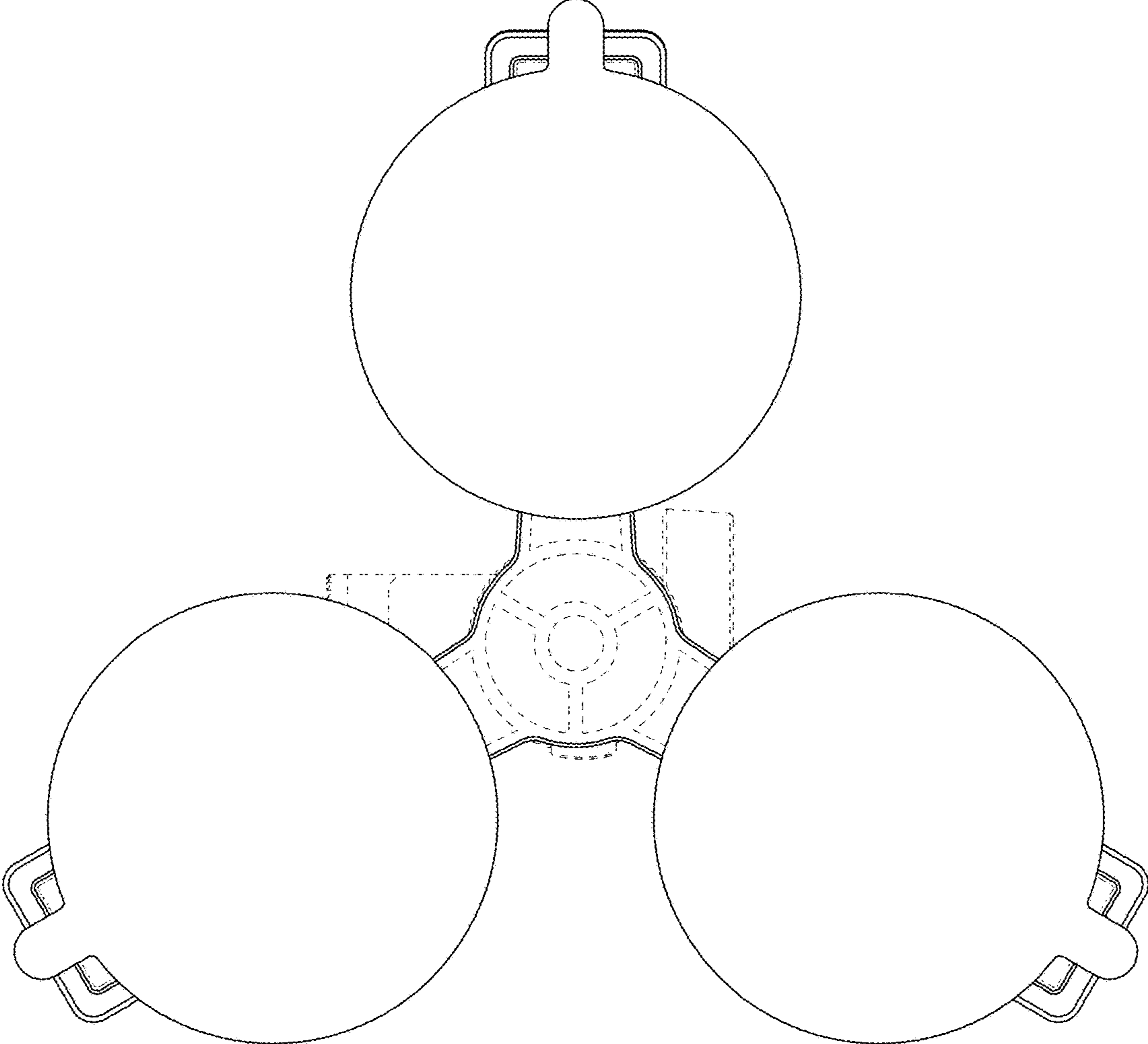


FIG. 8