



US00D810811S

(12) **United States Design Patent**
Imamizu et al.

(10) **Patent No.:** **US D810,811 S**

(45) **Date of Patent:** **** Feb. 20, 2018**

(54) **DIGITAL CAMERA**

(71) Applicant: **Nikon Corporation**, Tokyo (JP)

(72) Inventors: **Makoto Imamizu**, Yokohama (JP);
Kenji Abe, Kawasaki (JP); **Yuki Kobayashi**, Tokyo (JP); **Kenichi Soejima**, Yokohama (JP)

(73) Assignee: **Nikon Corporation**, Tokyo (JP)

(**) Term: **15 Years**

(21) Appl. No.: **29/574,464**

(22) Filed: **Aug. 16, 2016**

(30) **Foreign Application Priority Data**

Feb. 18, 2016 (JP) 2016-003536

(51) **LOC (11) Cl.** **16-05**

(52) **U.S. Cl.**
USPC **D16/219**; D16/209

(58) **Field of Classification Search**
USPC D16/200–220, 232, 235, 239, 242, 243,
D16/244, 245, 250; D14/423, 229, 251,
D14/253; D8/107, 303, 8; D32/18, 19,
D32/25; D4/113, 115, 138
CPC G02B 5/00; G03B 11/04; G03B 17/00;
G03B 17/02; G03B 9/08; H04N 5/2251;
H04N 5/232; H04N 7/00; F16M 13/00
See application file for complete search history.

(56) **References Cited**

U.S. PATENT DOCUMENTS

D387,079 S	*	12/1997	Horikiri	D16/200
D388,110 S	*	12/1997	Watarai	D16/200
D444,163 S	*	6/2001	Yoshida	D16/202
D446,532 S	*	8/2001	Takahashi	D16/202
D481,052 S	*	10/2003	Ogura	D16/202
D515,606 S	*	2/2006	Nakamura	D16/202
D520,043 S	*	5/2006	Kurimoto	D16/202
D528,580 S	*	9/2006	Sumita	D16/202

D547,783 S	*	7/2007	Sakai	D16/202
D568,363 S	*	5/2008	Funakoshi	D16/217
D570,891 S		6/2008	Miyahara et al.		
D576,649 S	*	9/2008	Kim	D16/202
D579,039 S		10/2008	Nakamura		
D593,142 S	*	5/2009	Yoshida	D16/202
D594,892 S		6/2009	Kamiya et al.		
D609,730 S		2/2010	Nakamura		
D620,036 S	*	7/2010	Obata	D16/202

(Continued)

FOREIGN PATENT DOCUMENTS

WO WO D092158-003 * 2/2017

OTHER PUBLICATIONS

Notice of Allowance for U.S. Appl. No. 29/574,463, dated Feb. 28, 2017.

Primary Examiner — Barbara Fox
Assistant Examiner — Mary C Ramirez
(74) *Attorney, Agent, or Firm* — Wolf, Greenfield & Sacks, P.C.

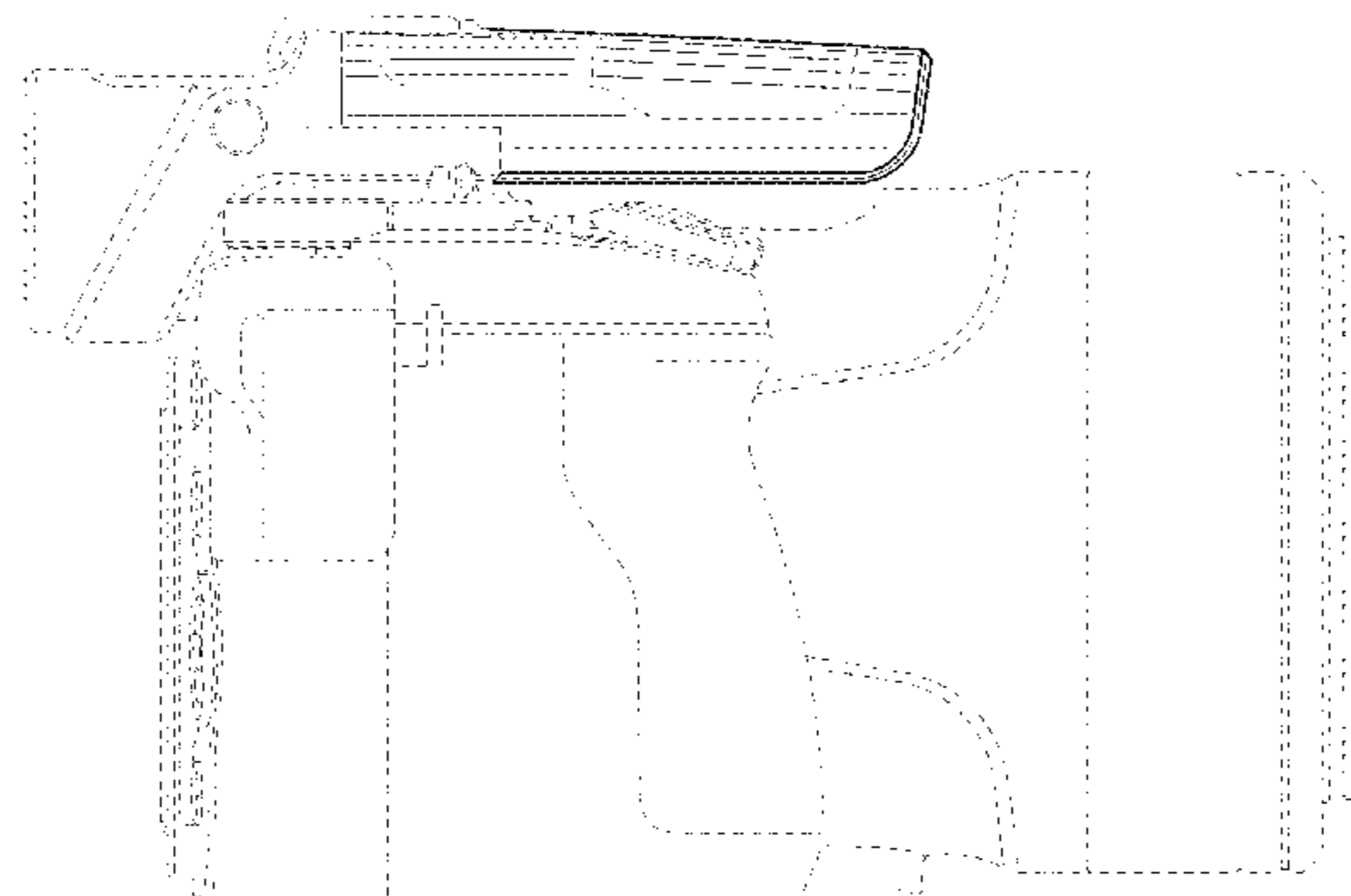
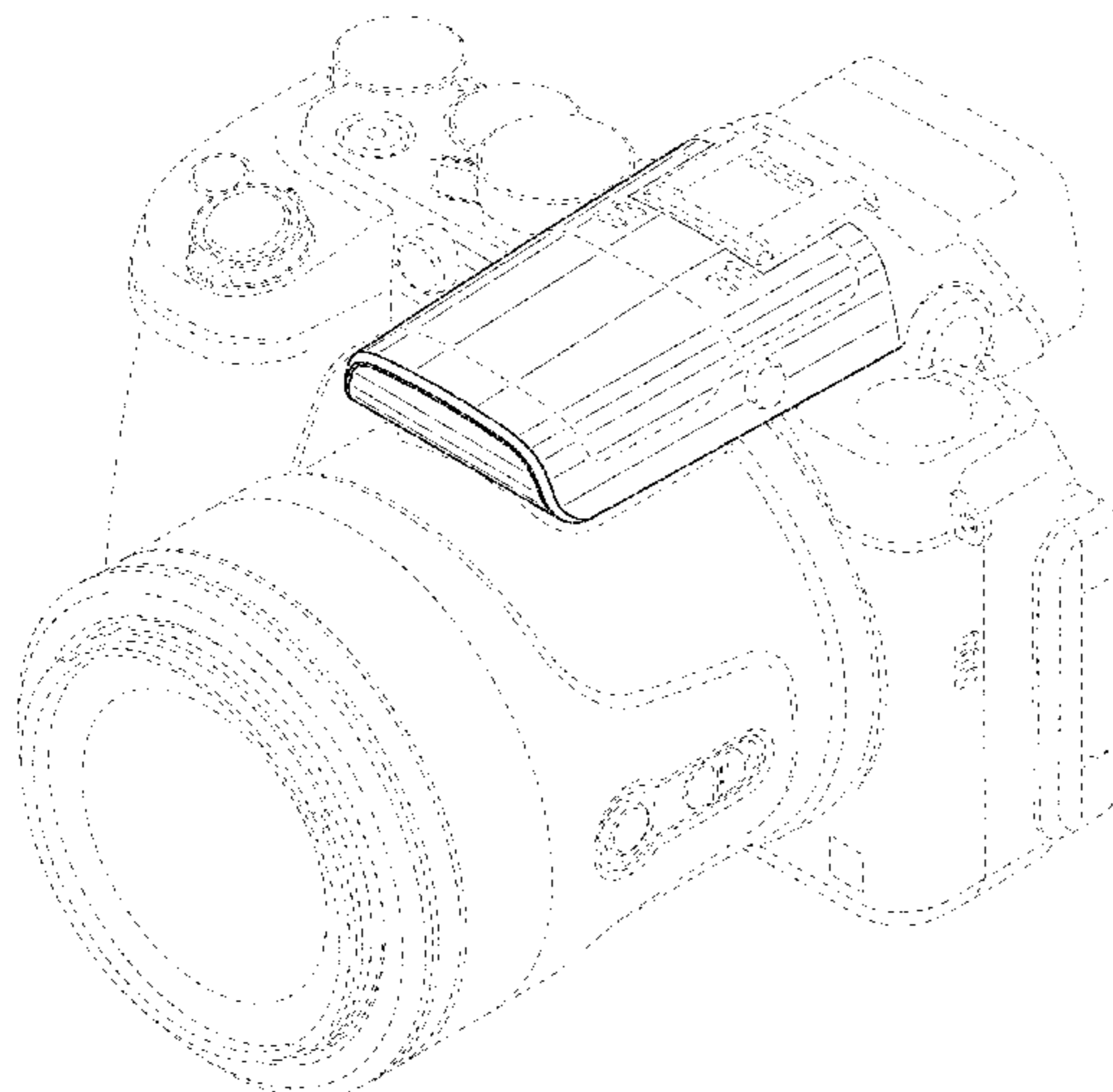
(57) **CLAIM**

The ornamental design for a digital camera, as shown and described.

DESCRIPTION

FIG. 1 is a front perspective view of a digital camera showing our new design;
FIG. 2 is a rear perspective view thereof;
FIG. 3 is a front elevational view thereof;
FIG. 4 is a top plan view thereof;
FIG. 5 is a right side elevational view thereof; and,
FIG. 6 is a left side elevational view thereof.
The broken lines shown in the drawings depict portions of the digital camera that form no part of the claimed design. The dash-dotted lines denote the boundary of the claim and form no part of the claimed design.

1 Claim, 6 Drawing Sheets



(56)

References Cited

U.S. PATENT DOCUMENTS

D624,107 S * 9/2010 Goldenberg D14/138 G
 D640,847 S * 6/2011 Houghton D32/18
 8,131,147 B2 3/2012 Kusatsugu
 D664,177 S * 7/2012 Oikawa D16/202
 D672,801 S 12/2012 Nakamura et al.
 D698,840 S 2/2014 Nakamura et al.
 D706,849 S 6/2014 Sakai
 D710,423 S * 8/2014 Teppan D16/202
 D724,130 S 3/2015 Ham
 D724,131 S 3/2015 Kim
 D724,639 S 3/2015 Noh
 D726,383 S * 4/2015 Milligan D32/18
 D733,782 S 7/2015 Sakai et al.
 D744,023 S * 11/2015 Ham D16/219
 D775,256 S * 12/2016 Kobayashi D16/219
 D782,556 S * 3/2017 Kobayashi D16/202
 D789,434 S * 6/2017 Abe D16/202
 D795,939 S * 8/2017 Hoshi D16/202
 2006/0222357 A1 10/2006 Tomimoto
 2007/0280674 A1 * 12/2007 Tomatsu G03B 13/10
 396/382
 2008/0049325 A1 * 2/2008 Hirai G02B 27/0006
 359/507
 2010/0111517 A1 * 5/2010 Yasuda G03B 17/00
 396/532
 2015/0124161 A1 * 5/2015 Chikada G03B 17/02
 348/373

* cited by examiner

FIG. 1

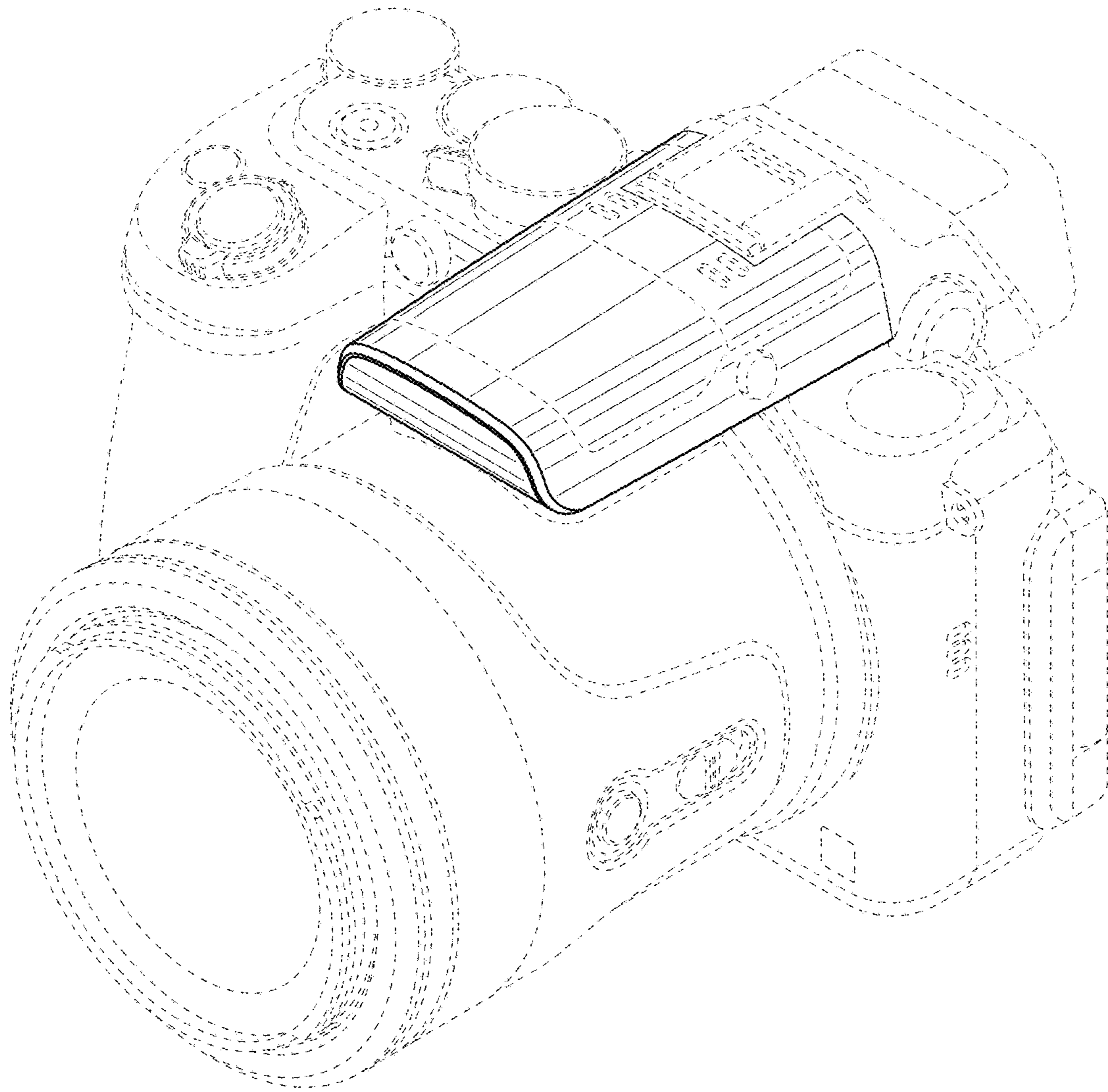


FIG. 2

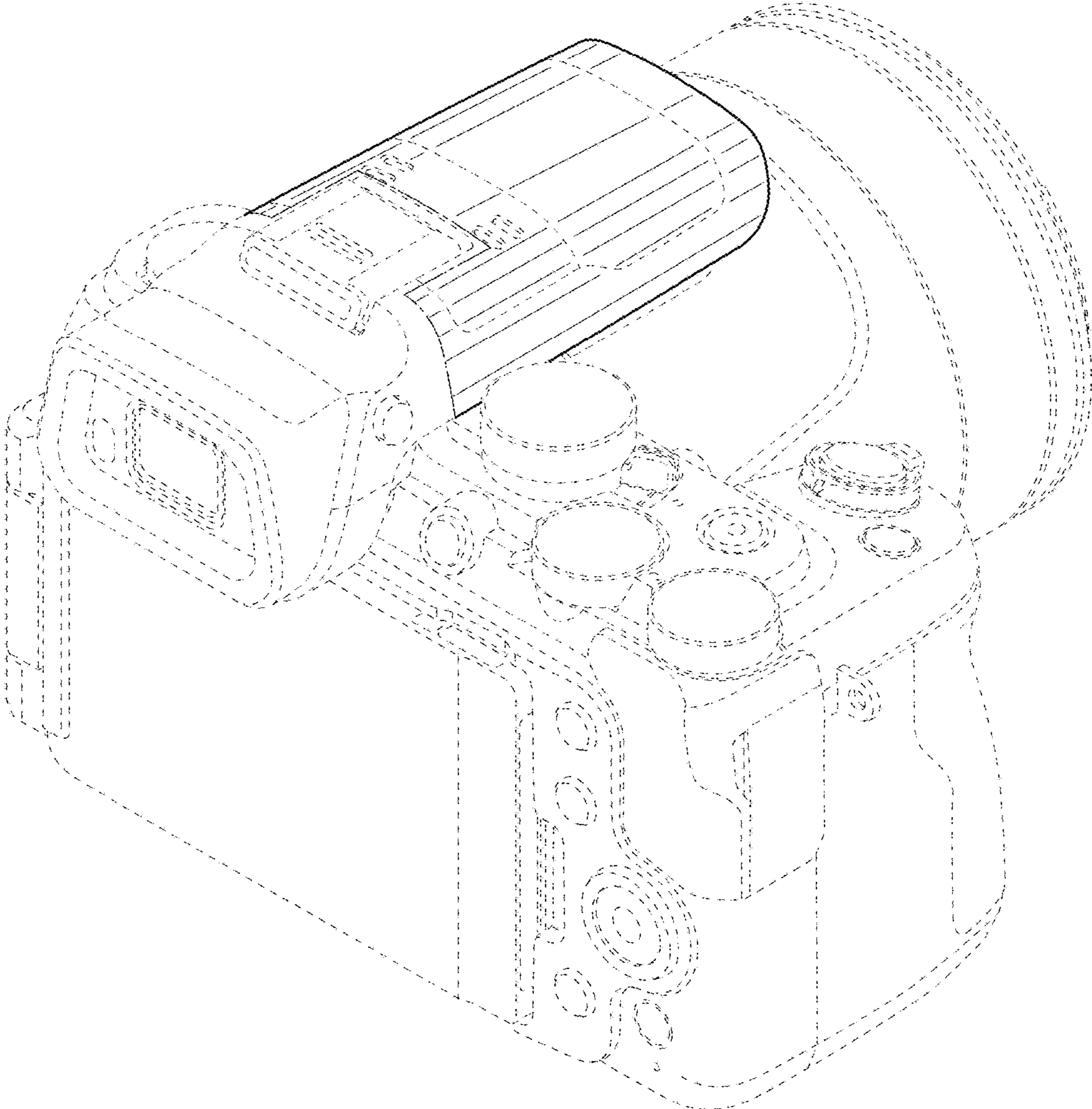


FIG. 3

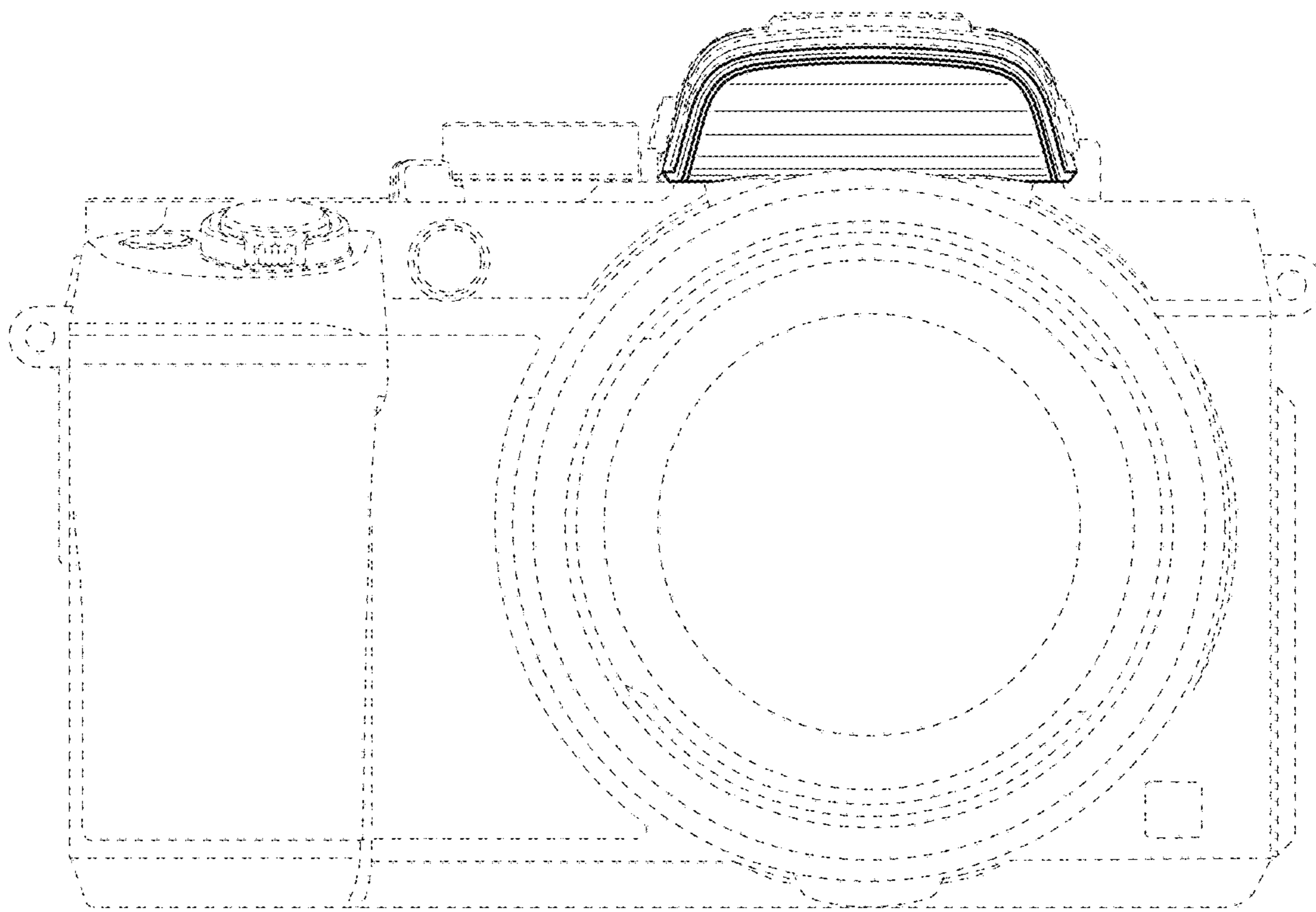


FIG. 4

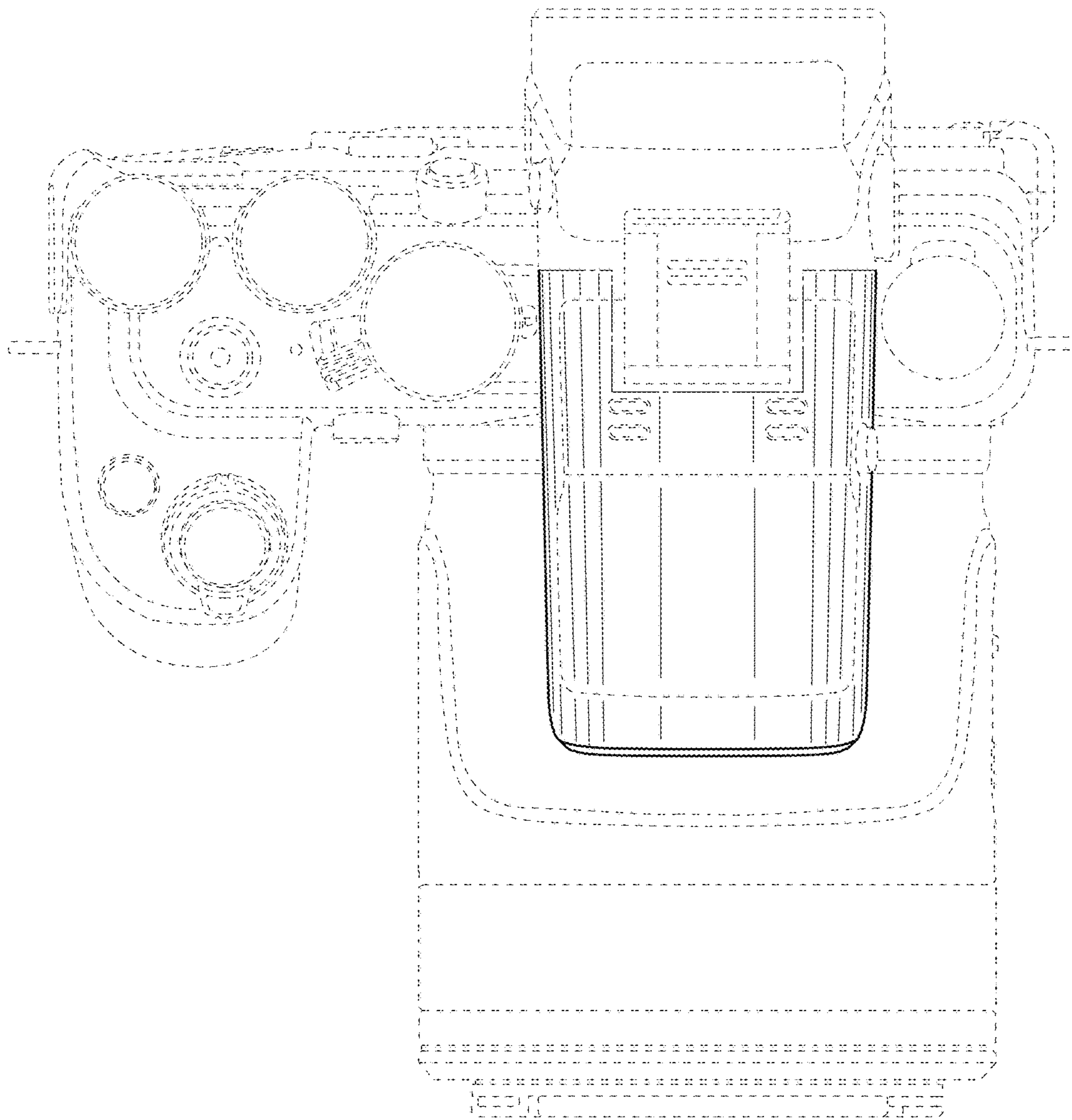


FIG. 5

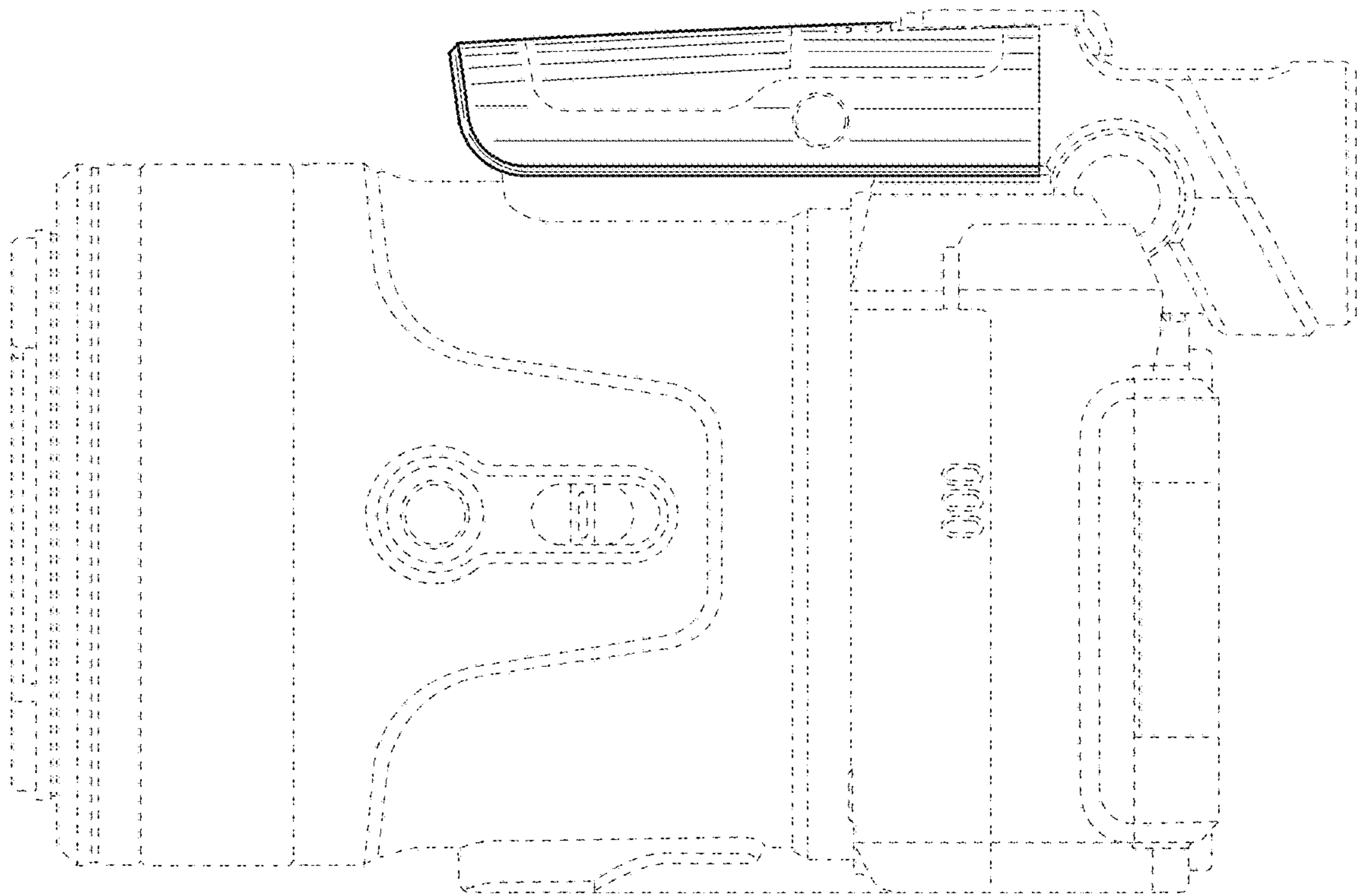


FIG. 6

