



US00D810810S

(12) **United States Design Patent**  
**Abe et al.**

(10) **Patent No.:** **US D810,810 S**

(45) **Date of Patent:** **\*\* Feb. 20, 2018**

(54) **DIGITAL CAMERA**

(71) Applicant: **Nikon Corporation**, Tokyo (JP)

(72) Inventors: **Kenji Abe**, Kawasaki (JP); **Kenichi Soejima**, Yokohama (JP)

(73) Assignee: **Nikon Corporation**, Tokyo (JP)

(\*\*) Term: **15 Years**

(21) Appl. No.: **29/574,462**

(22) Filed: **Aug. 16, 2016**

(30) **Foreign Application Priority Data**

Feb. 18, 2016 (JP) ..... 2016-003534

(51) **LOC (11) Cl.** ..... **16-05**

(52) **U.S. Cl.**  
USPC ..... **D16/219**; D16/243

(58) **Field of Classification Search**  
USPC ..... D16/200–220, 232, 235, 239, 242, 243,  
D16/244, 245, 250; D14/423, 229, 251,  
D14/253; D8/107, 303, 8; D32/18, 19,  
D32/25; D4/113, 115, 138  
CPC ..... G02B 5/00; G03B 11/04; G03B 17/00;  
G03B 17/02; G03B 9/08; H04N 5/2251;  
H04N 5/232; H04N 7/00; F16M 13/00  
See application file for complete search history.

(56) **References Cited**

**U.S. PATENT DOCUMENTS**

D366,269 S *	1/1996	Ohi	.....	D16/202
D388,109 S *	12/1997	Kimura	.....	D16/217
D411,218 S *	6/1999	Kumakura	.....	D16/217
D416,270 S *	11/1999	Harata	.....	D16/202
D423,031 S *	4/2000	Shinohara	.....	D16/202
D446,532 S *	8/2001	Takahashi	.....	D16/202
D449,629 S *	10/2001	Ogura	.....	D16/200
D483,783 S *	12/2003	Yoshida	.....	D16/202

D486,168 S *	2/2004	Nakamura	.....	D16/202
D525,639 S *	7/2006	Nakamura	.....	D16/202
D536,015 S *	1/2007	Hanafusa	.....	D16/202
D542,822 S *	5/2007	Senda	.....	D16/202
D552,646 S *	10/2007	Bai	.....	D16/200
D558,809 S *	1/2008	Nakamura	.....	D16/202
D564,560 S *	3/2008	Funakoshi	.....	D16/200
D580,472 S *	11/2008	Ishii	.....	D16/219

(Continued)

**FOREIGN PATENT DOCUMENTS**

JP	1413002 S	5/2011
JP	1495795 S	4/2014

(Continued)

**OTHER PUBLICATIONS**

Office Action for U.S. Appl. No. 29/574,461, dated Feb. 28, 2017.  
(Continued)

*Primary Examiner* — Barbara Fox  
*Assistant Examiner* — Mary C Ramirez  
(74) *Attorney, Agent, or Firm* — Wolf, Greenfield & Sacks, P.C.

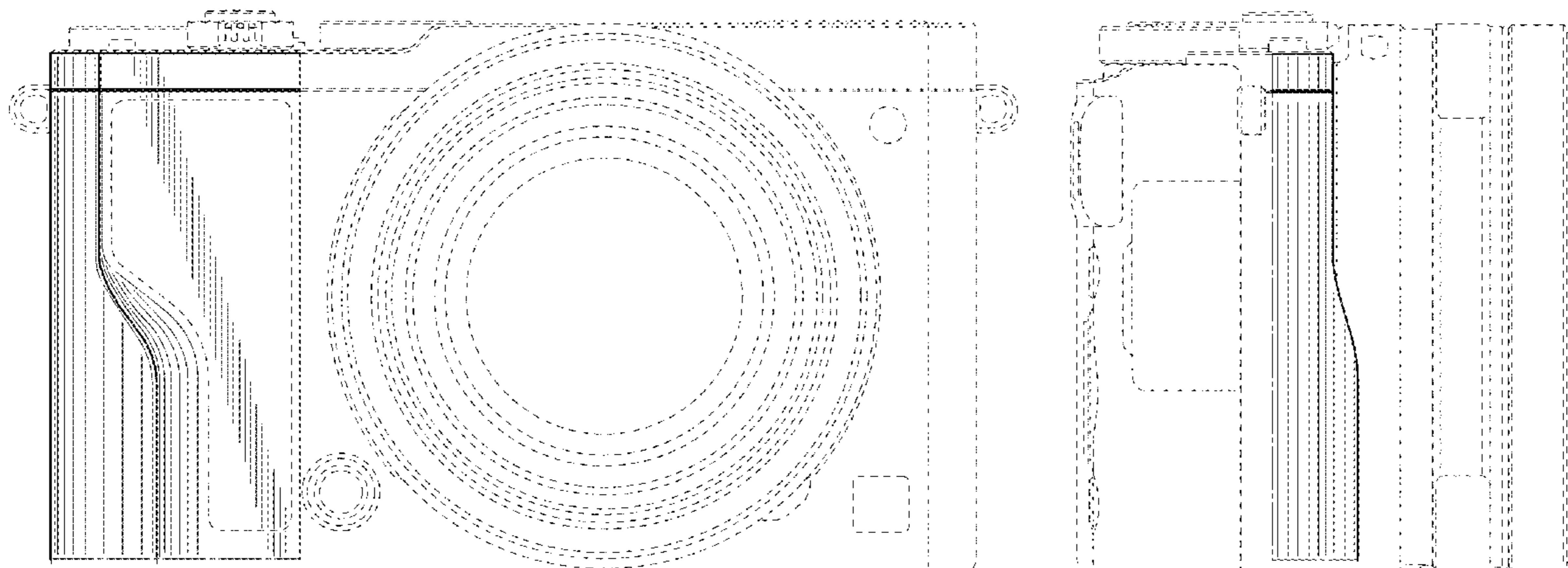
(57) **CLAIM**

The ornamental design for a digital camera, as shown and described.

**DESCRIPTION**

FIG. 1 is a perspective view of a digital camera showing our new design;  
FIG. 2 is a front elevational view thereof;  
FIG. 3 is a top plan view thereof; and,  
FIG. 4 is a left side elevational view thereof.  
The broken lines shown in the drawings depict portions of the digital camera that form no part of the claimed design. The dash-dotted lines denote the boundary of the claim and form no part of the claimed design.

**1 Claim, 4 Drawing Sheets**



(56)

References Cited

U.S. PATENT DOCUMENTS

D610,180 S \* 2/2010 Tainaka ..... D16/202  
 D631,496 S 1/2011 Tainaka  
 D633,934 S 3/2011 Funakoshi  
 D634,766 S \* 3/2011 Ham ..... D16/202  
 D647,552 S 10/2011 Ogasawara et al.  
 D657,408 S 4/2012 Tainaka  
 D669,518 S \* 10/2012 Nakamura ..... D16/202  
 D681,710 S 5/2013 Sato  
 D698,839 S 2/2014 Sato  
 D706,329 S 6/2014 Sakai  
 D716,862 S 11/2014 Hoshi  
 D719,993 S 12/2014 Soejima  
 D720,786 S 1/2015 Imamizu et al.  
 D727,990 S 4/2015 Sakai  
 D731,572 S 6/2015 Nohara et al.  
 D732,099 S \* 6/2015 Nagaoka ..... D16/202  
 D734,802 S \* 7/2015 Osada ..... D16/202  
 D777,233 S \* 1/2017 Sakai ..... D16/202  
 D779,574 S \* 2/2017 Nakajima ..... D16/202  
 D779,575 S \* 2/2017 Kobayashi ..... D16/202  
 D789,434 S \* 6/2017 Abe ..... D16/202  
 D795,324 S \* 8/2017 Sato ..... D16/202  
 2007/0070239 A1 \* 3/2007 Hirooka ..... H04N 5/2251  
 348/375  
 2007/0248356 A1 \* 10/2007 Toji ..... G03B 17/02  
 396/529  
 2008/0158384 A1 \* 7/2008 Okamoto ..... H04N 5/232  
 348/231.2

2008/0273097 A1\* 11/2008 Nagashima ..... G06K 9/3241  
 348/231.99

2011/0109790 A1 5/2011 Shinohara et al.  
 2011/0298970 A1 12/2011 Shinohara et al.  
 2013/0335623 A1 12/2013 Furuyama et al.

FOREIGN PATENT DOCUMENTS

JP 1535211 S 10/2015  
 WO D092158-001 \* 2/2017  
 WO D092158-002 \* 2/2017

OTHER PUBLICATIONS

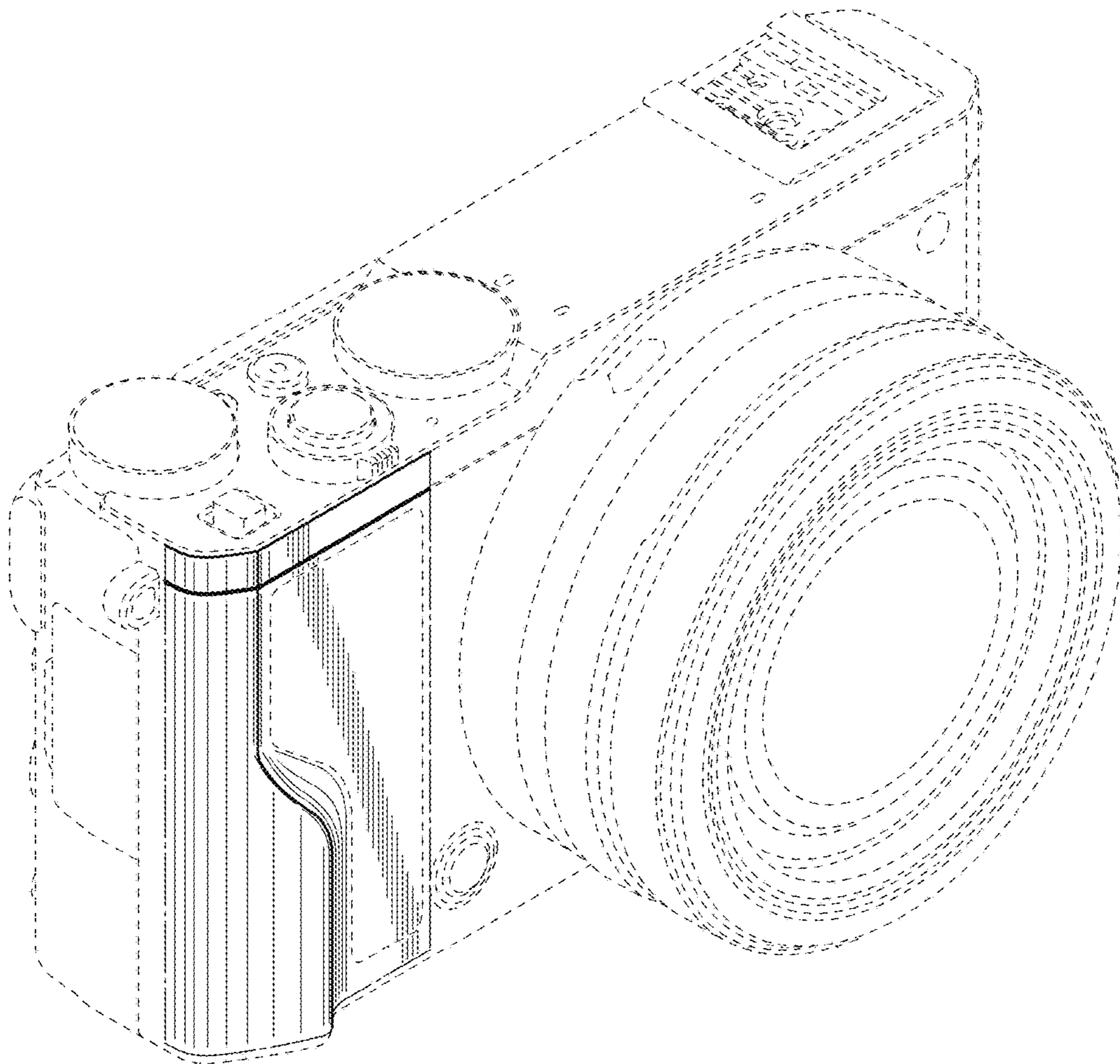
Web page of Canon, Press Release dated Feb. 17, 2016, "Take that camera to go! Canon U.S.A. launches compact Powershot G7 X Mark II and PowerShot SX720 HS digital cameras," pp. 1-2. <http://www.usa.canon.com/internet/portal/us/home/about/news-room/press-releases/press-release-details/2016/20160217-camera-powershot-g7xmarkii-sx720h/20160217-camera-powershot-g7xmarkii-sx720h>.

Web page of Sony Corporation, picture of AG-R1, attachment grip for a digital still camera, printed from the Internet on Aug. 2, 2016, pp. 1-4. <http://www.sony.jp/cyber-shot/products/AG-R1/image.html>.

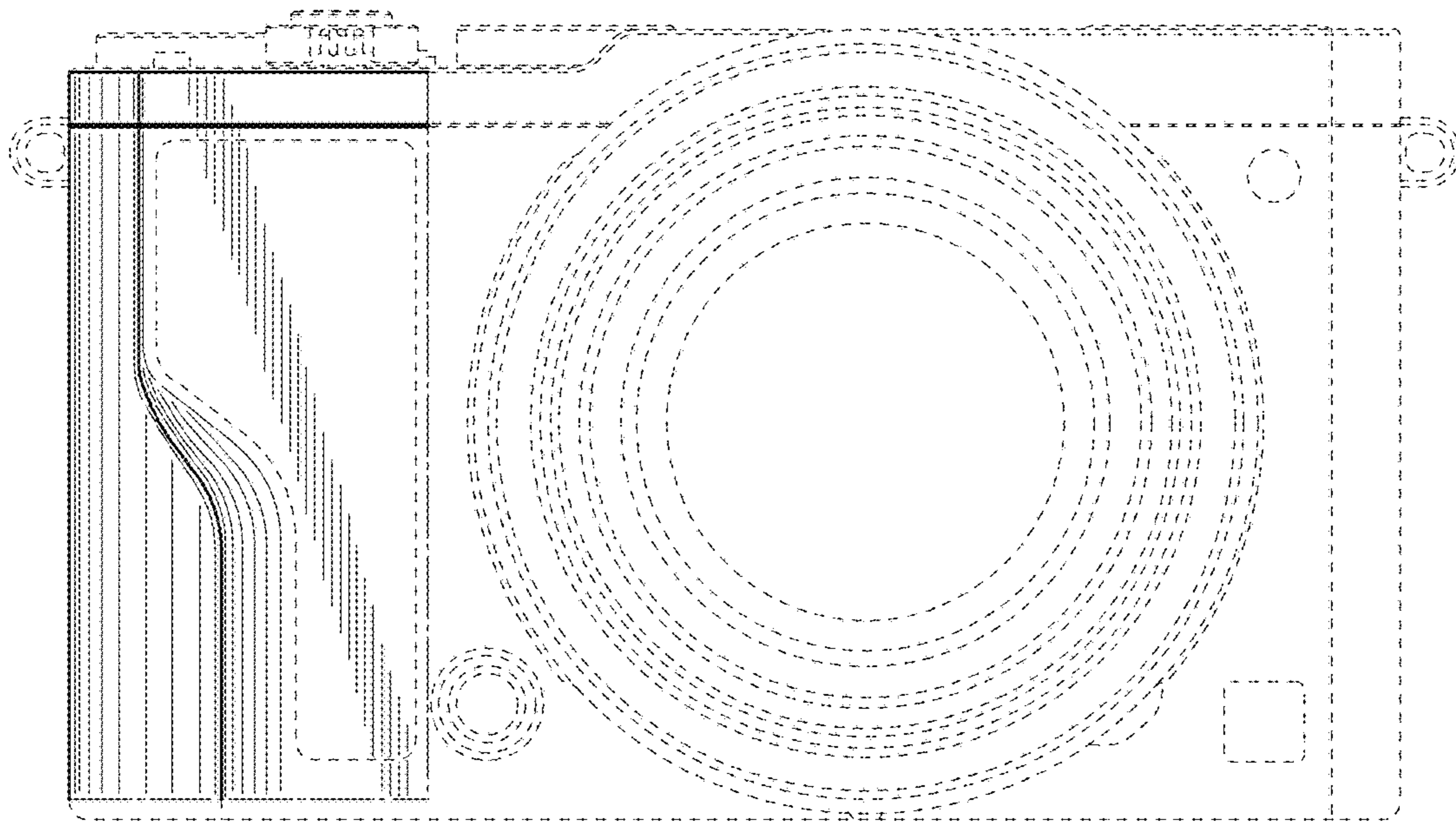
Web page of Sony Corporation, Press release dated Jun. 27, 2013 which introduces the launch of Cyber shot "RX100 II", printed from the Internet on Aug. 2, 2016, pp. 1-6. <http://www.sony.jp/CorporateCruise/Press/201306113-0627/>.

\* cited by examiner

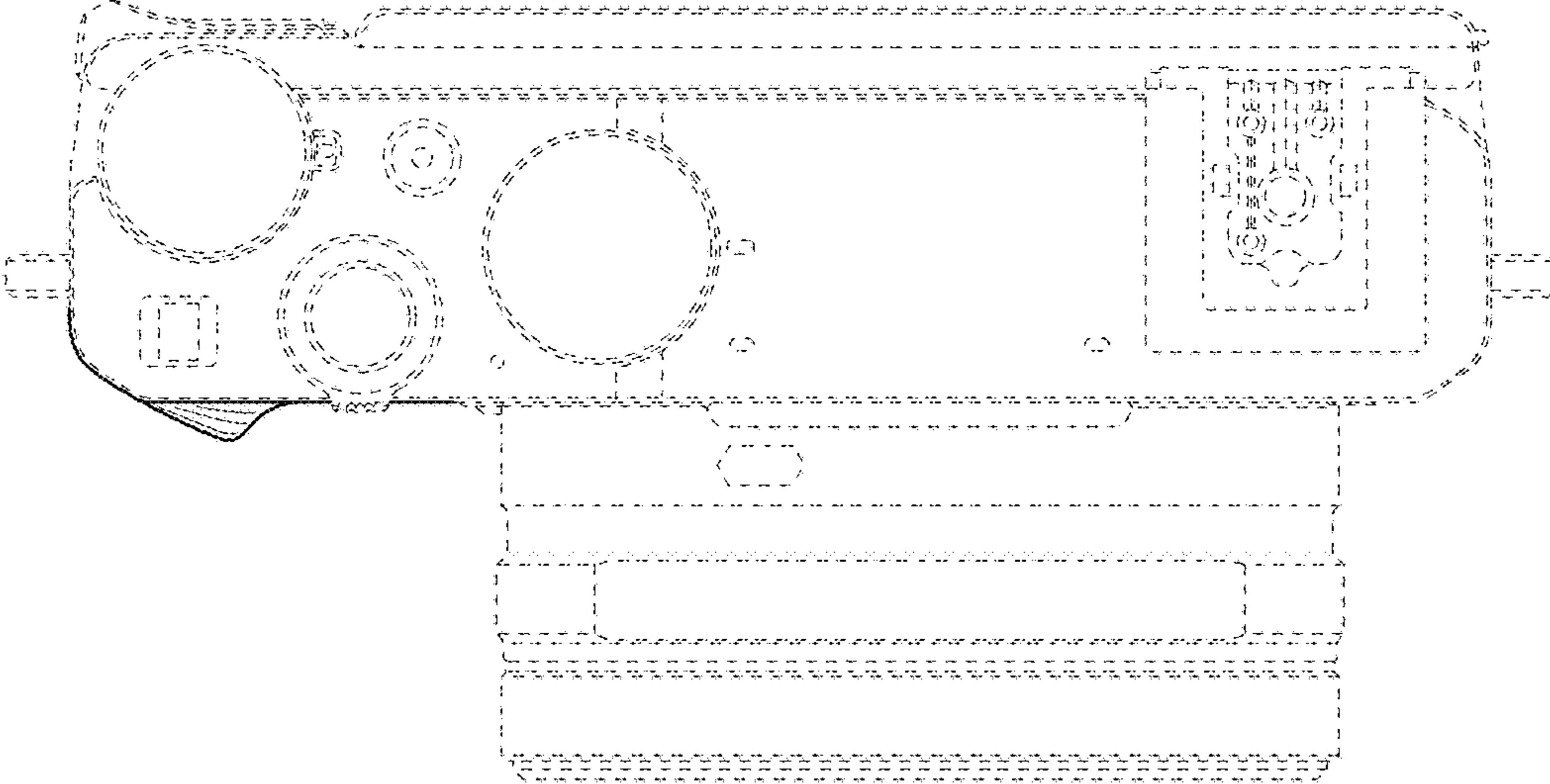
**FIG. 1**



**FIG. 2**



**FIG. 3**



**FIG. 4**

