



US00D810809S

(12) **United States Design Patent**  
**Miyashita**

(10) **Patent No.:** **US D810,809 S**  
(45) **Date of Patent:** **\*\* Feb. 20, 2018**

(54) **VIDEO CAMERA**

- (71) Applicant: **Sony Corporation**, Tokyo (JP)
- (72) Inventor: **Shin Miyashita**, Tokyo (JP)
- (73) Assignee: **SONY CORPORATION**, Tokyo (JP)
- (\*\*) Term: **14 Years**
- (21) Appl. No.: **29/455,190**
- (22) Filed: **May 17, 2013**

**Related U.S. Application Data**

- (63) Continuation of application No. 29/371,991, filed on Apr. 9, 2012, now abandoned, which is a continuation  
(Continued)

(30) **Foreign Application Priority Data**

- May 11, 2010 (JP) ..... D2010-011375
- May 11, 2010 (JP) ..... D2010-011376  
(Continued)

- (51) **LOC (11) Cl.** ..... **16-05**

- (52) **U.S. Cl.**  
USPC ..... **D16/219**

- (58) **Field of Classification Search**  
USPC ..... D16/134, 136, 200, 209, 218, 219,  
D16/202–206, 208; 348/373, 374;  
(Continued)

(56) **References Cited**

**U.S. PATENT DOCUMENTS**

- 3,940,777 A \* 2/1976 Komine ..... 396/529
- 4,740,058 A \* 4/1988 Horii et al. .... 359/827  
(Continued)

**FOREIGN PATENT DOCUMENTS**

- JP 63-057637 U 3/1988
- JP D897533 S 4/1994  
(Continued)

**OTHER PUBLICATIONS**

Web Page, “Degikame Watch”, [http://dc.watchimpress.co.jp/docs/news/20110323\\_434596.html](http://dc.watchimpress.co.jp/docs/news/20110323_434596.html), 3 sheets, Impress Watch Corporation, Mar. 23, 2011.

(Continued)

*Primary Examiner* — Philip S Hyder  
*Assistant Examiner* — Ramzi Almatrahi  
(74) *Attorney, Agent, or Firm* — Michael Best and Friedrich LLP

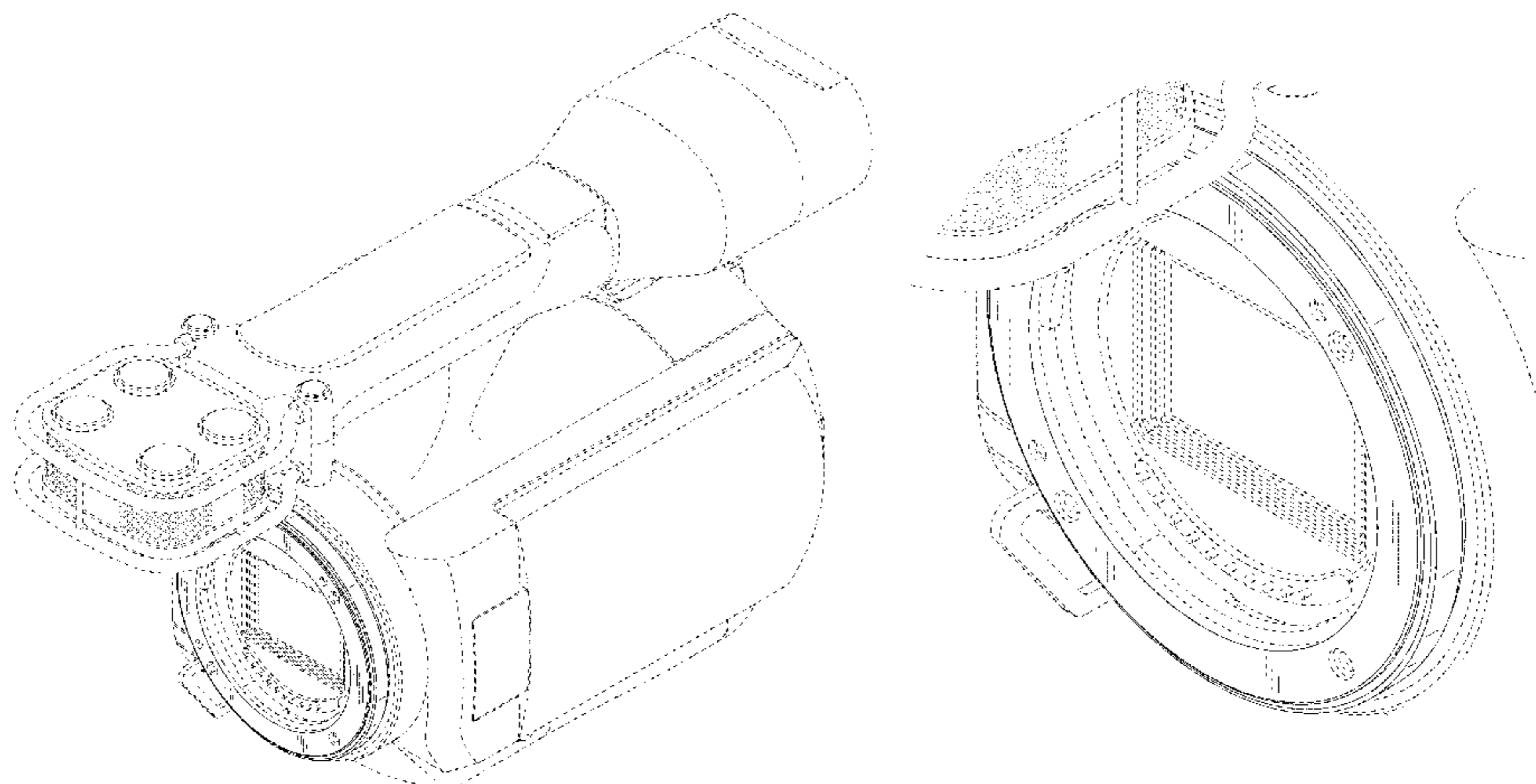
(57) **CLAIM**

The ornamental design for a video camera, as shown and described.

**DESCRIPTION**

FIG. 1 is a perspective view of a first embodiment of a video camera showing my new design;  
 FIG. 2 is a front elevational view thereof;  
 FIG. 3 is a left side elevational view thereof;  
 FIG. 4 is a right side elevational view thereof;  
 FIG. 5 is a top plan view thereof; and  
 FIG. 6 is a bottom plan view thereof.  
 FIG. 7 is a perspective view of a second embodiment of a video camera showing my new design;  
 FIG. 8 is a front elevational view thereof;  
 FIG. 9 is a left side elevational view thereof;  
 FIG. 10 is a right side elevational view thereof;  
 FIG. 11 is a top plan view thereof; and  
 FIG. 12 is a bottom plan view thereof.  
 FIG. 13 is a perspective view of a third embodiment of a video camera showing my new design;  
 FIG. 14 is a front elevational view thereof;  
 FIG. 15 is a left side elevational view thereof;  
 FIG. 16 is a right side elevational view thereof;  
 FIG. 17 is a top plan view thereof; and  
 FIG. 18 is a bottom plan view thereof.  
 FIG. 19 is a partially enlarged perspective view of FIG. 1 wherein the claimed portion is shown; and  
 FIG. 20 is a partially enlarged perspective view of FIG. 7 wherein the claimed portion is shown.

(Continued)



The broken lines illustrate portions of the video camera and form no part of the claimed design.

**1 Claim, 18 Drawing Sheets**

**Related U.S. Application Data**

of application No. 29/371,171, filed on Nov. 10, 2010, now Pat. No. Des. 667,039, and a continuation of application No. 29/371,609, filed on May 16, 2011, now Pat. No. Des. 657,409.

(30) **Foreign Application Priority Data**

May 11, 2010 (JP) ..... D2010-011415  
 May 11, 2010 (JP) ..... D2010-011416  
 May 11, 2010 (JP) ..... D2010-011523  
 May 11, 2010 (JP) ..... D2010-011524  
 May 11, 2010 (JP) ..... D2010-011525  
 Nov. 16, 2010 (JP) ..... D201 0-027587

(58) **Field of Classification Search**

USPC ..... 359/819, 826-828; 396/529-535, 540, 396/541  
 CPC . G02B 7/02; G02B 7/04; G03B 11/04; G03B 17/02; G03B 15/03; G03B 17/04; G03B 17/56; G03B 19/04; H04N 5/2251; H04N 5/2252; H04N 5/2253; H04N 5/2254; H04N 2101/00

See application file for complete search history.

(56) **References Cited**

U.S. PATENT DOCUMENTS

5,032,919 A 7/1991 Randmae  
 5,218,484 A \* 6/1993 Terai ..... 359/827  
 5,221,964 A 6/1993 Chamberlain et al.  
 D400,202 S 10/1998 Kikutani  
 D447,500 S 9/2001 Funato  
 D452,861 S 1/2002 Ogasawara  
 D461,360 S 8/2002 Bossler  
 D466,499 S 12/2002 Nakano  
 D467,951 S 12/2002 Tanaka

D471,201 S 3/2003 Tsukuda  
 6,580,571 B2 \* 6/2003 Sasaki et al. .... 396/131  
 D493,456 S 7/2004 Ogasawara  
 6,783,286 B2 8/2004 Maeda et al.  
 6,809,773 B1 10/2004 Watarai et al.  
 D501,660 S 2/2005 Kumano  
 D508,065 S 8/2005 Dow et al.  
 D510,737 S 10/2005 Yokota  
 D528,576 S 9/2006 Chung et al.  
 D542,332 S 5/2007 Miyahara  
 D550,265 S 9/2007 Goto  
 D559,247 S 1/2008 Kawase  
 D559,879 S 1/2008 Sumita  
 D559,880 S 1/2008 Sumita  
 D565,081 S 3/2008 Ishikawa  
 7,391,581 B2 \* 6/2008 Ito ..... 359/827  
 D574,027 S 7/2008 Miyazaki  
 D585,900 S 2/2009 Kumano  
 D586,834 S 2/2009 Andrews et al.  
 D586,836 S 2/2009 Liow et al.  
 7,522,834 B2 4/2009 Heaven et al.  
 D592,231 S 5/2009 Schnell  
 D596,217 S 7/2009 Kim et al.  
 D621,435 S 8/2010 Green et al.  
 D648,363 S \* 11/2011 Takagi et al. .... D16/219  
 8,075,206 B2 \* 12/2011 Koyama ..... 396/529  
 D654,943 S 2/2012 Ogasawara et al.  
 D655,325 S 3/2012 Nojima et al.  
 D657,409 S \* 4/2012 Miyashita ..... D16/203  
 D657,811 S \* 4/2012 Woodman ..... D16/219  
 D684,208 S \* 6/2013 Lee ..... D16/219  
 8,454,250 B2 \* 6/2013 Yamamoto ..... 396/531  
 8,564,893 B2 \* 10/2013 Sugita ..... 359/819  
 D697,542 S \* 1/2014 Kim ..... D16/219  
 8,830,606 B2 \* 9/2014 Imafuji et al. .... 359/827

FOREIGN PATENT DOCUMENTS

JP 09-211645 A 8/1997  
 JP D1131140 S 1/2002  
 JP D1286721 S 11/2006  
 JP D1299636 S 5/2007

OTHER PUBLICATIONS

Web Page, "Sony HandyCam", [http://sony.jp/handycam/products/NEX-VG20/feature\\_2.html#L1\\_70](http://sony.jp/handycam/products/NEX-VG20/feature_2.html#L1_70), 5 sheet, Sony Corporation.

\* cited by examiner

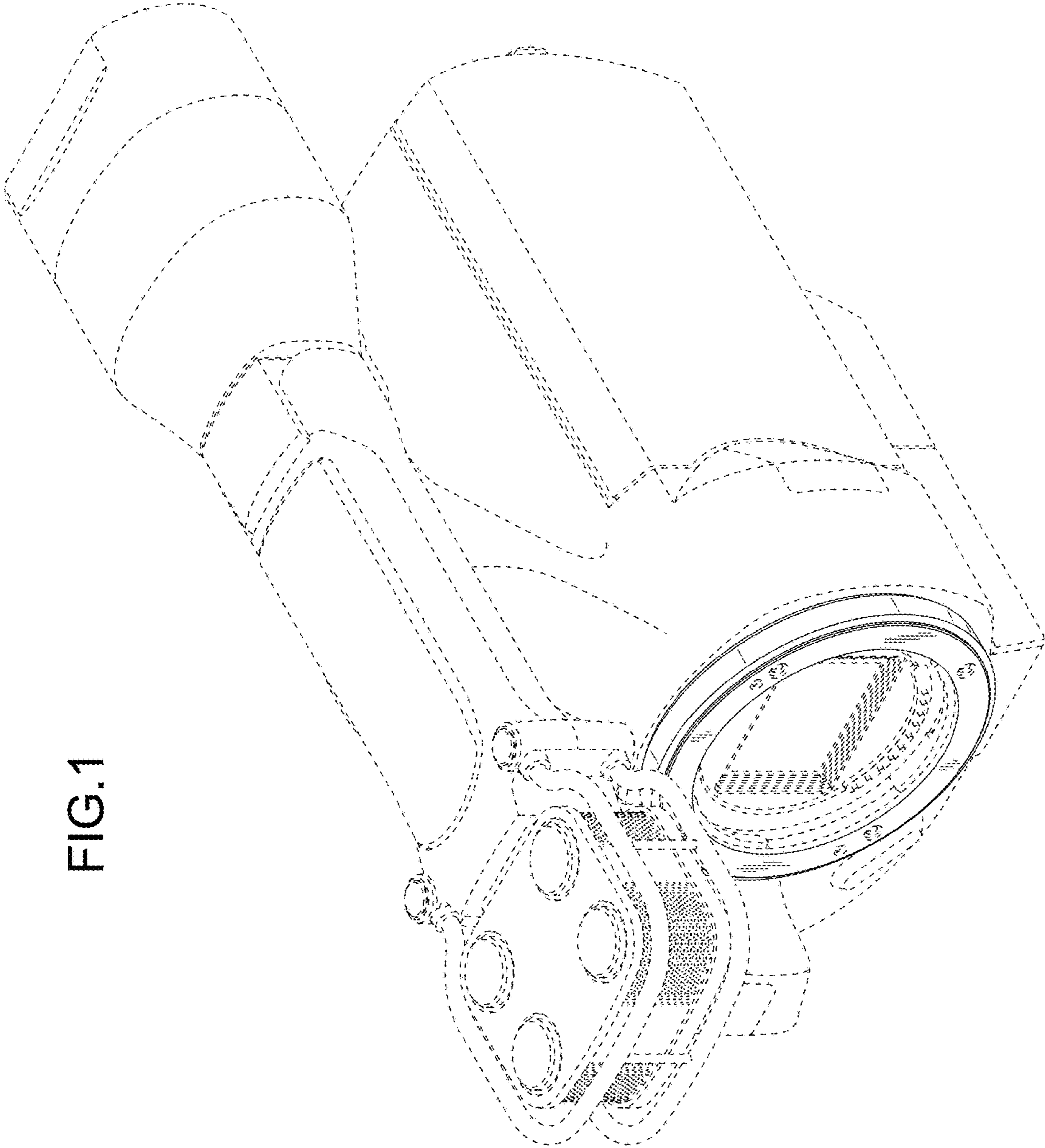


FIG.1

FIG.2

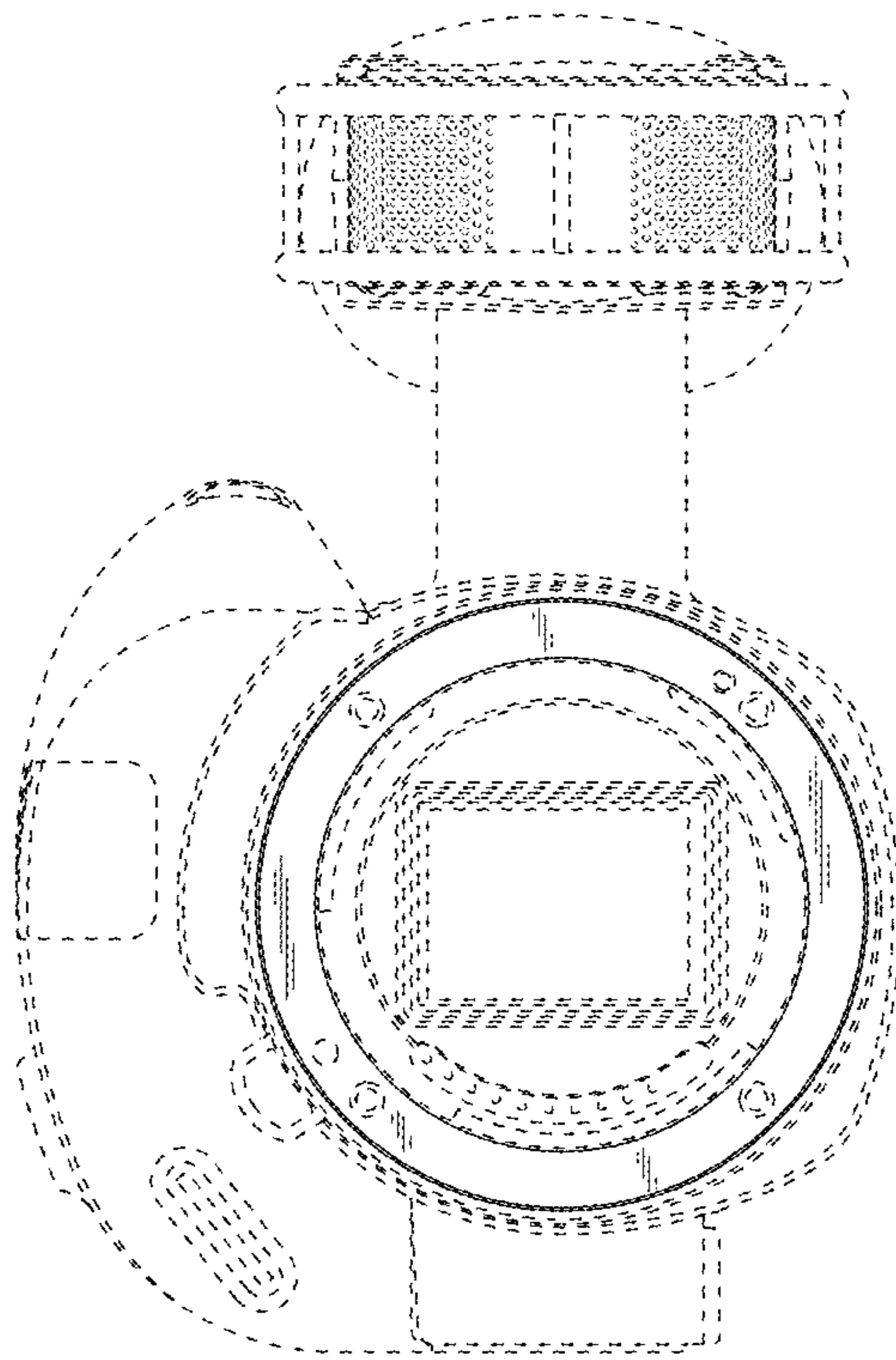


FIG.3

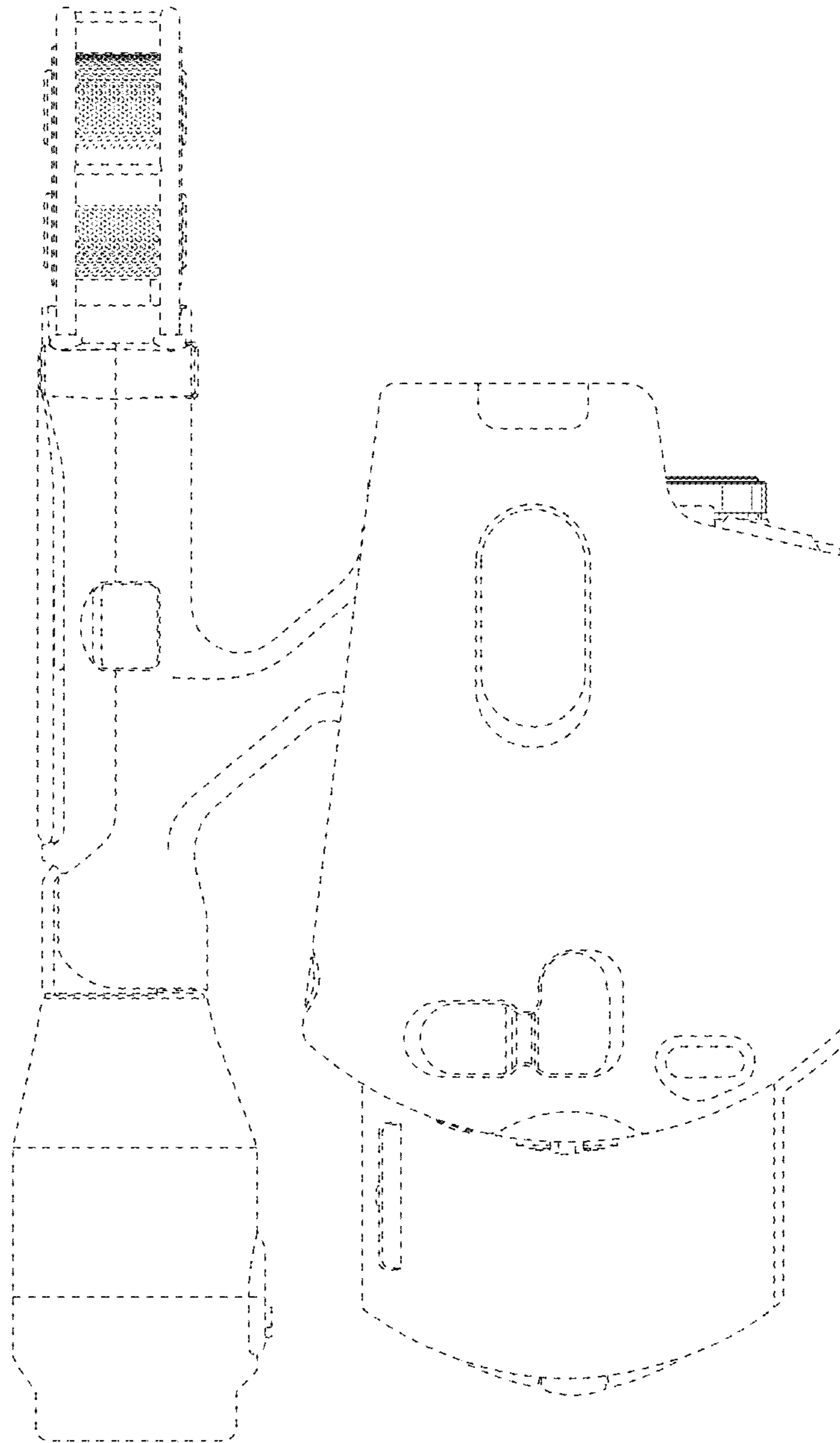


FIG.4

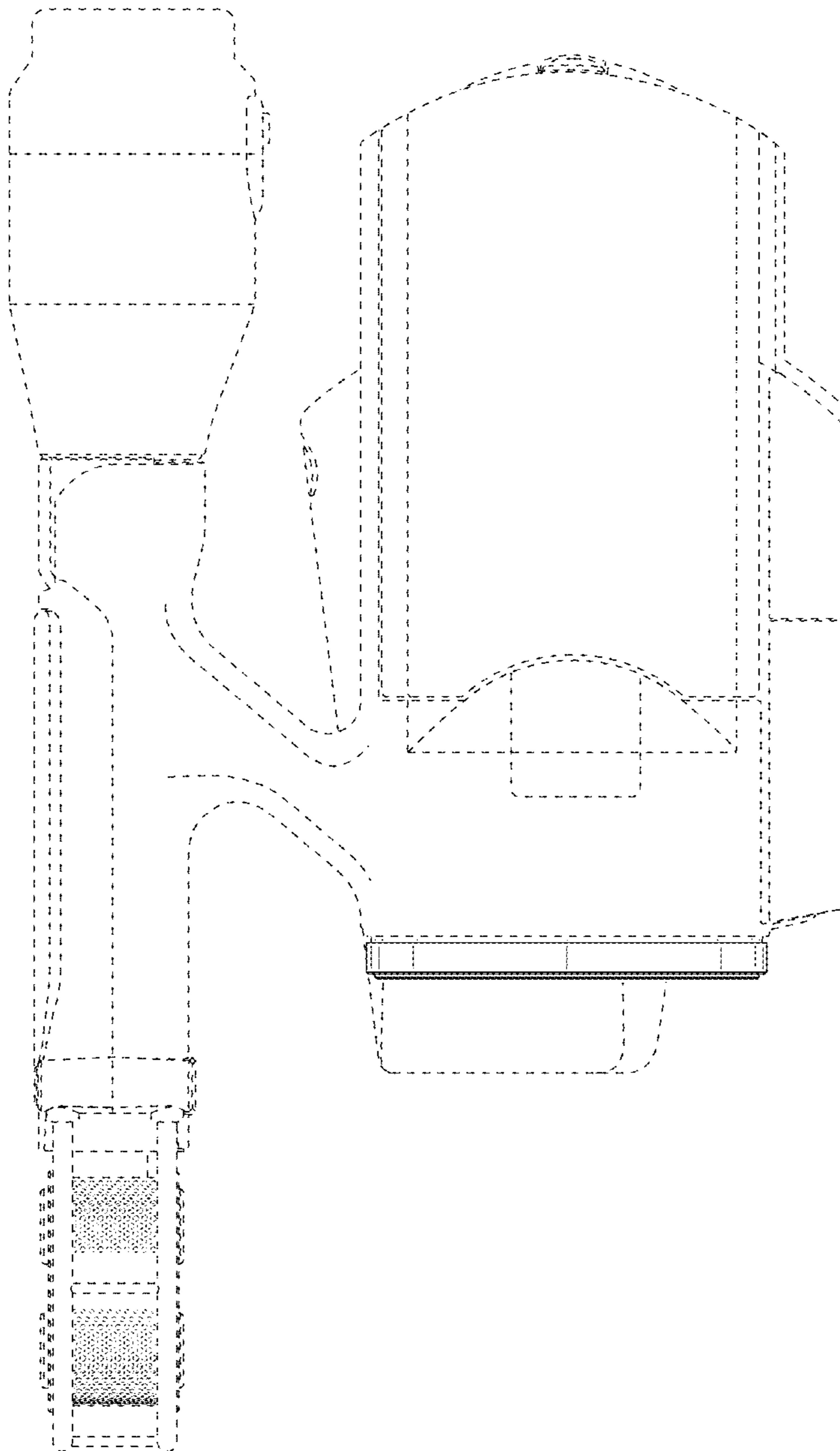


FIG.5

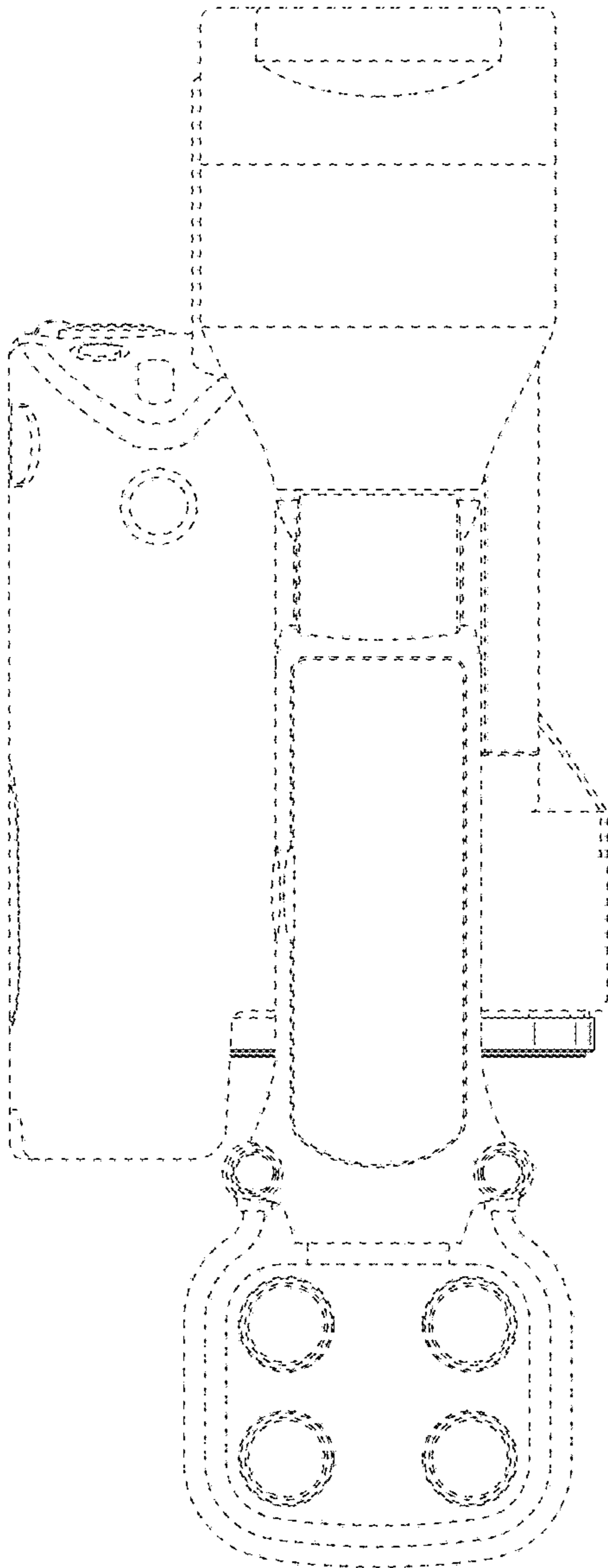


FIG.6

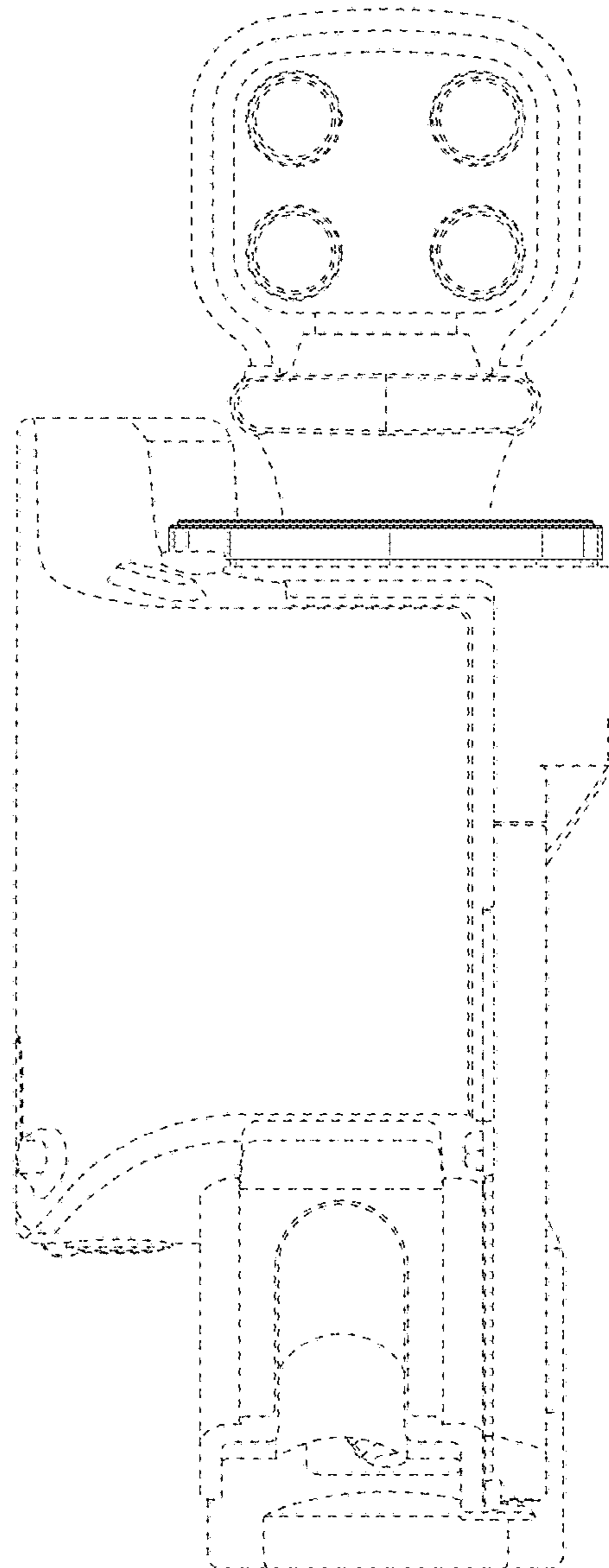


FIG.7

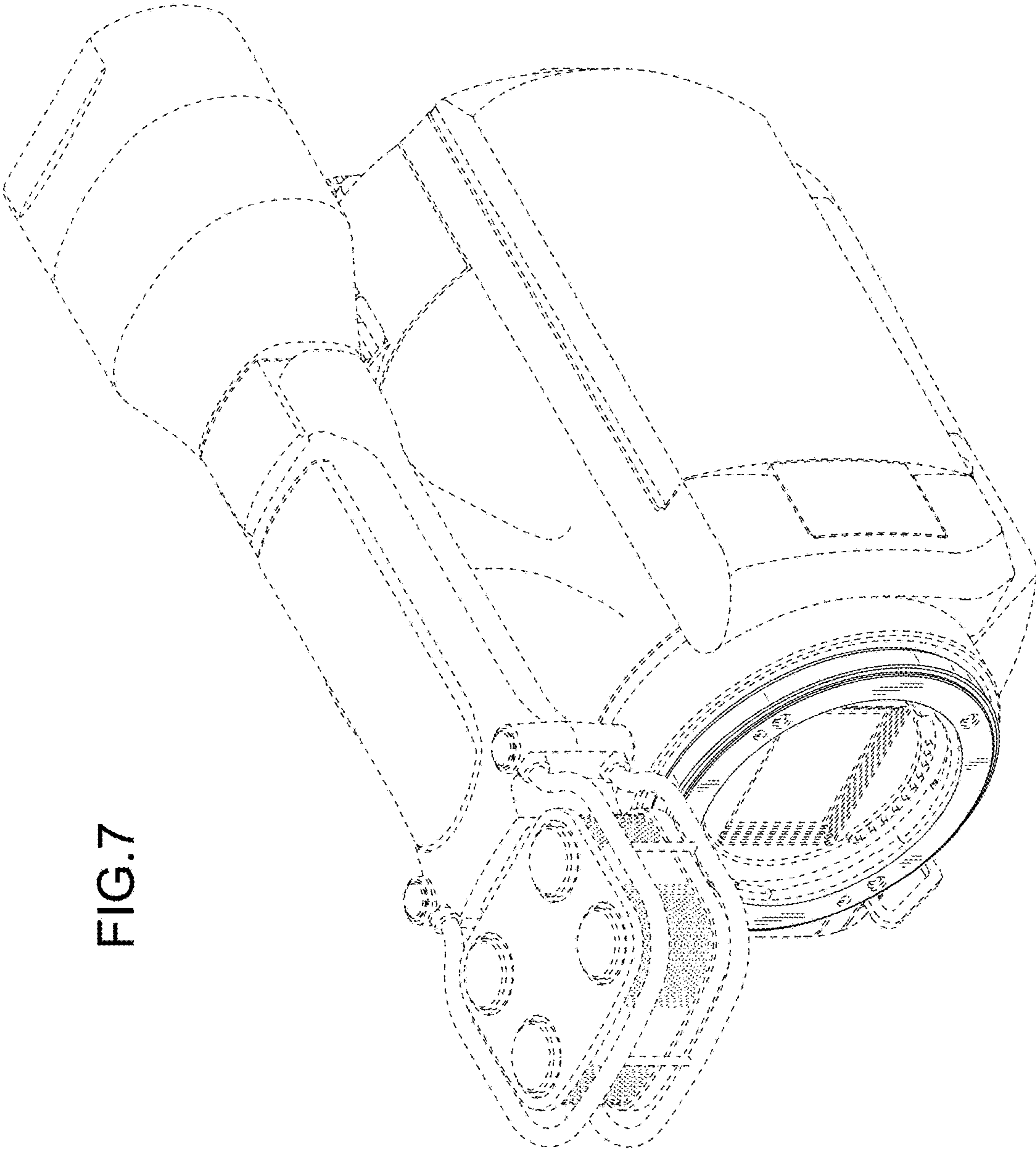




FIG.8

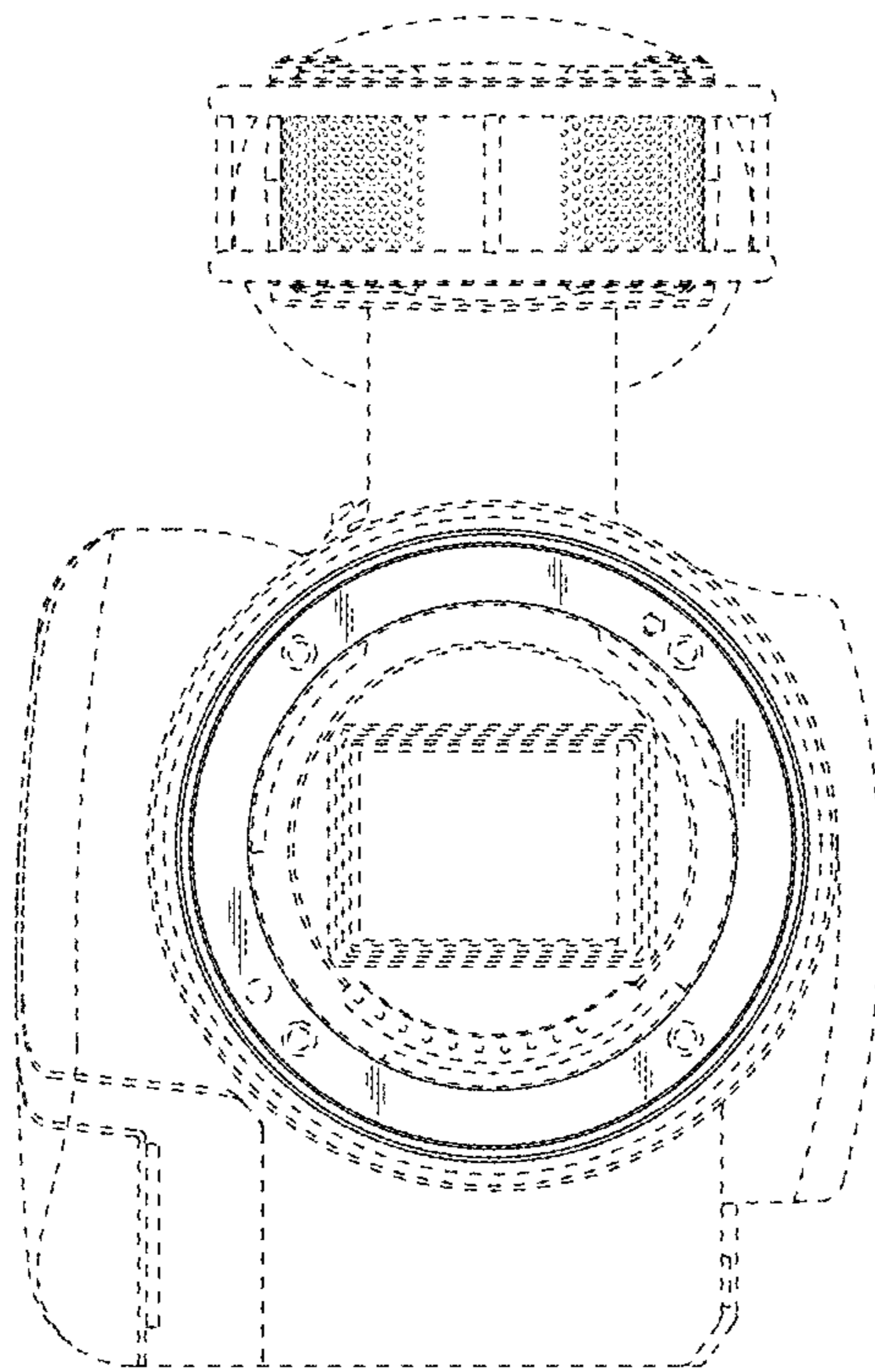
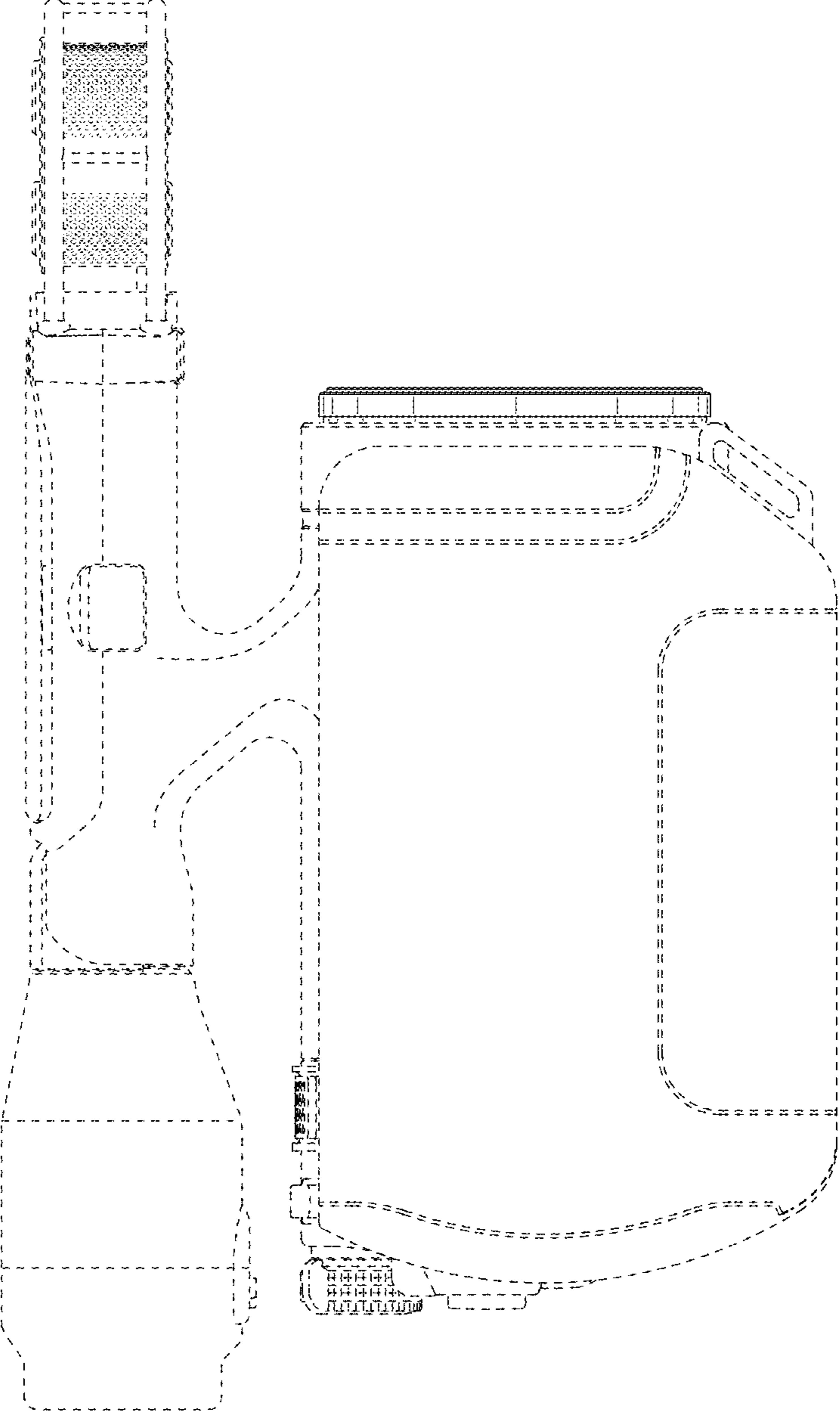


FIG.9



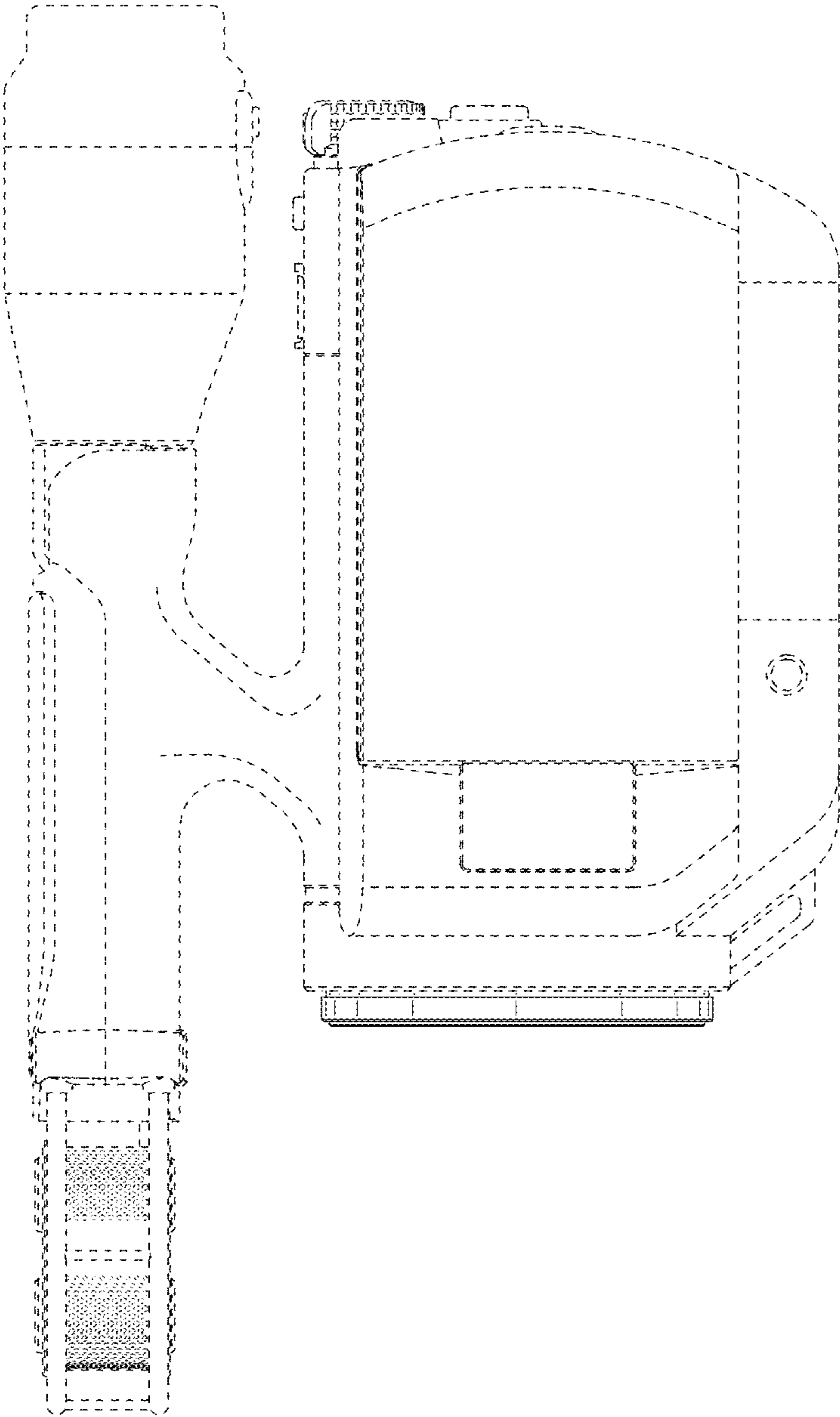


FIG.10

FIG.11

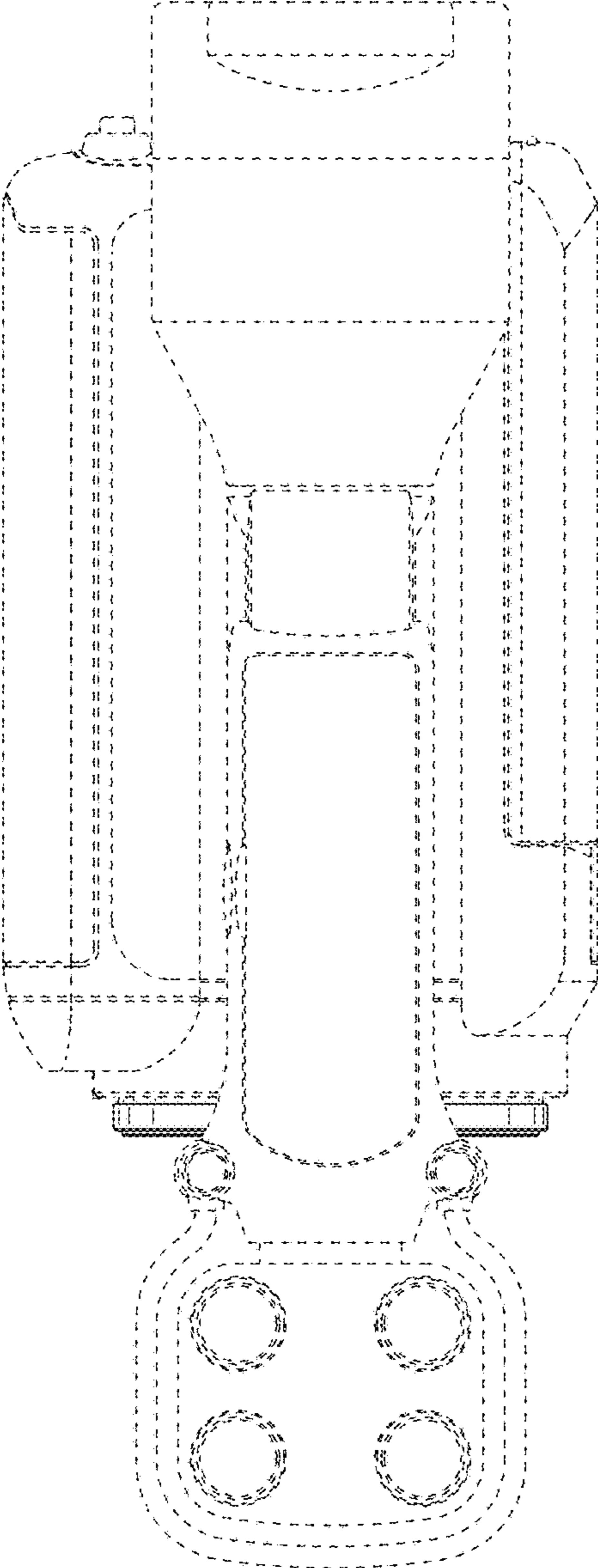
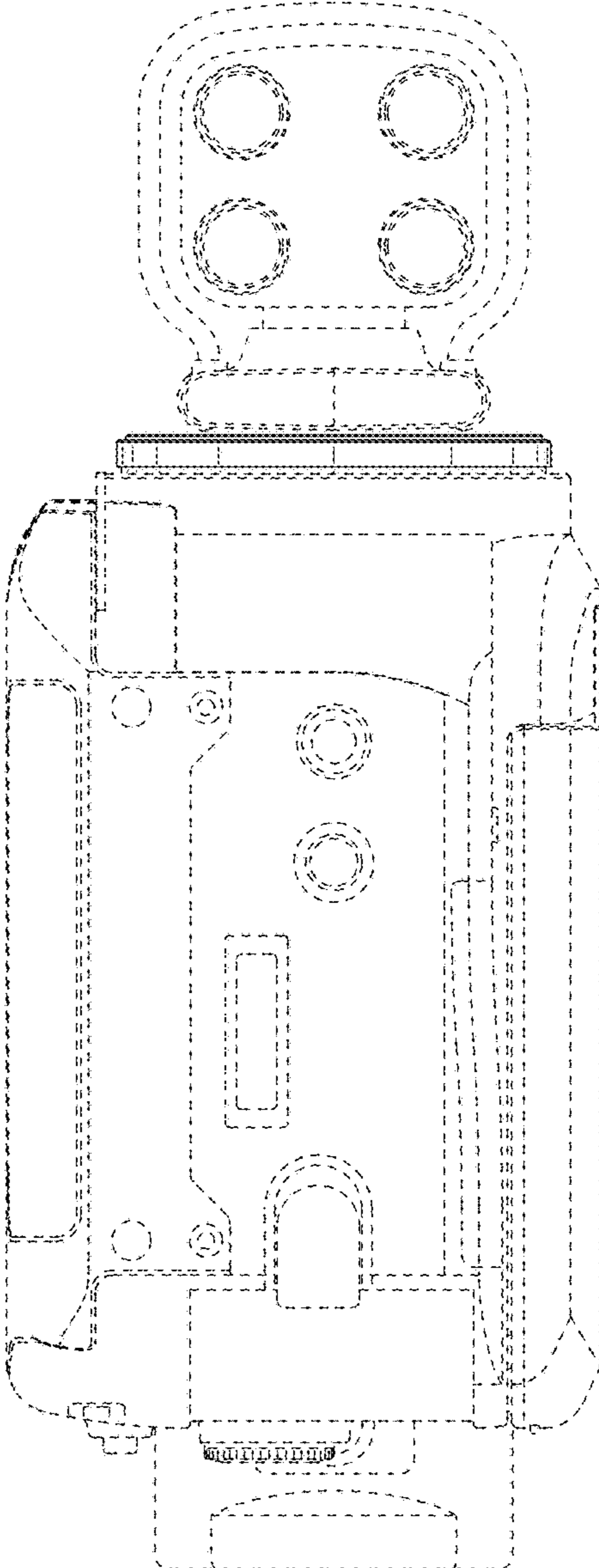


FIG.12



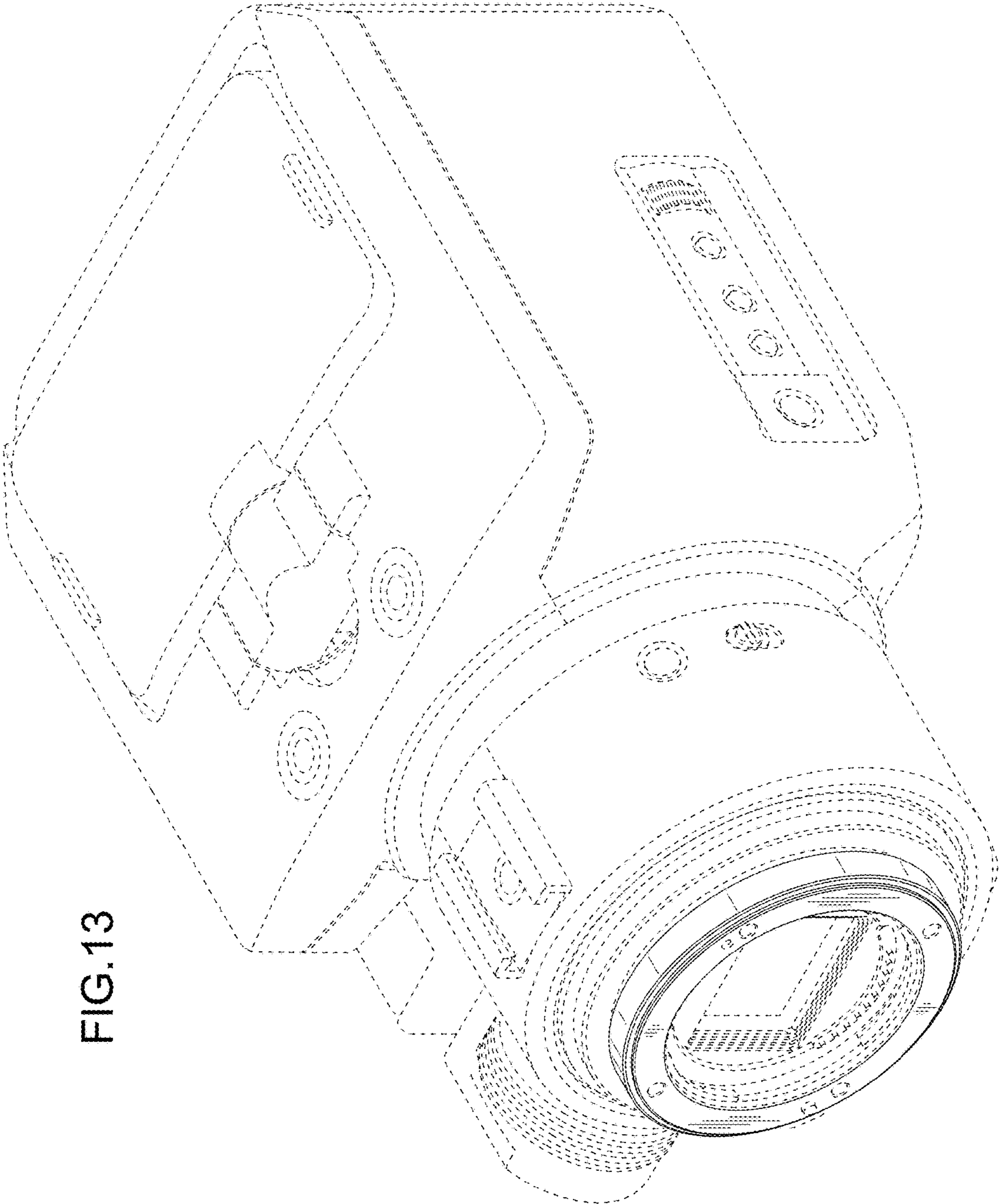


FIG.13

FIG.14

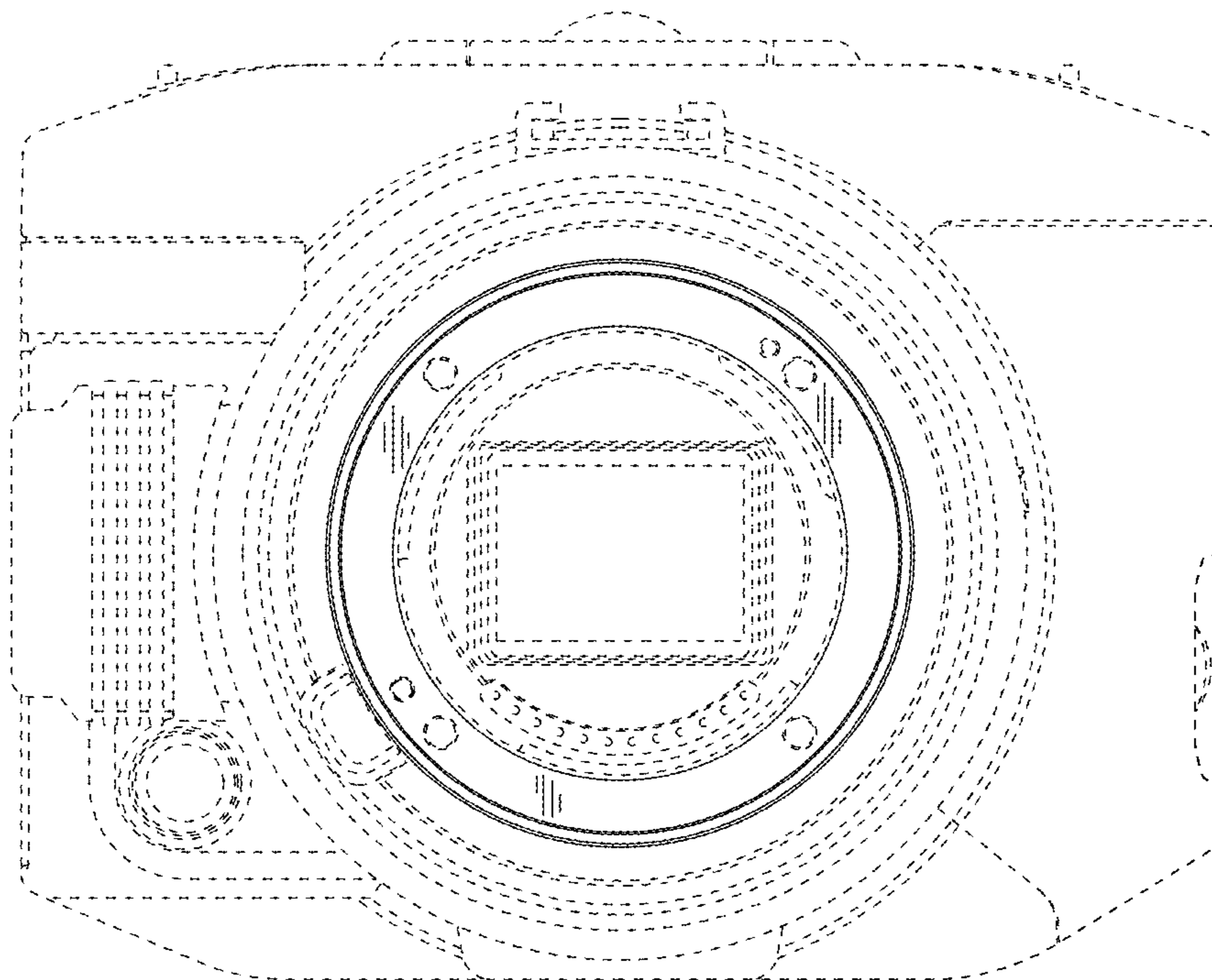


FIG.15

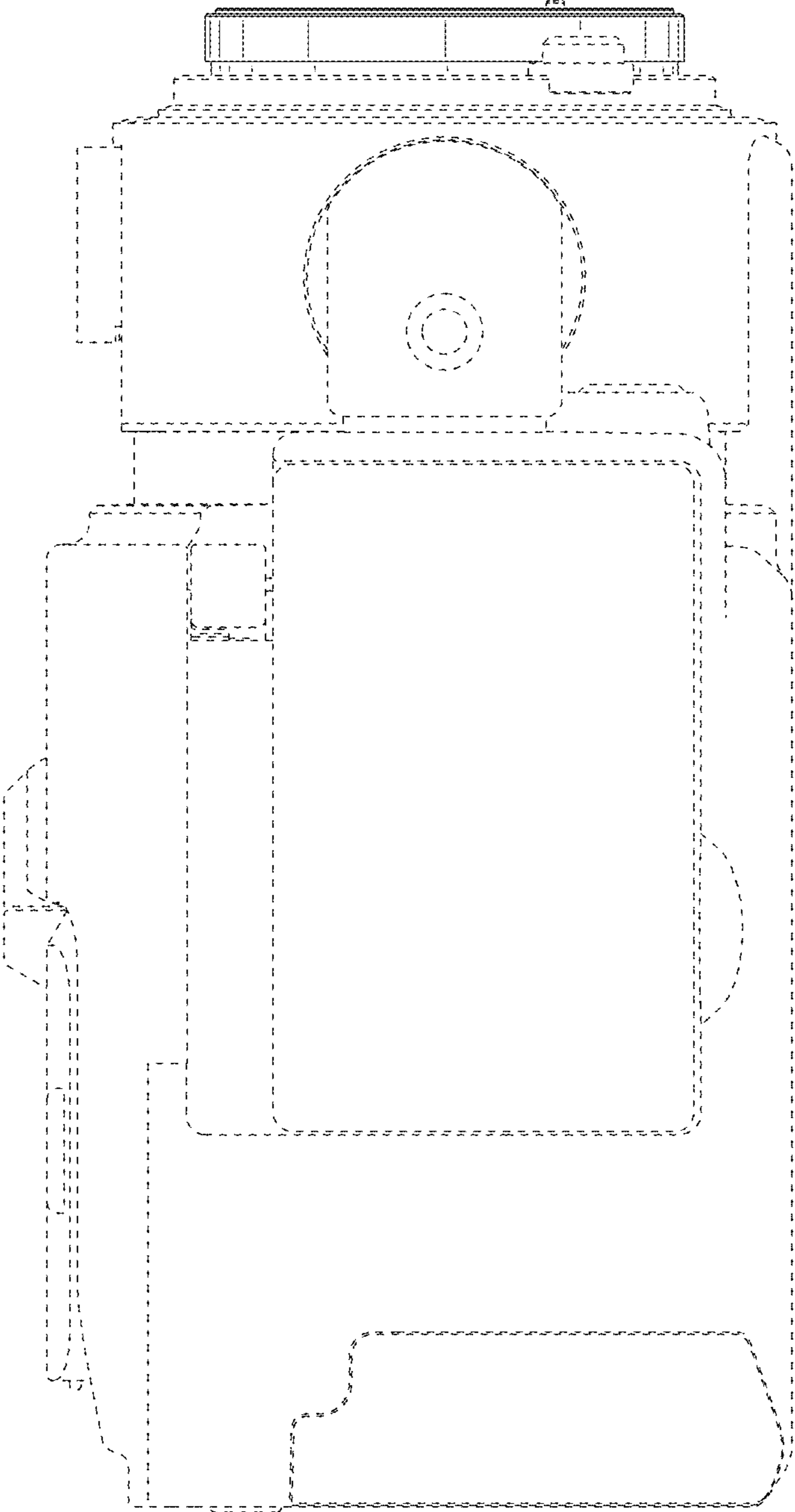


FIG.16

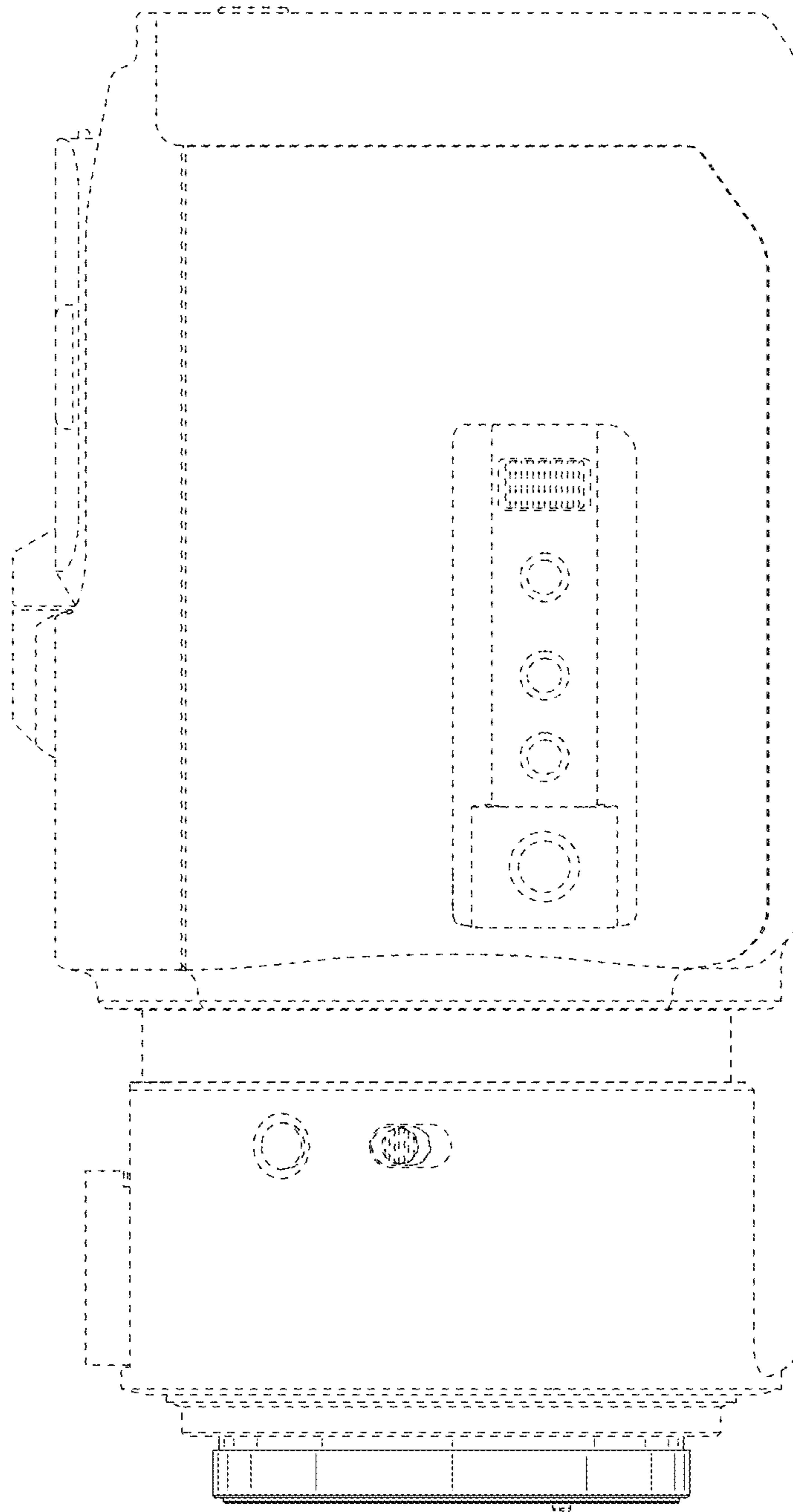




FIG.17

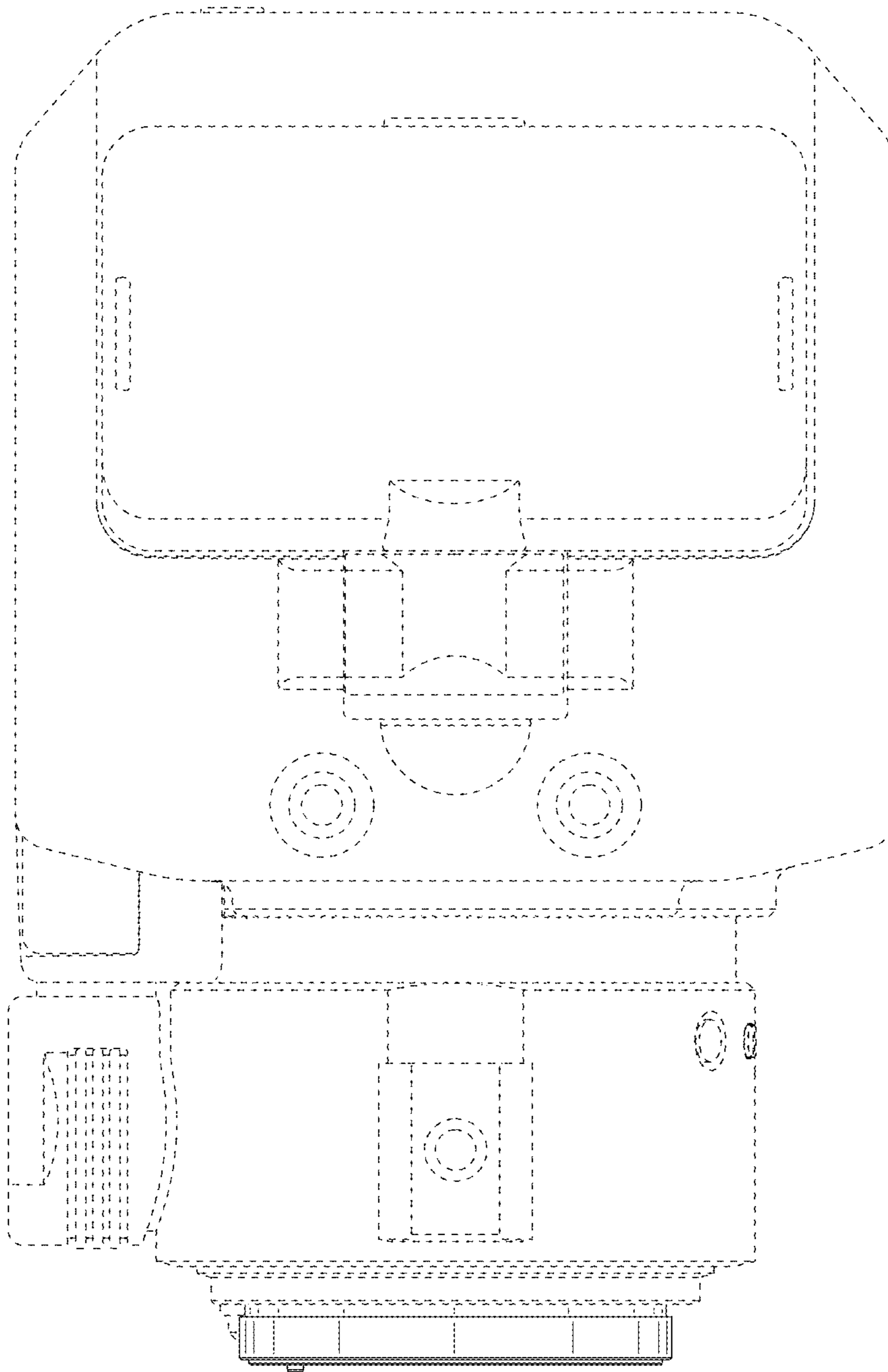


FIG.18

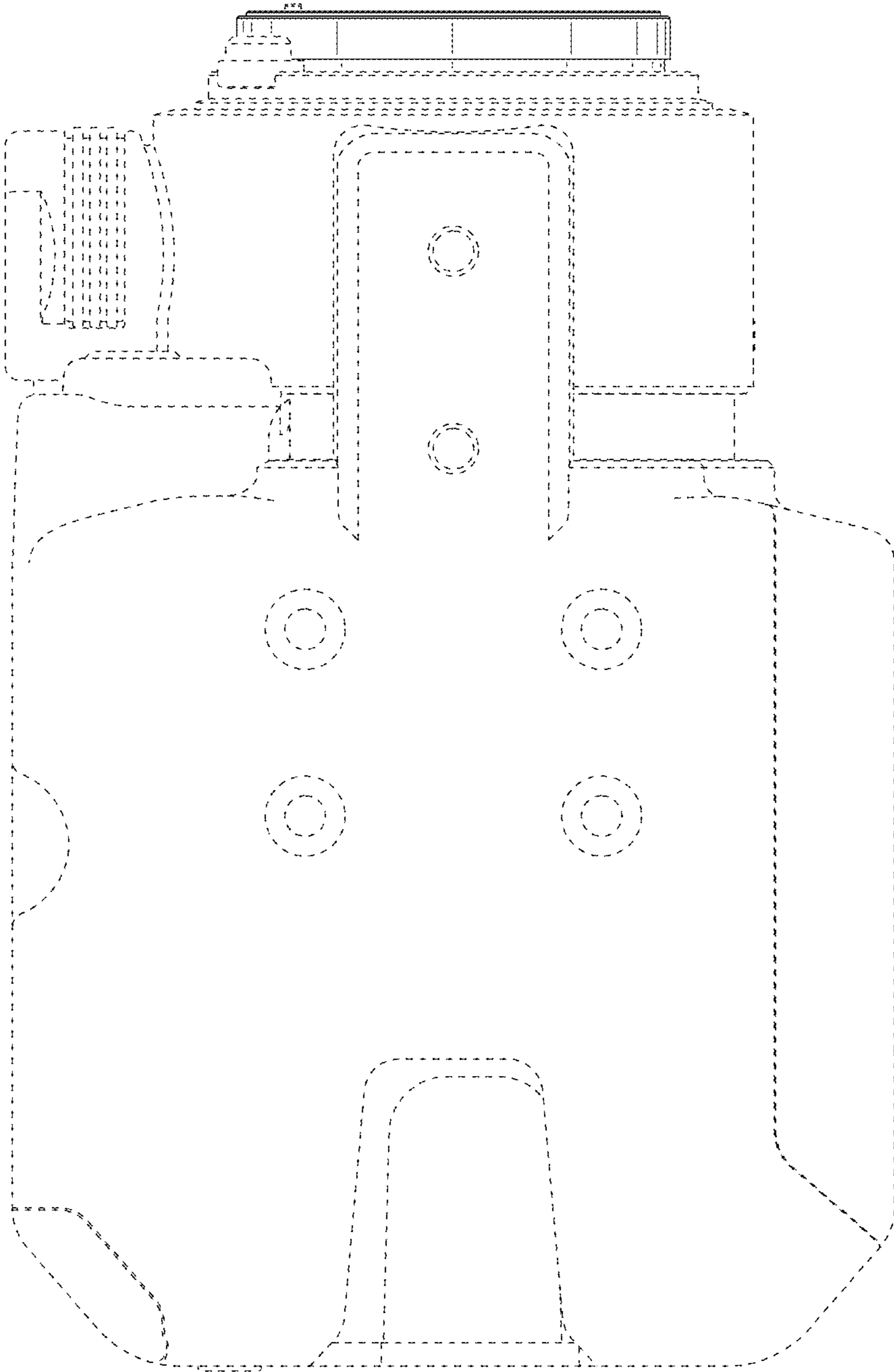


FIG.19

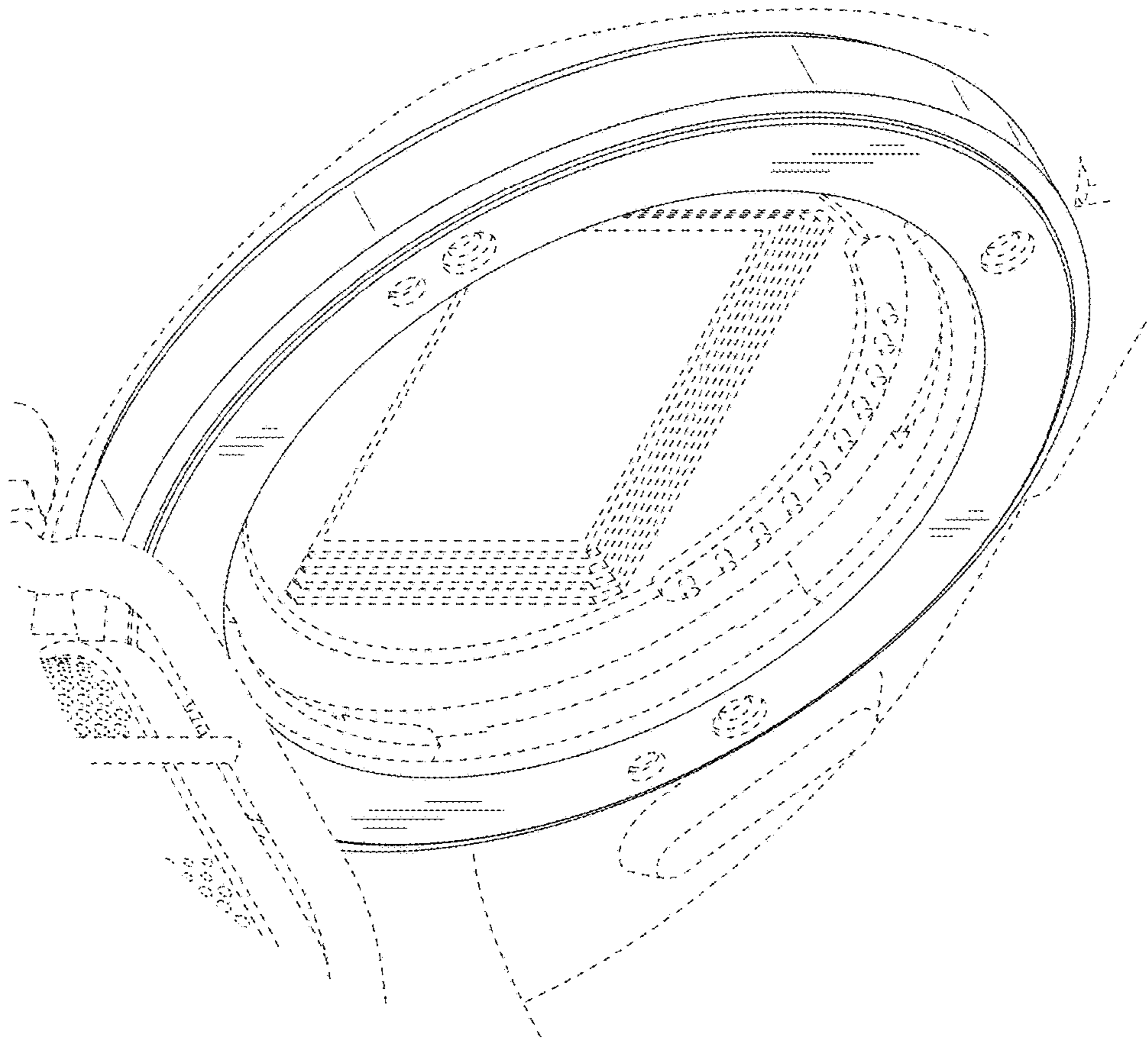


FIG.20

