



US00D810806S

(12) **United States Design Patent**  
**Kim et al.**

(10) **Patent No.:** **US D810,806 S**  
(45) **Date of Patent:** **\*\* Feb. 20, 2018**

- (54) **CAMERA WITH HANDLE**
- (71) Applicant: **SZ DJI Osmo Technology Co., Ltd.**,  
Shenzhen (CN)
- (72) Inventors: **Min Kim**, Shenzhen (CN); **Haibin Zheng**, Shenzhen (CN)
- (73) Assignee: **SZ DJI Osmo Technology Co., Ltd.**,  
Shenzhen (CN)
- (\*\*) Term: **15 Years**
- (21) Appl. No.: **29/548,624**
- (22) Filed: **Dec. 15, 2015**
- (51) **LOC (11) Cl.** ..... **16-01**
- (52) **U.S. Cl.**  
USPC ..... **D16/206; D16/202**
- (58) **Field of Classification Search**  
USPC ..... D16/200, 202–206, 208, 211, 214, 218,  
D16/219, 237, 242, 244; D14/130, 132,  
D14/144; D10/104.1, 104.2, 106.1,  
D10/106.2, 106.5; 348/164, 347,  
348/373–376; 396/535, 539–541;  
250/330, 332  
CPC ..... G03B 15/00; G03B 15/03; G03B 17/02;  
G03B 17/04; G03B 17/56; G03B 19/04;  
H04N 5/2251; H04N 5/2252; H04N  
5/2253; H04N 5/2254; H04N 2101/00;  
F16M 11/04; F16M 13/00  
See application file for complete search history.

- 8,770,539 B1 \* 7/2014 Hsu ..... B60R 11/0241  
248/126
- D710,424 S \* 8/2014 Hallgren ..... D16/206
- D732,601 S \* 6/2015 Coyle ..... D16/237
- D738,951 S \* 9/2015 Coyle ..... D16/237
- 9,264,599 B2 \* 2/2016 Reid ..... F16M 11/00
- D754,242 S \* 4/2016 Wang ..... D16/242
- D771,733 S \* 11/2016 Wang ..... D16/242

(Continued)

**FOREIGN PATENT DOCUMENTS**

- CN 302290466 1/2013
- CN 302661804 11/2013
- CN 302944108 9/2014

(Continued)

*Primary Examiner* — Philip S Hyder  
*Assistant Examiner* — Ramzi Almatrahi  
 (74) *Attorney, Agent, or Firm* — Sterne, Kessler,  
 Goldstein & Fox P.L.L.C.

(57) **CLAIM**

The ornamental design for a camera with handle, as shown and described.

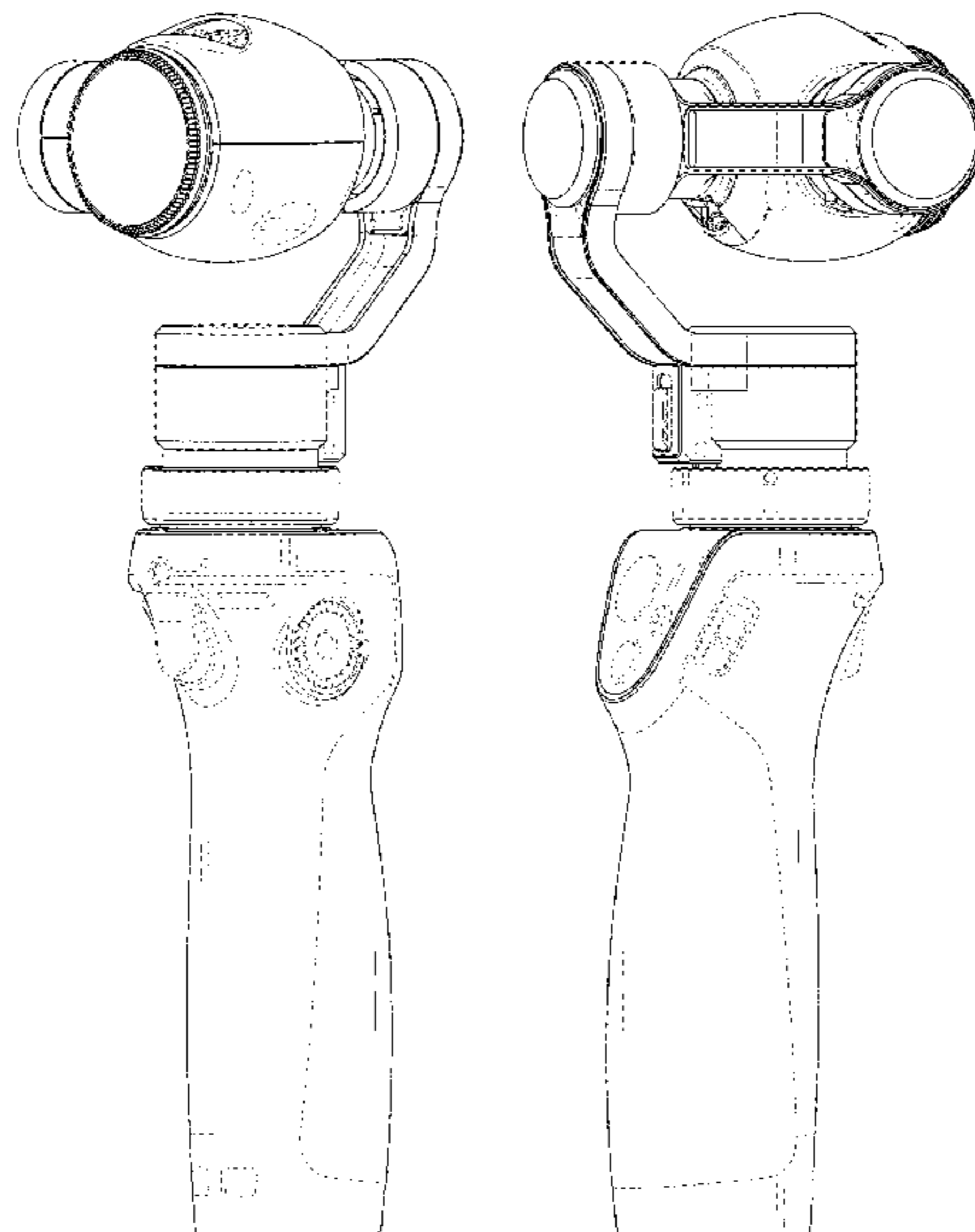
**DESCRIPTION**

FIG. 1 is a front perspective view of a camera with handle showing the claimed design;  
 FIG. 2 is a rear perspective view thereof;  
 FIG. 3 is a rear view thereof;  
 FIG. 4 is a front view thereof;  
 FIG. 5 is a left side view thereof;  
 FIG. 6 is a right side view thereof;  
 FIG. 7 is a top view thereof; and,  
 FIG. 8 is a bottom view thereof.

The broken lines in the figures show portions of the camera and handle that form no part of the claimed design.  
 The dot-dash broken lines in the figures show boundaries of the camera with handle that form no part of the claimed design.

**1 Claim, 7 Drawing Sheets**

- (56) **References Cited**  
U.S. PATENT DOCUMENTS
- D445,817 S \* 7/2001 Okuley ..... D16/202
- D575,322 S \* 8/2008 Aiba ..... D16/203
- D590,867 S \* 4/2009 Schenone ..... D16/206
- D649,175 S \* 11/2011 Willis ..... D16/242
- D694,802 S \* 12/2013 Coyle ..... D16/237



(56)

**References Cited**

U.S. PATENT DOCUMENTS

D780,245 S \* 2/2017 Ruback ..... D16/206

FOREIGN PATENT DOCUMENTS

CN	302030830	8/2015
CN	303320442	8/2015
CN	303320443	8/2015
CN	303320444	8/2015
CN	303480322	12/2015
CN	303572923	1/2016
JP	D1273670	6/2006

\* cited by examiner

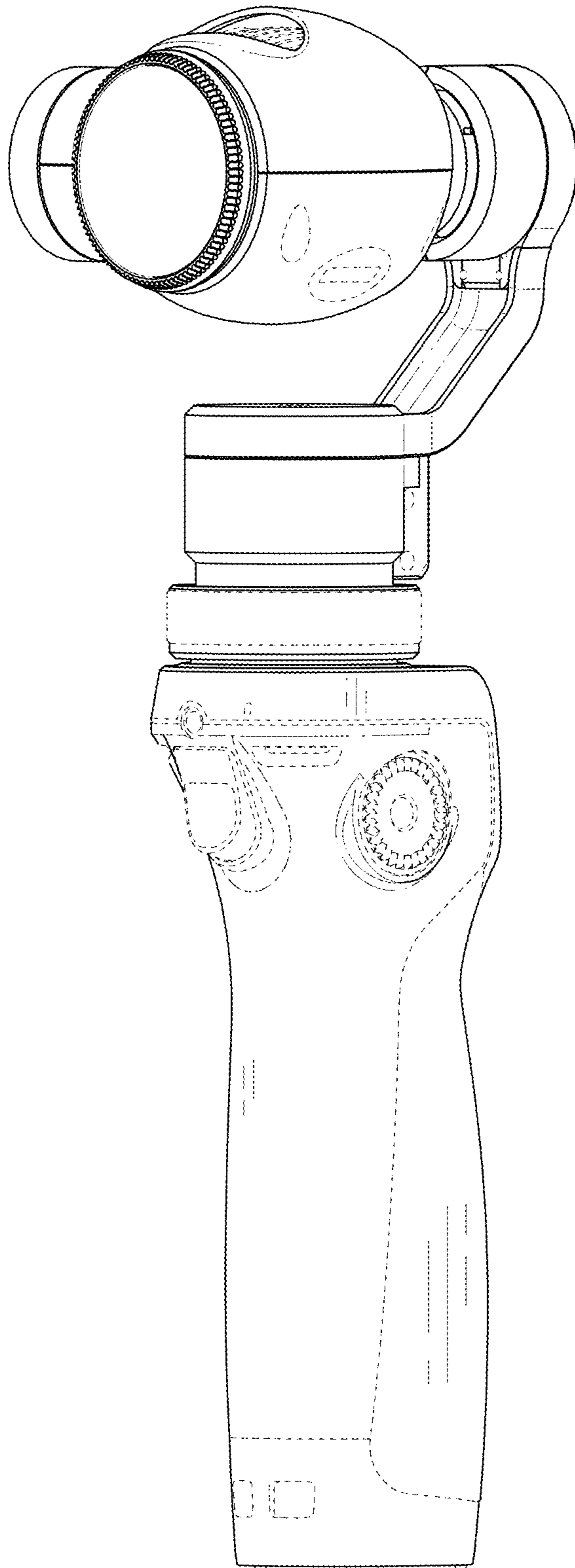


FIG. 1

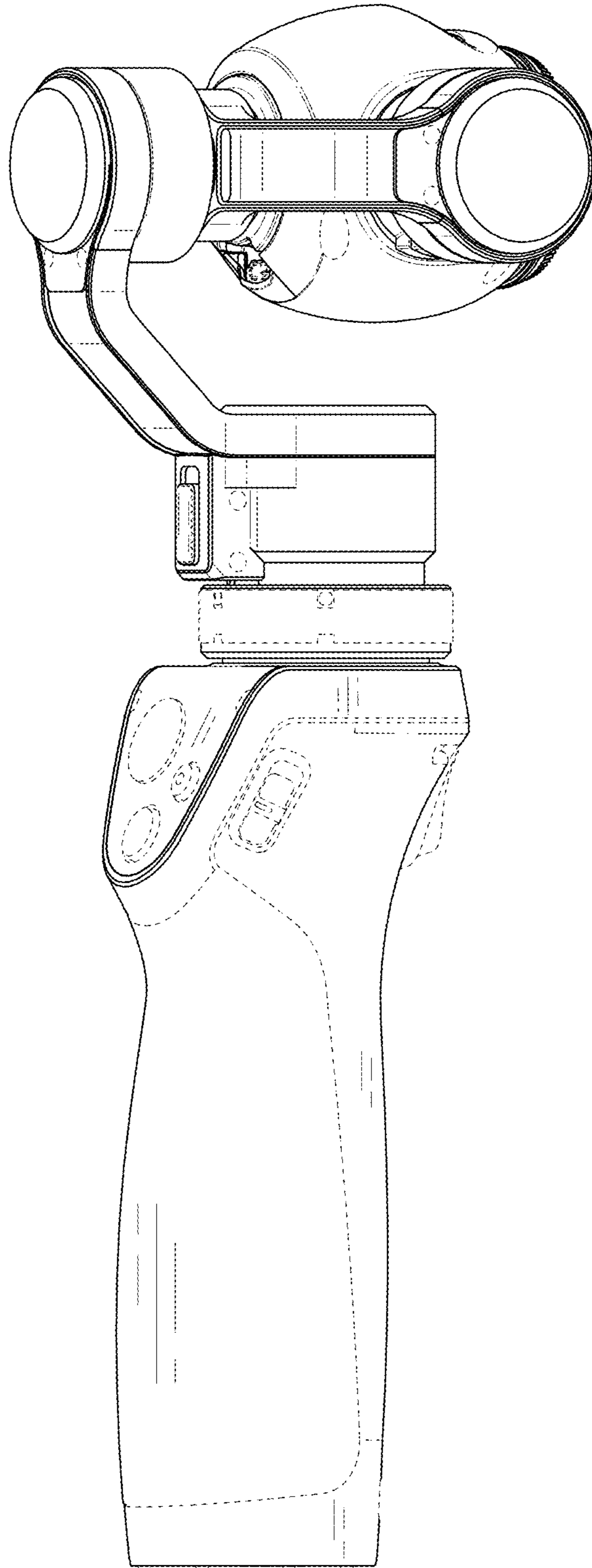


FIG. 2

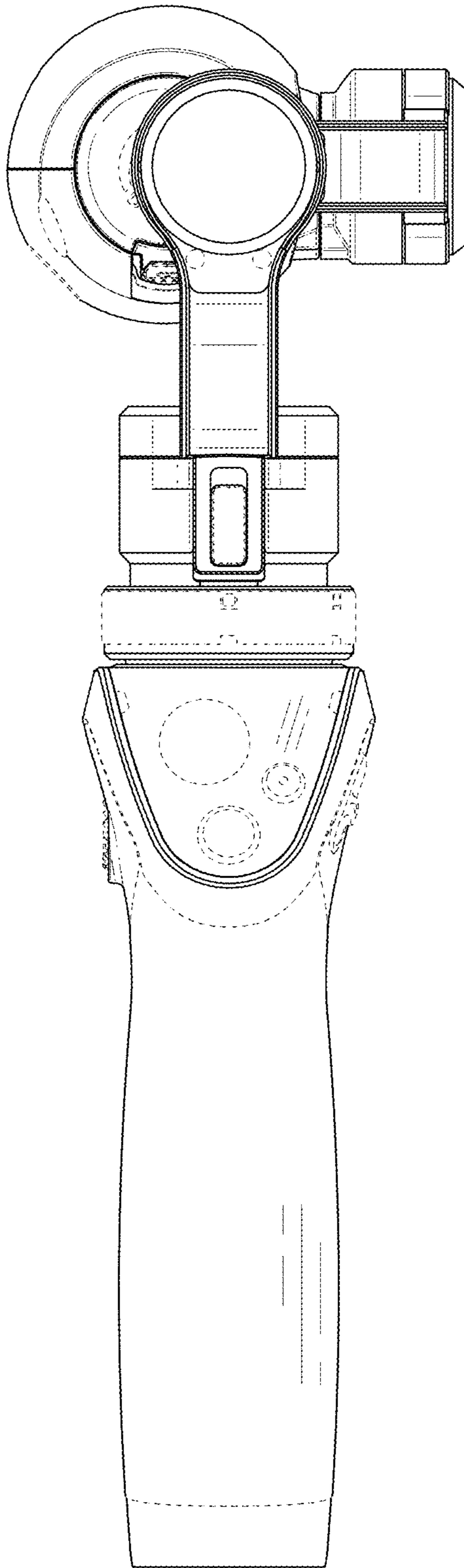


FIG. 3

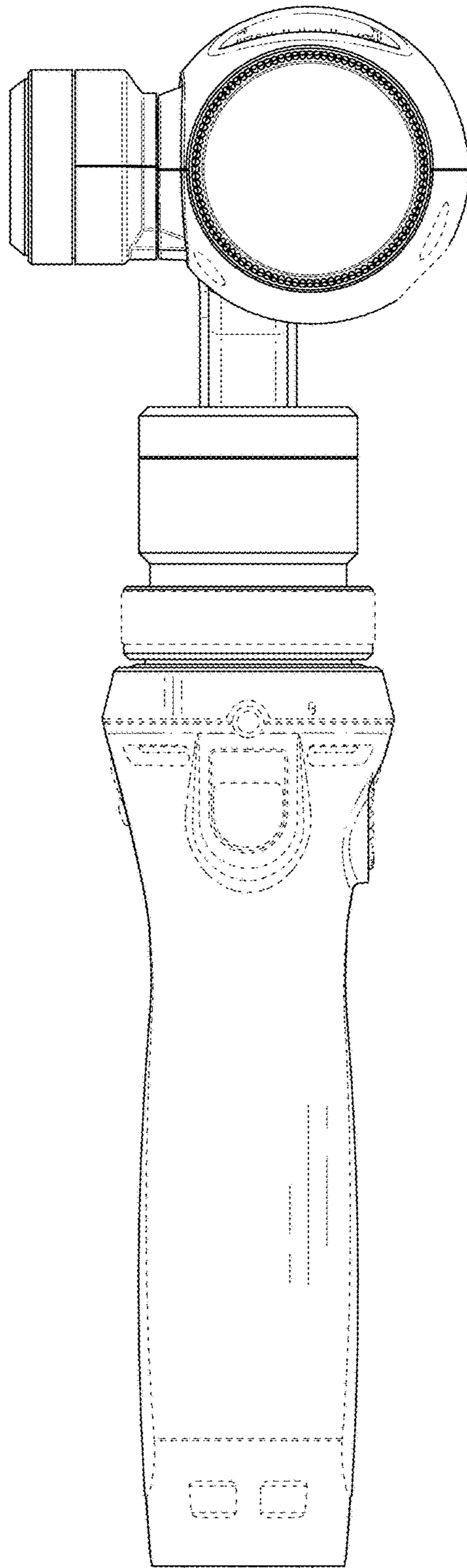


FIG. 4

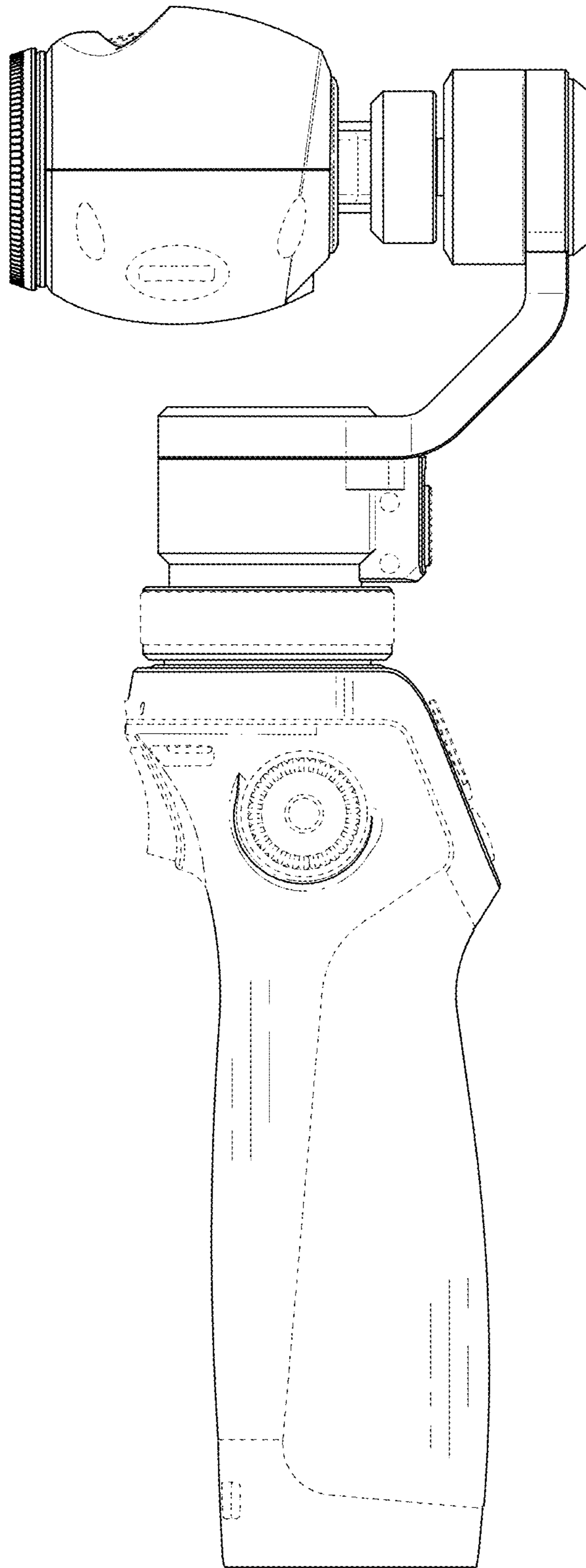


FIG. 5

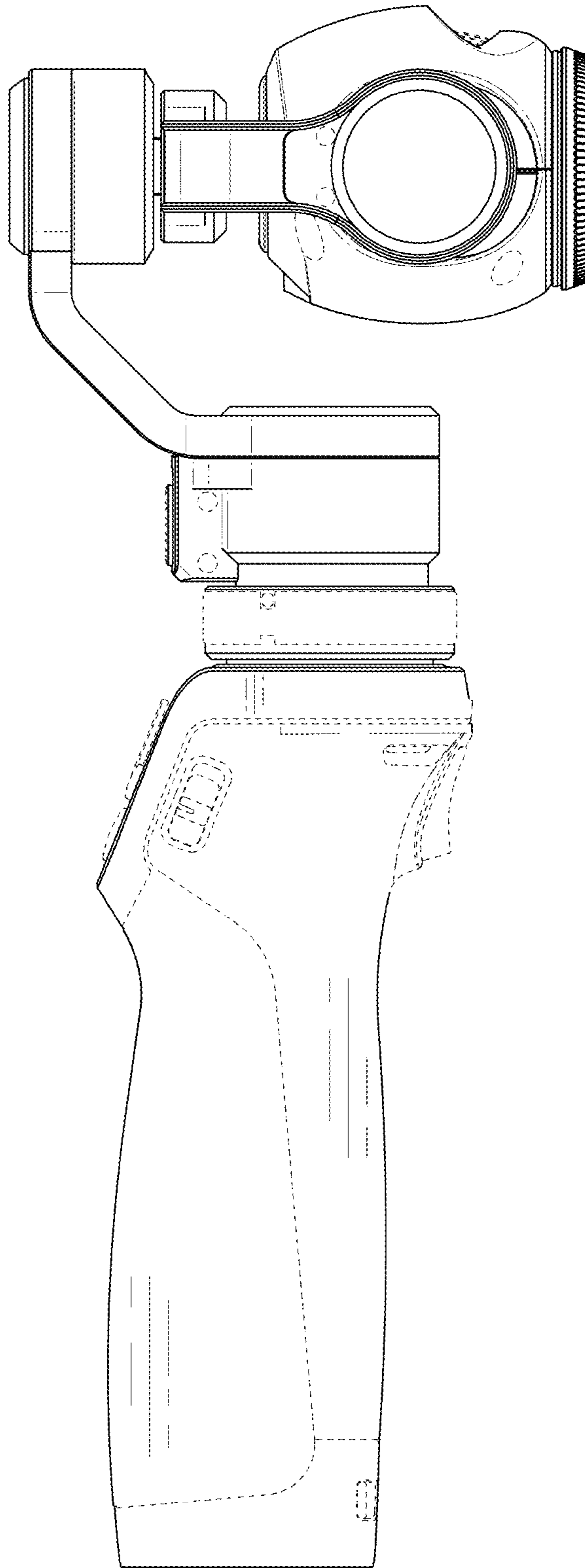
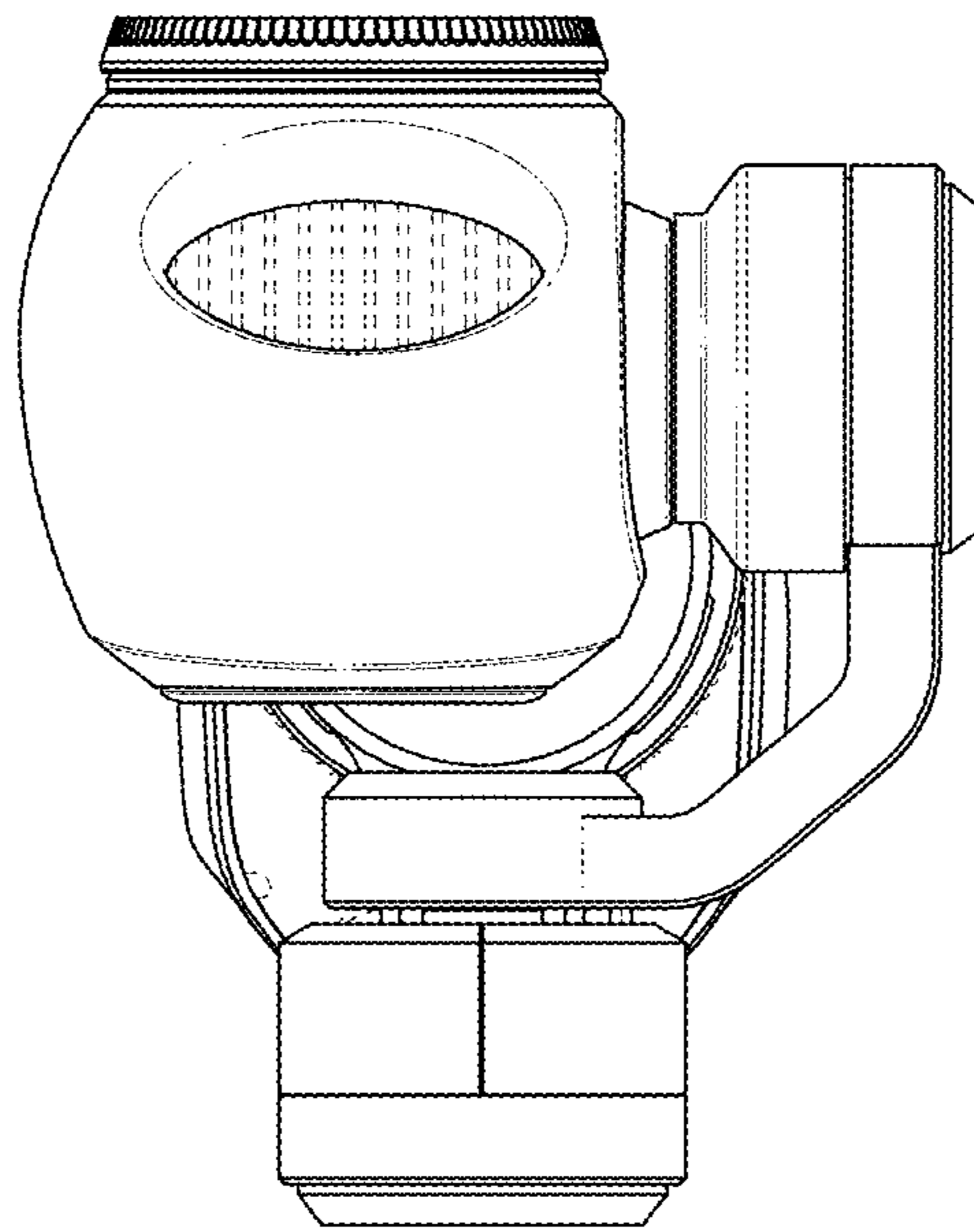
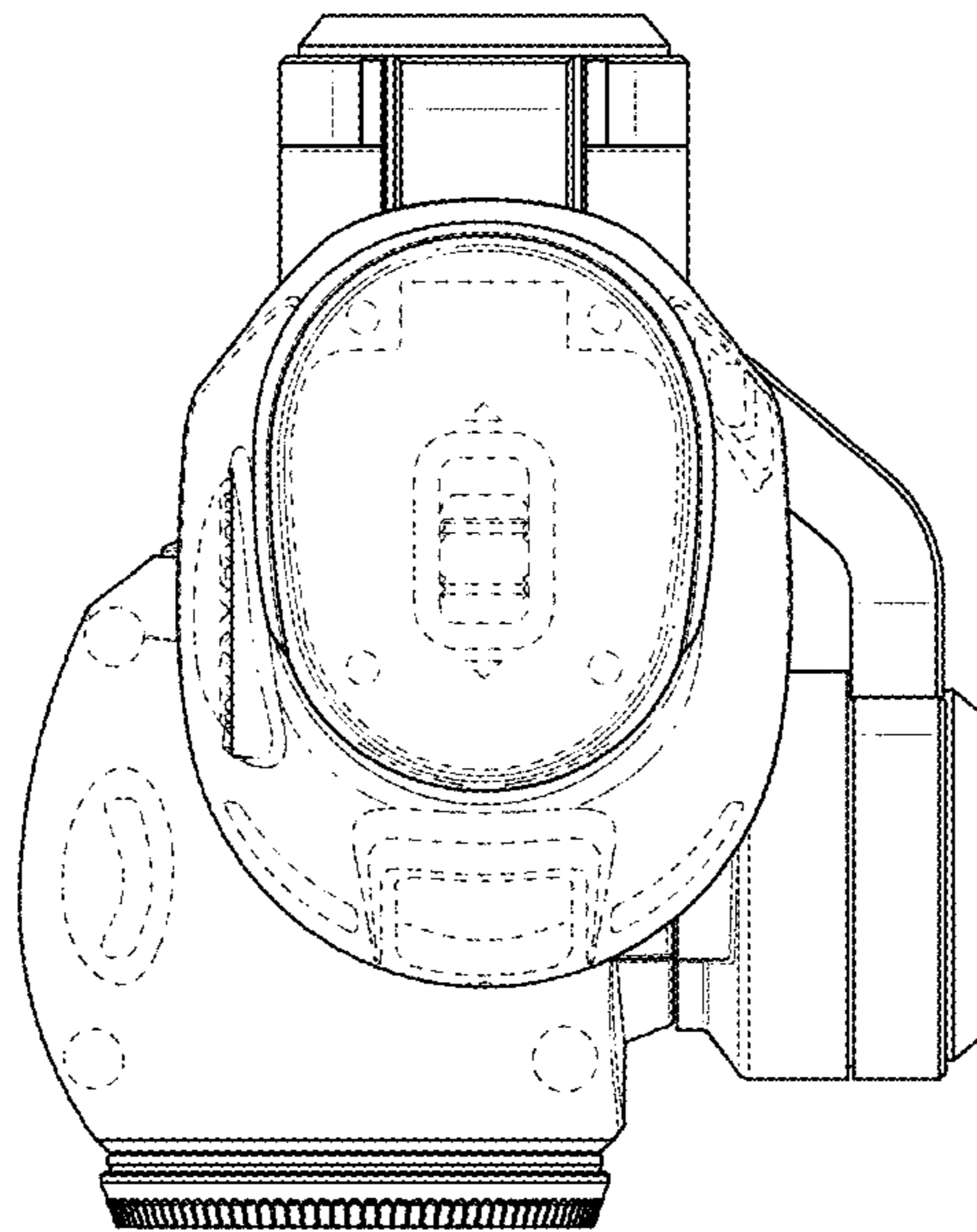


FIG. 6





**FIG. 7**



**FIG. 8**