



US00D810805S

(12) **United States Design Patent** (10) **Patent No.:** **US D810,805 S**
Loew et al. (45) **Date of Patent:** **** Feb. 20, 2018**

(54) **SECURITY CAMERA**
(71) Applicant: **Ring Inc.**, Santa Monica, CA (US)
(72) Inventors: **Christopher Loew**, Palo Alto, CA (US); **James Siminoff**, Pacific Palisades, CA (US); **Spiro Sacre**, Los Angeles, CA (US); **Mark Siminoff**, Mountain View, CA (US)

D743,467 S * 11/2015 Bhattacharya D16/203
D747,383 S * 1/2016 Li D16/203
D754,231 S * 4/2016 Murray D16/202
D754,767 S * 4/2016 Sandy D16/202
D755,875 S * 5/2016 Geng H04N 5/2251
D16/203
D788,834 S * 6/2017 Bhattacharya D16/203
2013/0038728 A1 * 2/2013 Kim H04N 5/2252
348/143
2014/0160349 A1 * 6/2014 Huang H04N 5/2251
348/375

(73) Assignee: **Ring Inc.**, Santa Monica, CA (US)

* cited by examiner

(**) Term: **15 Years**

Primary Examiner — Philip S Hyder

Assistant Examiner — Ramzi Almatrahi

(21) Appl. No.: **29/603,240**

(74) *Attorney, Agent, or Firm* — Lathrop Gage LLP

(22) Filed: **May 8, 2017**

(57) **CLAIM**

(51) **LOC (11) Cl.** **16-01**

The ornamental design for a security camera, as shown and described.

(52) **U.S. Cl.**

USPC **D16/203**

(58) **Field of Classification Search**

DESCRIPTION

USPC D16/200, 202–207, 208, 218, 219;
348/143, 148, 151, 373–376; 396/419,
396/427, 535, 539–541

CPC G03B 17/02; G03B 19/04; G03B 17/56;
G03B 17/04; G03B 15/03; H04N 5/2251;
H04N 5/2252; H04N 5/2253; H04N
5/2254; H04N 7/181; H04N 7/183; H04N
7/18; G08B 13/1963; G08B 13/19619;
G08B 13/19632; F16M 11/04; F16M
13/00

See application file for complete search history.

FIG. 1 is a front perspective view of a security camera according to the present design;
FIG. 2 is a front elevational view of the security camera of FIG. 1;
FIG. 3 is a rear elevational view of the security camera of FIG. 1;
FIG. 4 is a right-side elevational view of the security camera of FIG. 1;
FIG. 5 is a left-side elevational view of the security camera of FIG. 1;
FIG. 6 is a top plan view of the security camera of FIG. 1; and,
FIG. 7 is a bottom plan view of the security camera of FIG. 1.

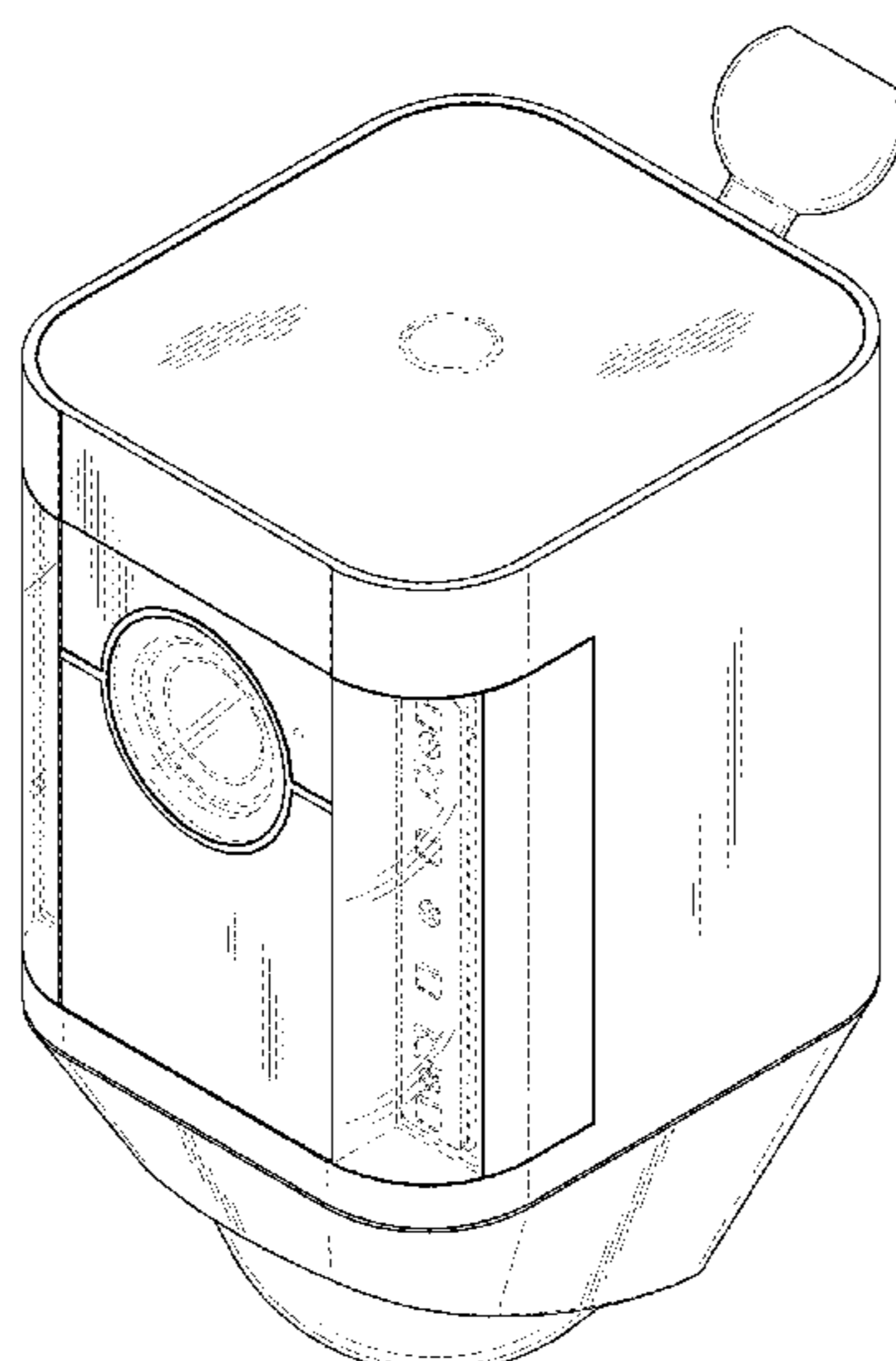
(56) **References Cited**

U.S. PATENT DOCUMENTS

D638,458 S * 5/2011 Miyamori D16/202
D649,573 S * 11/2011 Al D16/202
D697,119 S * 1/2014 Park D16/202
D721,754 S * 1/2015 Chen D16/202
D741,932 S * 10/2015 Huang D16/202

The broken lines depict portions of a security camera in which the design is embodied that form no part of the claimed design.

1 Claim, 7 Drawing Sheets



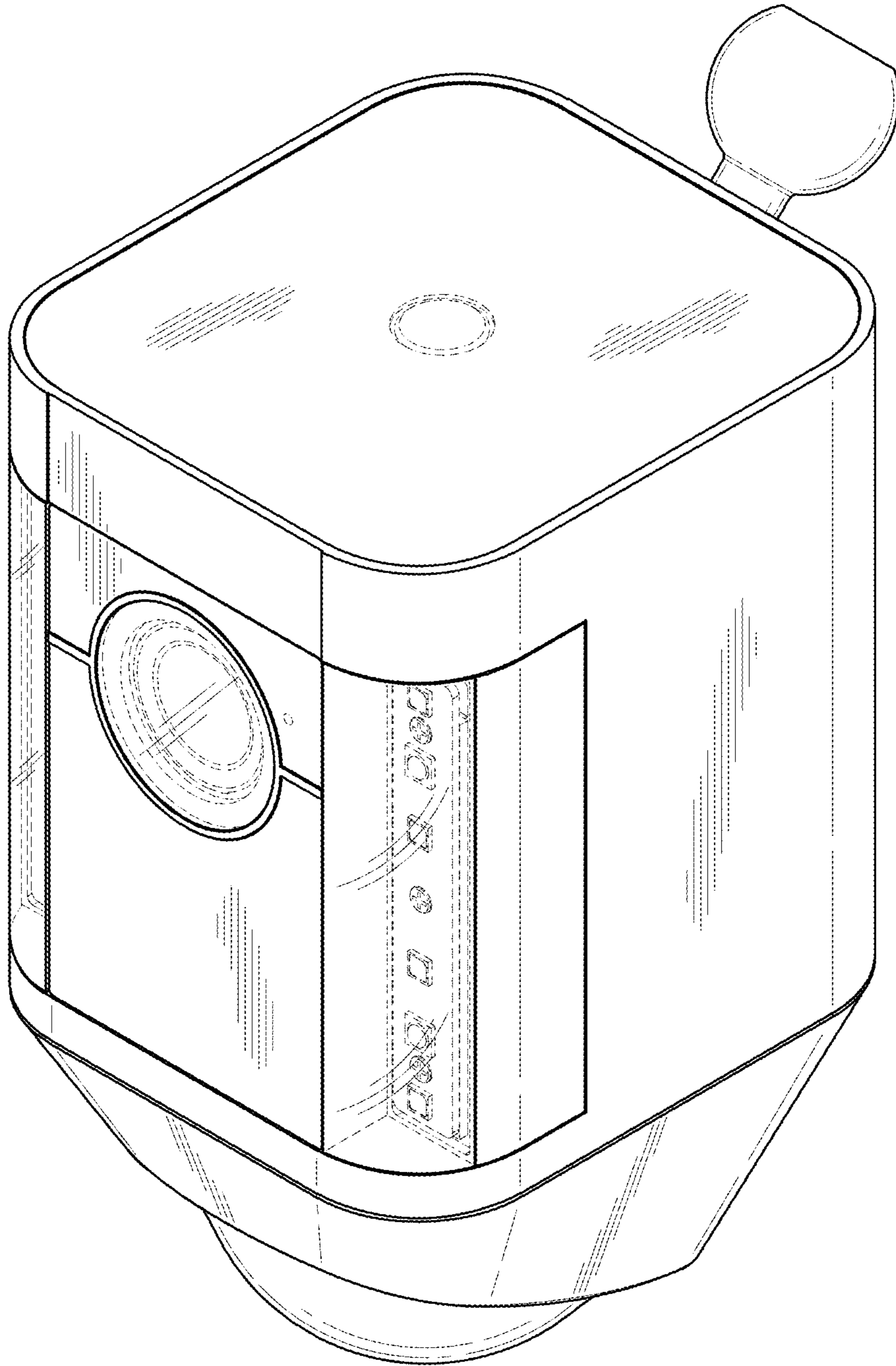


FIG. 1

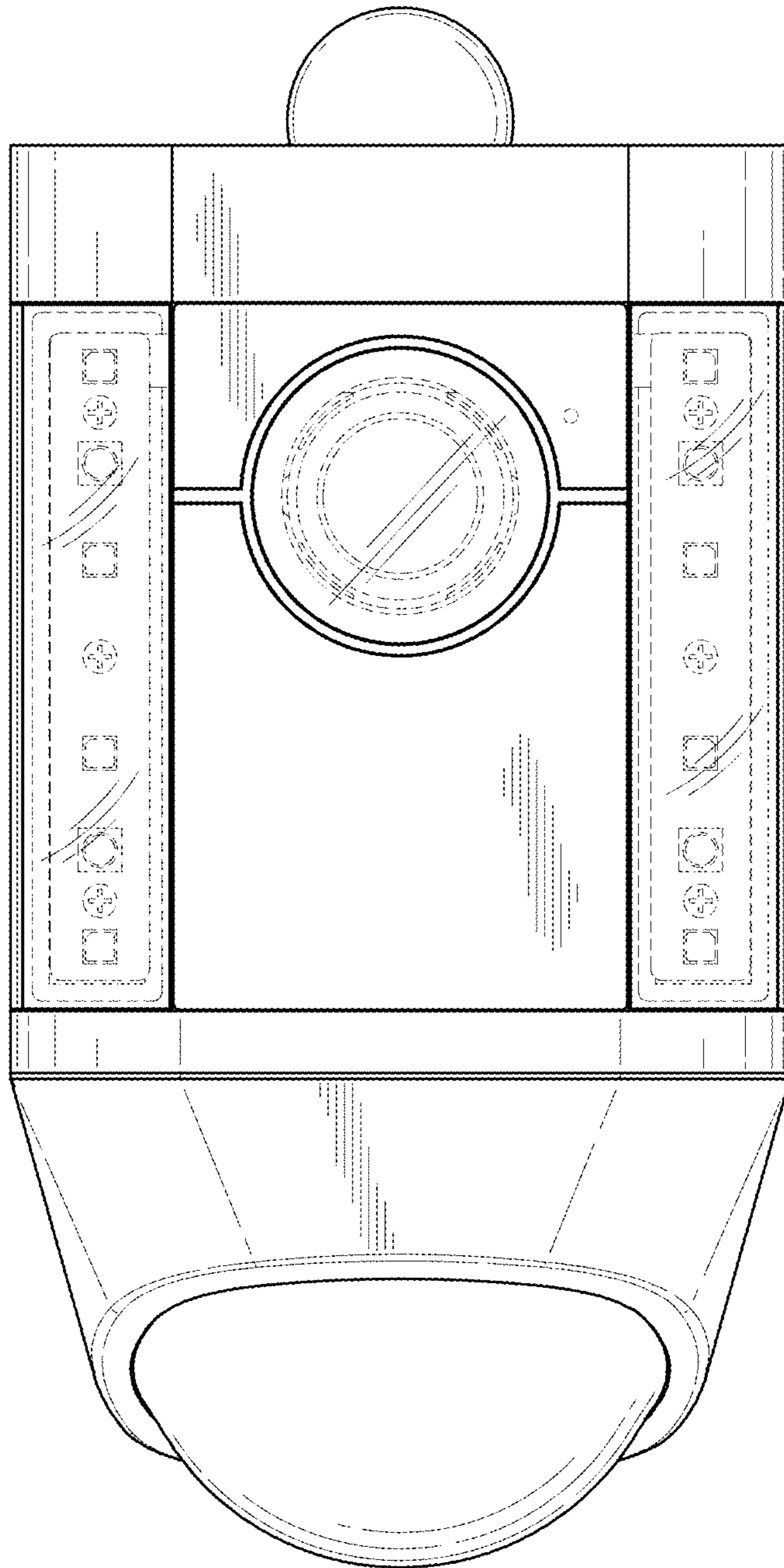


FIG. 2

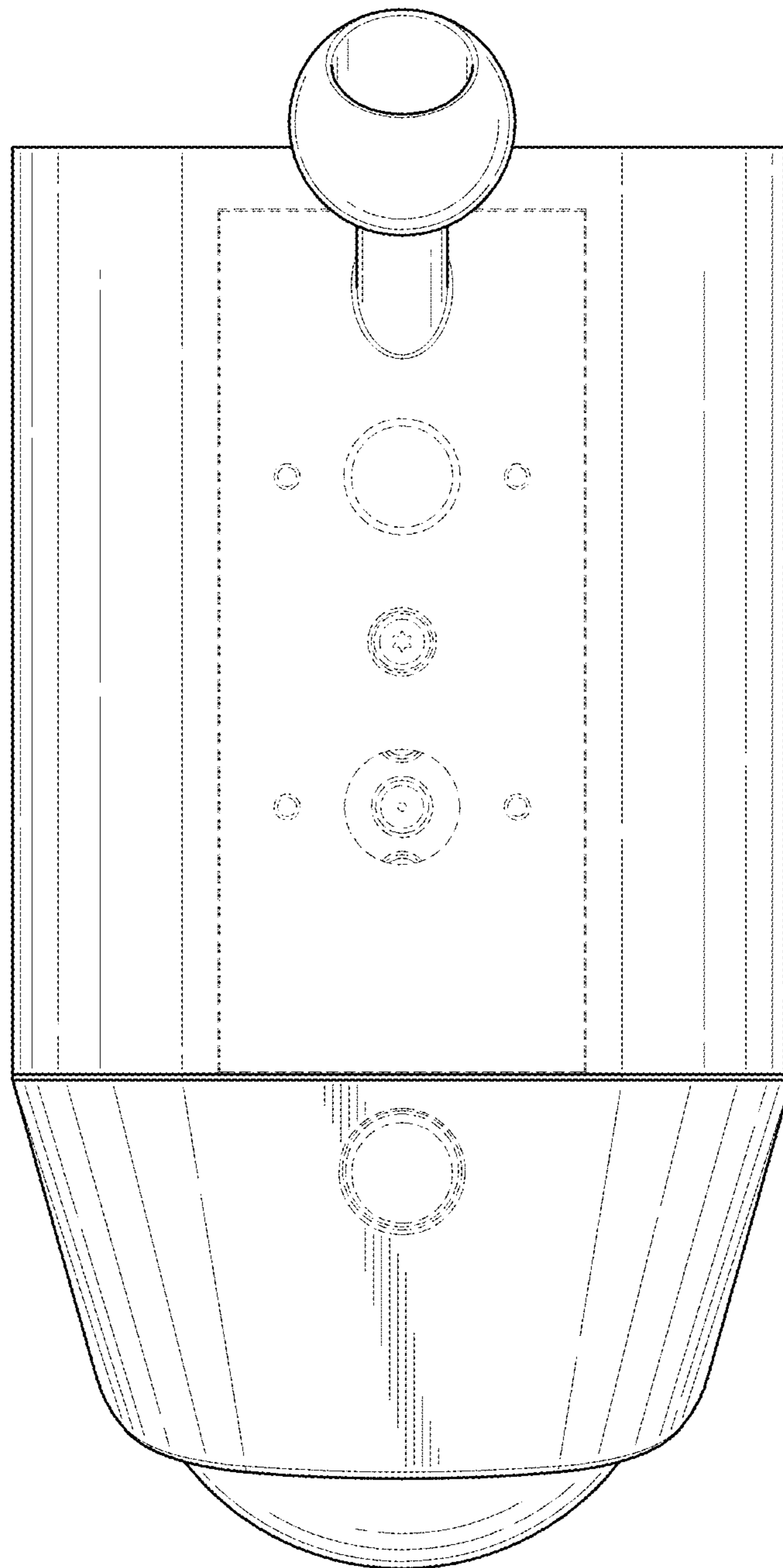


FIG. 3

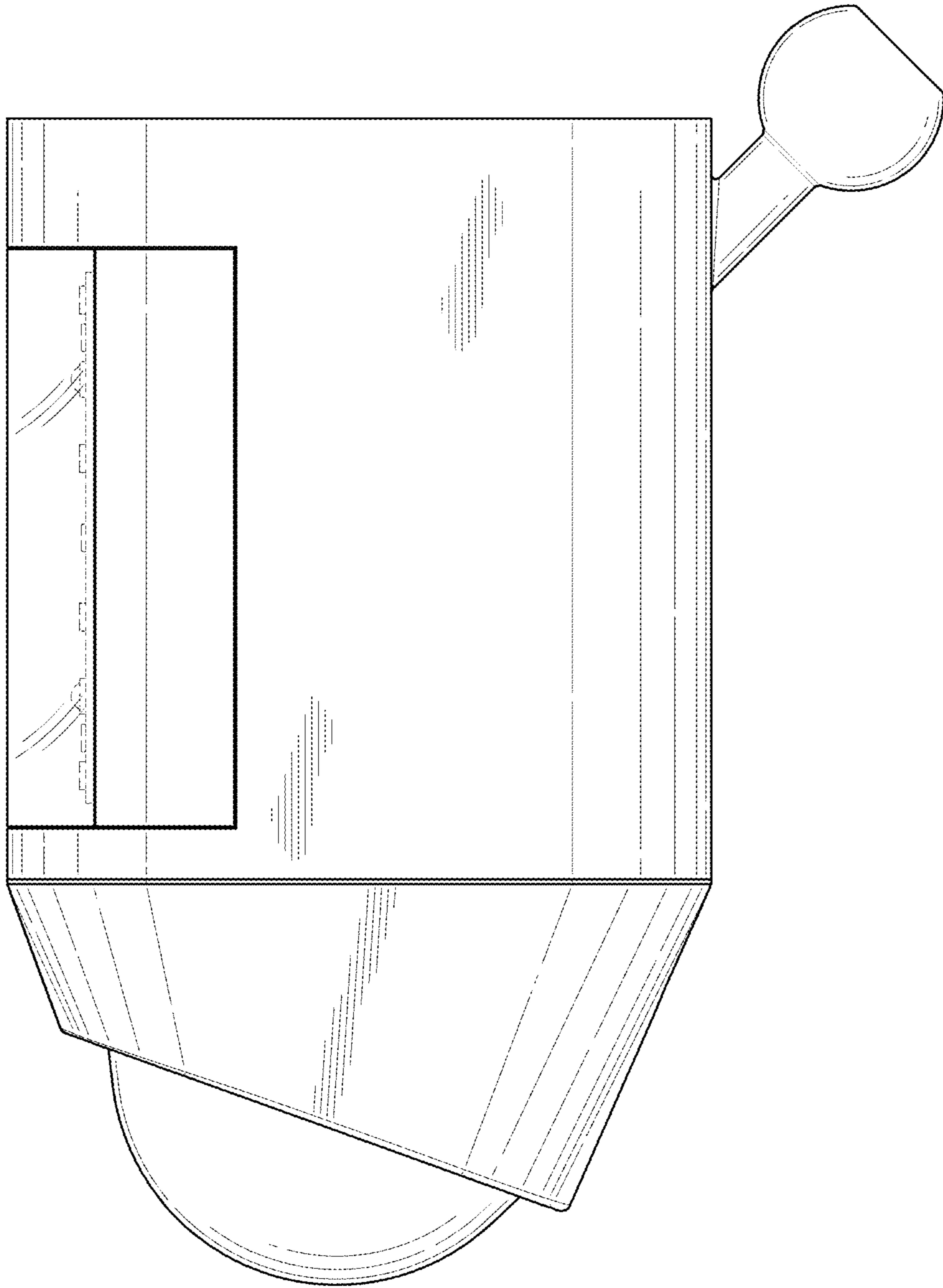


FIG. 4

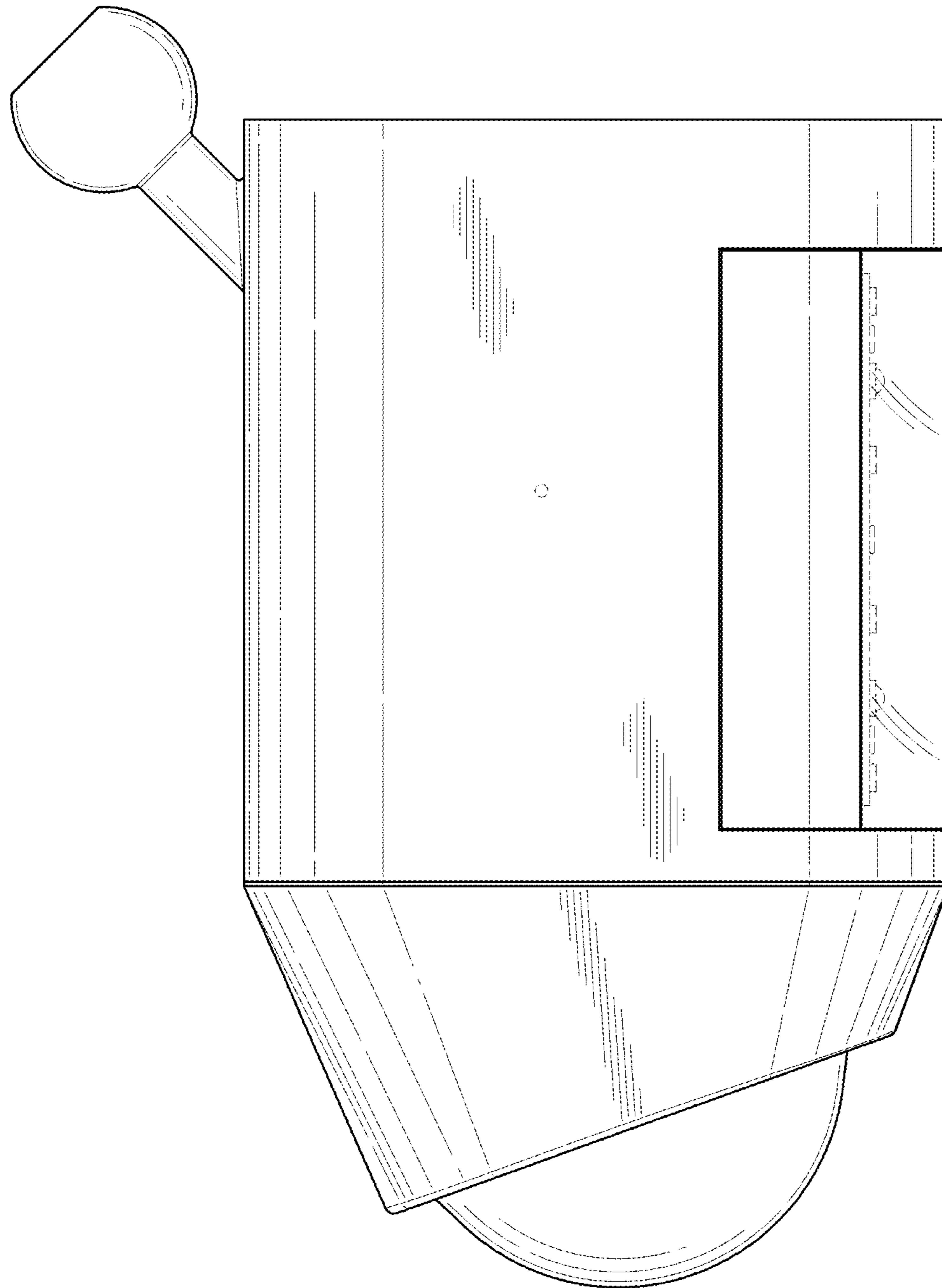


FIG. 5

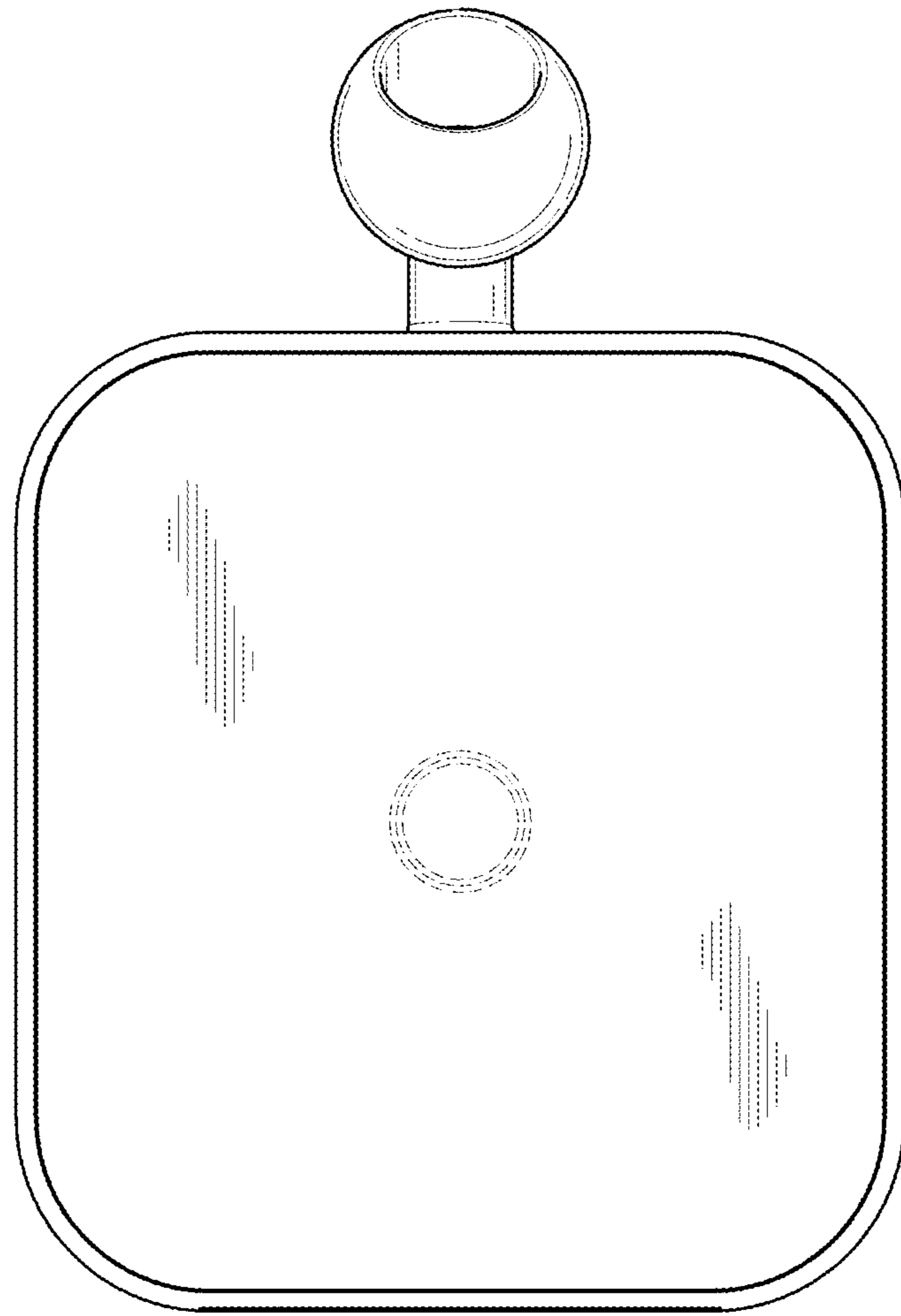


FIG. 6

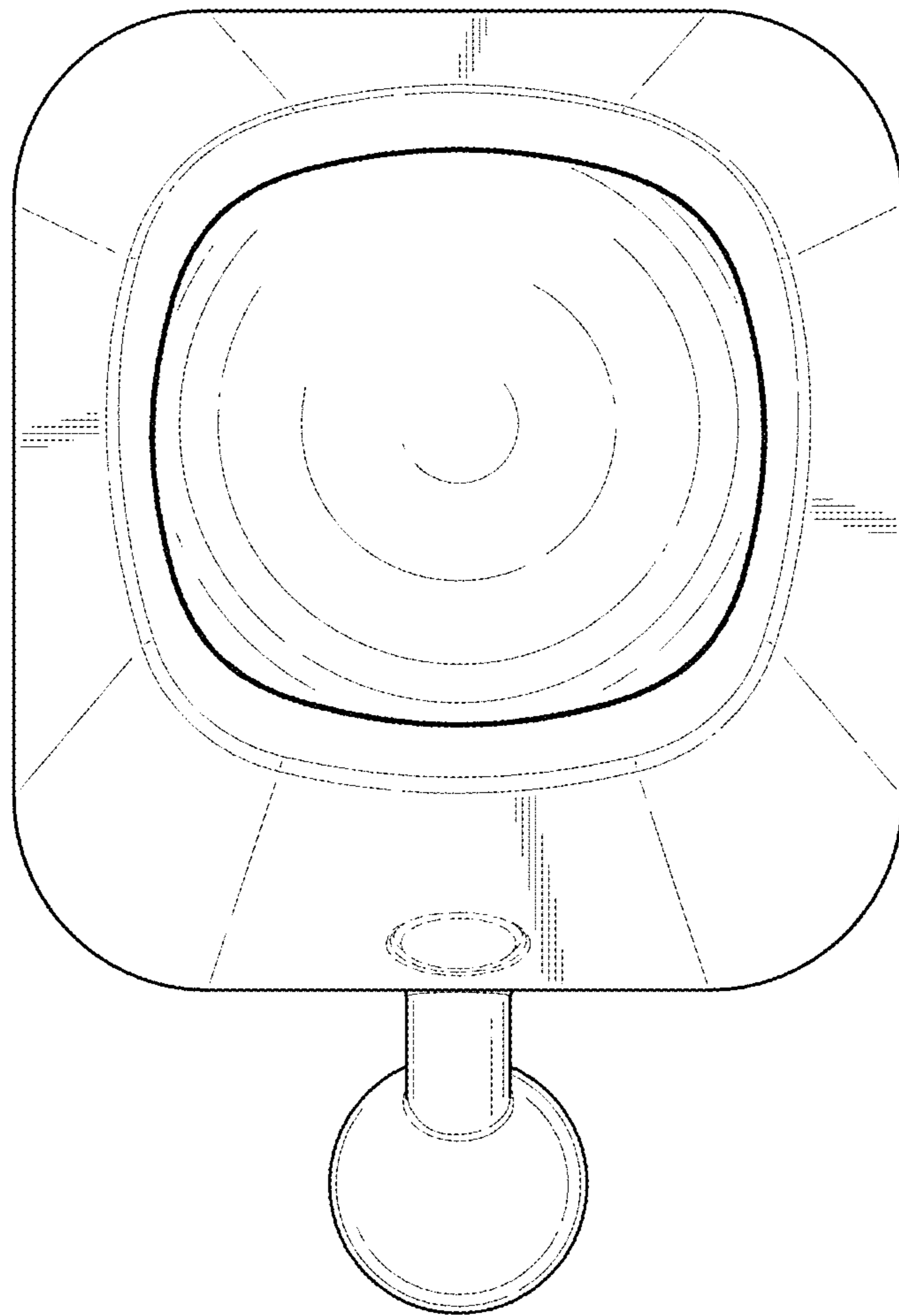


FIG. 7