



US00D810804S

(12) **United States Design Patent**
Borel et al.

(10) **Patent No.:** **US D810,804 S**

(45) **Date of Patent:** **** Feb. 20, 2018**

(54) **CAMERA**

(71) Applicant: **Logitech Europe S.A.**, Lausanne (CH)

(72) Inventors: **Vincent Borel**, Menlo Park, CA (US);
Giuseppe Russo, Redwood City, CA (US);
David Brian Seal, Chicago, IL (US);
Stephen Michael Christopher, Seattle, WA (US);
Changhsuan Pai, Chicago, IL (US)

(73) Assignee: **Logitech Europe S.A.**, Lausanne (CH)

(**) Term: **14 Years**

(21) Appl. No.: **29/522,709**

(22) Filed: **Apr. 1, 2015**

(51) **LOC (11) Cl.** **16-01**

(52) **U.S. Cl.**
USPC **D16/203**

(58) **Field of Classification Search**

USPC D16/200, 202–206, 208–209, 218, 219;
348/373–376; 396/535, 539–541
CPC G03B 15/03; G03B 17/02; G03B 17/04;
G03B 17/56; G03B 19/04; H04N 5/2251;
H04N 5/2252; H04N 5/2253; H04N
5/2254; H04N 2101/00

See application file for complete search history.

(56) **References Cited**

U.S. PATENT DOCUMENTS

D433,432 S * 11/2000 Prather D16/202
D516,105 S * 2/2006 Bradley D16/202
D552,649 S * 10/2007 Logan D16/200
D554,682 S * 11/2007 Martinez D16/203
7,724,302 B2 * 5/2010 Yu H04N 1/00519
348/373
D626,580 S * 11/2010 Tzeng D16/202

D628,223 S * 11/2010 Kao D16/202
D678,929 S * 3/2013 Hancock D16/202
D705,844 S * 5/2014 Bart D16/203
D719,202 S * 12/2014 Lee D16/202
D731,579 S * 6/2015 Bart D16/203
D741,931 S * 10/2015 Huang D16/202
2005/0247845 A1 * 11/2005 Li F16M 11/14
248/346.5

* cited by examiner

Primary Examiner — Philip S Hyder

Assistant Examiner — Ramzi Almatrahi

(74) *Attorney, Agent, or Firm* — Kilpatrick, Townsend & Stockton, LLP

(57) **CLAIM**

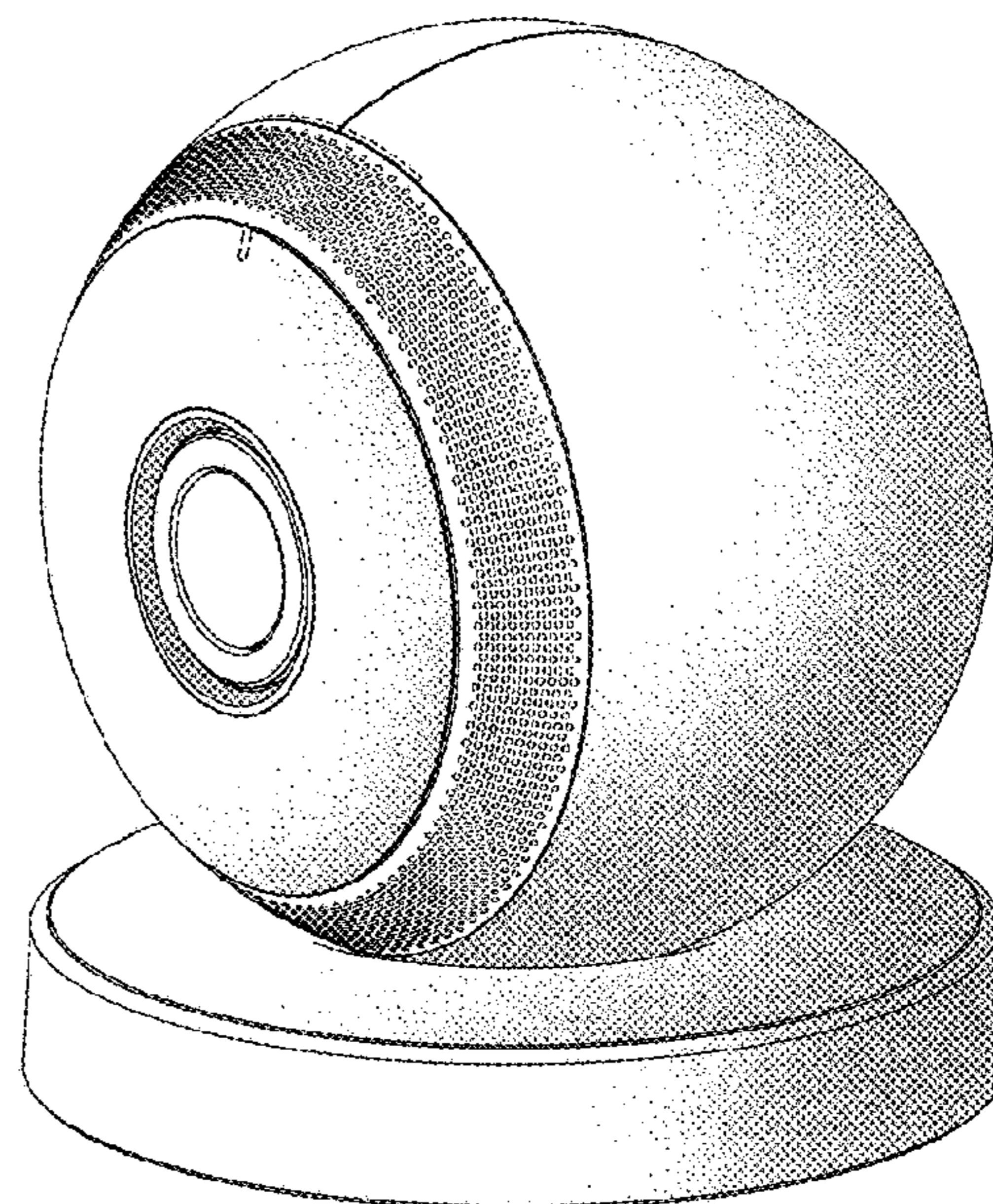
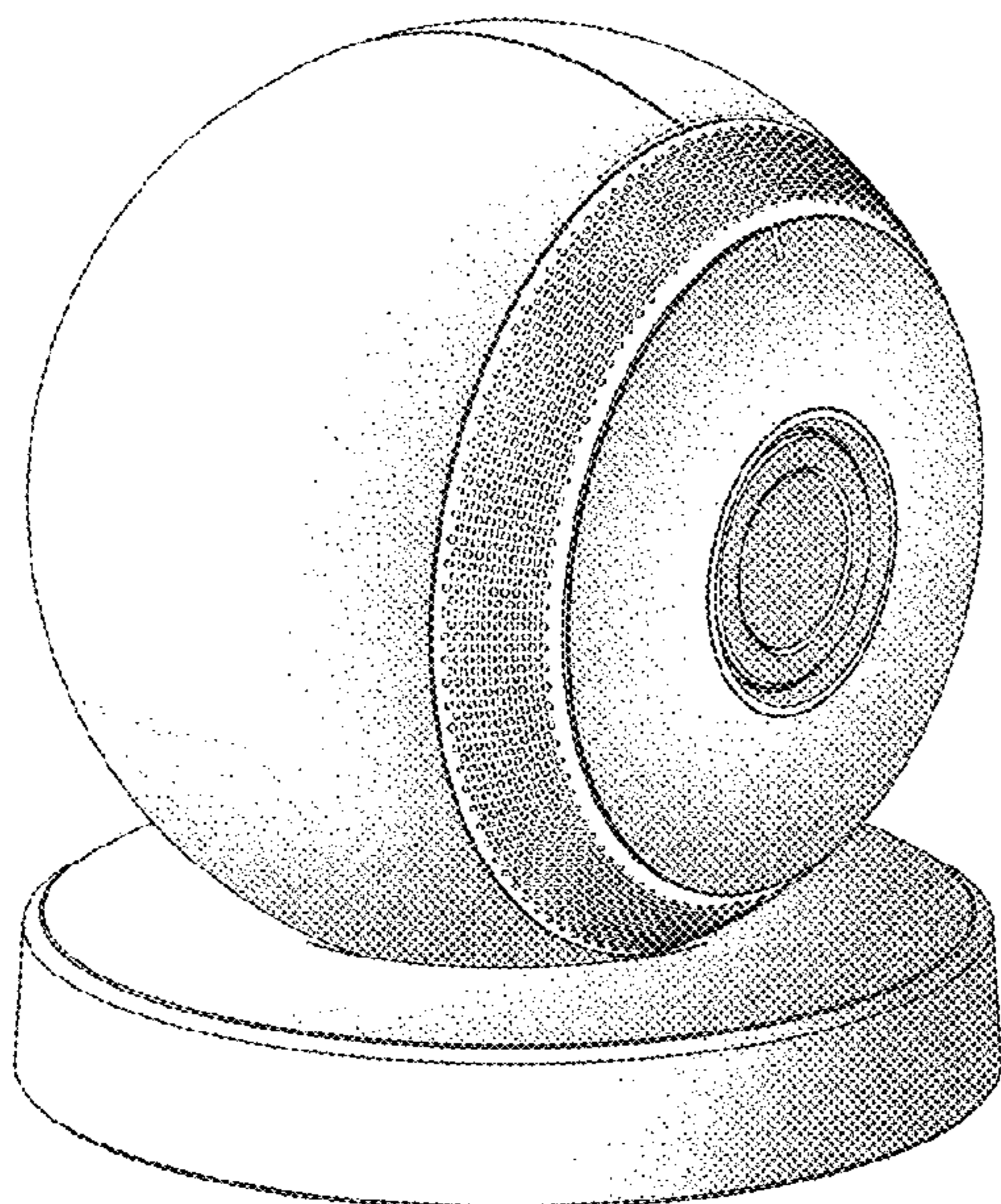
The ornamental design for a camera, as shown and described.

DESCRIPTION

FIG. 1 is an exploded top, front and right side perspective view of a camera showing our new design, with a mount disclosed in broken lines to illustrate an environment; FIG. 2 is a top, front, and left side perspective view thereof, shown with the mount omitted; FIG. 3 is a top, front, and right side perspective view thereof; FIG. 4 is a top plan view thereof; FIG. 5 is a bottom plan view thereof; FIG. 6 is a front elevational view thereof; FIG. 7 is a rear elevational view thereof; FIG. 8 is a left side elevational view thereof; and, FIG. 9 is a right side elevational view thereof.

The broken lines depict portions of a camera in which the design is embodied that form no part of the claimed design. The broken lines showing a mount in FIG. 1 represent environmental structure and form no part of the claimed design.

1 Claim, 9 Drawing Sheets



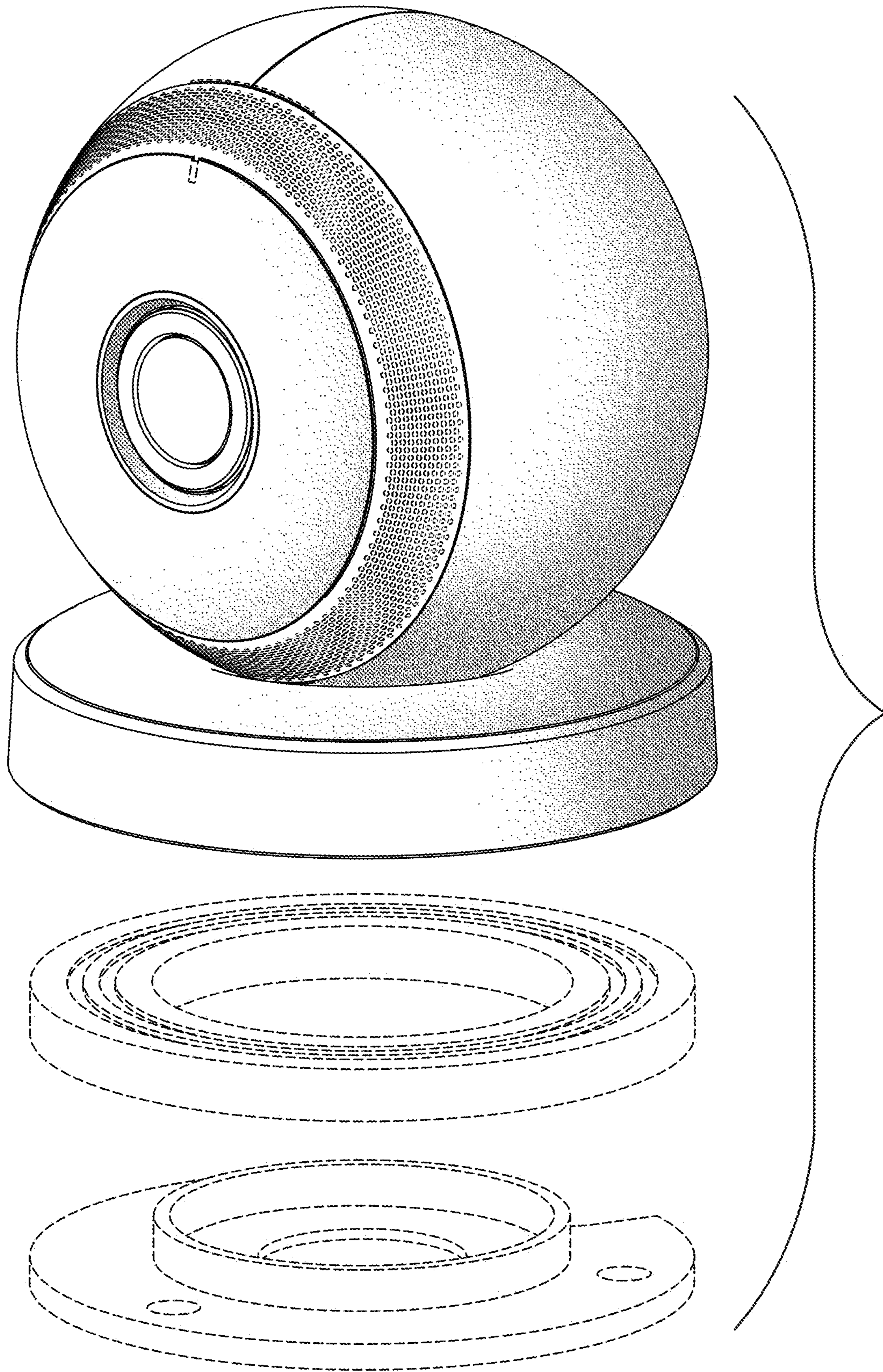


FIG. 1

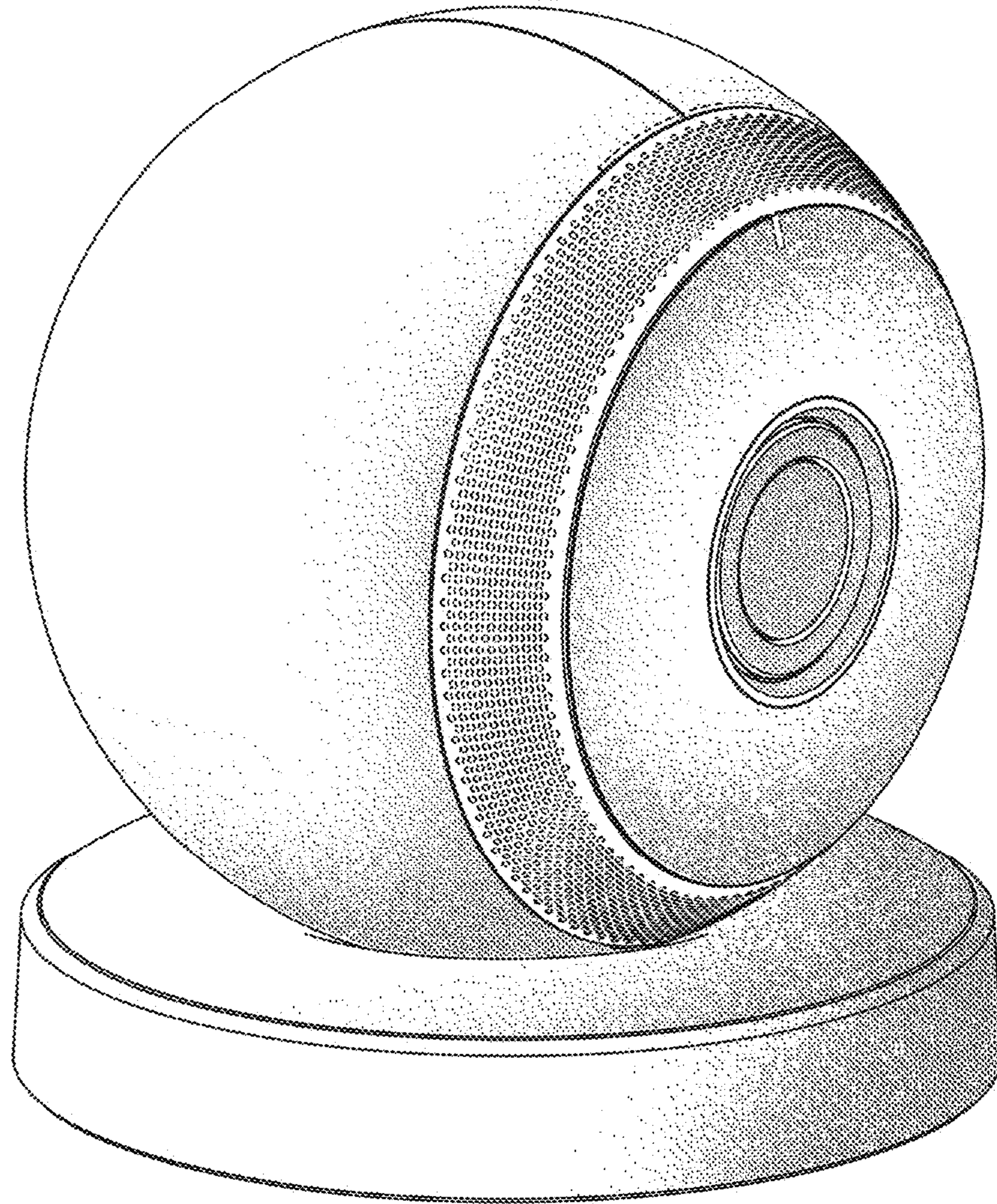


FIG. 2

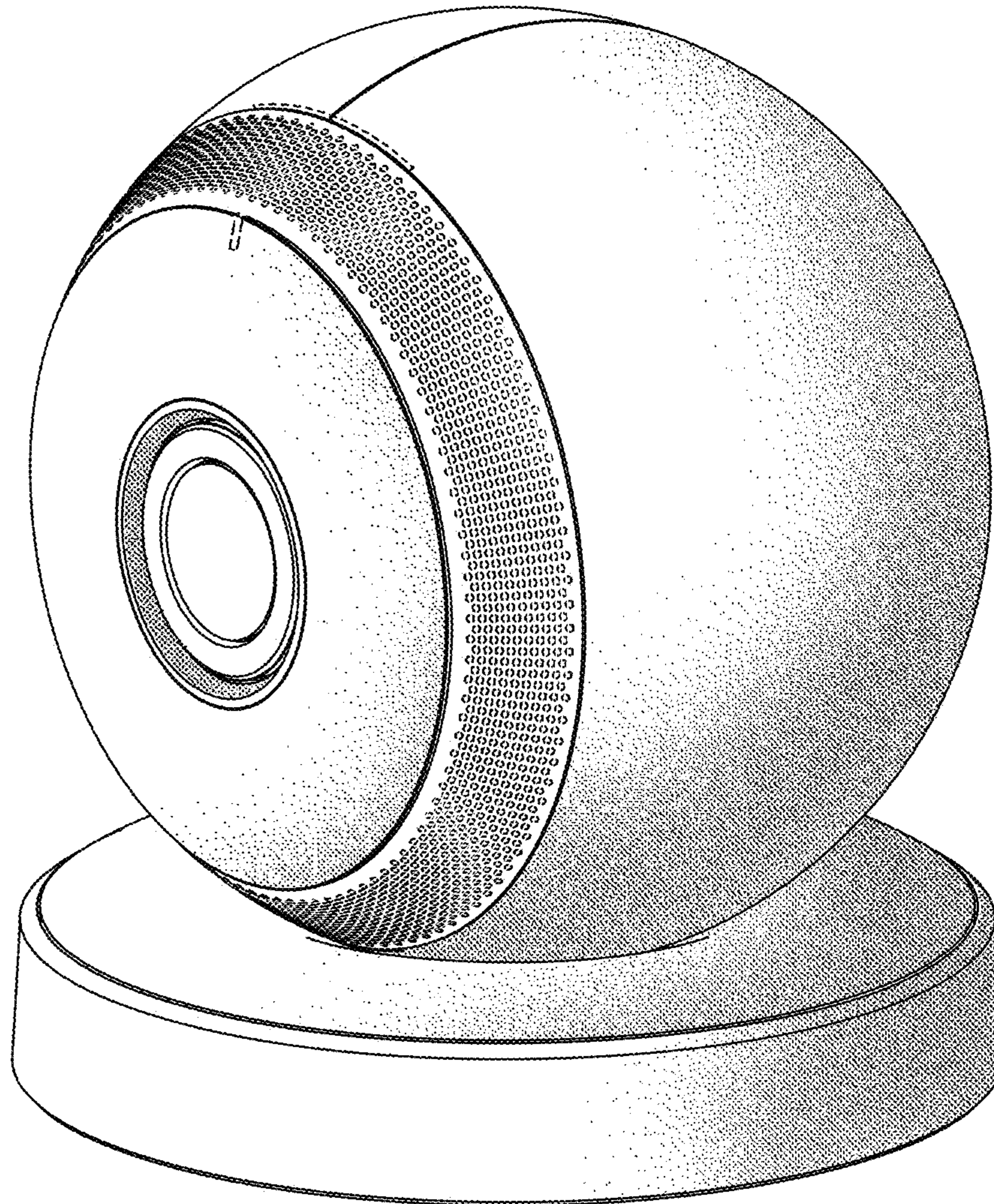


FIG. 3

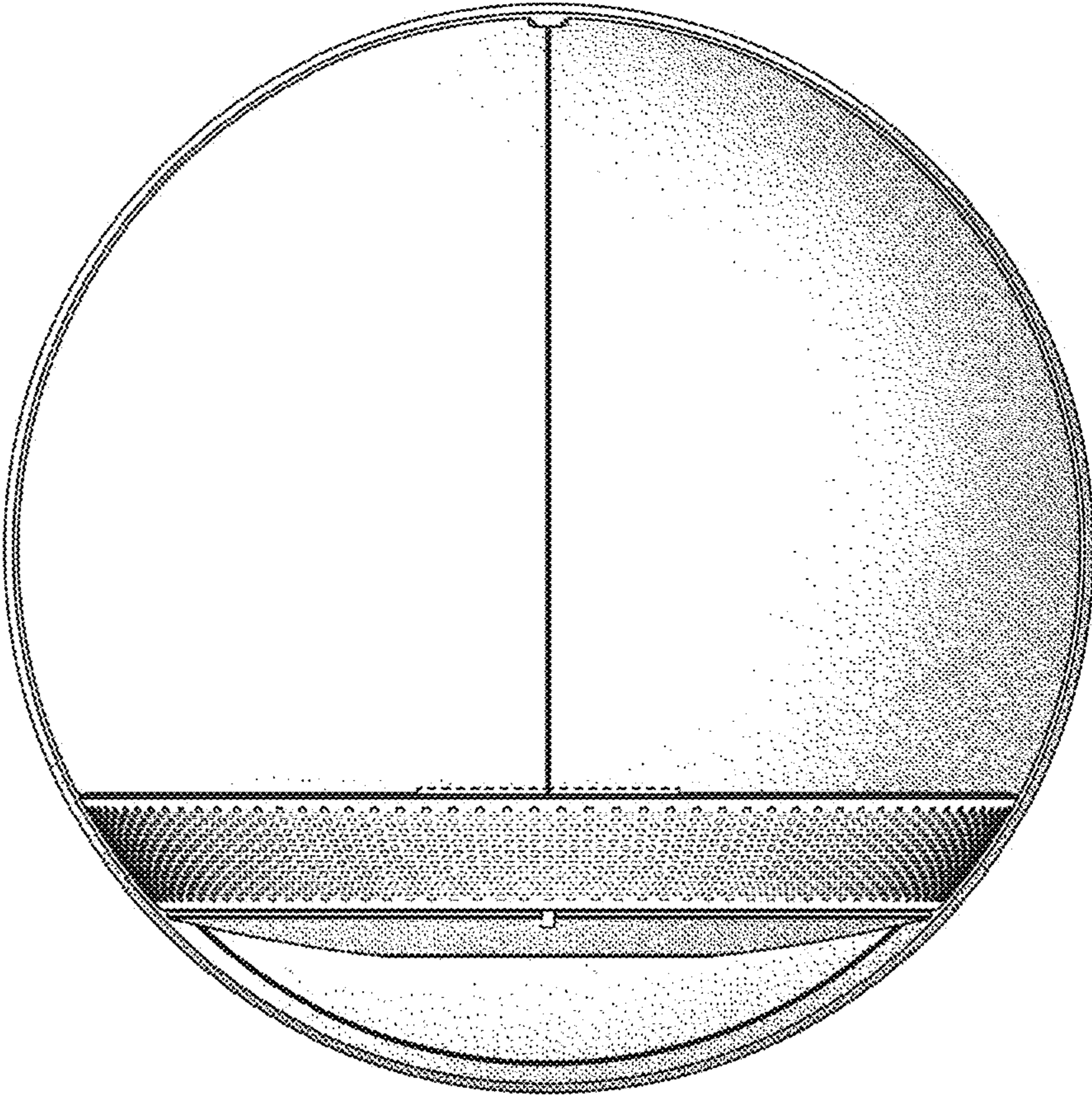


FIG. 4

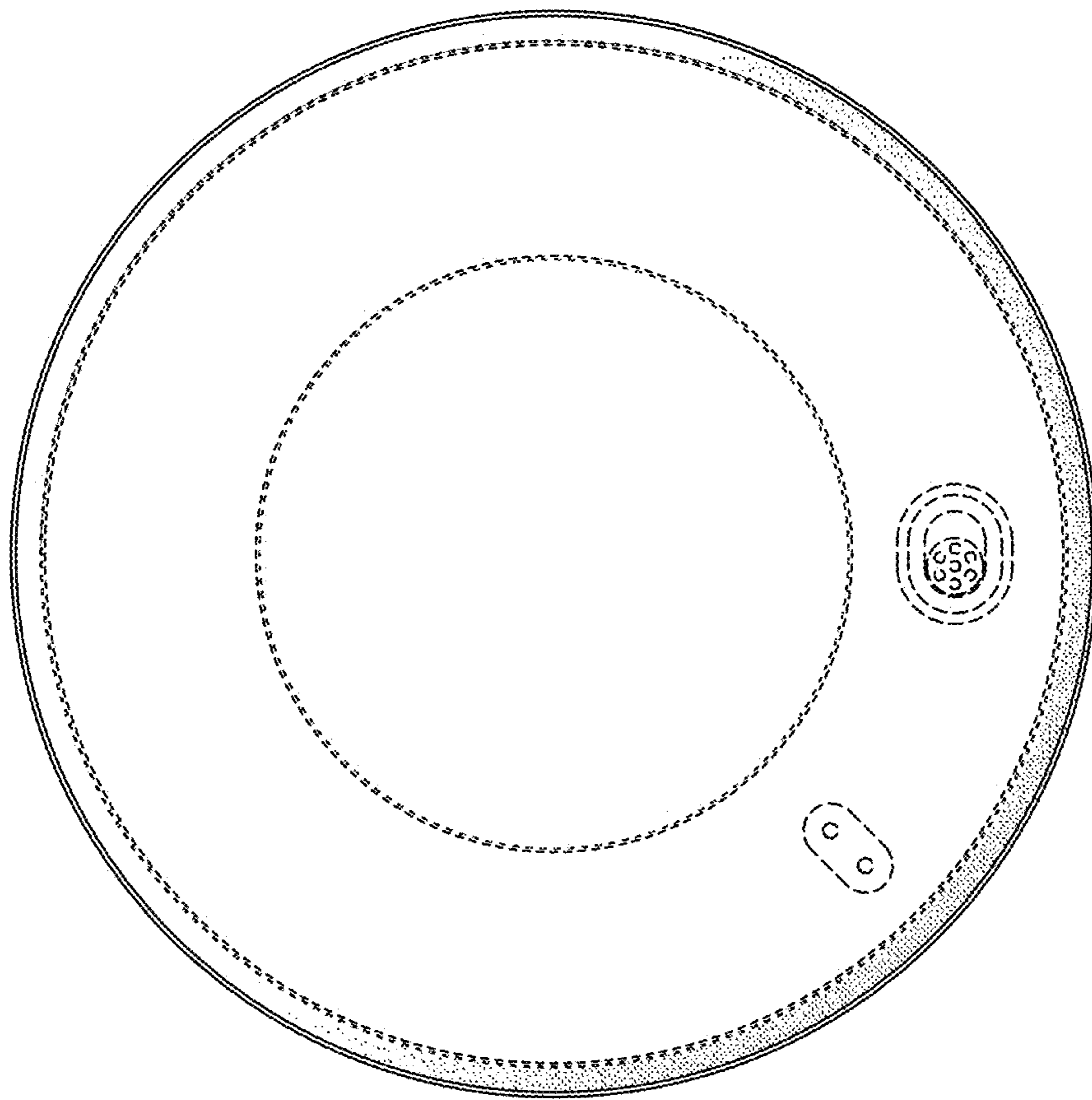


FIG. 5

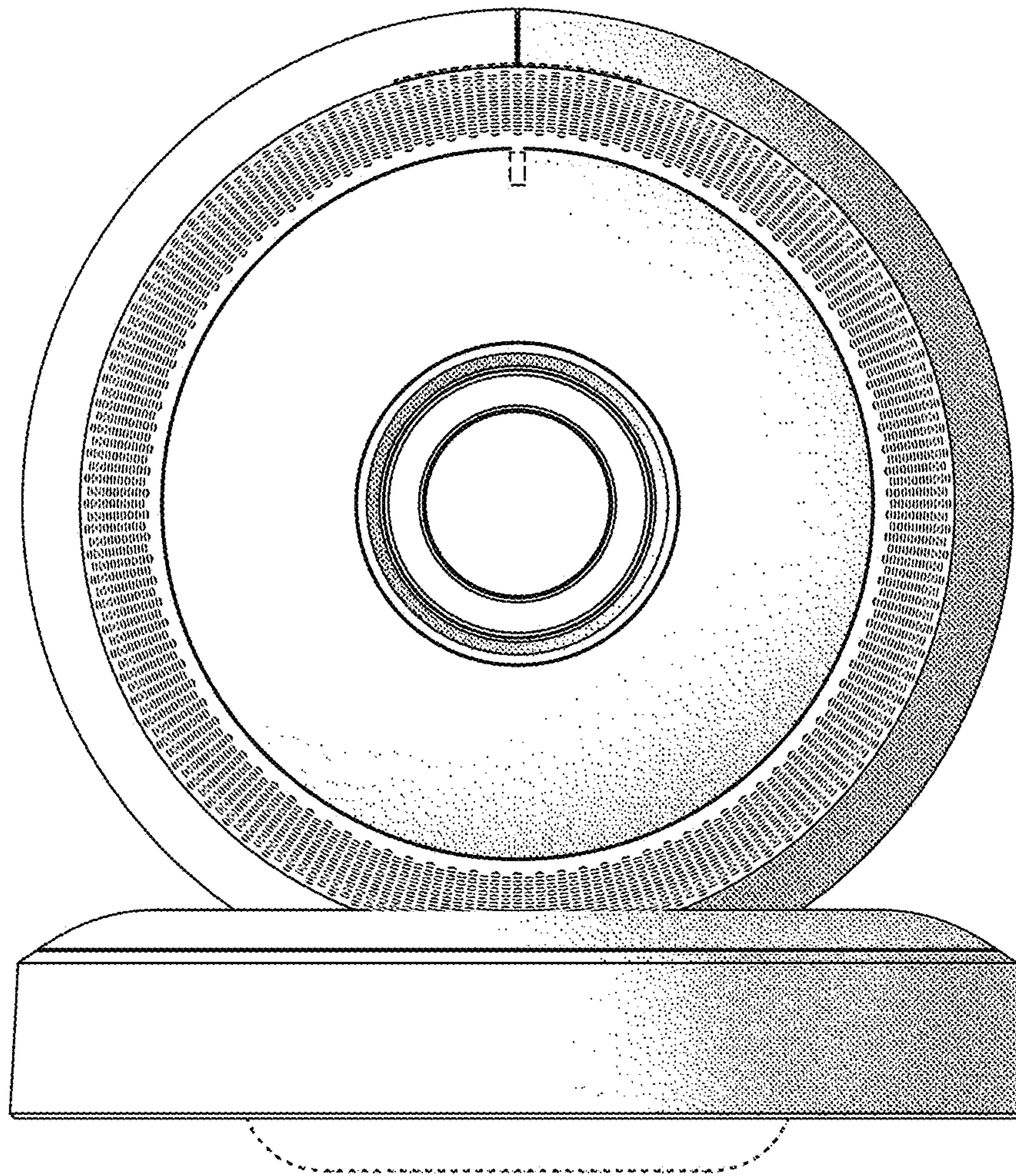


FIG. 6

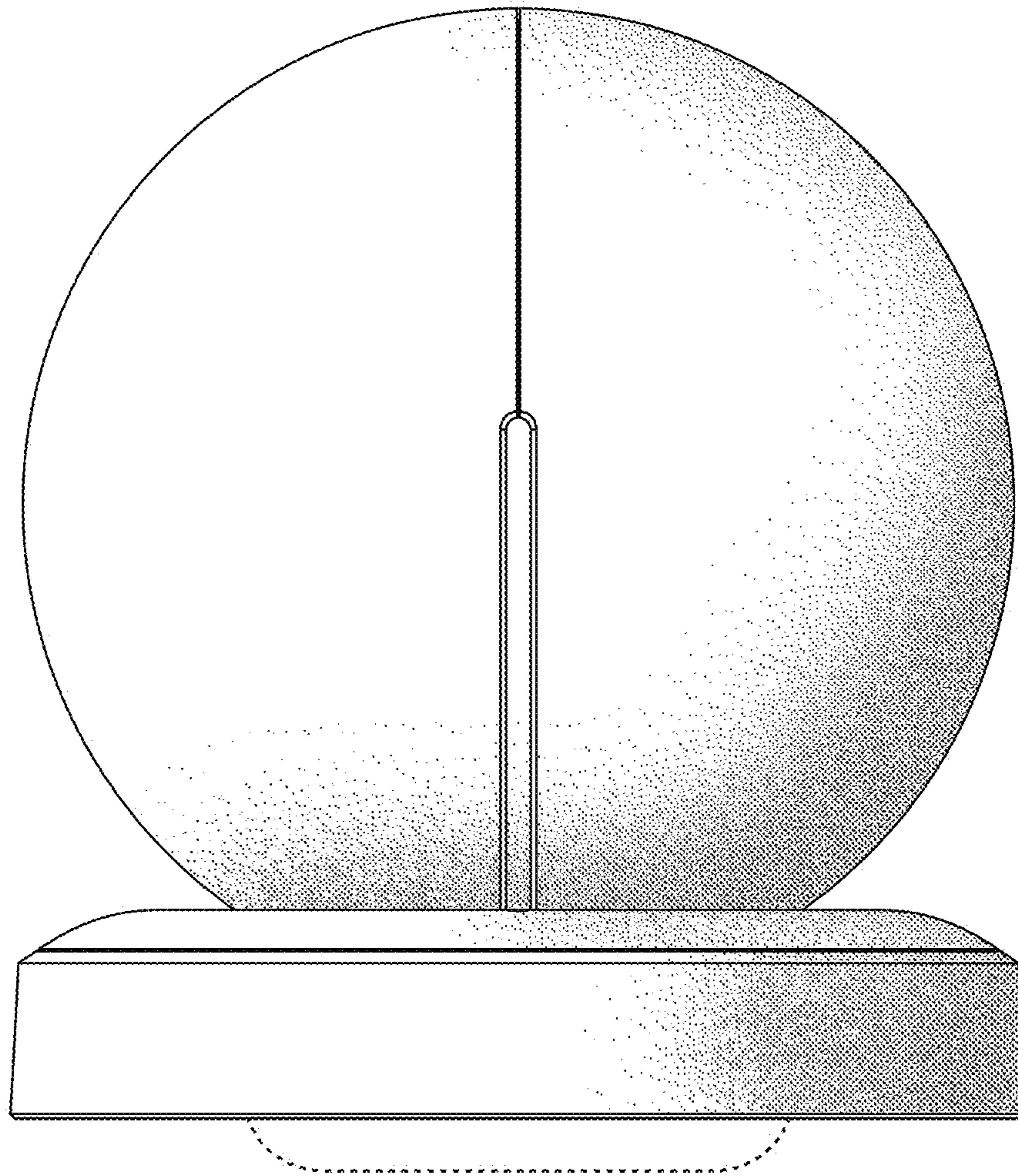


FIG. 7

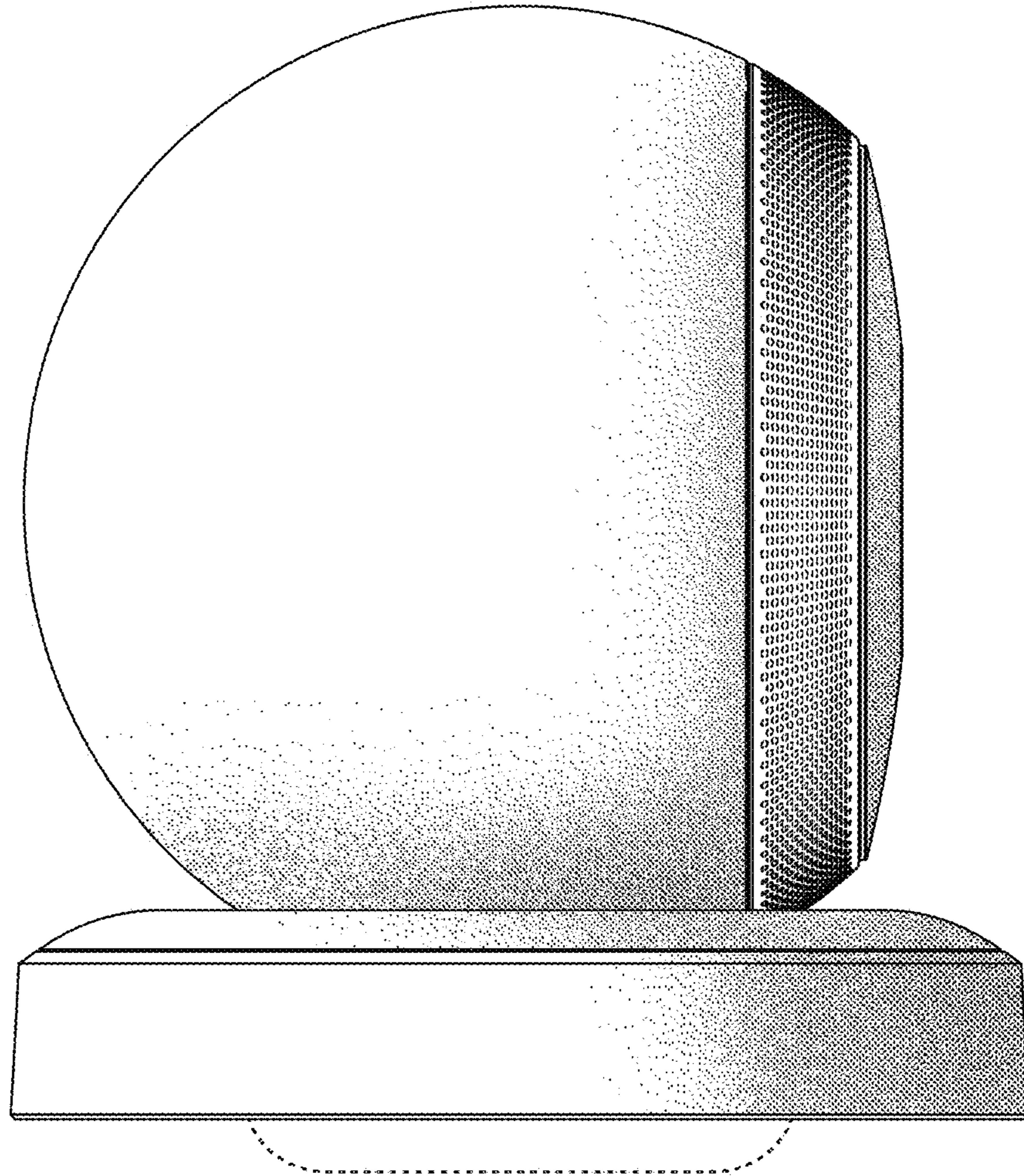


FIG. 8

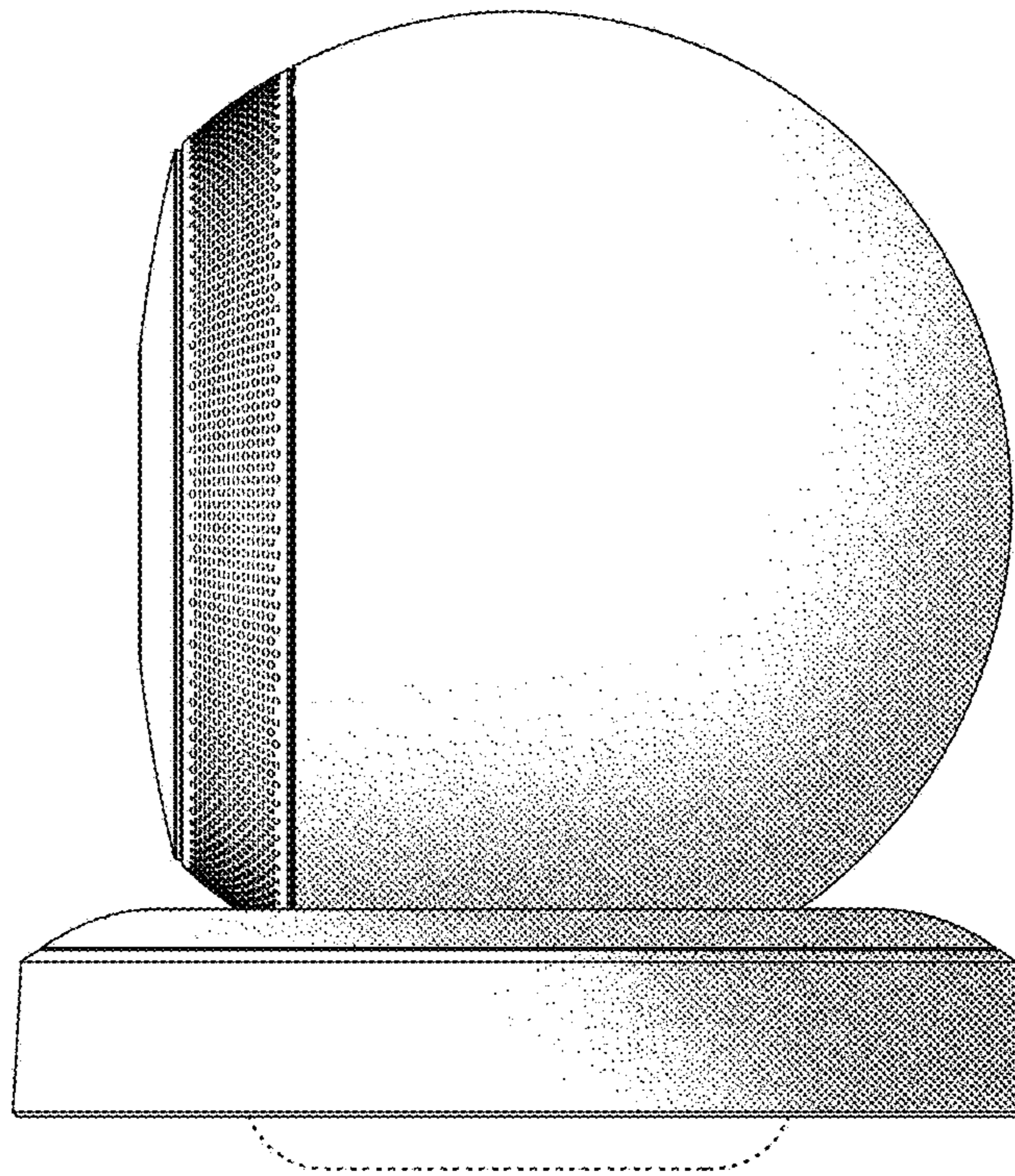


FIG. 9