



US00D810803S

(12) **United States Design Patent**  
**Suzuki**

(10) **Patent No.:** **US D810,803 S**

(45) **Date of Patent:** **\*\* Feb. 20, 2018**

(54) **DIGITAL CAMERA**

(71) Applicant: **OLYMPUS CORPORATION**,  
Hachioji-shi, Tokyo (JP)

(72) Inventor: **Tatsuhiko Suzuki**, Kunitachi (JP)

(73) Assignee: **OLYMPUS CORPORATION**, Tokyo  
(JP)

(\*\*) Term: **15 Years**

(21) Appl. No.: **29/578,000**

(22) Filed: **Sep. 16, 2016**

(30) **Foreign Application Priority Data**

May 17, 2016 (JP) ..... 2016-010423

(51) **LOC (11) Cl.** ..... **16-01**

(52) **U.S. Cl.**  
USPC ..... **D16/202**

(58) **Field of Classification Search**

USPC ..... D16/200–220, 229, 230, 242, 244, 245,  
D16/238, 225; D14/496, 203.1, 203.3,  
D14/203.7; D28/41

CPC ..... H04N 7/181; H04N 7/183; H04N 7/18;  
H04N 3/08; H04N 5/23248; H04N  
5/23287; H04N 5/23258; H04N 5/2251;  
H04N 5/2252; H04N 2007/145; H04N  
7/00; G01C 11/025; G02B 5/00; G03B  
15/00; G03B 15/03; G03B 17/56; G03B  
17/02; G03B 17/30; G03B 17/04; G03B  
17/00; G03B 19/04; G03B 3/00; B60R  
1/00; B60R 2300/105; G08B 13/19619;  
G08B 13/1963; G08B 13/19632; G08B  
13/19621; F16M 11/04; F16M 13/00;  
Y02E 60/12

See application file for complete search history.

(56) **References Cited**

**U.S. PATENT DOCUMENTS**

D154,850 S \* 8/1949 Hertzler ..... D16/216  
D347,851 S \* 6/1994 Kundrath ..... D16/202

D515,605 S \* 2/2006 Hayashi ..... D16/202  
D551,253 S \* 9/2007 Shin ..... D14/496  
D552,126 S \* 10/2007 Lewis ..... D14/496  
D556,801 S \* 12/2007 Kim ..... D16/202  
D589,073 S \* 3/2009 Hibi ..... D16/218  
D671,157 S \* 11/2012 Richardson ..... D16/202

(Continued)

**FOREIGN PATENT DOCUMENTS**

CN 303950034 \* 11/2016  
CN 304045875 \* 2/2017  
JP D1560890 \* 10/2016

**OTHER PUBLICATIONS**

Olympus Action Camera Stylus TG-Tracker, May 10, 2016, [site visited Aug. 11, 2017] Available from Internet, URL: <<http://a-graph.jp/2016/05/10/16327>>.\*

(Continued)

*Primary Examiner* — Barbara Fox

*Assistant Examiner* — Mary C Ramirez

(74) *Attorney, Agent, or Firm* — Holtz, Holtz & Volek PC

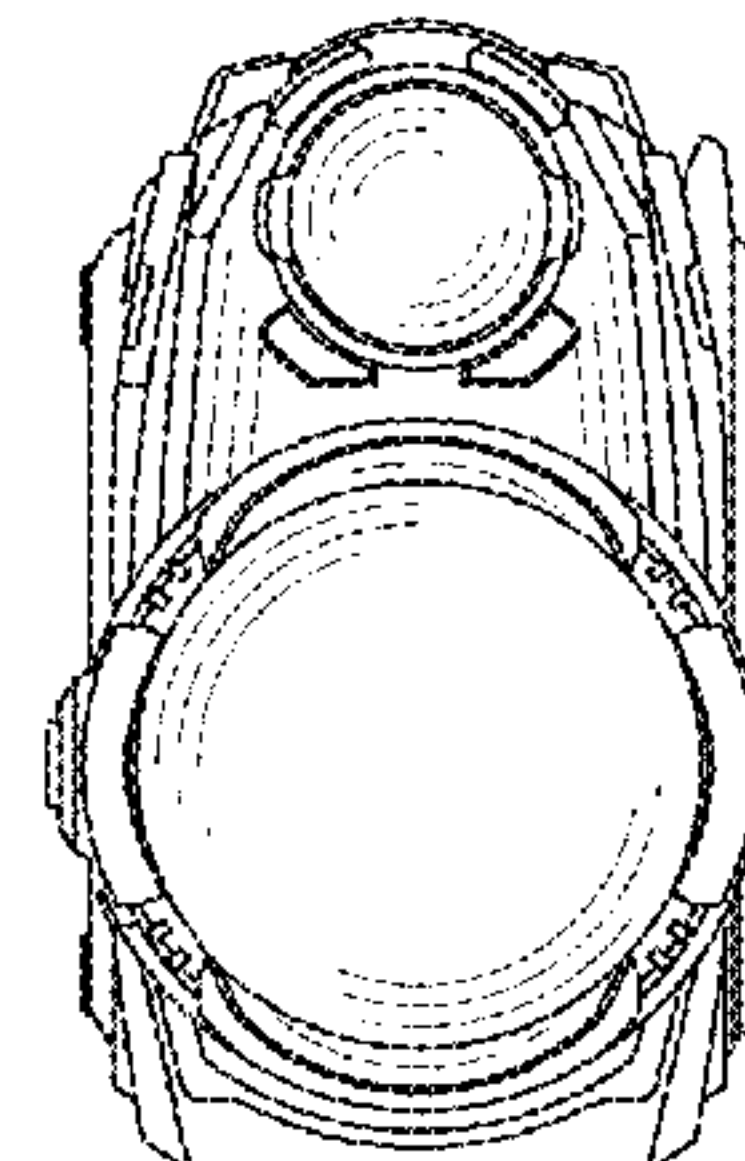
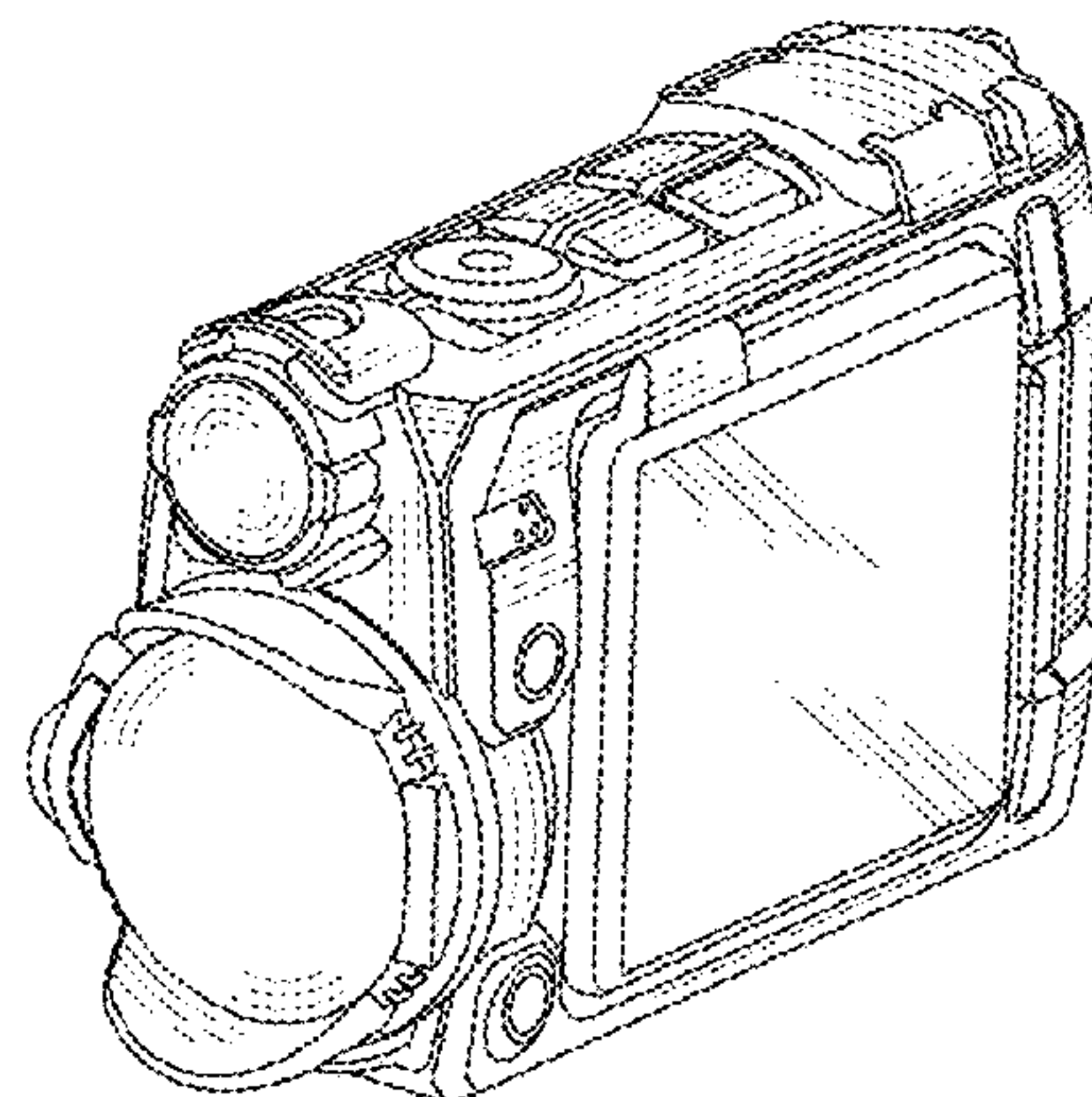
(57) **CLAIM**

The ornamental design for a digital camera, as shown.

**DESCRIPTION**

FIG. 1 is a front, top and right side perspective view of a digital camera showing my new design;  
FIG. 2 is a rear, top and left side perspective view thereof;  
FIG. 3 is a front elevational view thereof;  
FIG. 4 is a rear elevational view thereof;  
FIG. 5 is a top plan view thereof;  
FIG. 6 is a bottom plan view thereof;  
FIG. 7 is a right side elevational view thereof; and,  
FIG. 8 is a left side elevational view thereof.

**1 Claim, 5 Drawing Sheets**



(56)

**References Cited**

U.S. PATENT DOCUMENTS

D686,267 S \* 7/2013 Mihara ..... D16/202  
D687,875 S \* 8/2013 Sasaki ..... D16/202

OTHER PUBLICATIONS

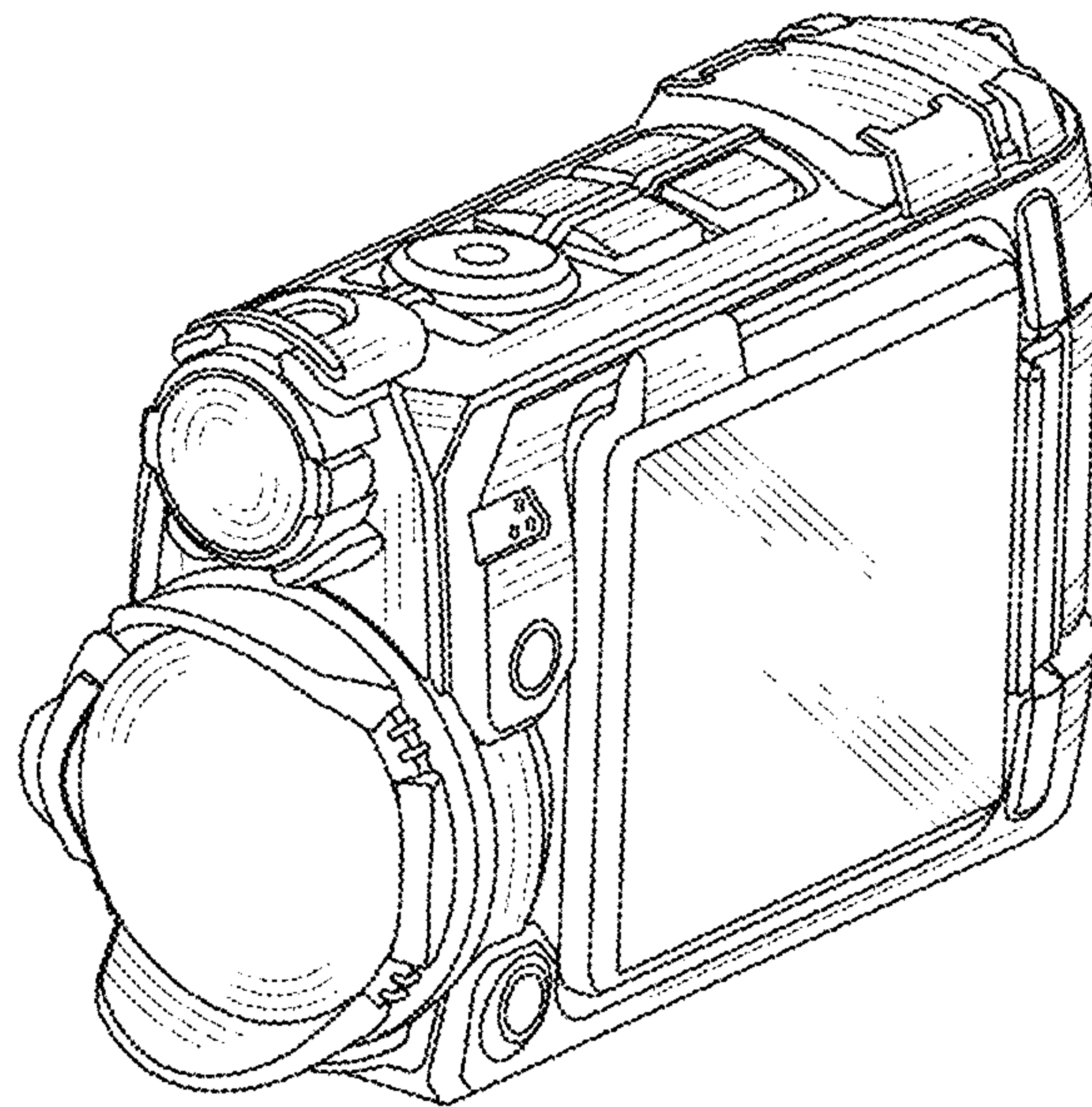
Olympus Stylus TG Tracker, announced May 23, 2016 [online], [site visited Aug. 11, 2017] Available from Internet, URL: <[https://www.youtube.com/watch?v=m8-0QGw-w\\_g](https://www.youtube.com/watch?v=m8-0QGw-w_g)> @ approximately 2:15.\*

Olympus TG-Tracker Review, announced May 24, 2016 [online], [site visited Aug. 11, 2017] Available from Internet, URL: <<http://www.imaging-resource.com/PRODS/olympus-tg-tracker/olympus-tg-trackerA.HTM>>.\*

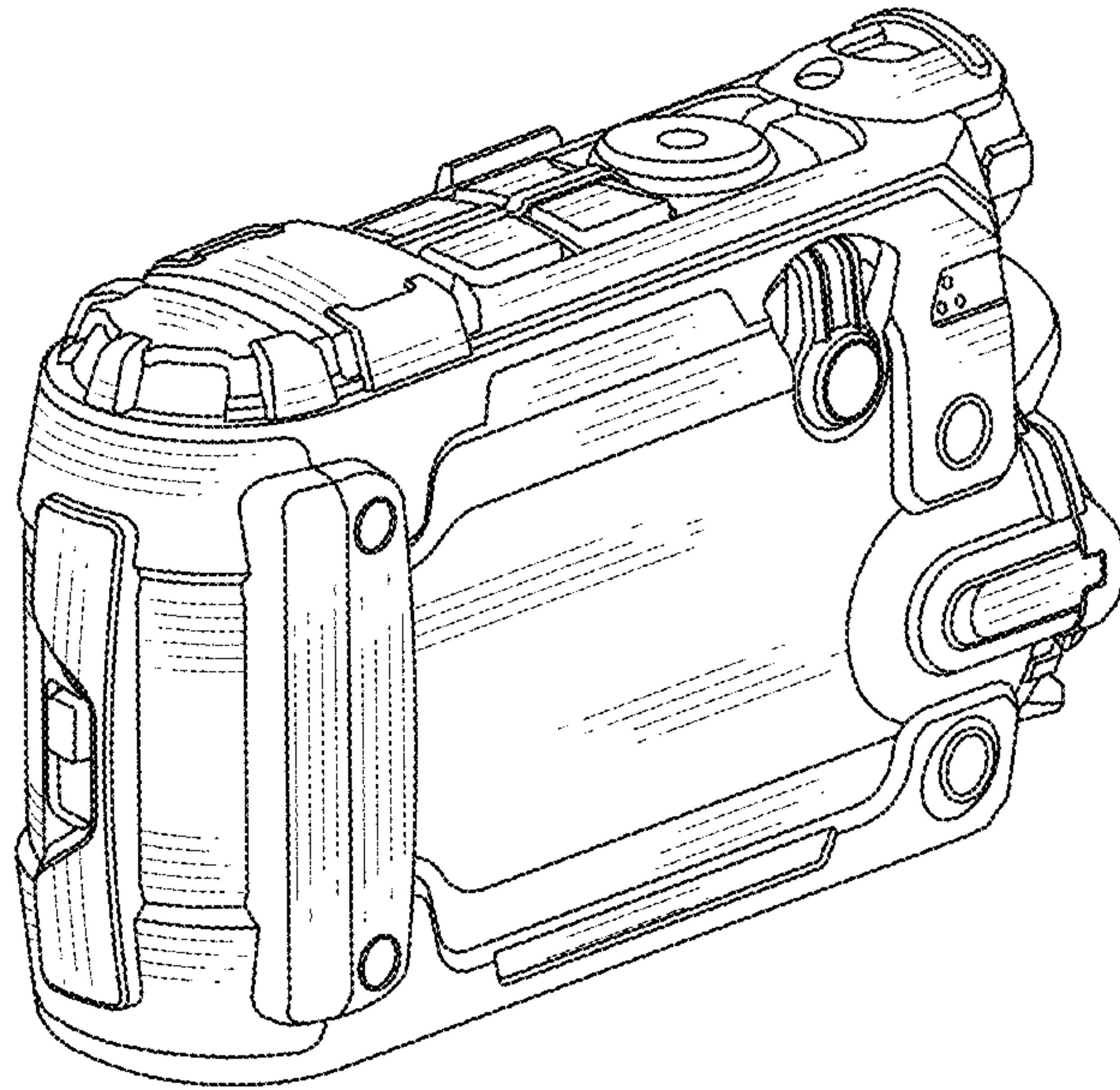
Rumor Olympus Stylus TG-Tracker, announced May 9, 2016, [site visited Aug. 11, 2017] Available from Internet, URL: <<http://www.nokishita-camera.com/2016/05/stylus-tg-tracker.html>>.\*

\* cited by examiner

**FIG. 1**

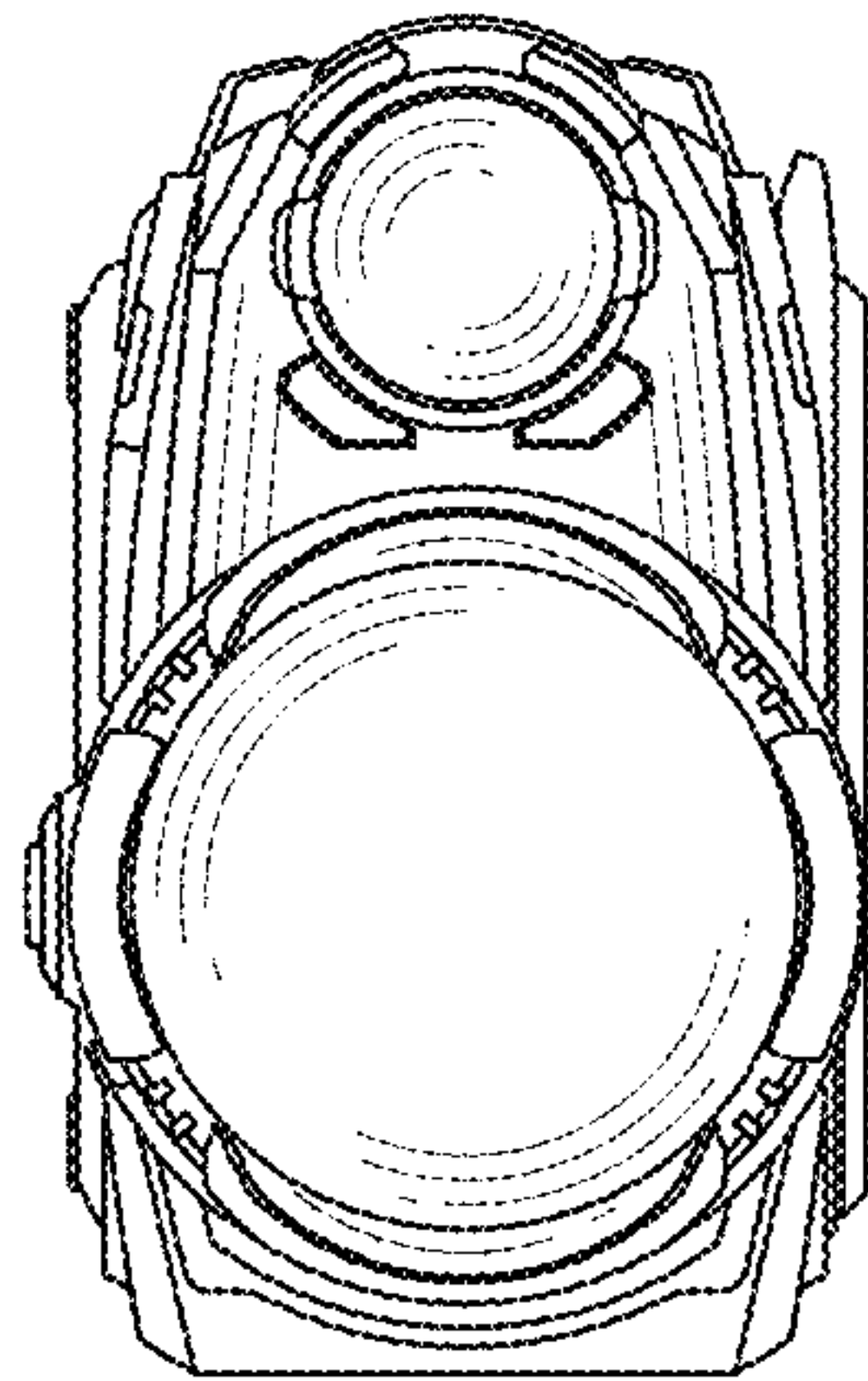


**FIG.2**

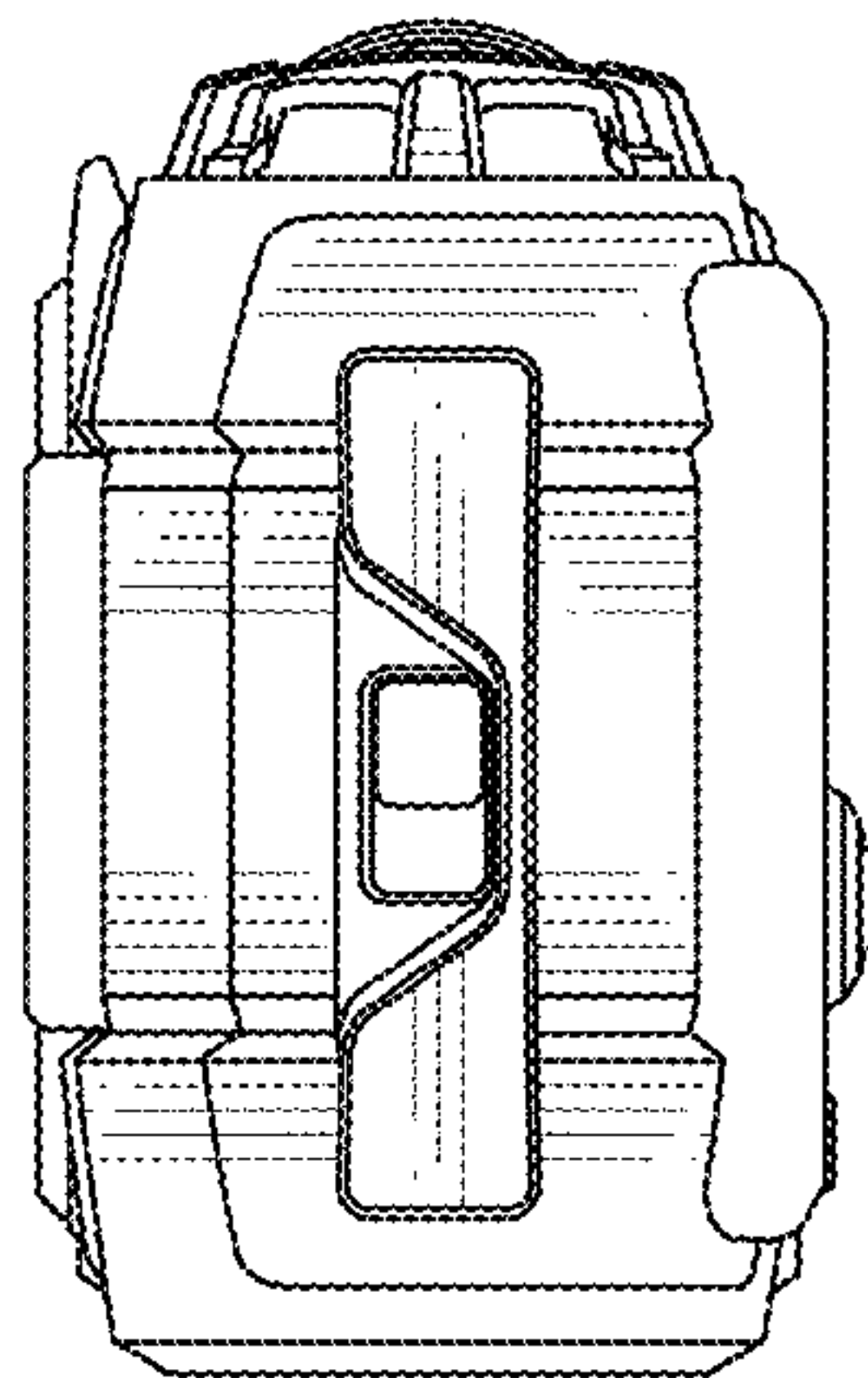




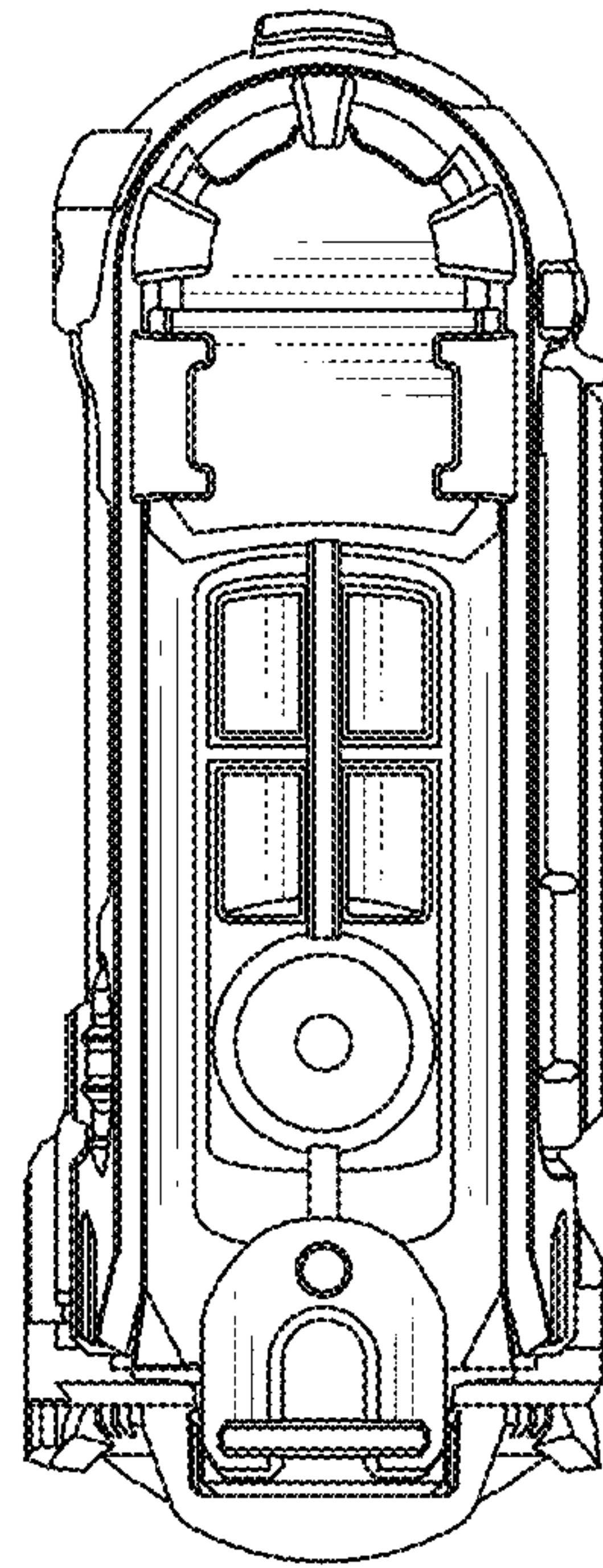
**FIG.3**



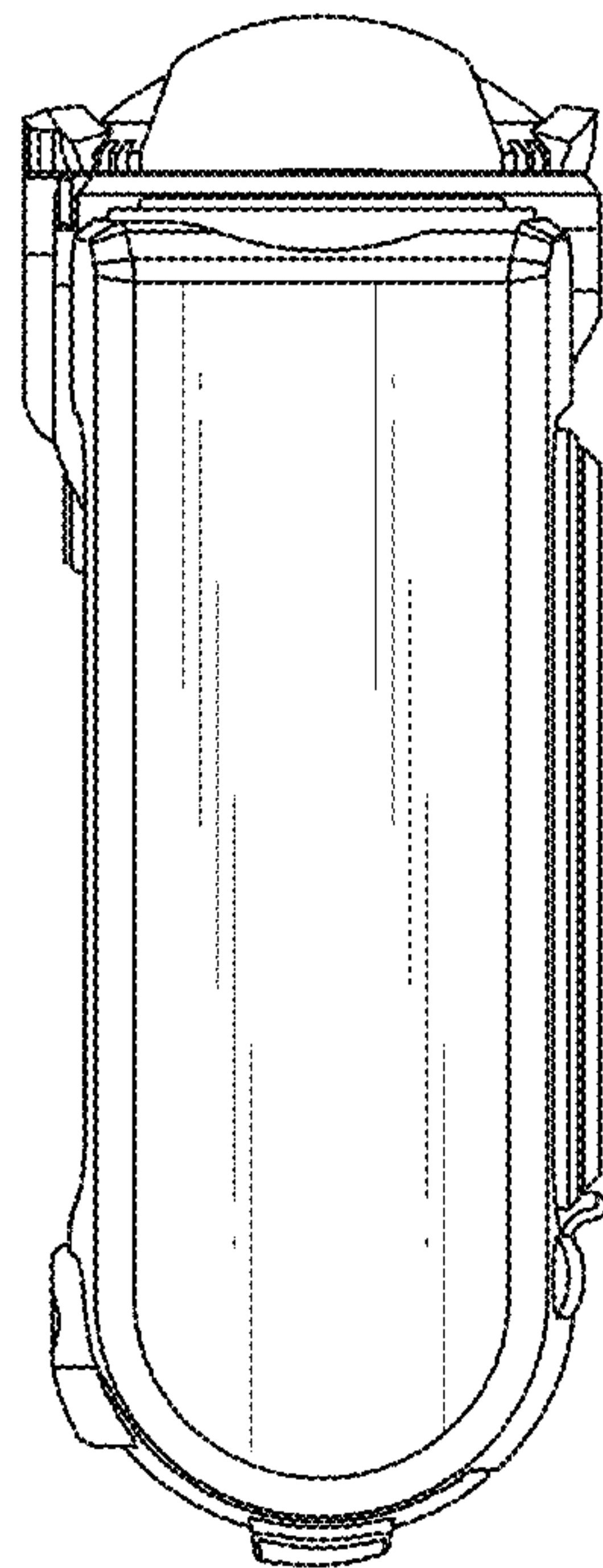
**FIG4**



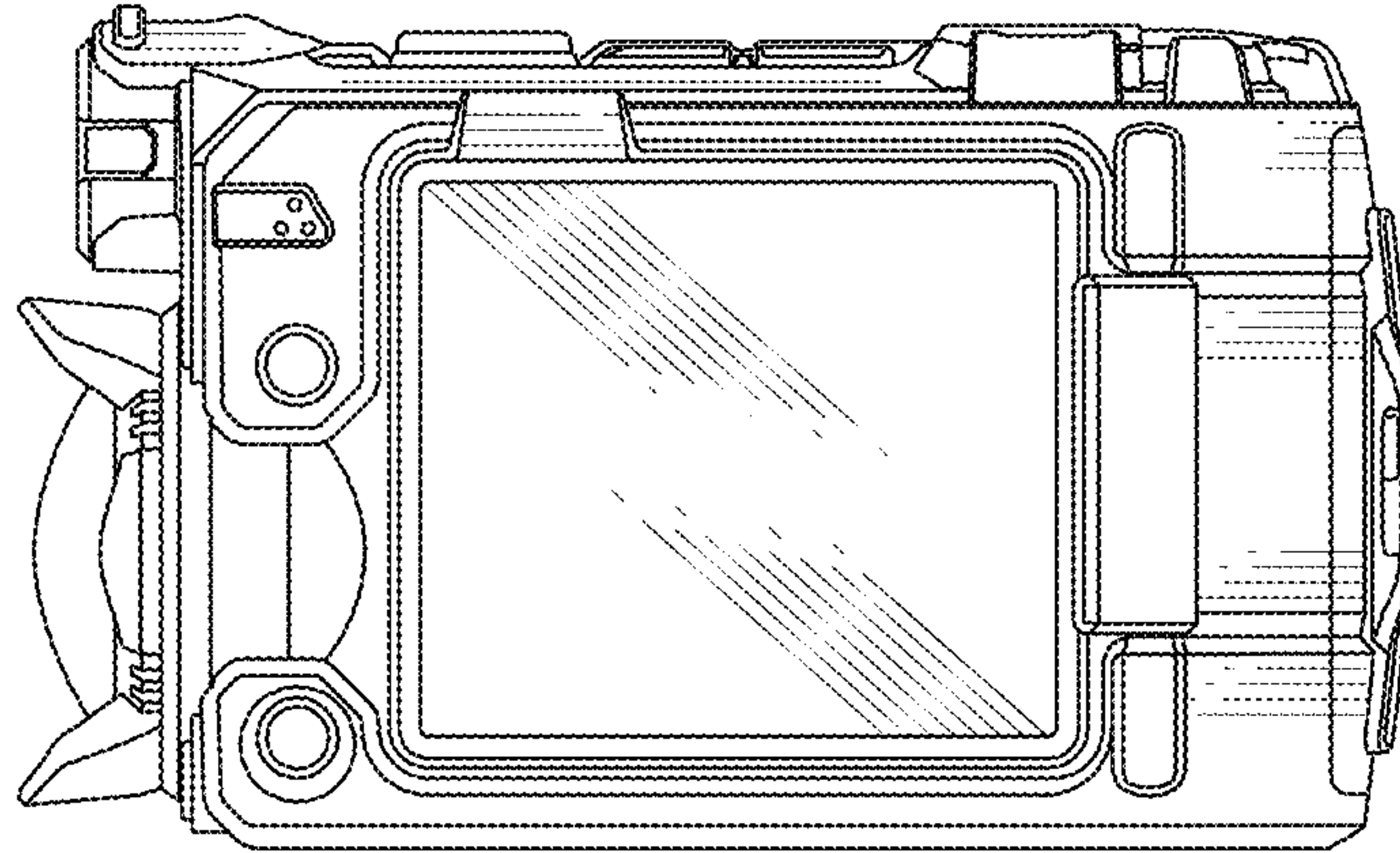
**FIG.5**



**FIG.6**



**FIG.7**



**FIG.8**

