



US00D810802S

(12) **United States Design Patent**
Schulze

(10) **Patent No.:** **US D810,802 S**
(45) **Date of Patent:** **** Feb. 20, 2018**

(54) **CAMERA**

G08B 13/1963; G08B 13/19632; G08B
13/19621; F16M 11/04; F16M 13/00;
Y02E 60/12

(71) Applicant: **VITRONIC Dr.-Ing. Stein**
Bildverarbeitungssysteme GmbH,
Wiesbaden (DE)

See application file for complete search history.

(72) Inventor: **Andreas Schulze,** Hunfelden (DE)

(56) **References Cited**

(73) Assignee: **VITRONIC Dr.-Ing. Stein**
Bildverarbeitungssysteme GmbH,
Wiesbaden (DE)

U.S. PATENT DOCUMENTS

(**) Term: **15 Years**

D234,317 S * 2/1975 Woods D16/213
D241,656 S * 9/1976 Genaro et al. D14/130
D355,205 S * 2/1995 Yokoi D16/202
5,828,986 A * 10/1998 Horigome H04N 1/00283
152/900
D416,930 S * 11/1999 Choi D14/130

(21) Appl. No.: **29/575,479**

(Continued)

(22) Filed: **Aug. 25, 2016**

OTHER PUBLICATIONS

(30) **Foreign Application Priority Data**

Vicam 3S, announced 2017 [online], [site visited Aug. 17, 2017],
Available from Internet URL: <<http://www.wetzlar-network.de/Magazin/Trends/Smart-Case-Studies-a675.html>>.*

Feb. 25, 2016 (EM) 003001460-0001

(Continued)

(51) **LOC (11) Cl.** **16-01**

(52) **U.S. Cl.**
USPC **D16/202**

Primary Examiner — Barbara Fox

Assistant Examiner — Mary C Ramirez

(74) *Attorney, Agent, or Firm* — The Webb Law Firm

(58) **Field of Classification Search**

(57) **CLAIM**

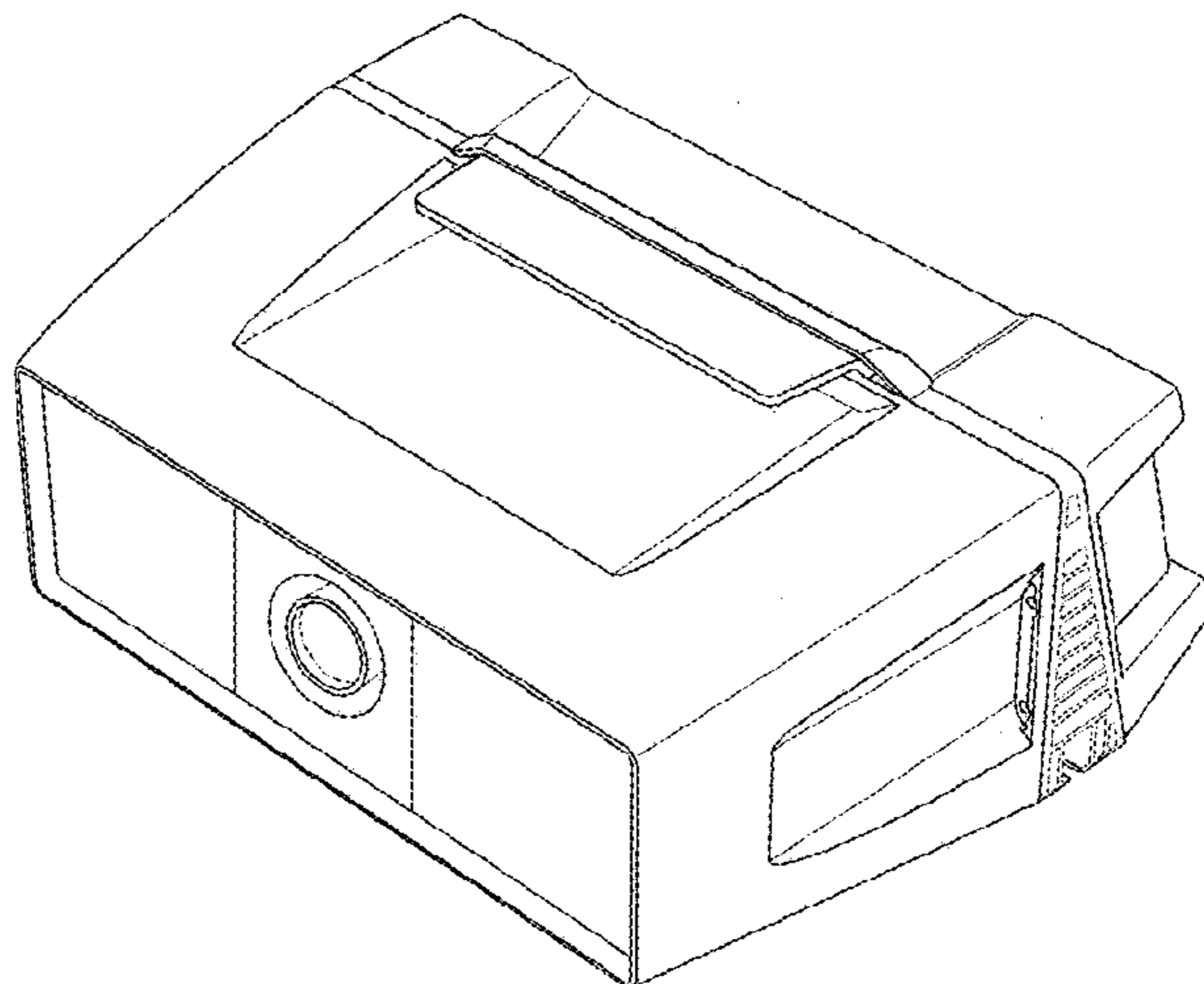
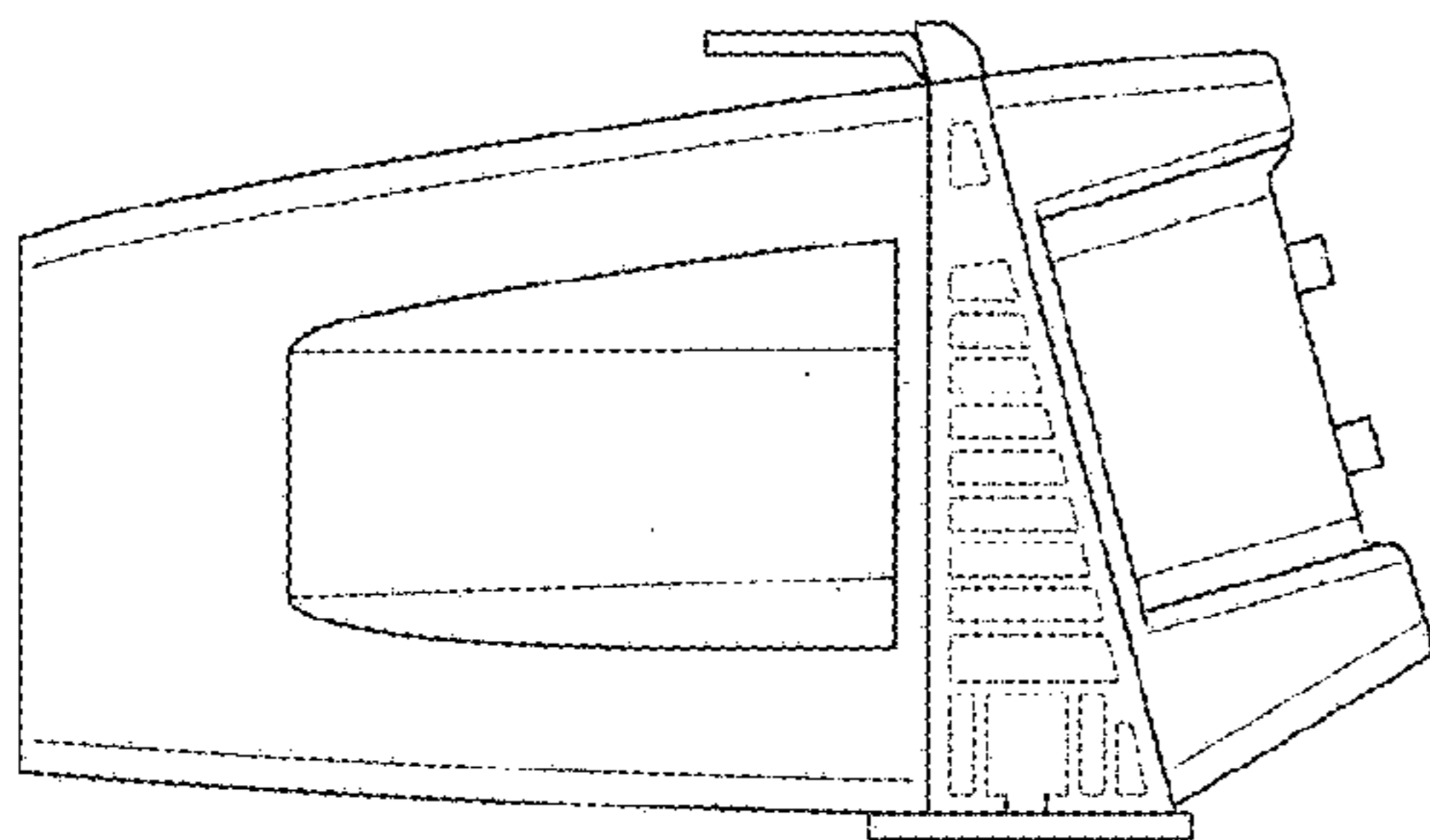
The ornamental design for a camera, as shown and described.

USPC D16/200–220, 229, 230, 242, 244, 245,
D16/238, 225; D14/496, 203.1, 203.3,
D14/203.7, 240, 356, 358; D28/41;
D1/109, 107, 106; D2/868, 869, 883,
D2/884, 894, 895, 873; D29/122;
D12/400; D11/158, 224, 181, 239, 31,
D11/49, 82, 100, 128, 157; D21/617,
D21/618, 611, 620, 652, 654, 656, 655
CPC H04N 7/181; H04N 7/183; H04N 7/18;
H04N 3/08; H04N 5/23248; H04N
5/23287; H04N 5/23258; H04N 5/2251;
H04N 5/2252; H04N 2007/145; H04N
7/00; G01C 11/025; G02B 5/00; G03B
15/00; G03B 15/03; G03B 17/56; G03B
17/02; G03B 17/30; G03B 17/04; G03B
17/00; G03B 19/04; G03B 3/00; B60R
1/00; B60R 2300/105; G08B 13/19619;

DESCRIPTION

FIG. 1 is a front view of a camera showing our new design;
FIG. 2 is a top view thereof;
FIG. 3 is a bottom view thereof;
FIG. 4 is a right side view thereof;
FIG. 5 is a front, right perspective view thereof;
FIG. 6 is a rear, right perspective view thereof; and,
FIG. 7 is a front, left, bottom perspective view thereof.
The broken lines shown in the drawings depict portions of
the camera that do not form part of the claimed design.

1 Claim, 7 Drawing Sheets



(56)

References Cited

U.S. PATENT DOCUMENTS

D433,046	S	*	10/2000	Hall	D14/130
D483,386	S	*	12/2003	Narducci	D16/202
D629,031	S	*	12/2010	Su	D16/202
D654,942	S	*	2/2012	Khamsepoor	D16/202
D664,579	S	*	7/2012	Tzeng	D16/202
D678,380	S	*	3/2013	Pardo	D16/202
D680,146	S	*	4/2013	Tsai	D16/202
D694,796	S	*	12/2013	Tsai	D16/202
D710,361	S	*	8/2014	Park	D14/420
D725,171	S	*	3/2015	Mita	D16/202
D747,386	S	*	1/2016	Li	D16/208
D760,311	S	*	6/2016	Cho	D16/218
D783,075	S	*	4/2017	Maxwell	D16/202

OTHER PUBLICATIONS

VICAM3S, announced Jun. 29, 2017 [online], [site visited Aug. 17, 2017], Available from Internet URL: <https://twitter.com/as_schulze>.*

Vitronic Vicam 3s, announced May 18, 2016, [online], [site visited Aug. 17, 2017], Available from Internet URL: <<https://www.youtube.com/watch?v=W1w9bTXSJng>> at approximately 0:27.*

Vitronic, announced Jun. 8, 2016 [online], [site visited Aug. 17, 2017], Available from Internet URL: <<https://www.youtube.com/watch?v=TBCCGJXOEwU>> at approximately 1:04.*

* cited by examiner

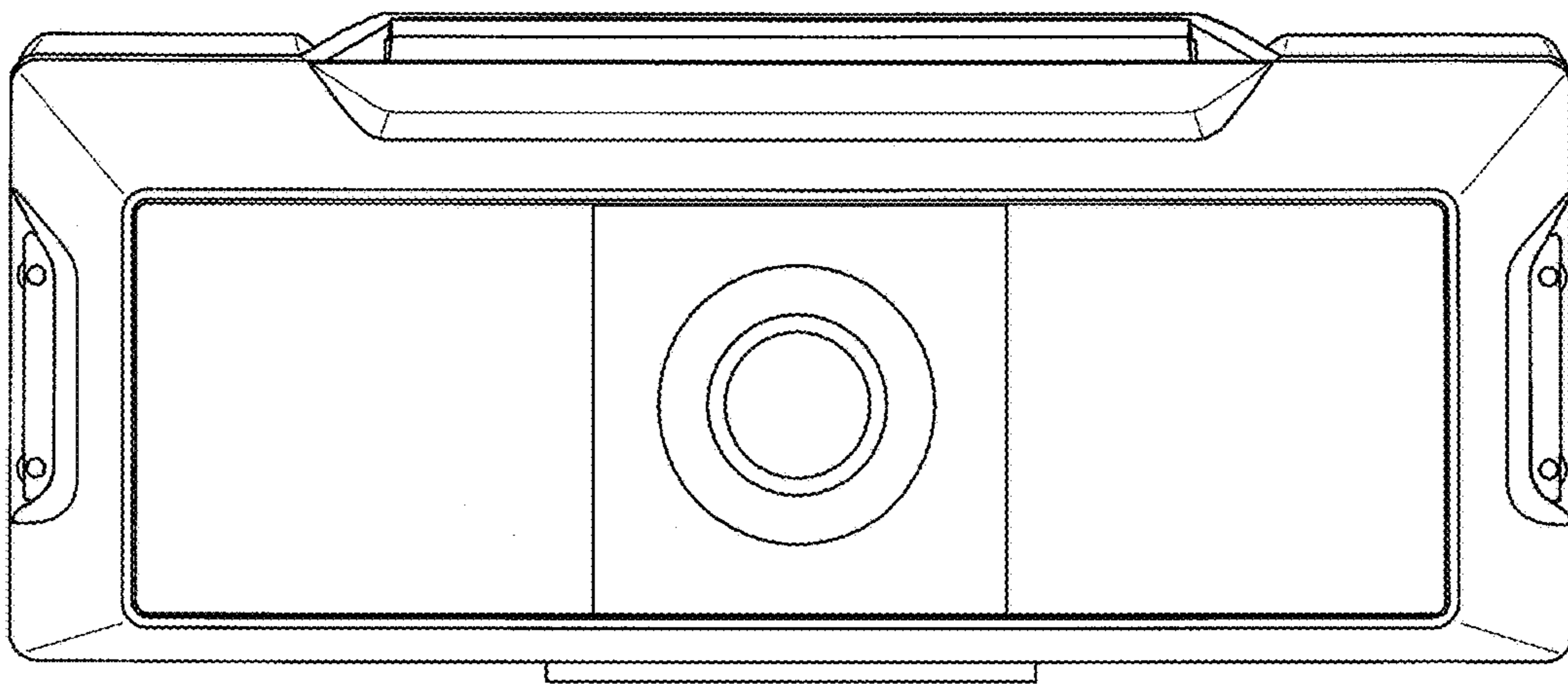


FIG. 1

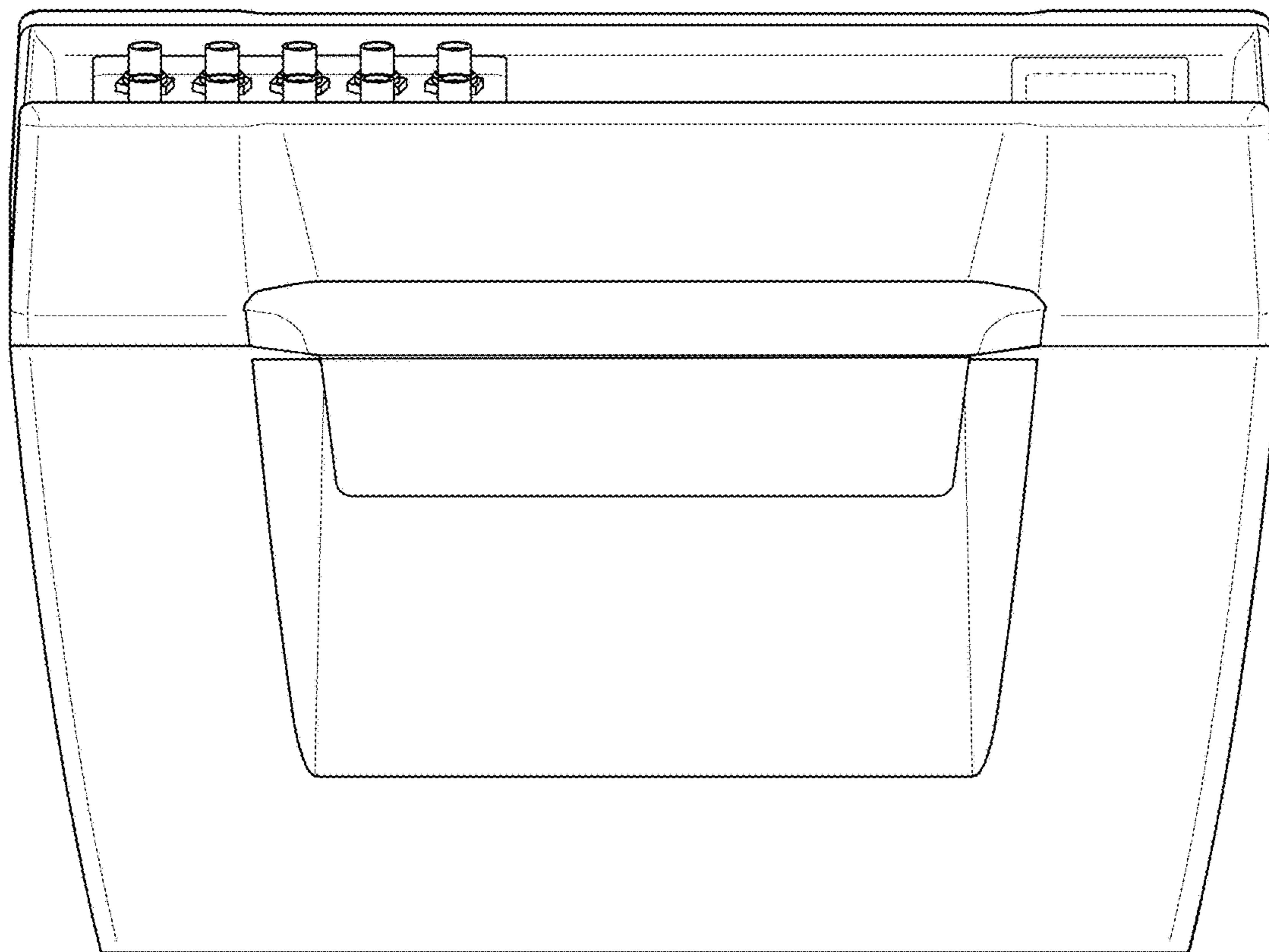


FIG. 2

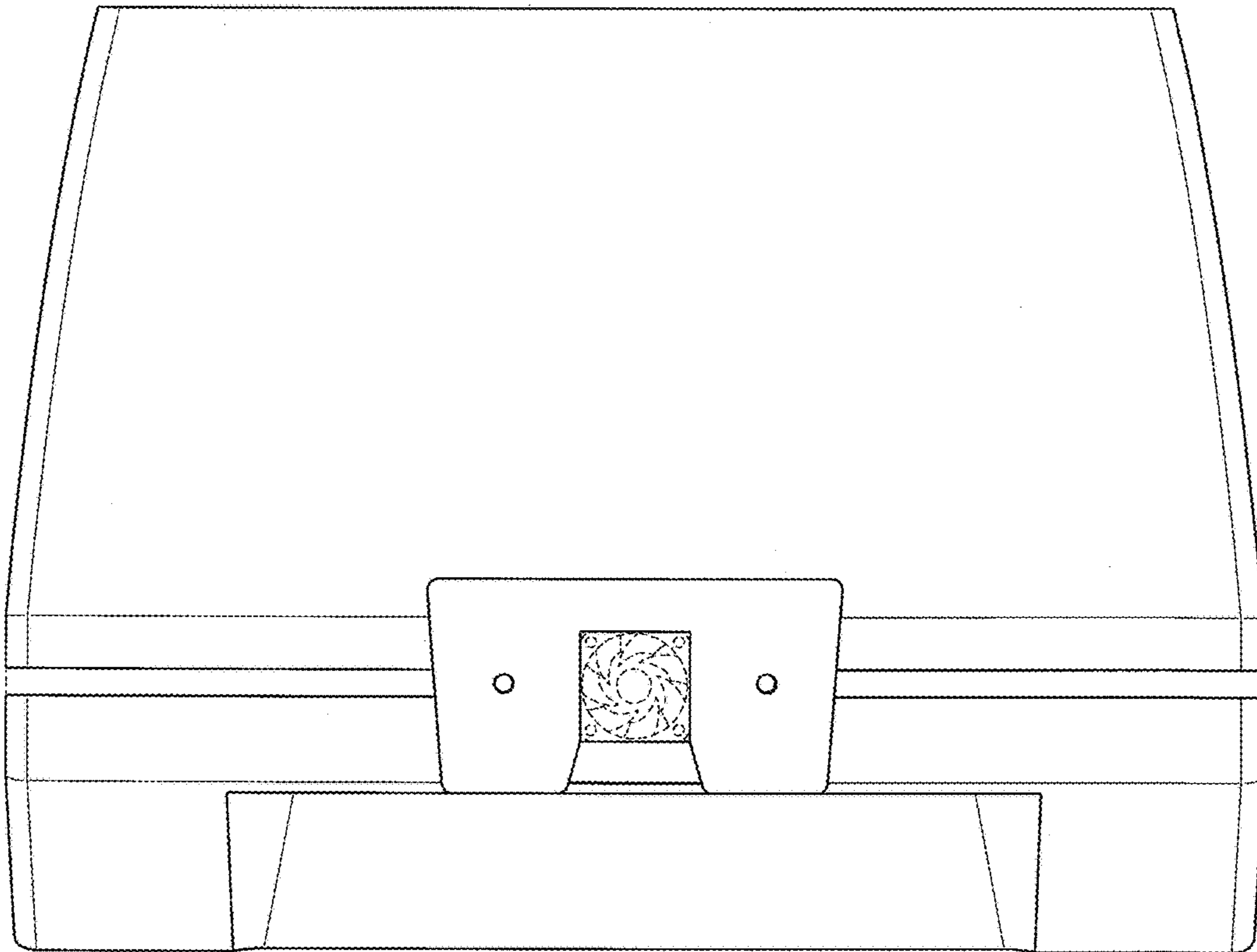


FIG. 3

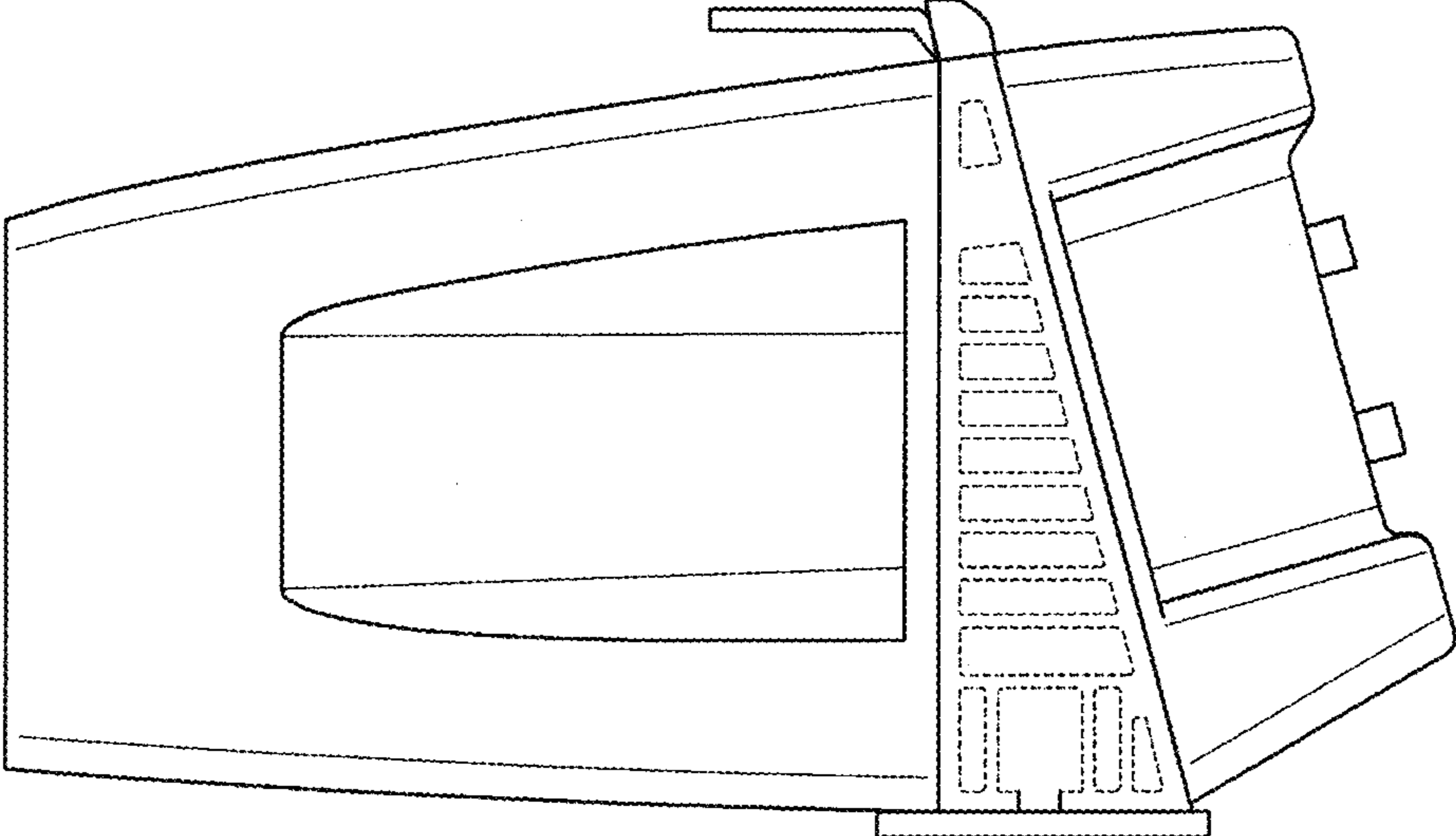


FIG. 4

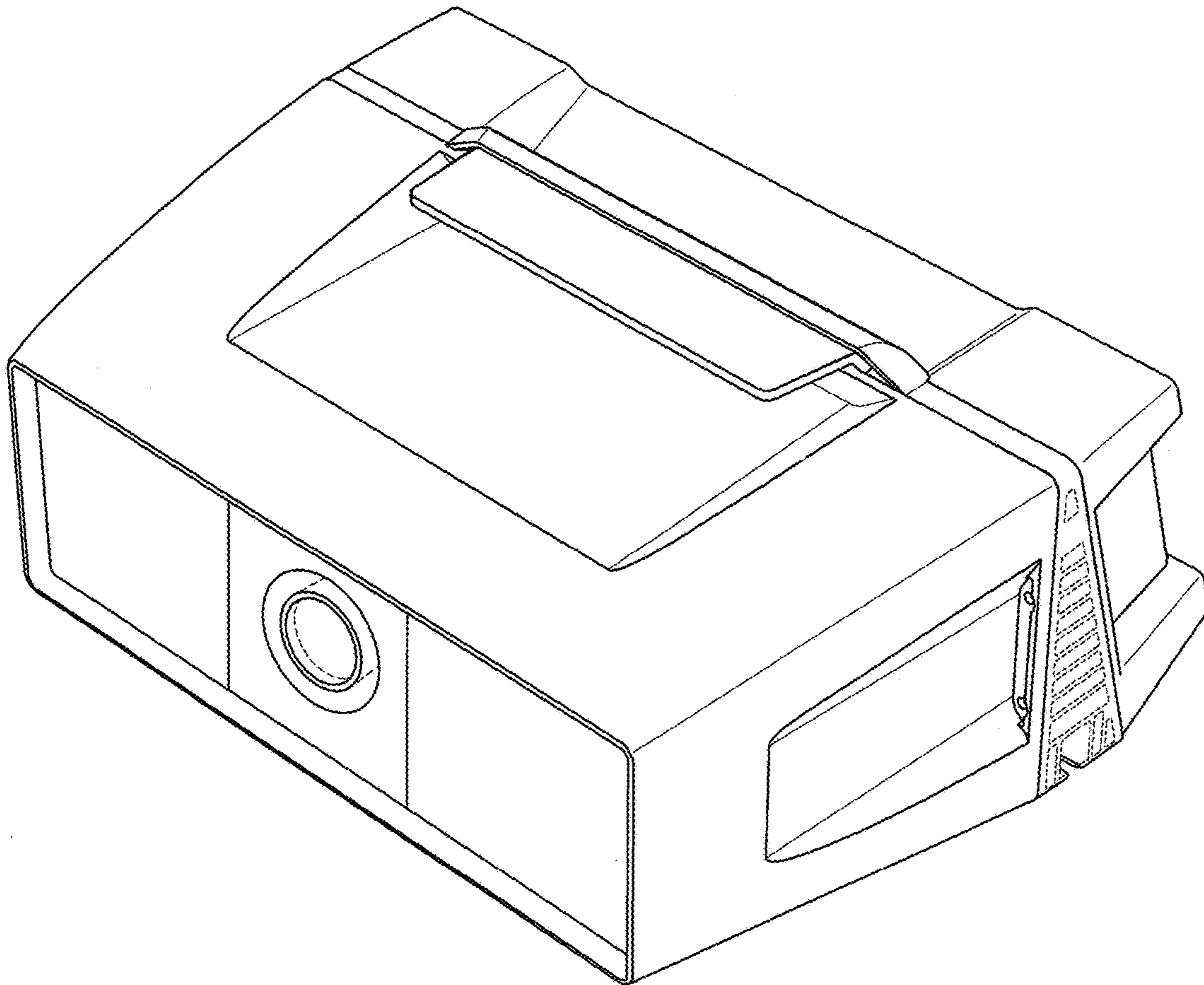


FIG. 5

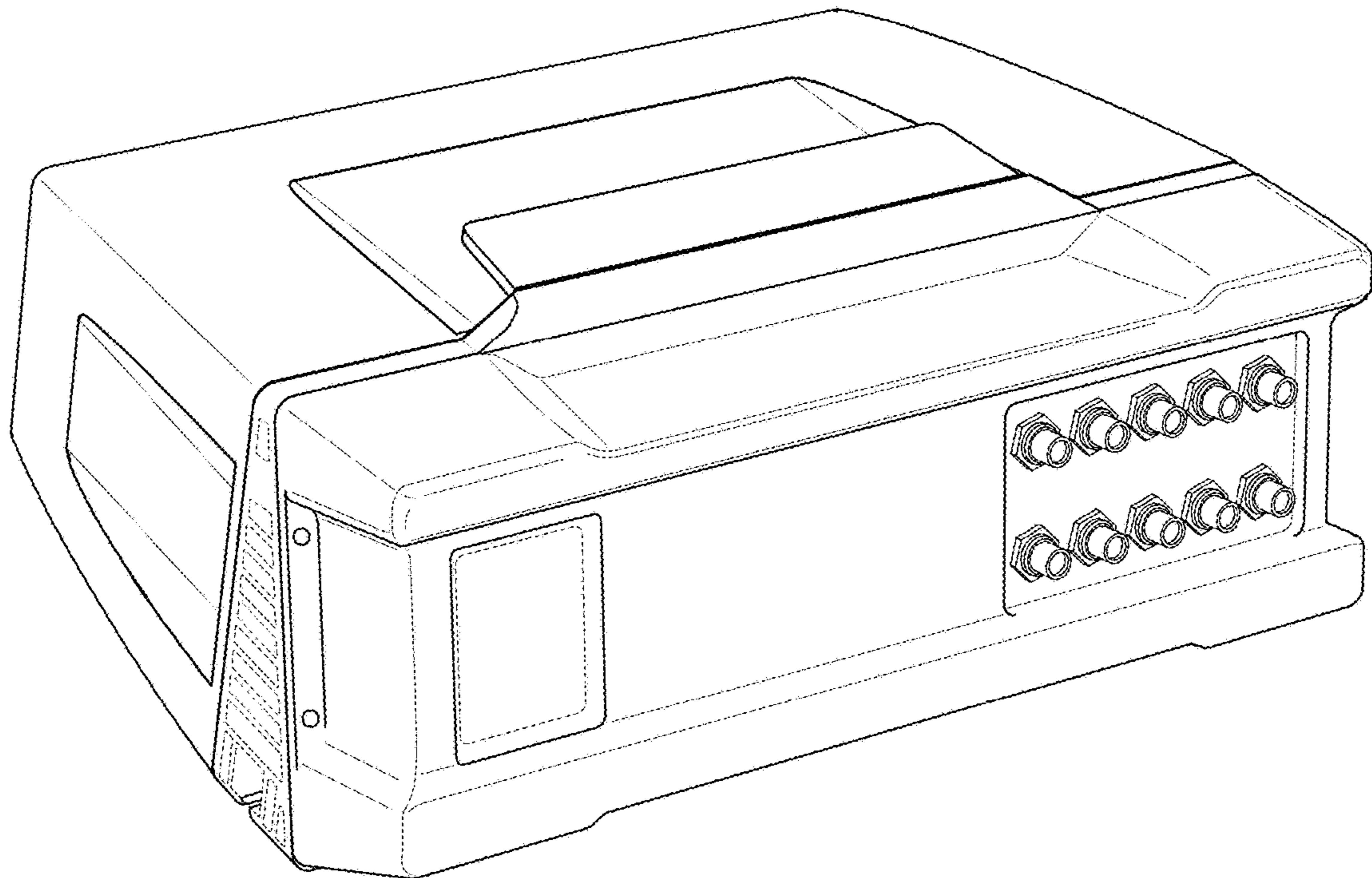


FIG. 6

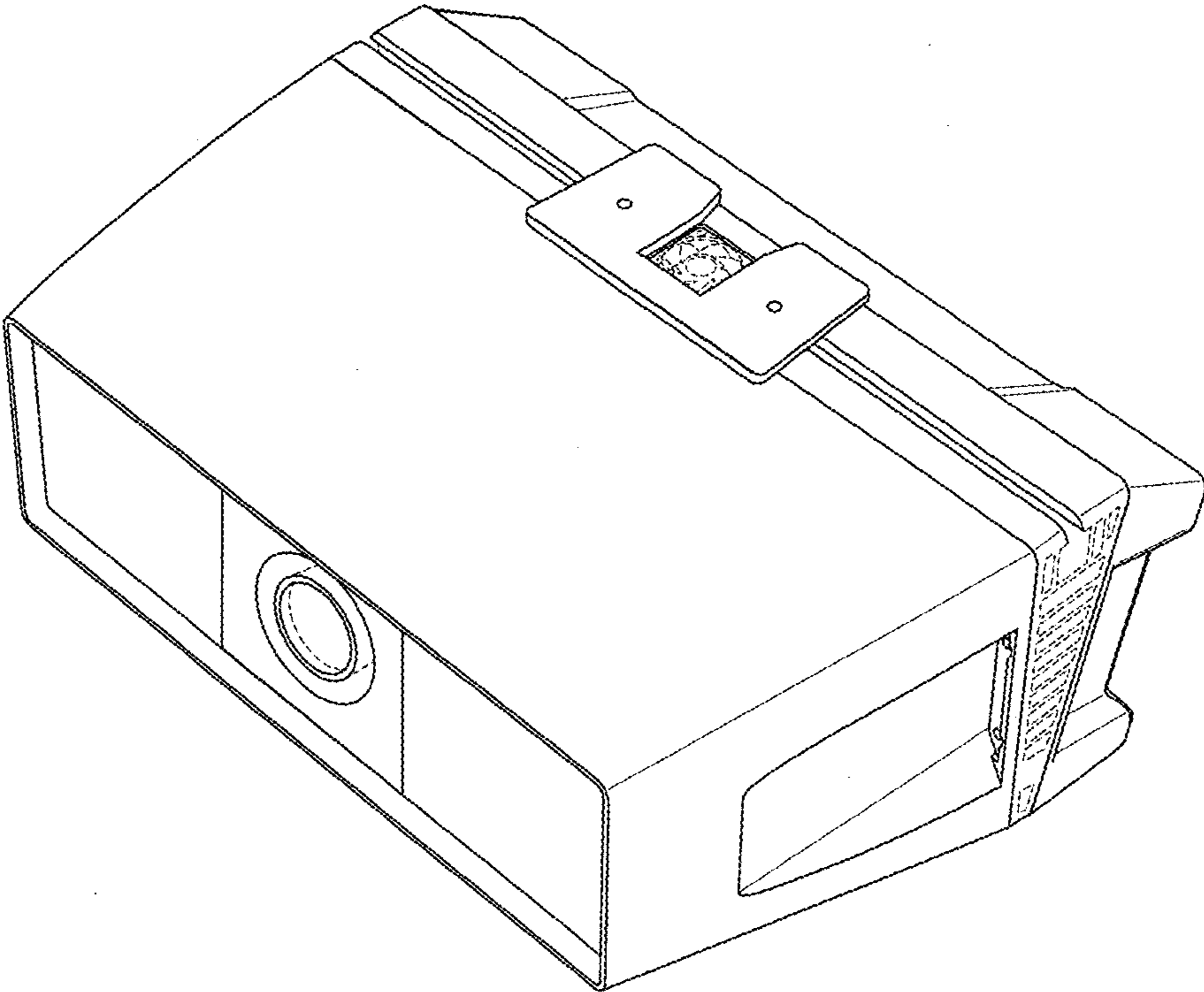


FIG. 7