



US00D810799S

(12) **United States Design Patent**
Sokuza et al.

(10) **Patent No.:** **US D810,799 S**
(45) **Date of Patent:** **** Feb. 20, 2018**

(54) **AUTOMATIC GUIDED VEHICLE**
(71) Applicant: **Nidec Shimpo Corporation**,
Nagaokakyo-shi, Kyoto (JP)
(72) Inventors: **Masashi Sokuza**, Nagaokakyo (JP);
Masahiro Akamatsu, Nagaokakyo (JP);
Norio Deguchi, Nagaokakyo (JP)
(73) Assignee: **NIDEC SHIMPO CORPORATION**,
Kyoto (JP)
(**) Term: **15 Years**

(21) Appl. No.: **29/566,611**
(22) Filed: **Jun. 1, 2016**

(30) **Foreign Application Priority Data**
Dec. 1, 2015 (JP) 2015-026850
(51) **LOC (11) Cl.** **15-09**
(52) **U.S. Cl.**
USPC **D15/199**
(58) **Field of Classification Search**
USPC D15/199; D21/578; D24/18, 28, 34
CPC G05D 1/0022; G05D 2201/0209; G08C
17/00; G08C 2201/40
See application file for complete search history.

(56) **References Cited**
U.S. PATENT DOCUMENTS
3,628,624 A * 12/1971 Wesener B62D 1/28
180/168
4,077,535 A * 3/1978 Oriol A61G 12/001
180/14.1
4,137,984 A * 2/1979 Jennings B62D 1/28
180/168
D262,613 S * 1/1982 Frees D34/34
D273,300 S * 4/1984 Molaug D15/122

4,496,274 A * 1/1985 Pipes B60L 11/1877
104/34
4,596,412 A * 6/1986 Everett B60R 19/42
200/52 R
4,657,463 A * 4/1987 Pipes B62D 1/24
180/167
D295,105 S * 4/1988 Dawson D34/18
(Continued)

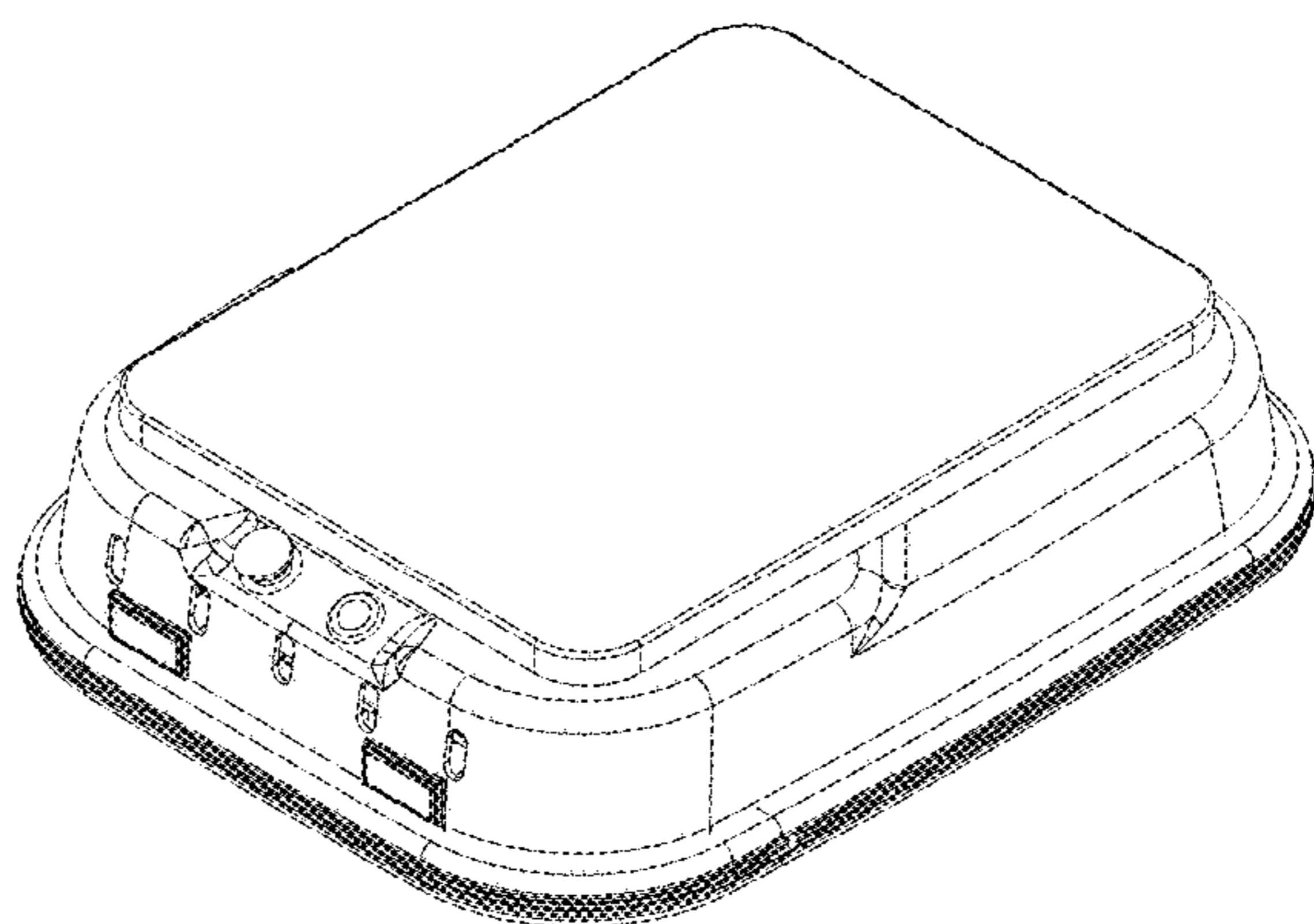
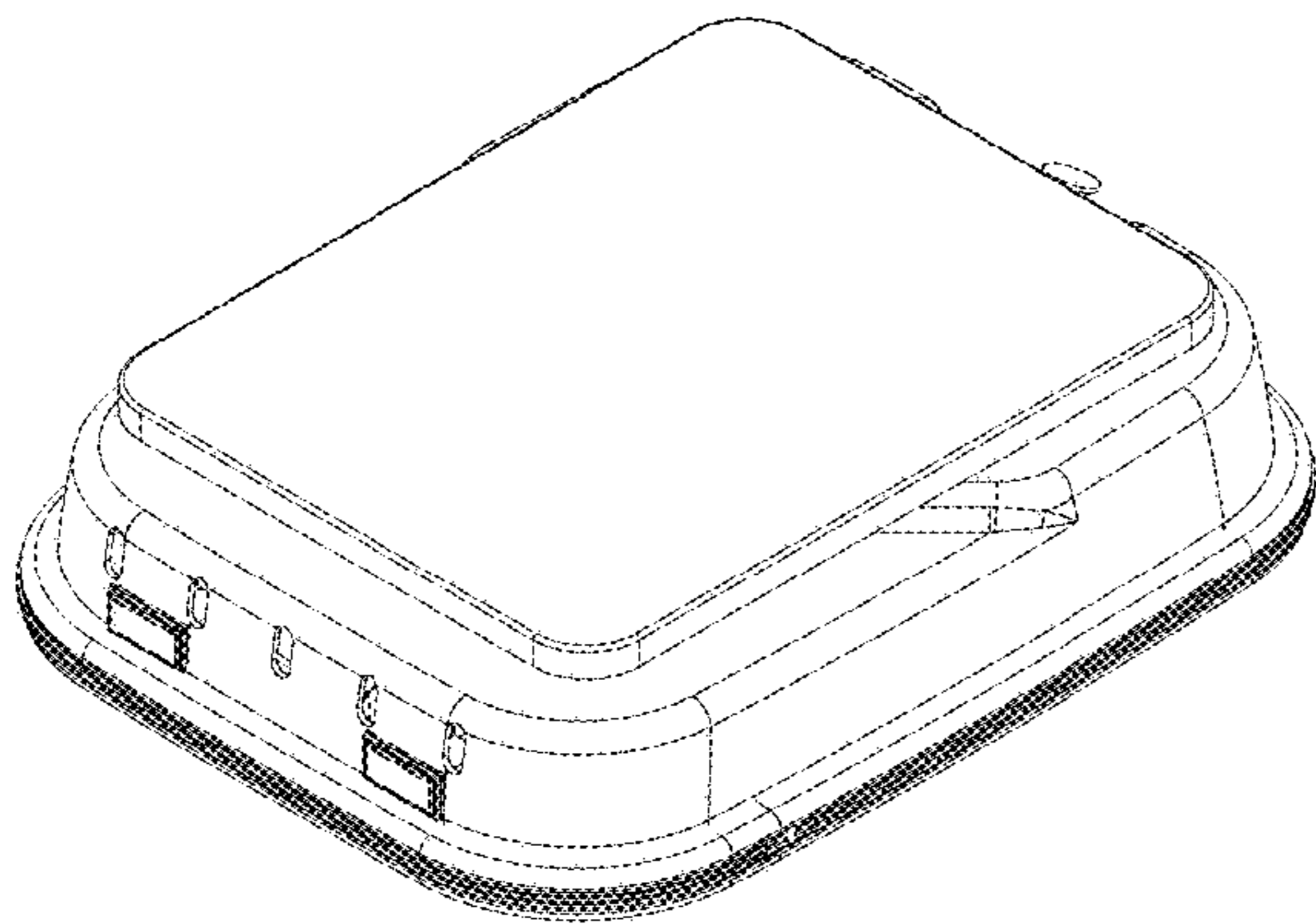
Primary Examiner — Patricia A Palasik
(74) *Attorney, Agent, or Firm* — Keating & Bennett, LLP

(57) **CLAIM**
The ornamental design for automatic guided vehicle, as shown and described.

DESCRIPTION

FIG. 1 is a front view of a first automatic guided vehicle showing our new design;
FIG. 2 is a rear view thereof;
FIG. 3 is a left side view thereof;
FIG. 4 is a right side view thereof;
FIG. 5 is a top view thereof;
FIG. 6 is a bottom view thereof;
FIG. 7 is a top, front, and right side perspective view thereof;
FIG. 8 is a top, rear, and left side perspective view thereof;
FIG. 9 is a front and right side perspective view thereof;
FIG. 10 is a bottom view of a second automatic guided vehicle showing our new design;
FIG. 11 is a front view thereof;
FIG. 12 is a left side view thereof;
FIG. 13 is a top, front, and right side perspective view thereof;
FIG. 14 is a top, rear, and left side perspective view thereof;
FIG. 15 is a rear view thereof;
FIG. 16 is a right side view thereof;
FIG. 17 is a top view thereof; and,
FIG. 18 is a front and right side perspective view thereof.

1 Claim, 18 Drawing Sheets



US D810,799 S

(56)

References Cited

U.S. PATENT DOCUMENTS

4,932,831	A *	6/1990	White	B25J 5/005 180/2.1	
4,962,453	A *	10/1990	Pong, Jr.	A47L 11/4011 180/167	
D324,006	S *	2/1992	Oslapas	D12/1	
5,454,129	A *	10/1995	Kell	E04H 4/1654 15/1.7	
5,658,120	A *	8/1997	Watanabe	B23Q 7/1436 280/781	
6,144,180	A *	11/2000	Chen	B62D 57/028 318/568.1	
D555,305	S *	11/2007	Chun	D32/21	
D559,867	S *	1/2008	Abramson	D15/14	
7,353,089	B1 *	4/2008	McEvoy	G05D 1/028 180/167	
D614,251	S *	4/2010	Chung	D15/199	
D617,966	S *	6/2010	Lee	D32/31	
D636,824	S *	4/2011	Wensel	D21/539	
D639,351	S *	6/2011	Newmayer	D21/533	
D672,408	S *	12/2012	Ohler	D15/199	
D691,337	S *	10/2013	Kim	D32/21	
D704,400	S *	5/2014	Shin	D32/21	
D720,510	S *	12/2014	Shin	D32/21	
D720,511	S *	12/2014	Shin	D32/21	
8,898,844	B1 *	12/2014	Dooley	A47L 11/10 15/319	
D743,647	S *	11/2015	Heck	D32/21	
D745,144	S *	12/2015	Aylmer	D24/128	
D748,878	S *	2/2016	Dooley	D32/21	
D759,623	S *	6/2016	Dahlberg	D10/30	
D760,717	S *	7/2016	Solomon	D14/344	
2003/0216834	A1 *	11/2003	Allard	B25J 9/1689 700/245	
2005/0004708	A1 *	1/2005	Goldenberg	G08C 17/00 700/245	
2006/0058921	A1 *	3/2006	Okamoto	G05D 1/0214 700/255	
2006/0238159	A1 *	10/2006	Jung, II	G05D 1/0225 318/587	
2008/0084284	A1 *	4/2008	Park	G05D 1/0227 340/436	
2009/0035181	A1 *	2/2009	Chung	A61B 5/00 422/68.1	
2010/0212983	A1 *	8/2010	Lama	B62D 57/024 180/167	
2010/0243357	A1 *	9/2010	Yim	B25J 5/007 180/218	
2011/0054691	A1 *	3/2011	Lee	A01M 29/06 700/259	
2011/0132671	A1 *	6/2011	Lee	B25J 5/007 180/8.3	
2011/0135189	A1 *	6/2011	Lee	B25J 9/1682 382/153	
2012/0260944	A1 *	10/2012	Martins, Jr.	A47L 5/14 134/18	
2012/0281053	A1 *	11/2012	Kubota	B41J 3/4075 347/211	
2013/0269148	A1 *	10/2013	Chiu	A47L 5/225 15/329	
2013/0340201	A1 *	12/2013	Jang	A47L 9/009 15/319	
2014/0074287	A1 *	3/2014	LaFary	G06N 3/008 700/253	
2014/0350725	A1 *	11/2014	LaFary	G06N 3/008 700/253	
2015/0088359	A1 *	3/2015	Choi	G05D 1/0225 701/23	
2016/0000282	A1 *	1/2016	Vanderstegen-Drake	A47L 9/009 280/6.157	
2017/0157771	A1 *	6/2017	Jung	B25J 9/1697	

* cited by examiner

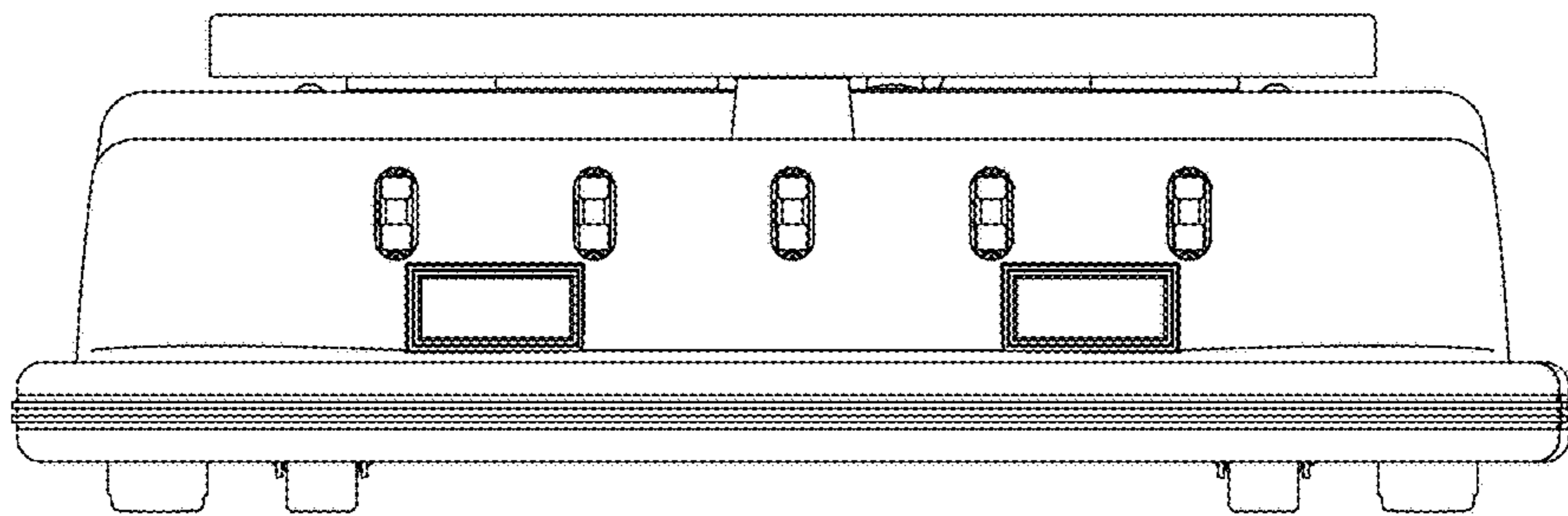


FIG. 1

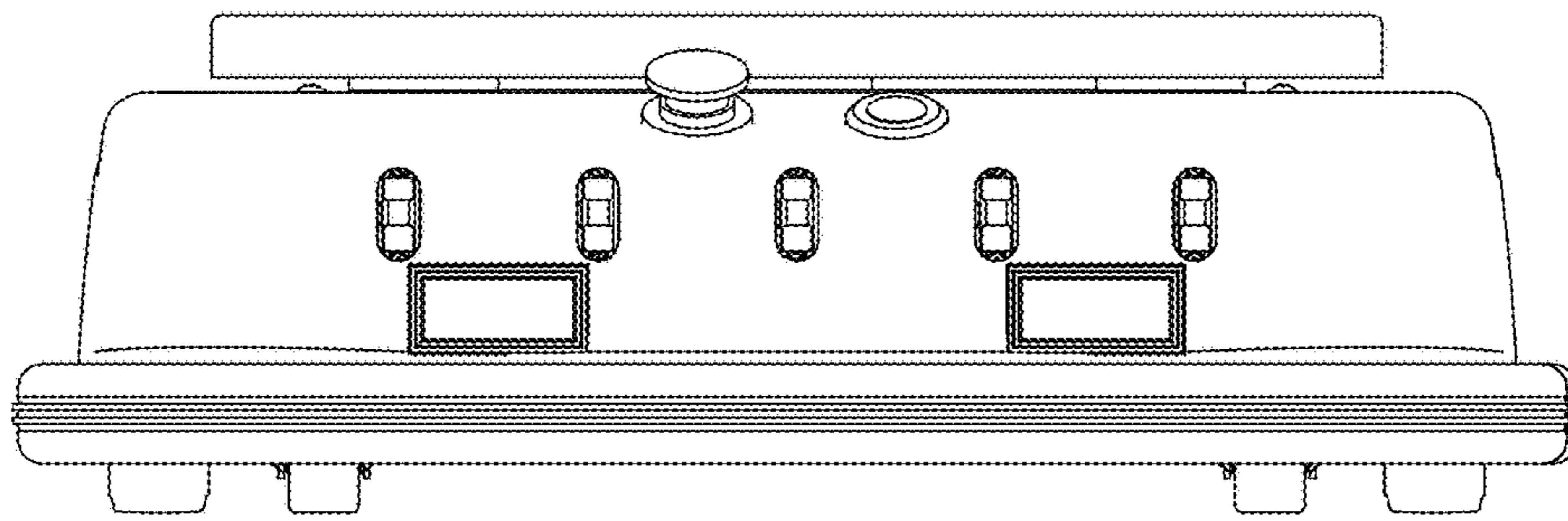


FIG. 2

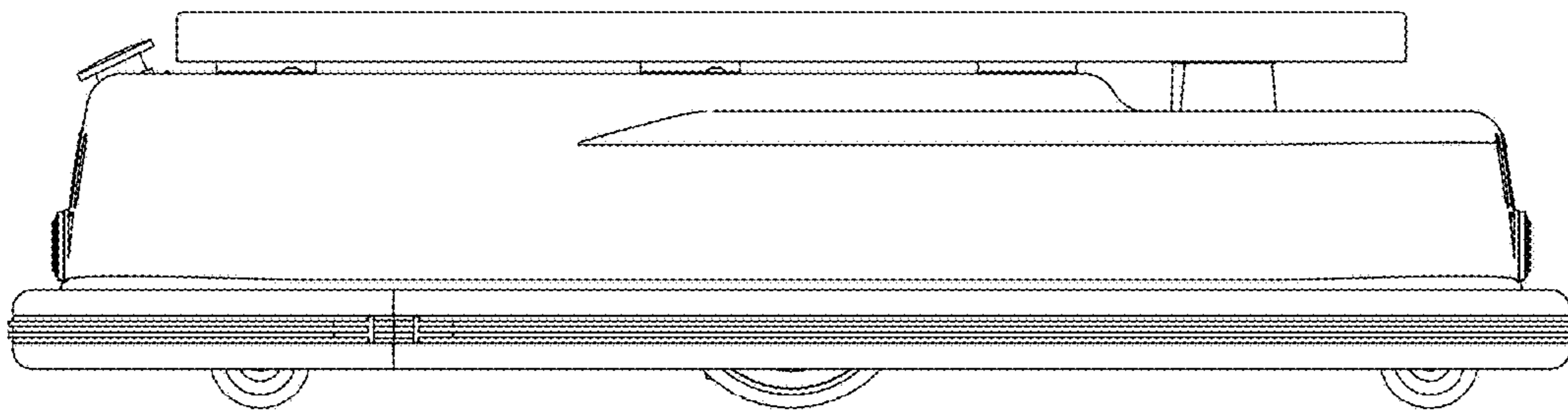


FIG. 3

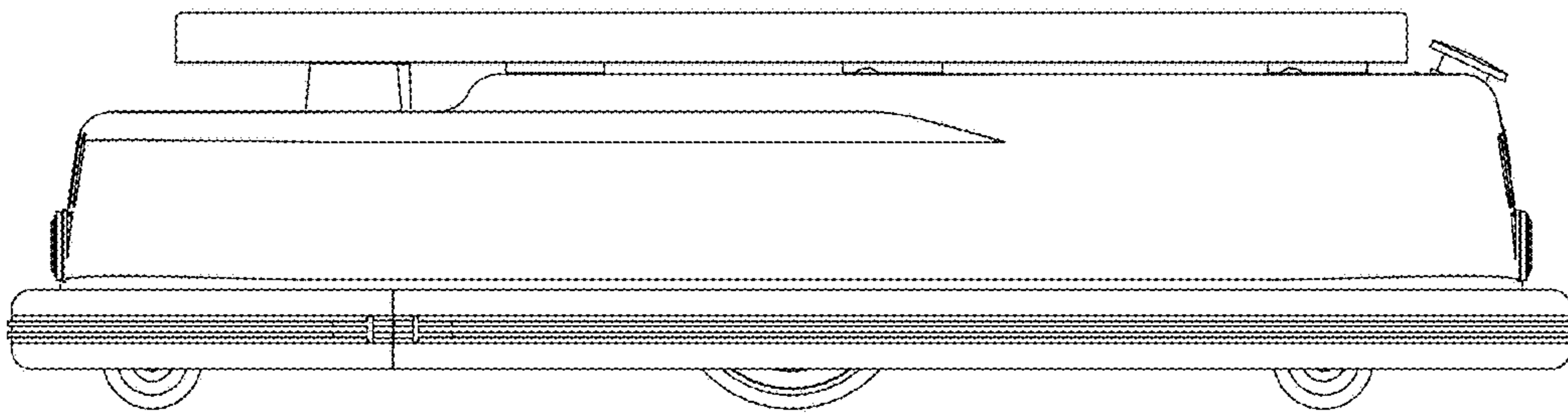


FIG. 4

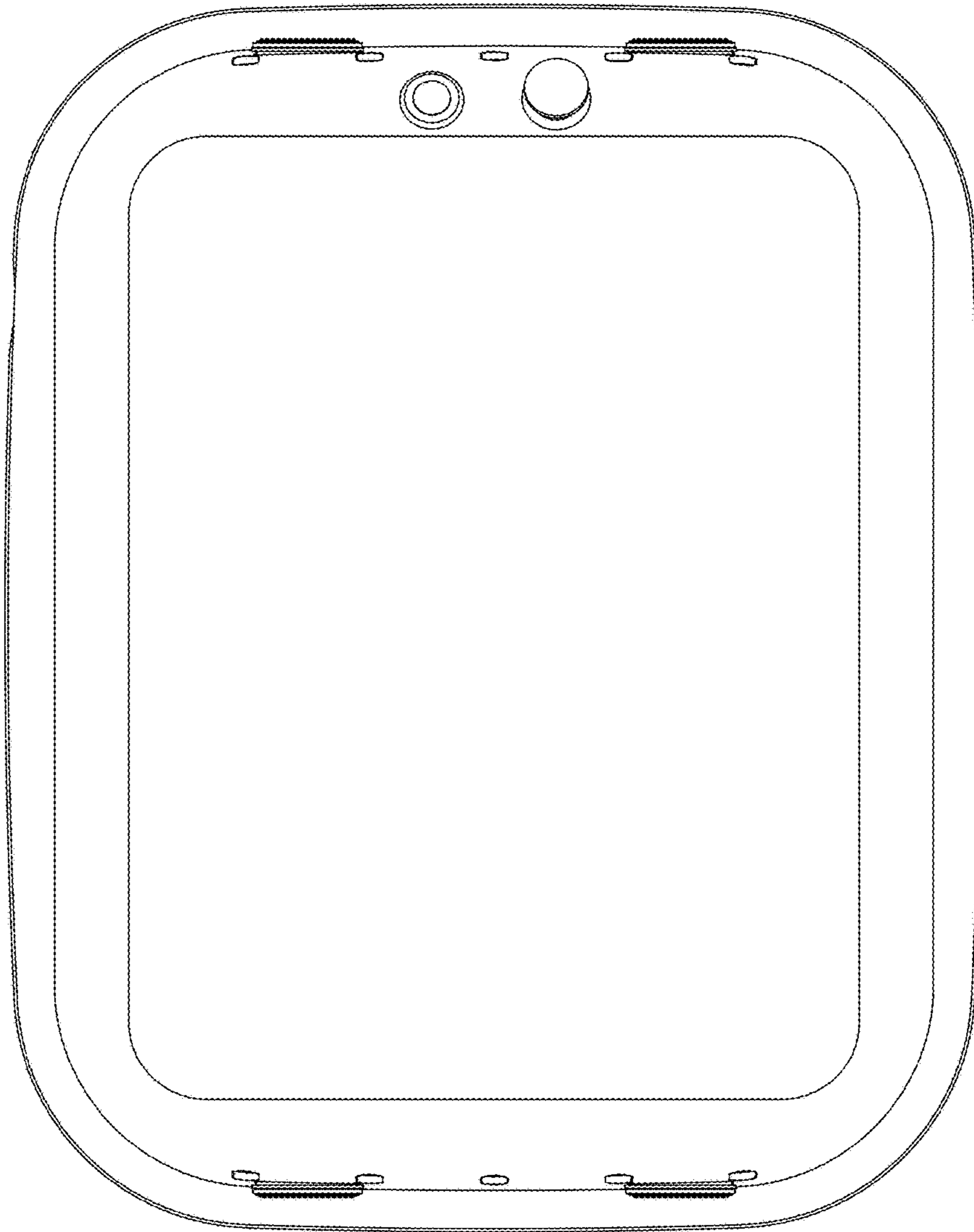


FIG. 5

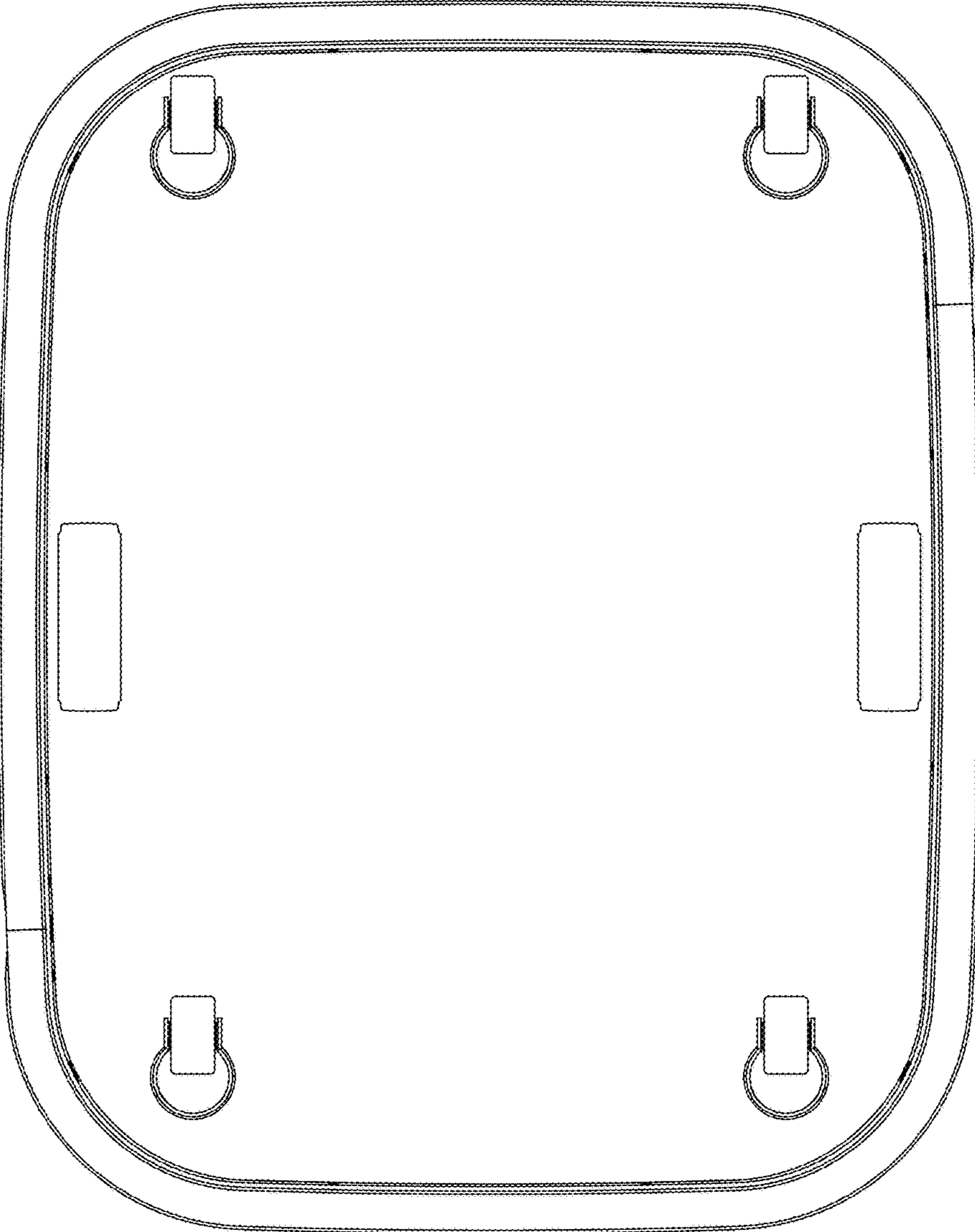


FIG. 6

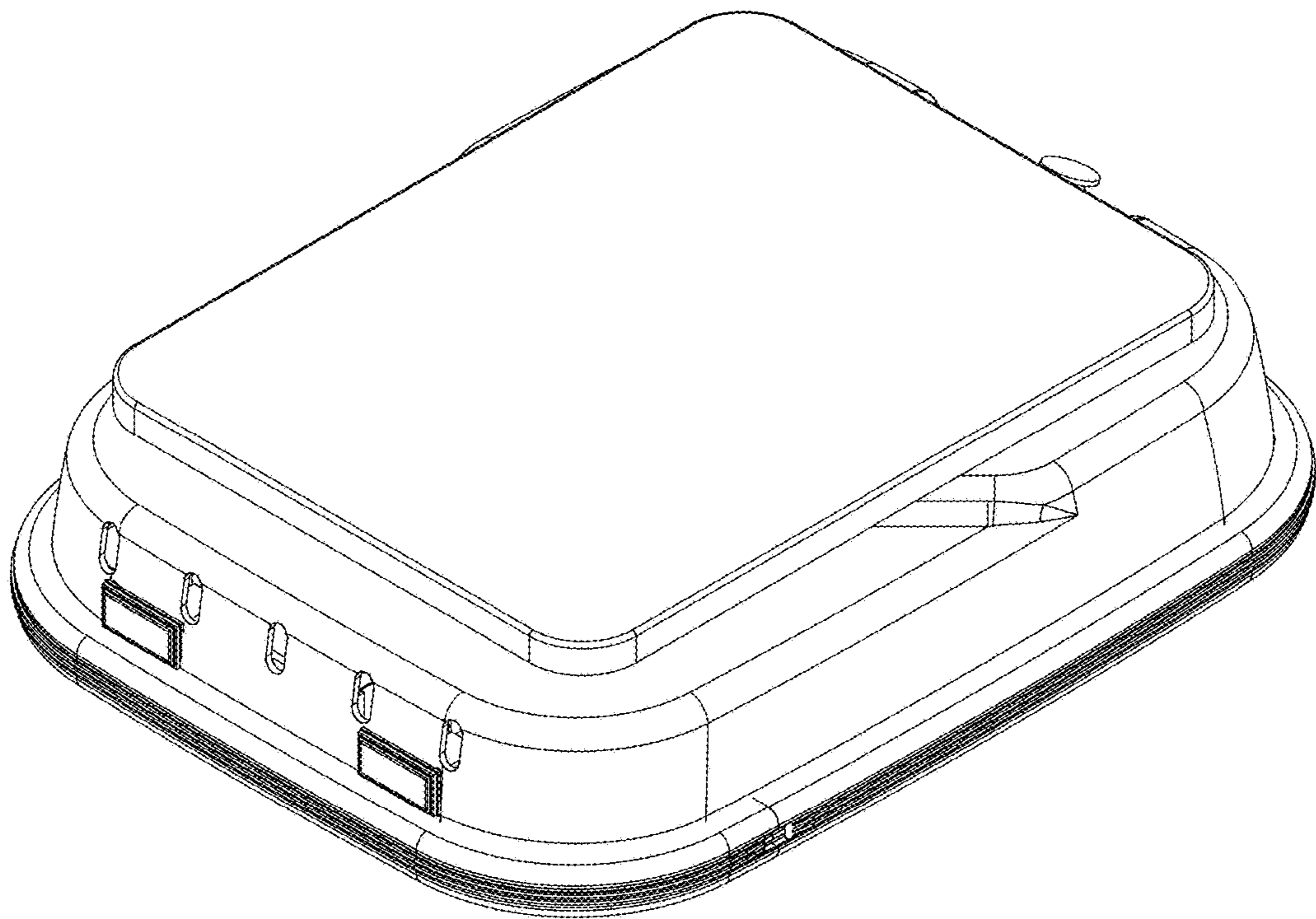


FIG. 7

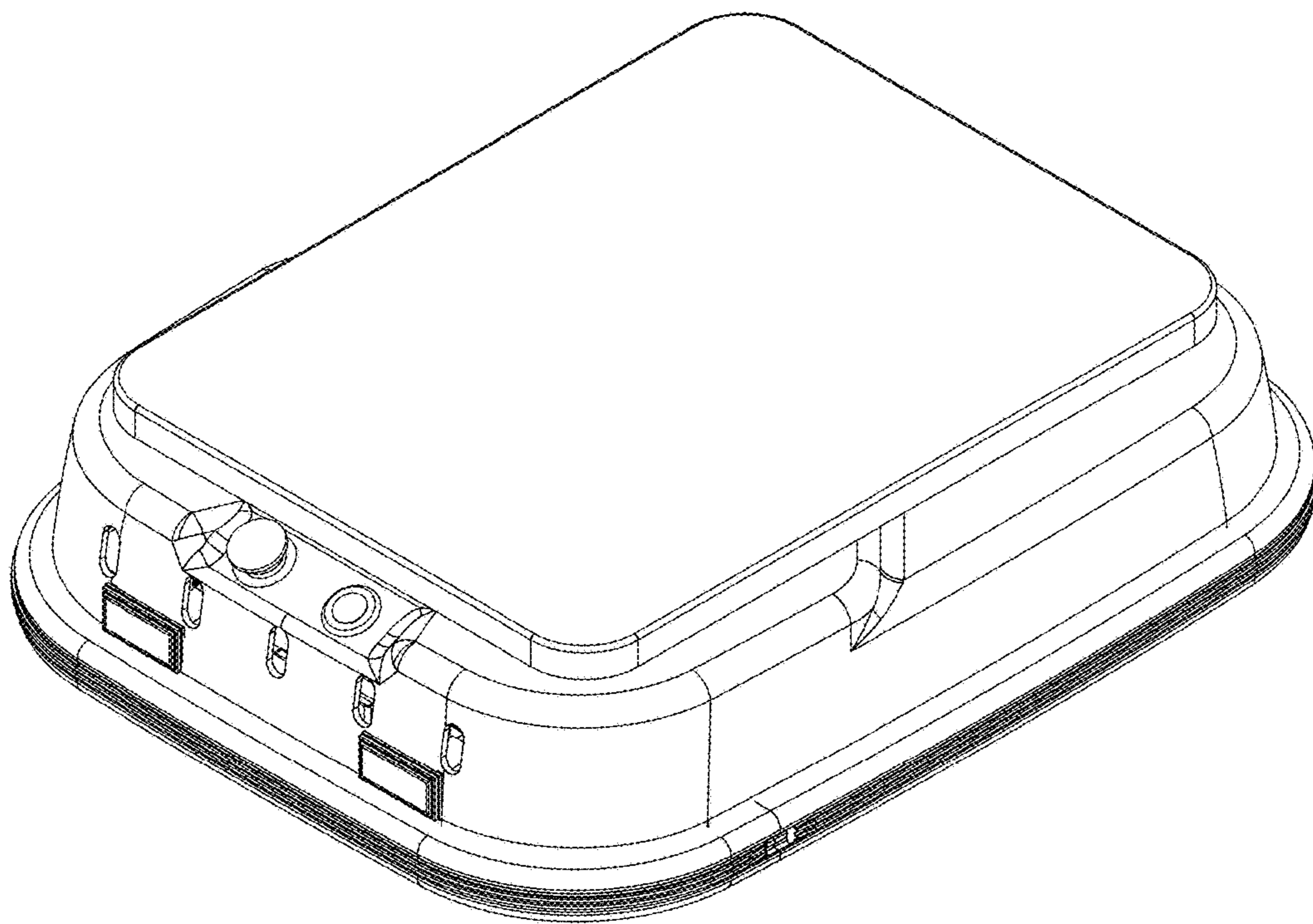


FIG. 8

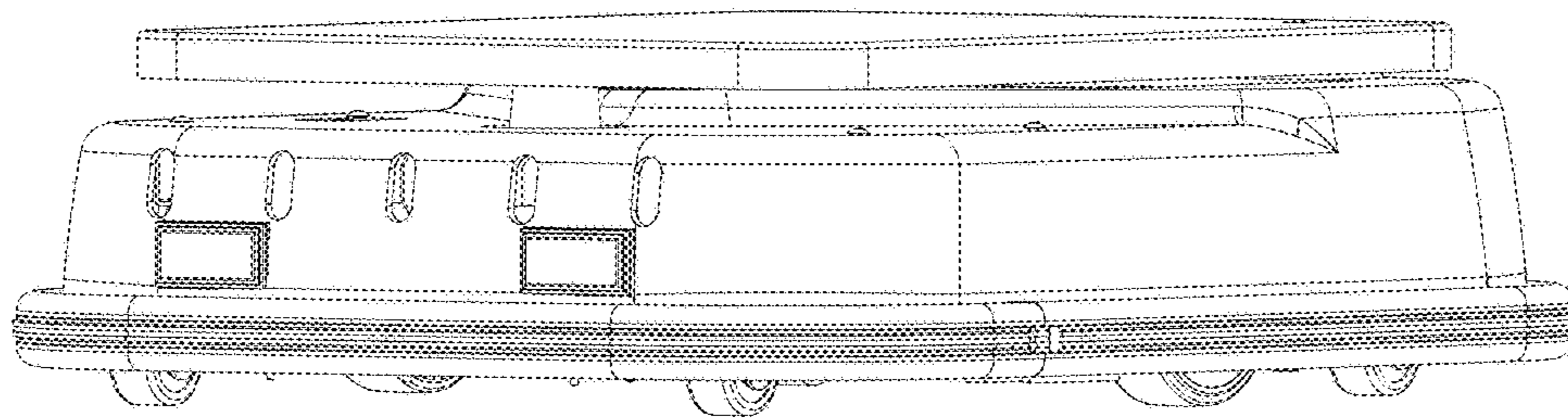


FIG. 9

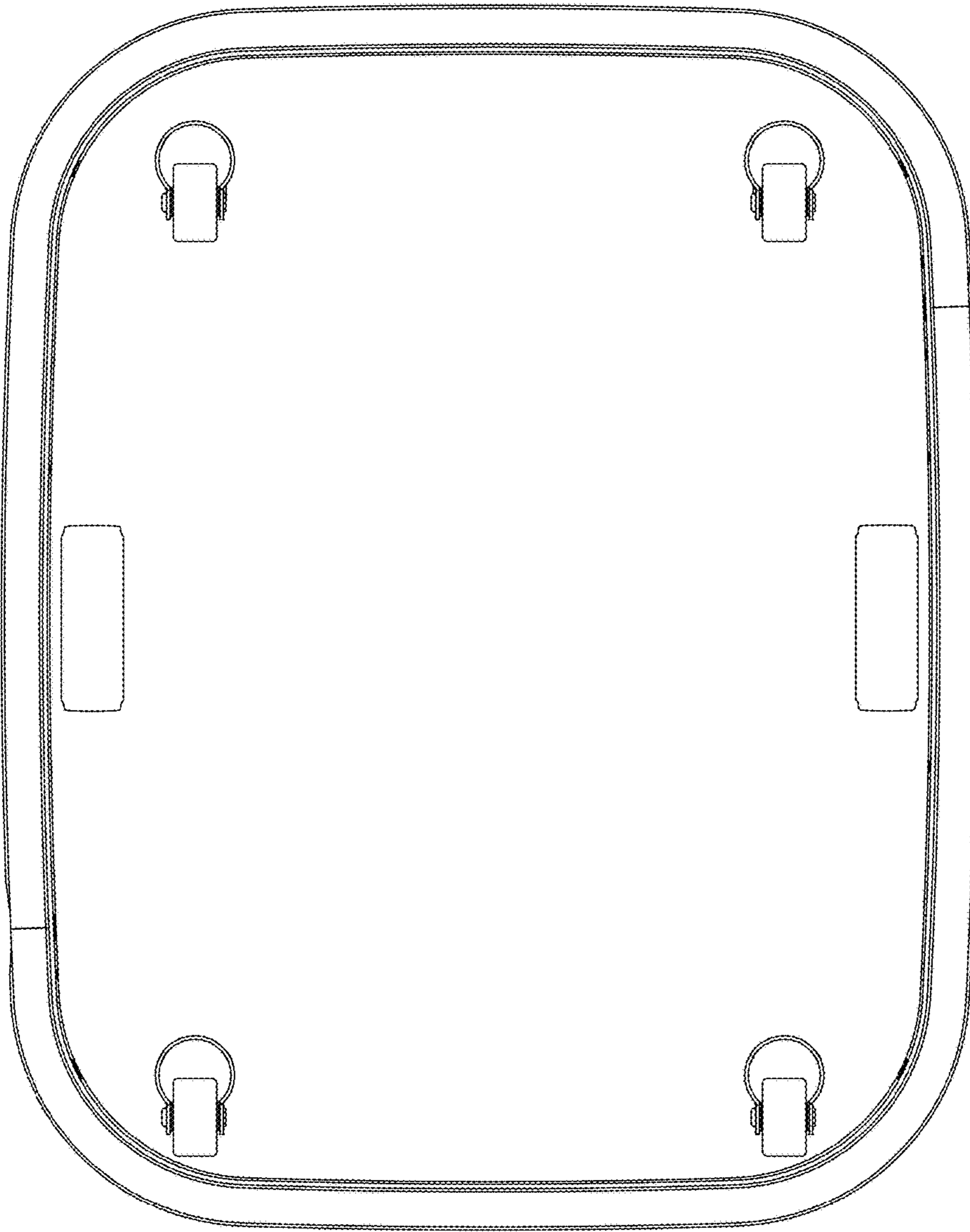


FIG. 10

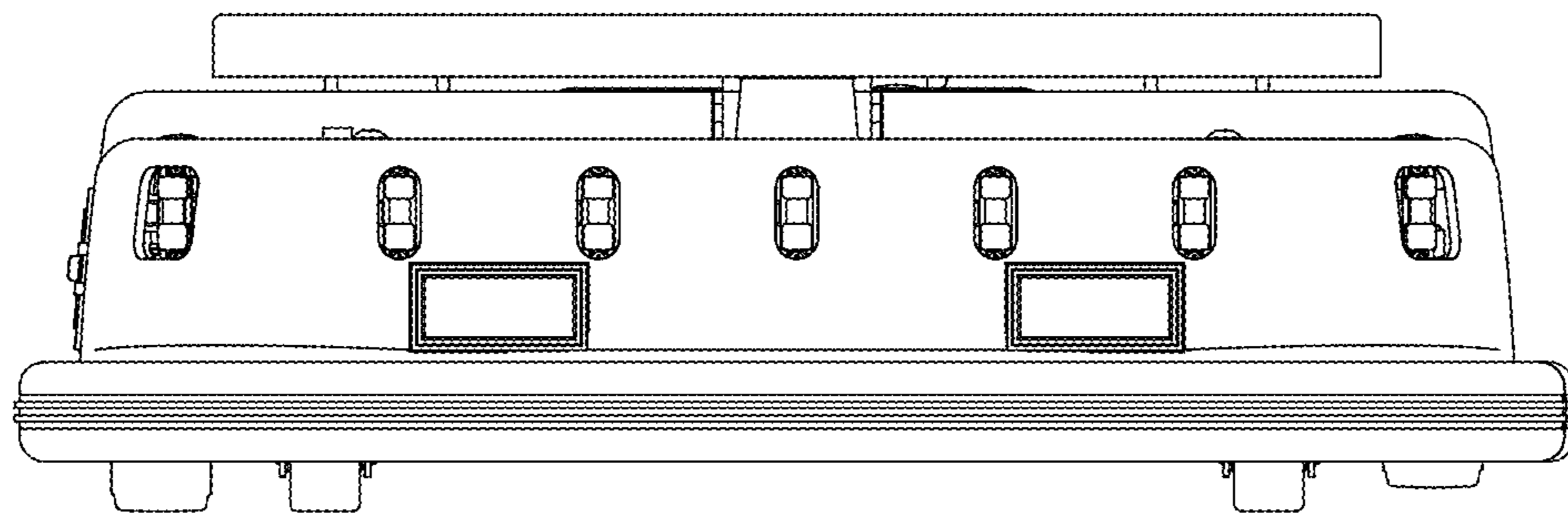


FIG. 11

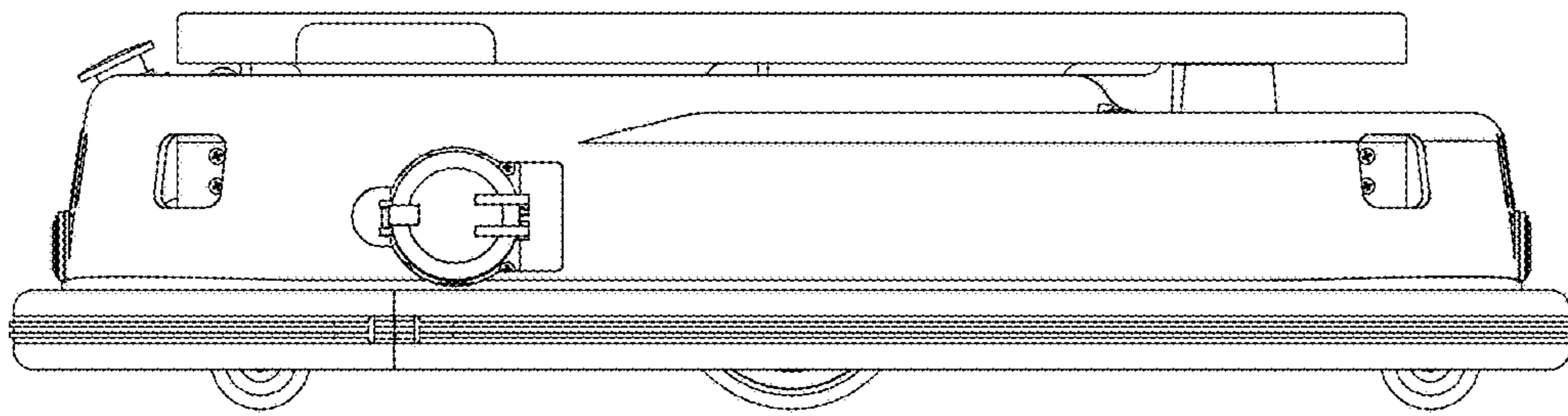


FIG. 12

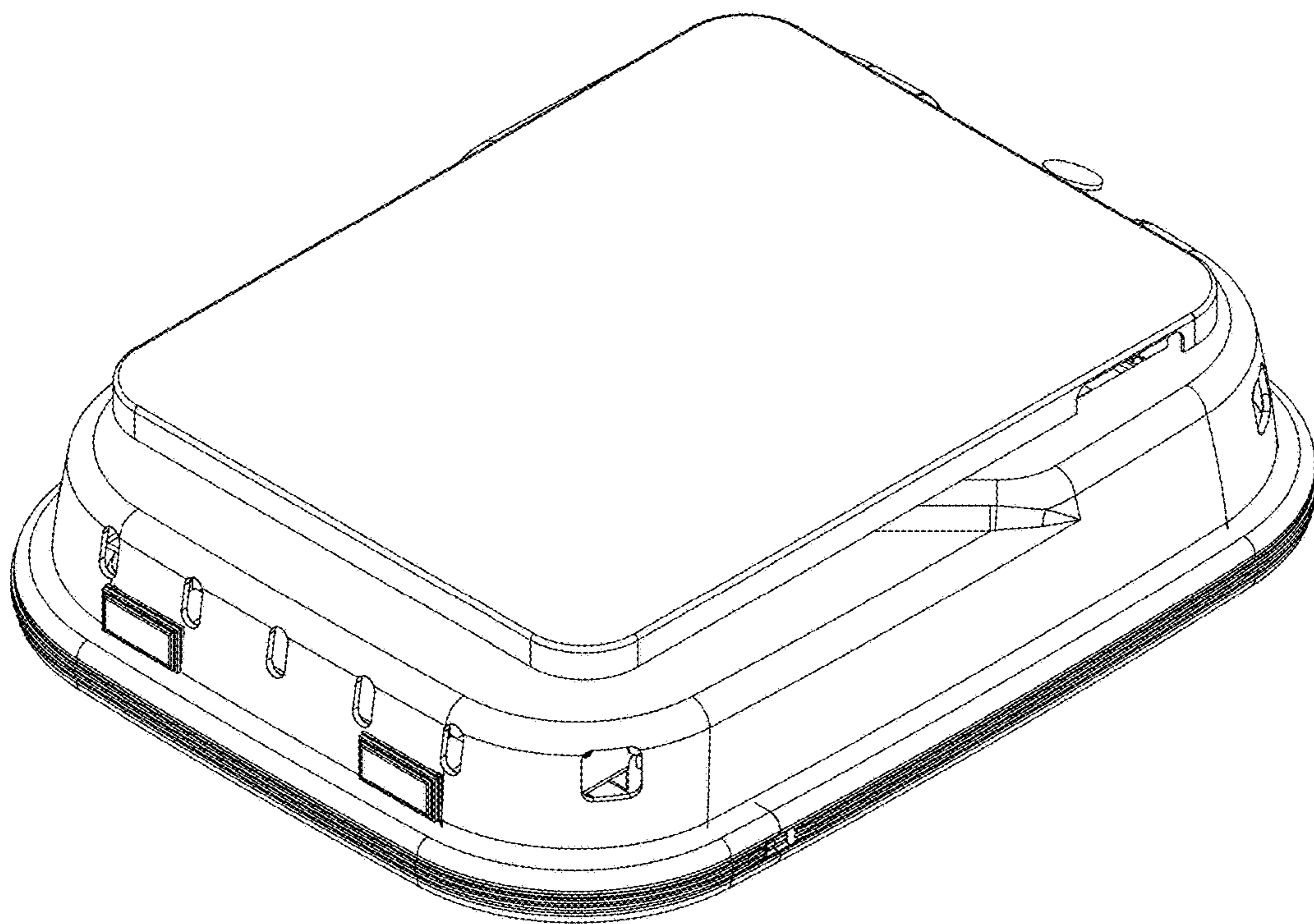


FIG. 13

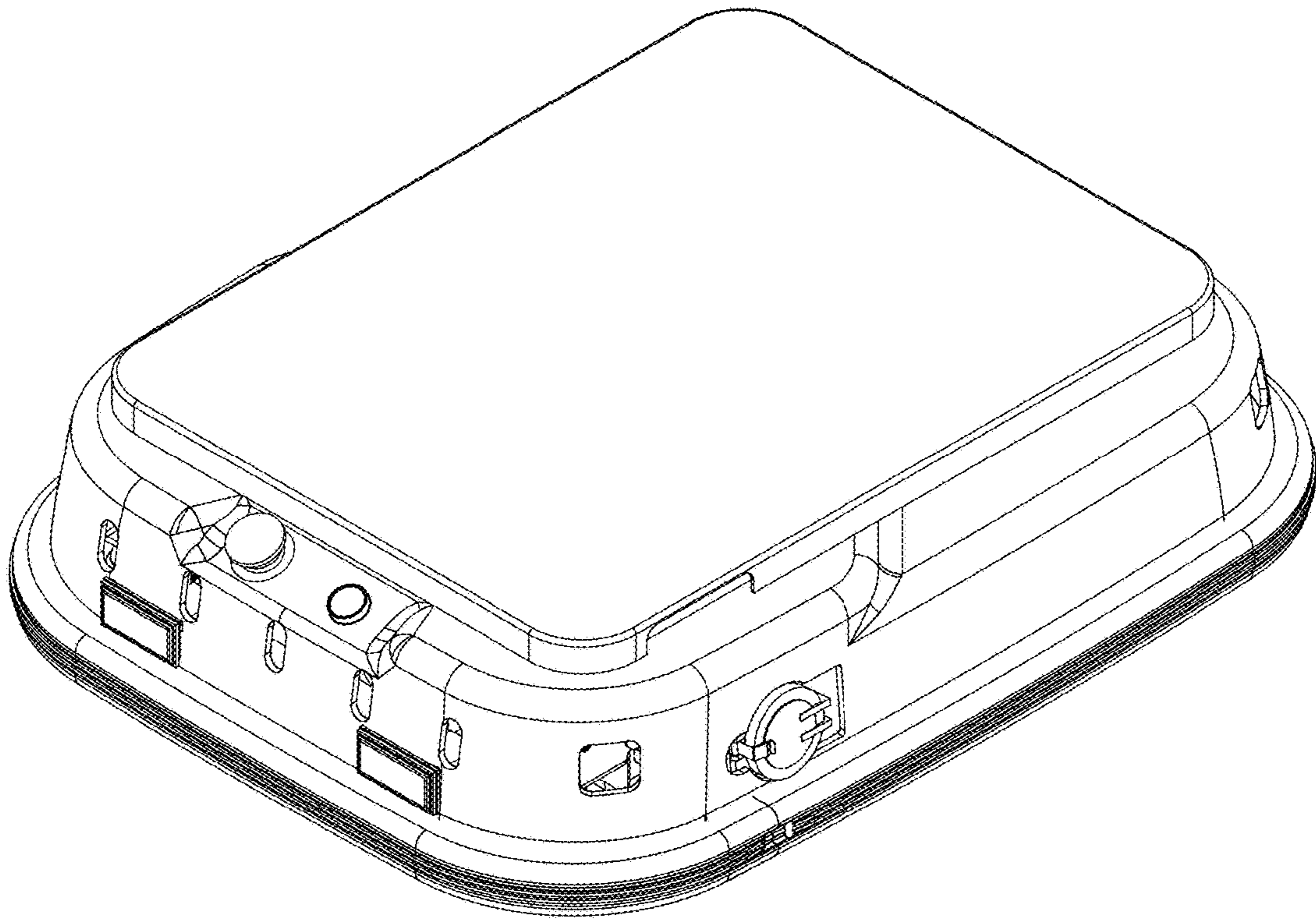


FIG. 14

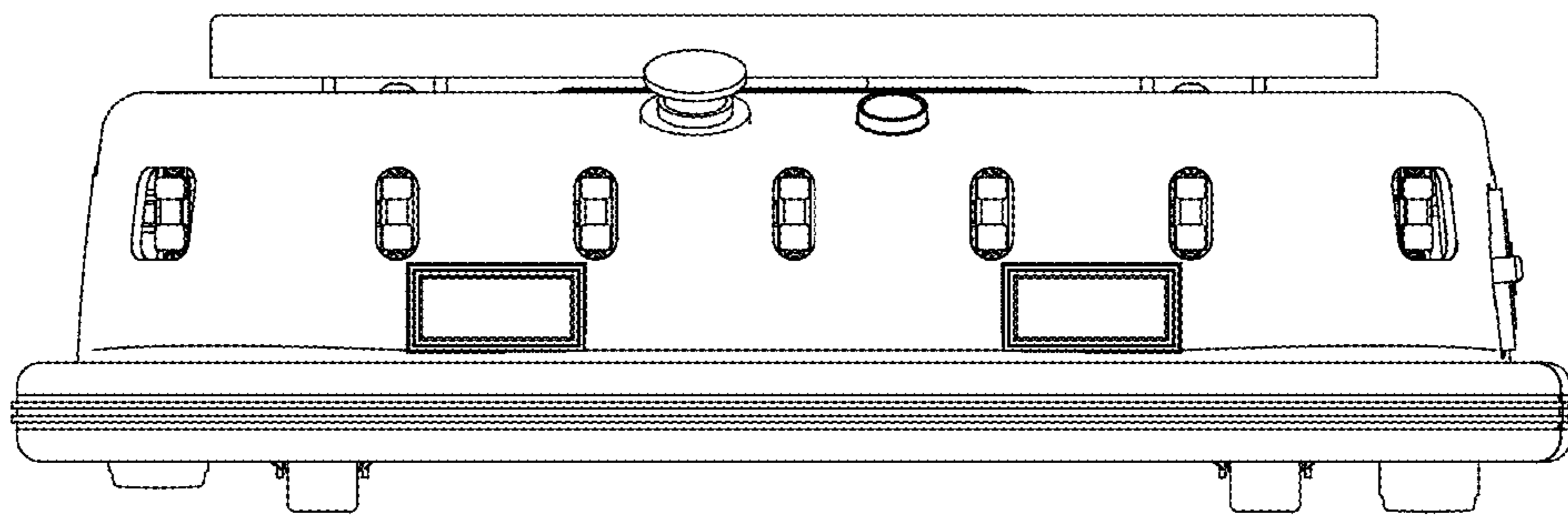


FIG. 15

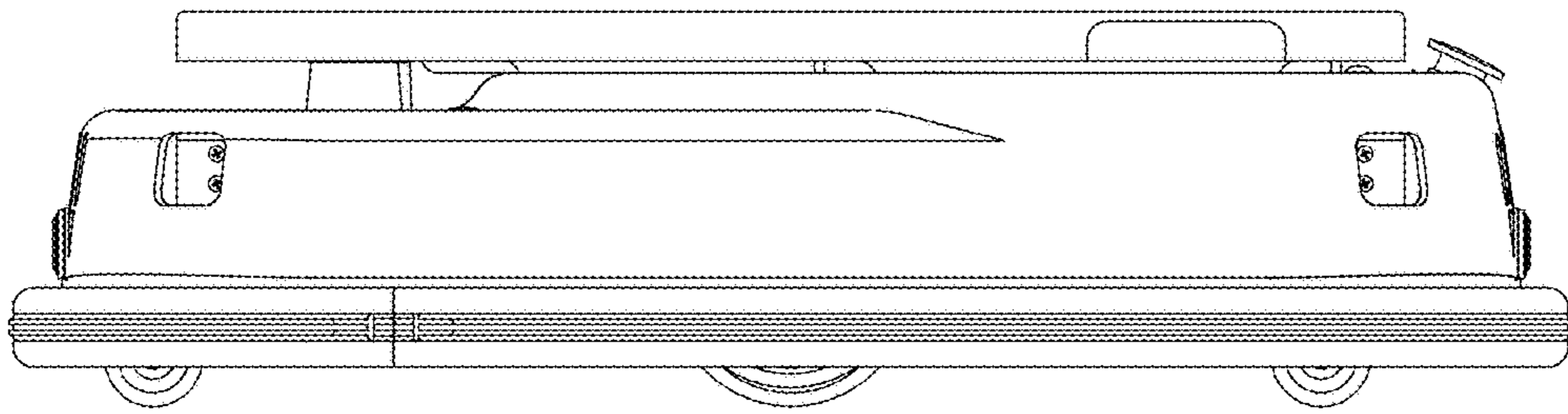


FIG. 16

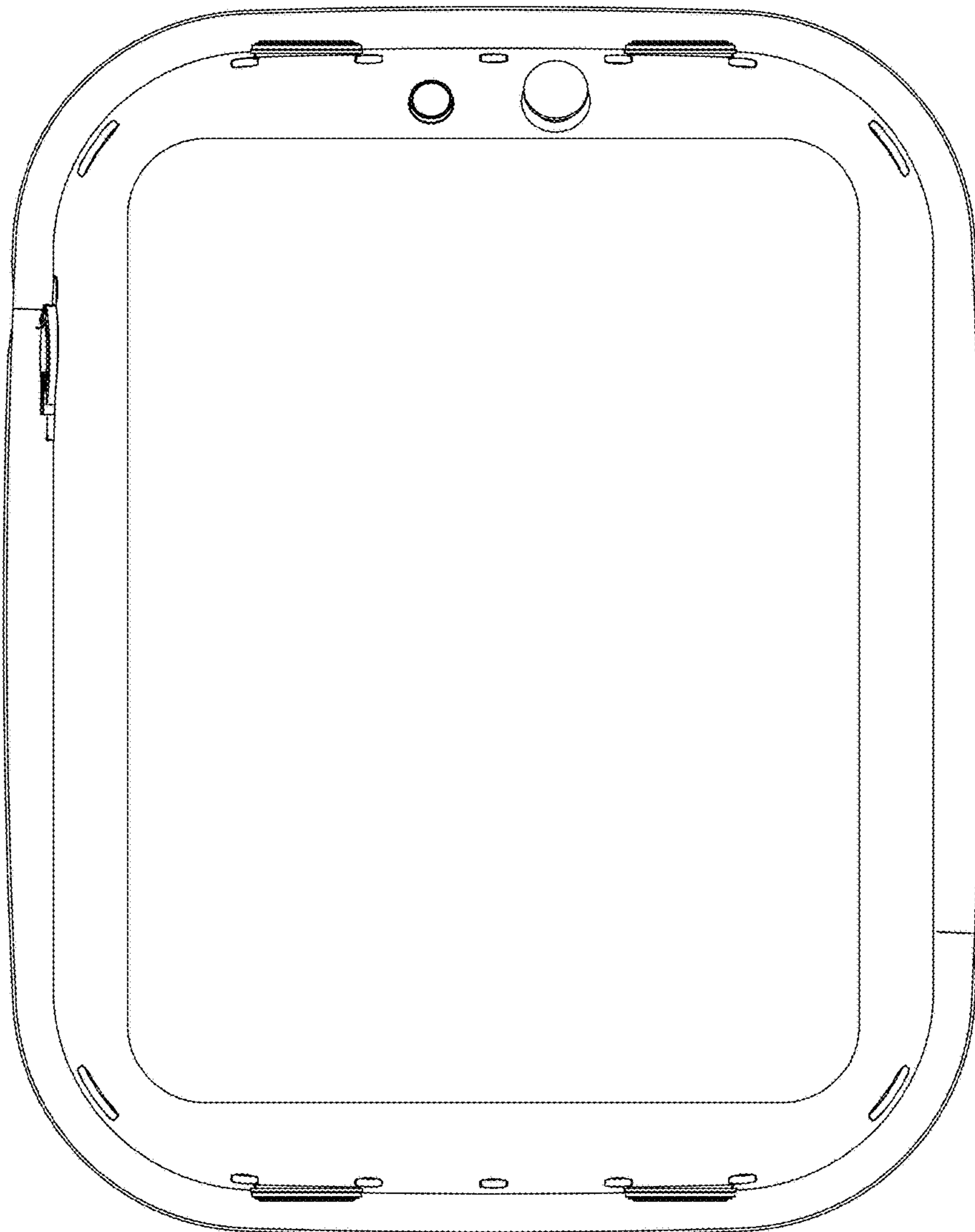


FIG. 17

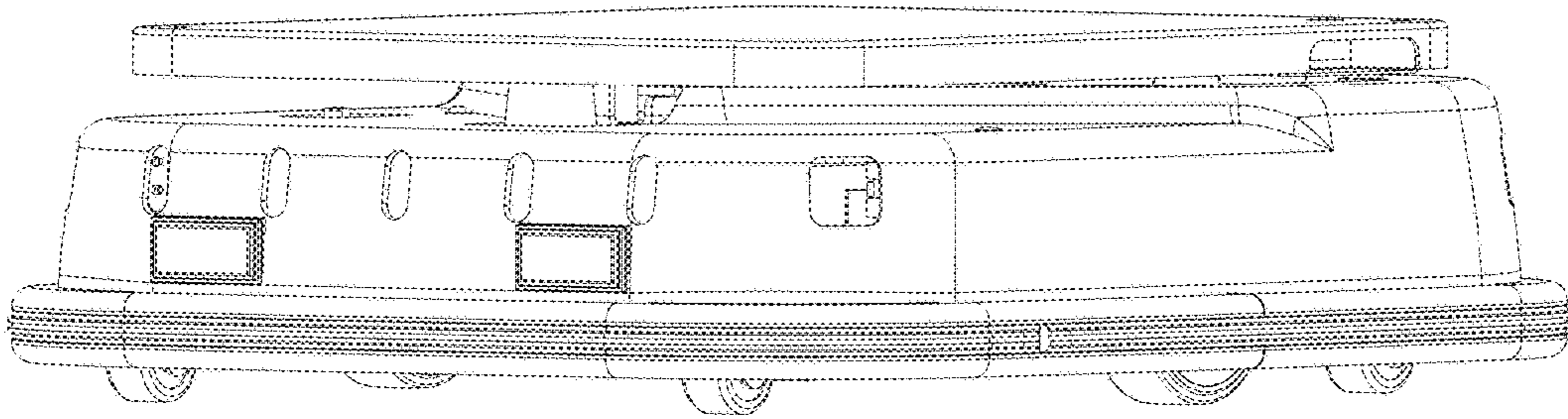


FIG. 18