



US00D810797S

(12) **United States Design Patent** (10) **Patent No.:** **US D810,797 S**  
**Love et al.** (45) **Date of Patent:** **\*\* Feb. 20, 2018**

(54) **FILM DISPENSER FOR USE WITH CORELESS FILM ROLL**

(71) Applicant: **Inteplast Group, Ltd.**, Livingston, NJ (US)

(72) Inventors: **James R. Love**, Sand Springs, OK (US); **Scott Stevens**, Edna, TX (US)

(73) Assignee: **Inteplast Group Corporation**, Livingston, NJ (US)

(\*\*) Term: **14 Years**

(21) Appl. No.: **29/522,547**

(22) Filed: **Mar. 31, 2015**

(51) **LOC (11) Cl.** ..... **15-99**

(52) **U.S. Cl.**  
USPC ..... **D15/145; D8/358**

(58) **Field of Classification Search**  
USPC ..... D6/515-523; 206/225, 233, 389, 391; 211/13.1; 221/26, 33, 282-283; 222/173, 180; 242/270, 590, 423, 423.1, 242/578.2, 588, 599.2; 248/309.1, 309.2, 248/905; D16/250, 237, 246, 249; D14/481; D8/70.1, 356, 358; D15/145; D9/455, 711; 53/221, 389.4, 390, 441; 156/577; 225/1, 39, 77, 89; 396/661  
(Continued)

(56) **References Cited**

**U.S. PATENT DOCUMENTS**

D35,200 S \* 10/1901 Levy ..... D6/523  
1,098,479 A 6/1914 Clark et al.  
(Continued)

*Primary Examiner* — David G Muller  
*Assistant Examiner* — Nathan M Johnston

(74) *Attorney, Agent, or Firm* — Senniger Powers LLP

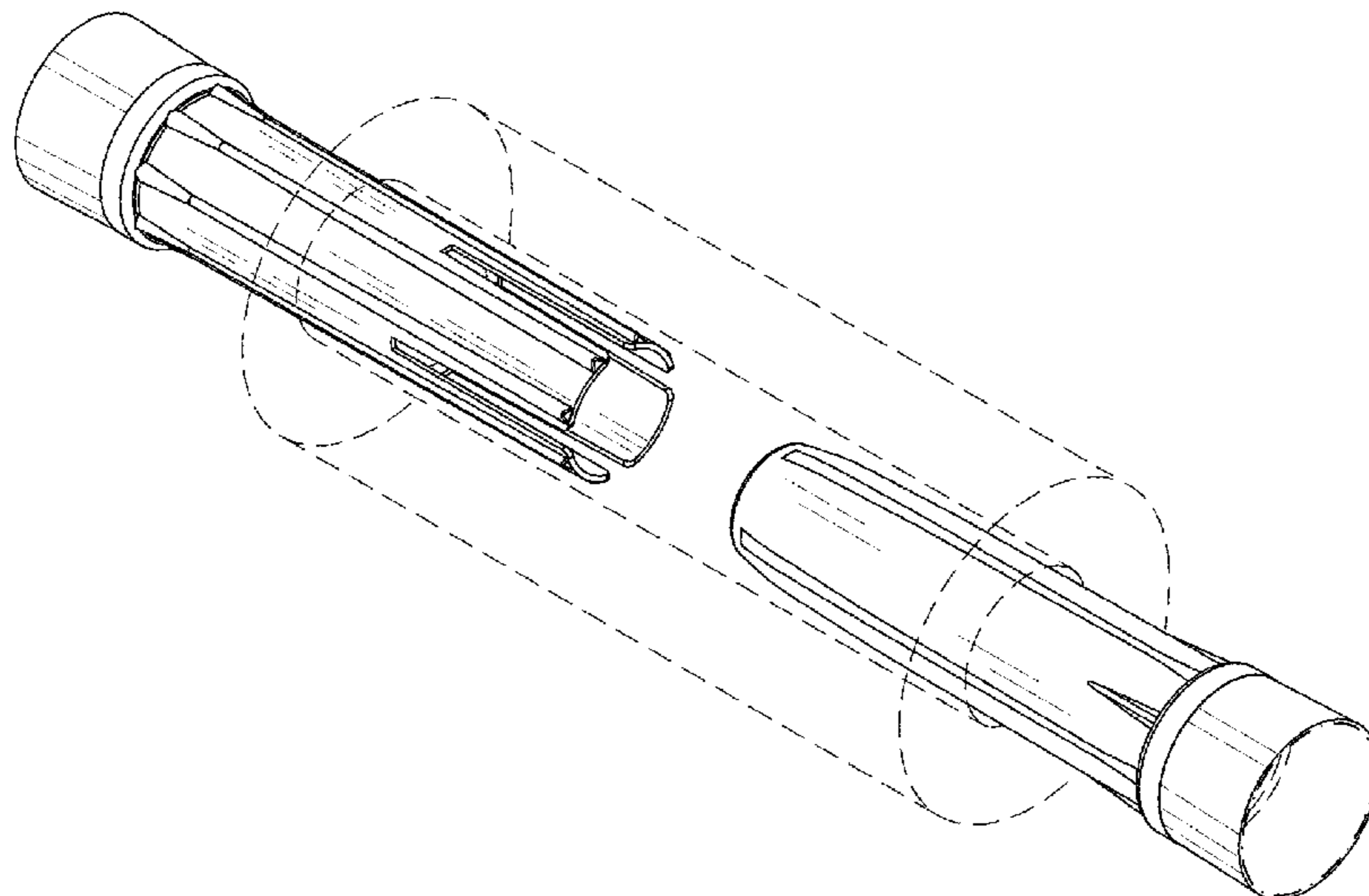
(57) **CLAIM**

The ornamental design for a film dispenser for use with coreless film roll, as shown and described.

**DESCRIPTION**

FIG. 1 is a perspective view of a film dispenser for use with a coreless film roll showing our new design in use; FIG. 2 is the perspective view of FIG. 1 without environmental subject matter; FIG. 3 is a front elevation view thereof, the top plan and bottom plan views being identical thereto; FIG. 4 is a rear elevation view thereof; FIG. 5 is an enlarged right side elevation view thereof, the left side elevation view being identical thereto; FIG. 6 is a perspective view of the dispenser in a first engaged configuration; FIG. 7 is a perspective view of the dispenser in a second engaged configuration; FIG. 8 is a perspective view of the female dispenser member of the film dispenser shown separately for clarity; FIG. 9 is a front elevation view thereof, the top plan and bottom plan views being identical thereto; FIG. 10 is a rear elevation view thereof; FIG. 11 is a right side elevation view thereof; FIG. 12 is a left side elevation view thereof; FIG. 13 is a perspective view of the male dispenser member of the film dispenser shown separately for clarity; FIG. 14 is a front elevation view thereof, the top plan and bottom plan views being identical thereto; FIG. 15 is a rear elevation view thereof; FIG. 16 is a right side elevation view thereof; FIG. 17 is a left side elevation view thereof; and, FIG. 18 is an opposite perspective view thereof. Broken lines in a dot-dash pattern indicate boundary lines between claimed subject matter and unclaimed subject matter. Broken lines in a dash-dash pattern indicate elements that form no part of the claimed design.

**1 Claim, 16 Drawing Sheets**



- (58) **Field of Classification Search**  
 CPC ... B65B 11/045; B65B 11/025; B65B 67/085;  
 B65H 75/185; B65H 2701/1944; B65H  
 2301/418526; B65H 75/241; B65H  
 16/005; B65H 2403/731; B65H 2511/12;  
 B65H 2220/04  
 See application file for complete search history.

(56) **References Cited**  
 U.S. PATENT DOCUMENTS

4,248,392 A 2/1981 Parry  
 4,312,347 A \* 1/1982 Magoon ..... A61F 6/08  
 424/430  
 4,484,717 A 11/1984 Goldstein  
 4,574,020 A 3/1986 Fosnaught  
 D311,296 S \* 10/1990 Santoiemmo ..... D7/300  
 D332,198 S \* 1/1993 Goodman, Jr. .... D7/300.2  
 D340,822 S \* 11/1993 Morand ..... D6/522  
 5,570,564 A 11/1996 Moore et al.  
 D389,364 S \* 1/1998 Vallarella ..... D26/38  
 D394,178 S \* 5/1998 Gremchuck ..... D6/520  
 D396,589 S \* 8/1998 Daansen ..... D6/542  
 D414,361 S \* 9/1999 Senecal, Jr. .... D6/523  
 6,019,308 A 2/2000 Huang

D495,176 S \* 8/2004 Wolpert ..... D6/523  
 D498,967 S \* 11/2004 White ..... D7/300.2  
 D537,722 S \* 3/2007 Jaichandra ..... D9/517  
 D570,687 S \* 6/2008 Kelders ..... D9/500  
 7,438,254 B2 10/2008 Oettershagen  
 7,537,140 B2 \* 5/2009 Lin ..... B05B 11/3001  
 222/181.1  
 D603,206 S \* 11/2009 Wallace ..... D7/300.2  
 D632,512 S \* 2/2011 Bejdova ..... D6/523  
 7,937,915 B2 5/2011 Kohn et al.  
 D641,468 S \* 7/2011 Ruiz, Sr. .... D24/133  
 D649,570 S \* 11/2011 Chen ..... D15/145  
 D688,138 S \* 8/2013 Kim ..... D9/690  
 8,499,946 B2 \* 8/2013 Giles ..... A61J 9/001  
 215/11.1  
 8,616,490 B2 12/2013 Blok  
 D697,332 S \* 1/2014 Huang ..... D6/518  
 D699,064 S \* 2/2014 Katterheinrich ..... D7/300.2  
 D729,608 S \* 5/2015 Kalous ..... B60D 1/02  
 D8/330  
 D748,476 S \* 2/2016 Lakstins ..... D9/447  
 2009/0308968 A1 12/2009 Piotrowski et al.  
 2011/0041458 A1 2/2011 Yu Chen  
 2011/0284572 A1 \* 11/2011 Meyer ..... A47F 1/085  
 221/251  
 2013/0186997 A1 7/2013 Martinez et al.

\* cited by examiner

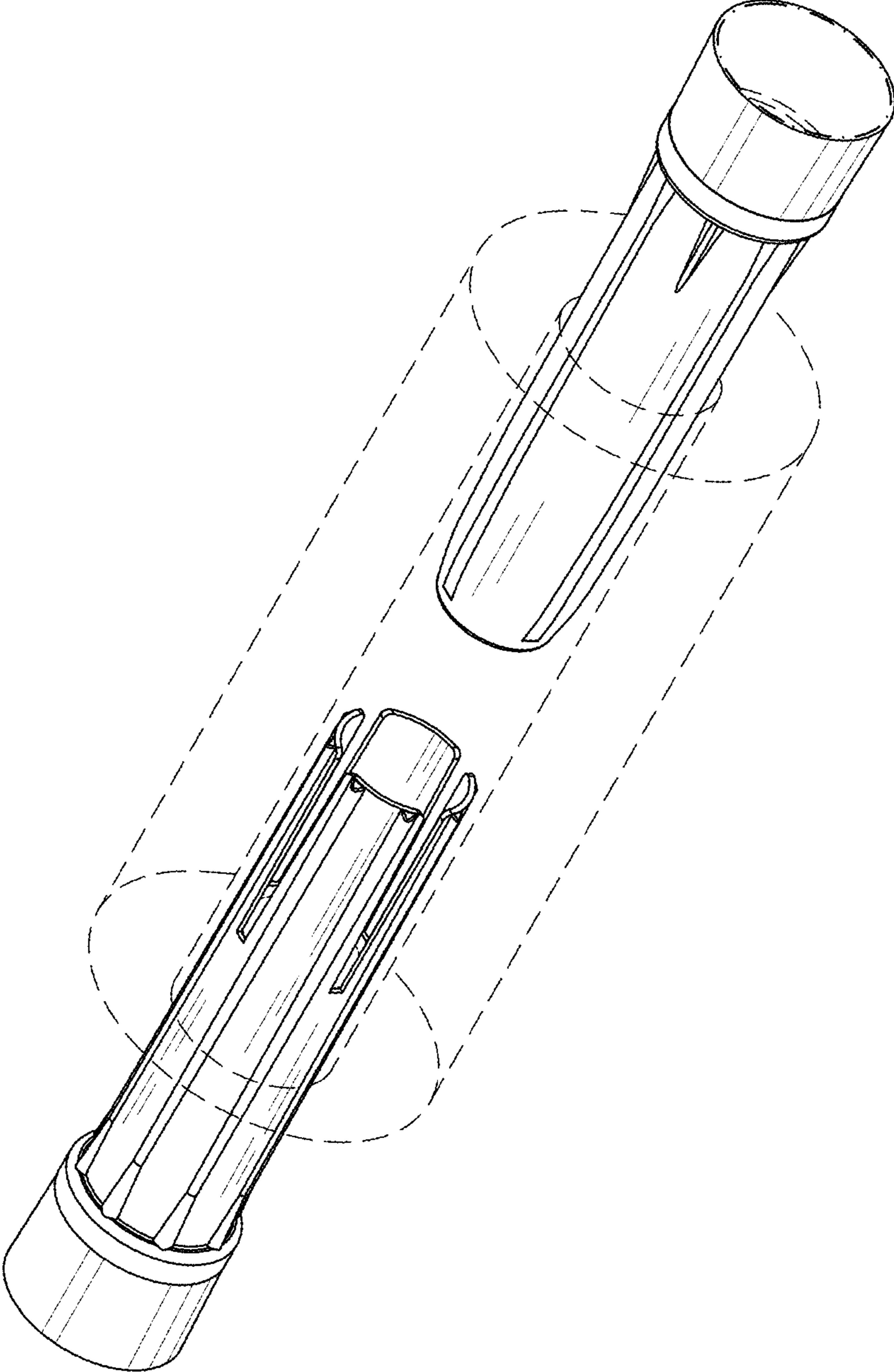


FIG. 1

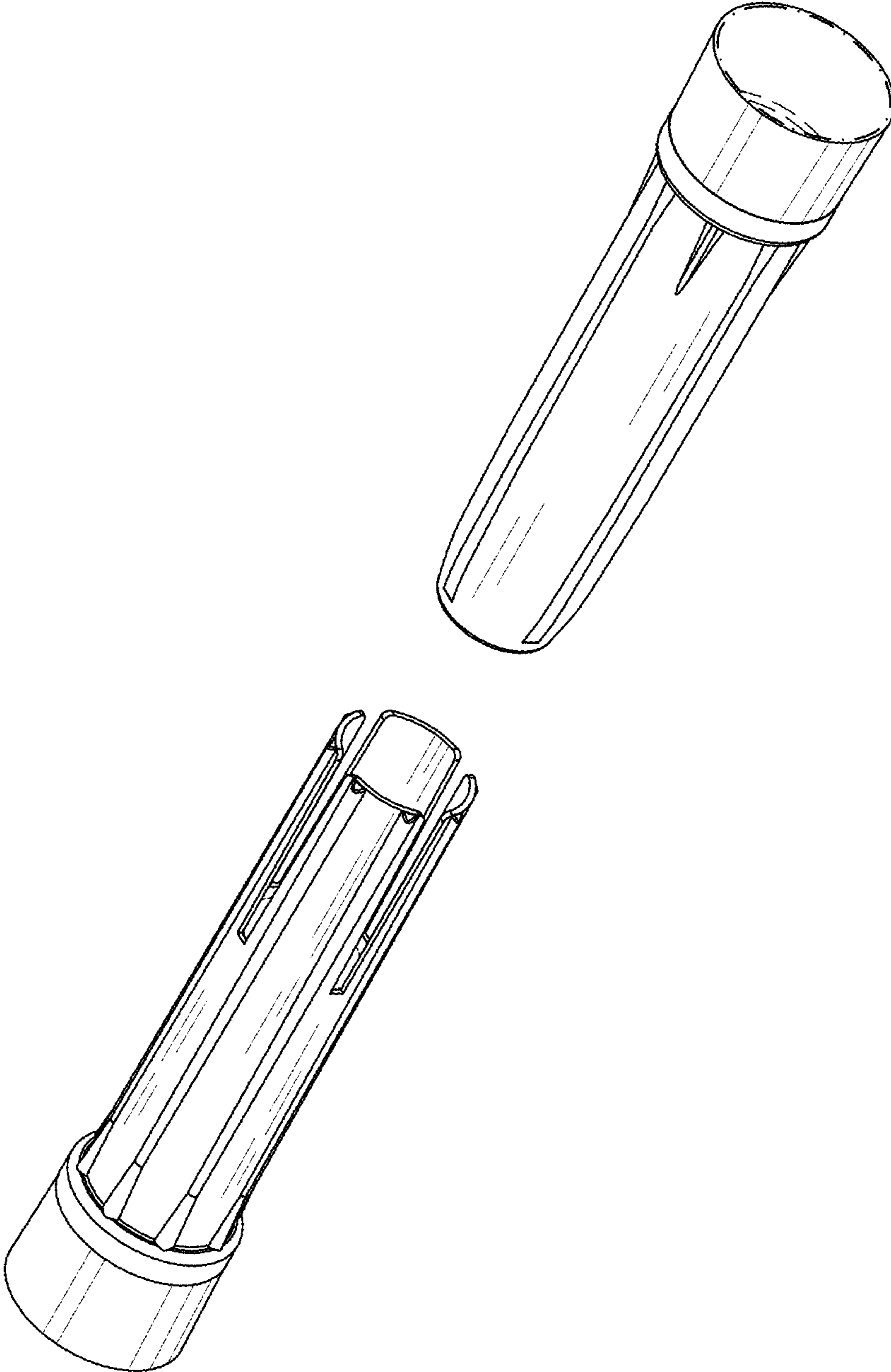


FIG. 2

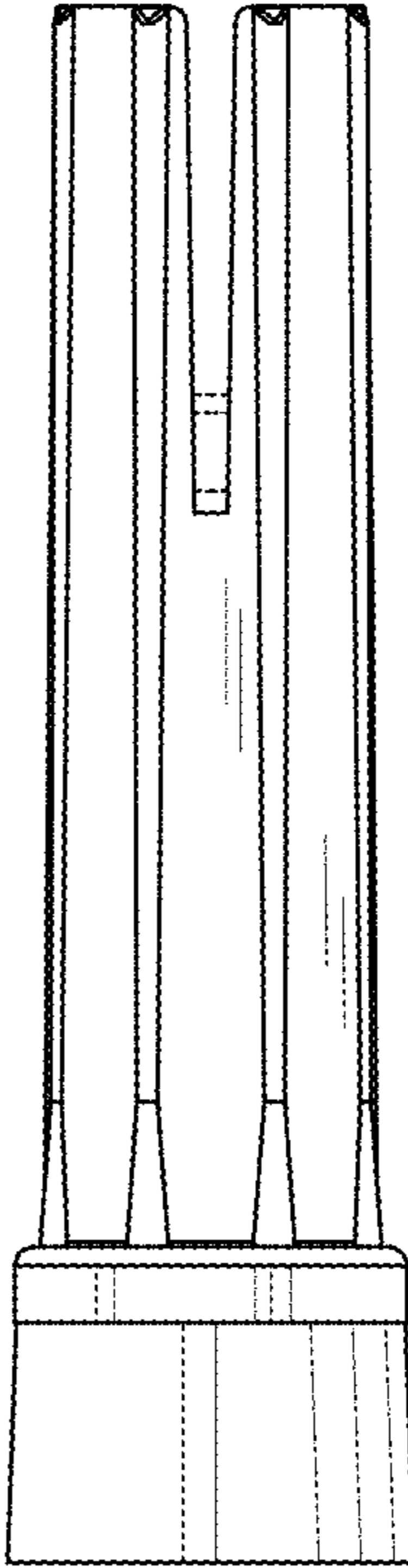
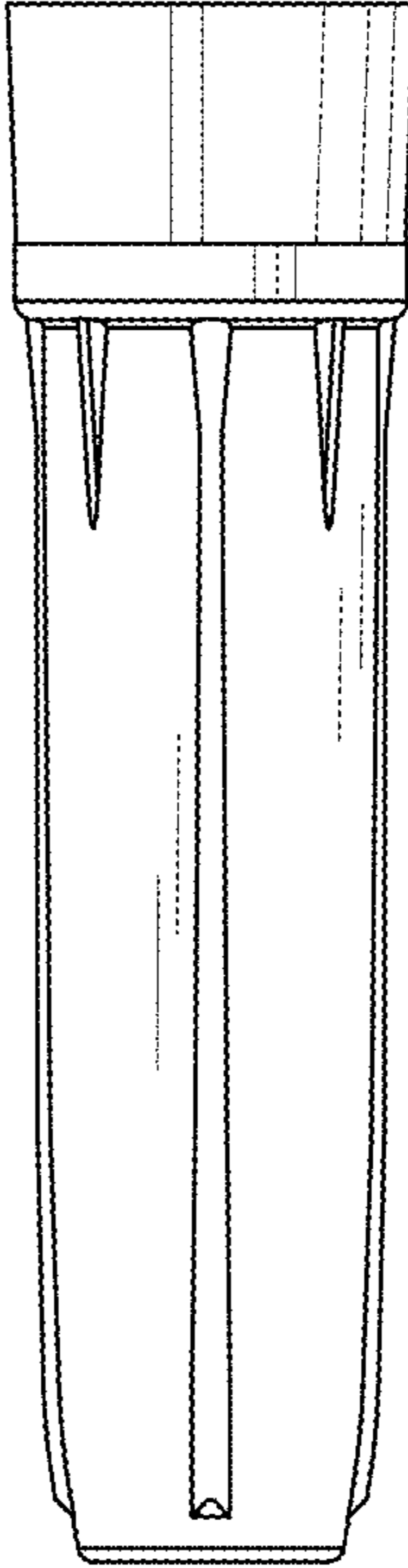


FIG. 3

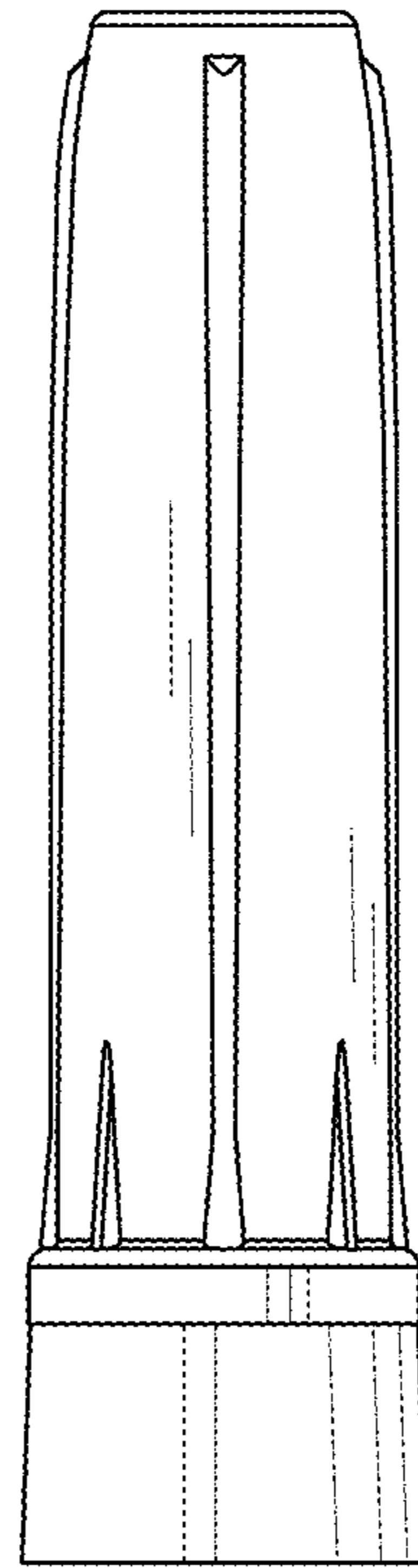
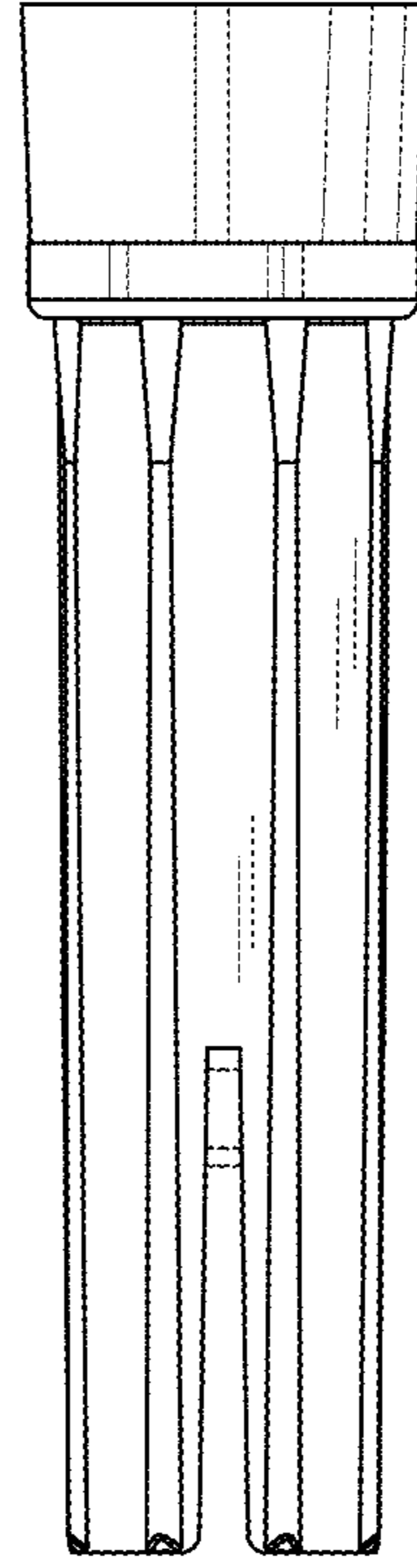
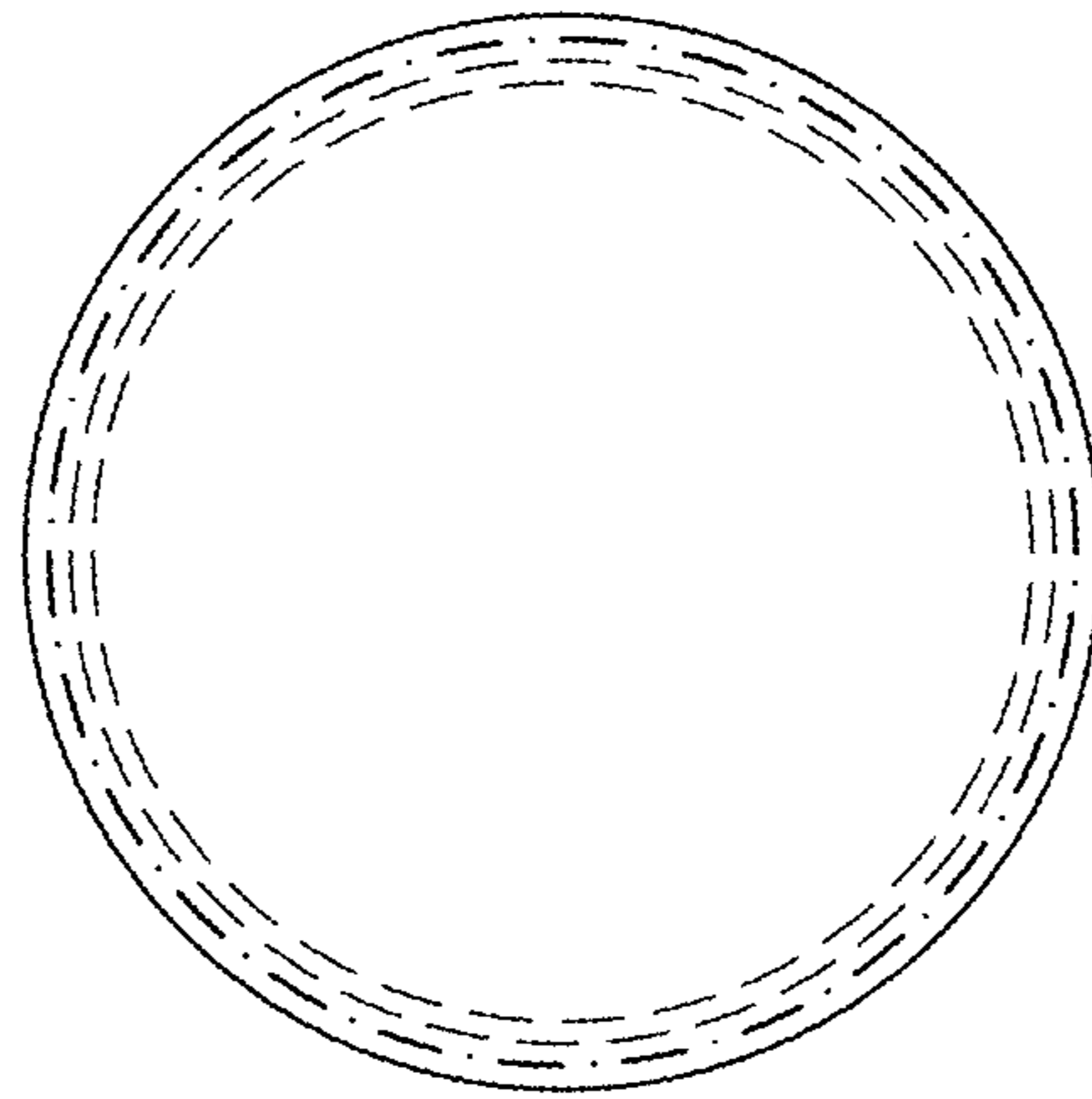


FIG. 4

FIG. 5



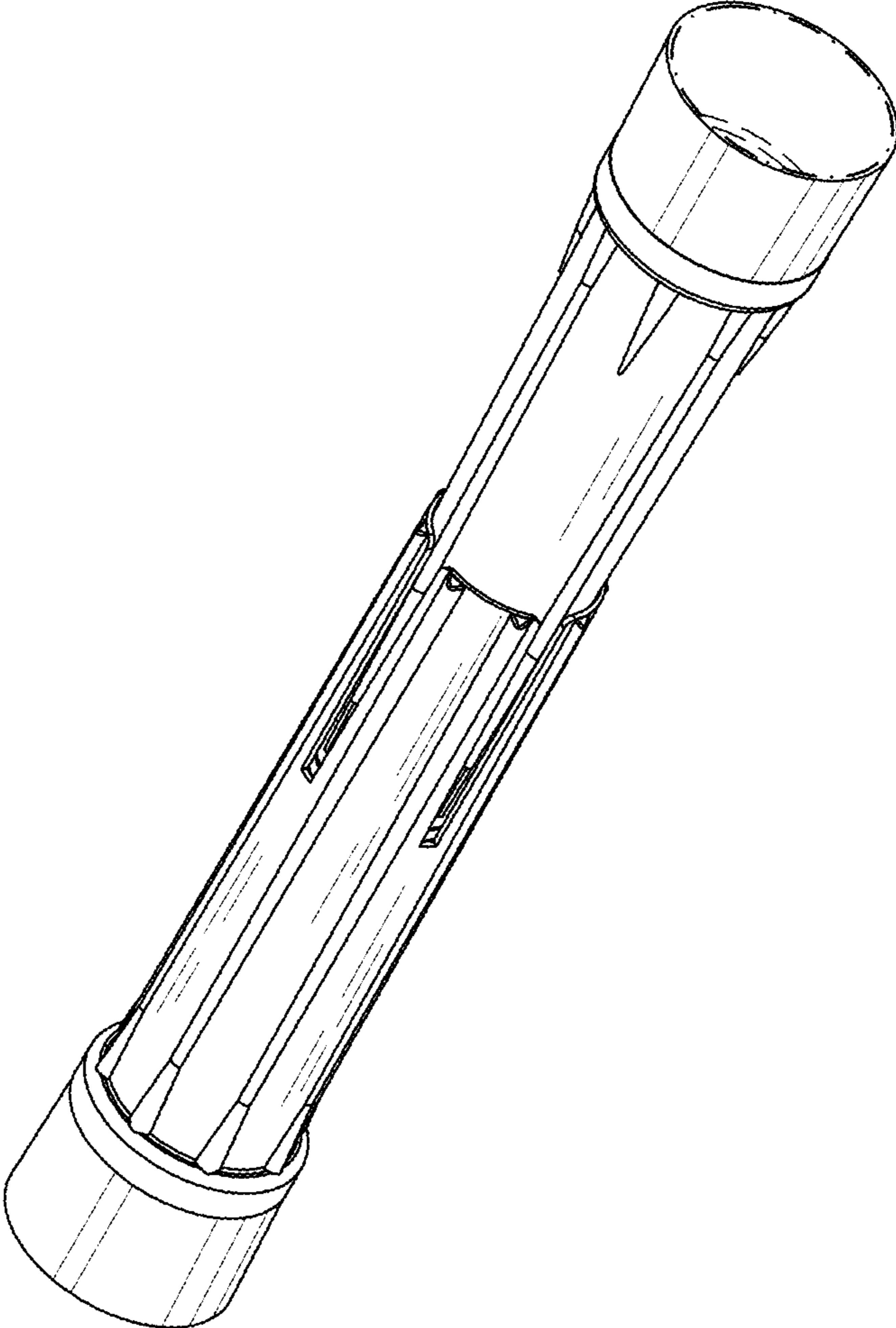


FIG. 6



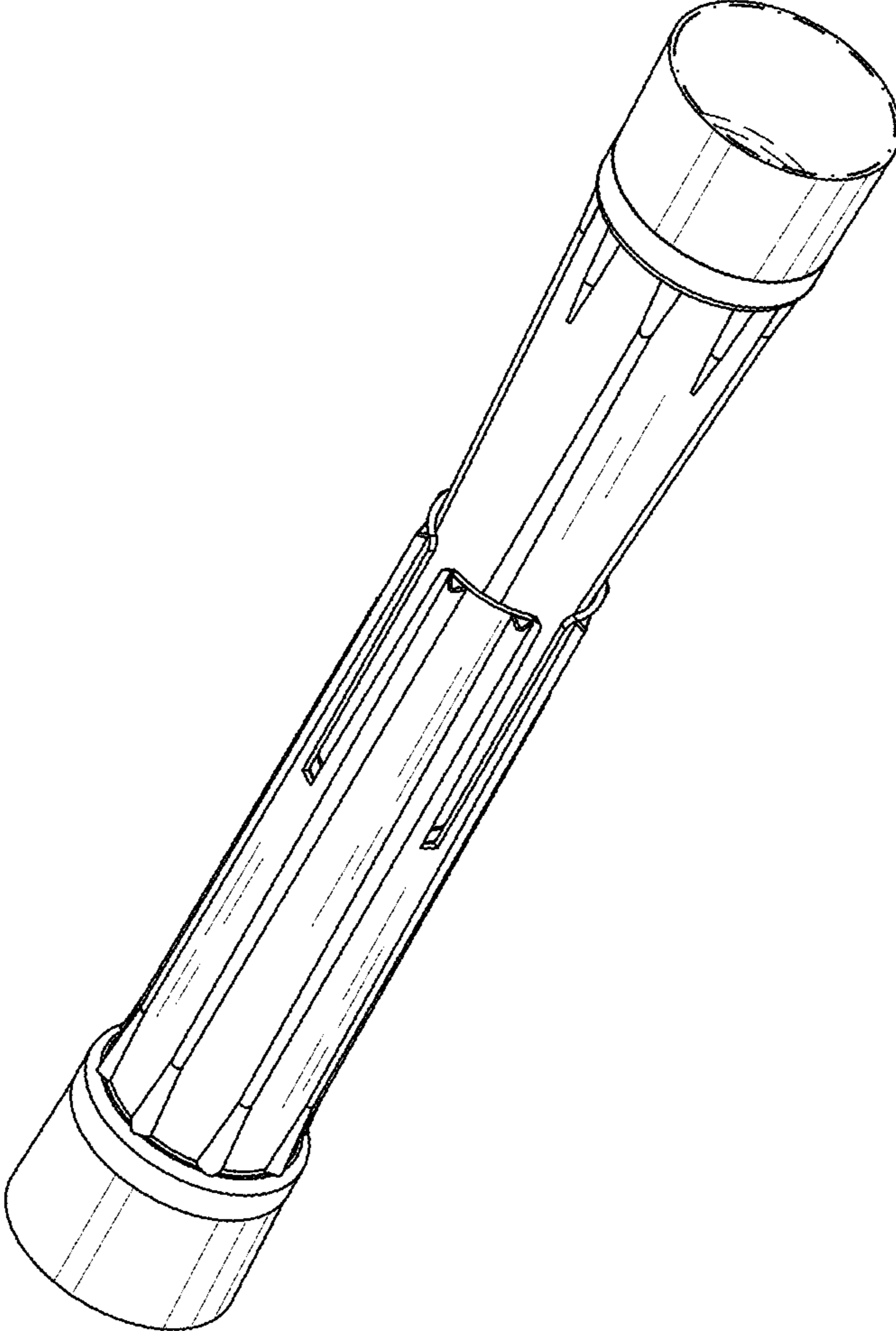


FIG. 7

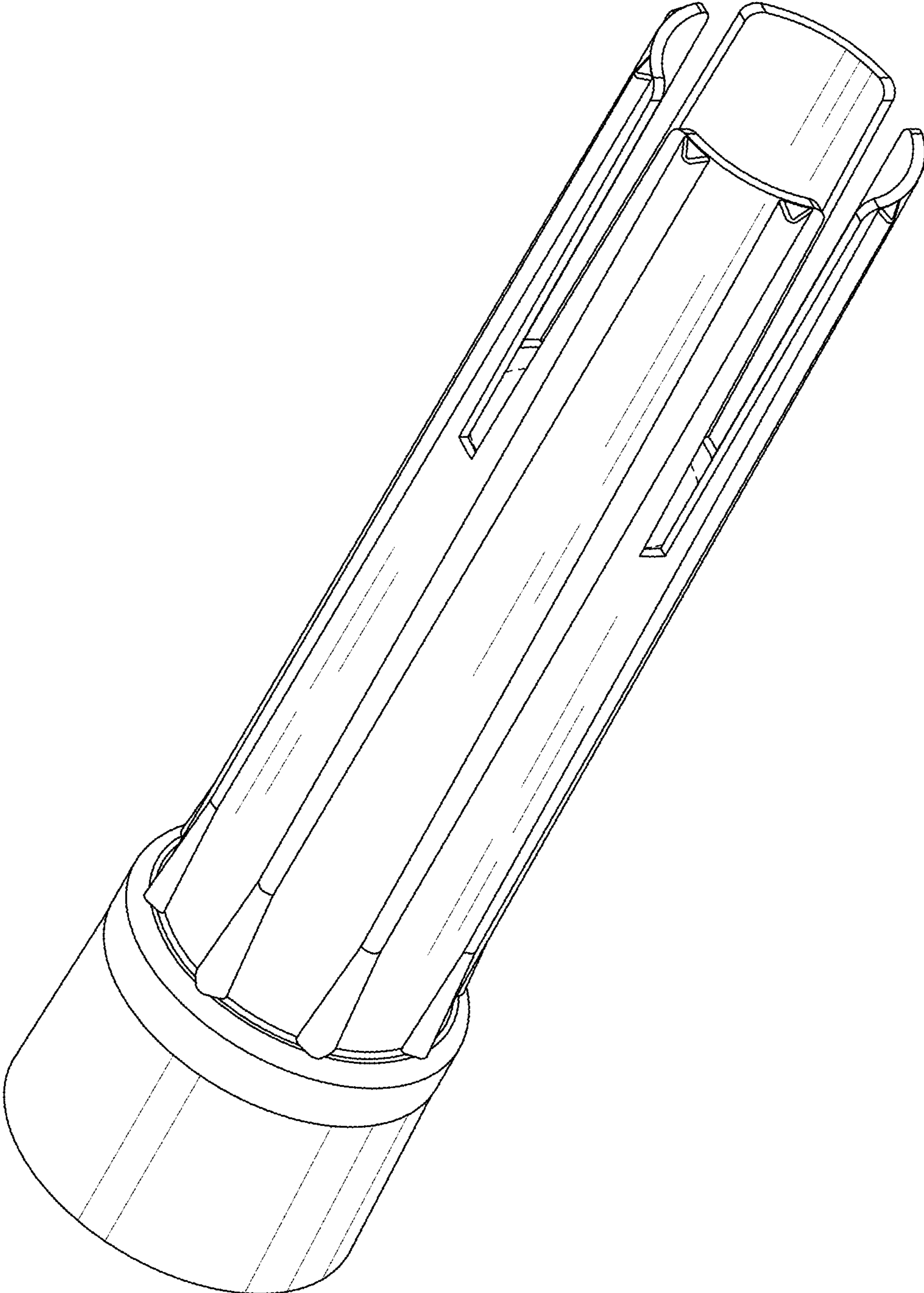


FIG. 8

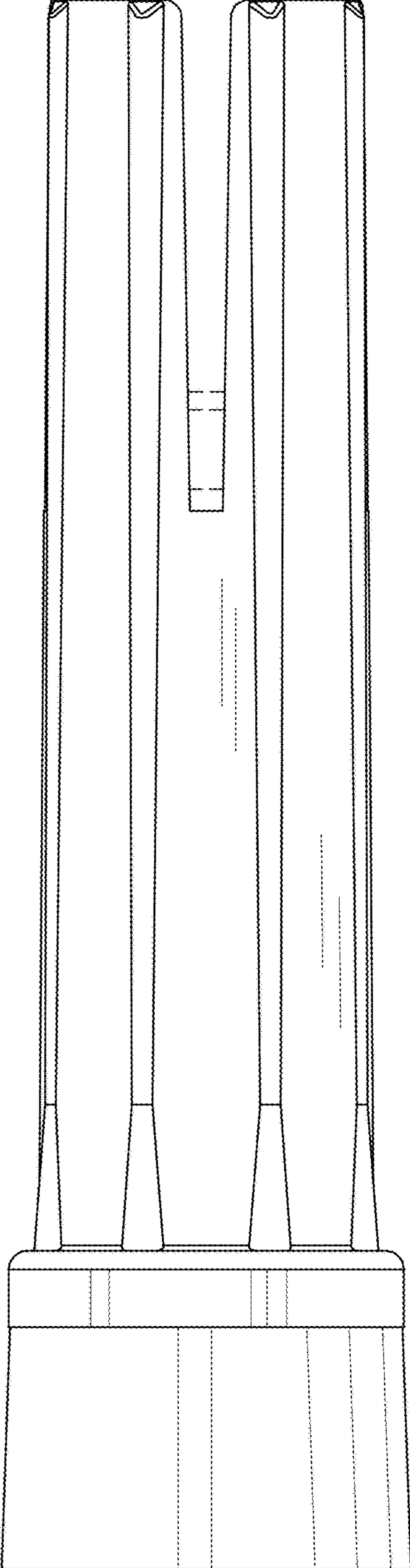


FIG. 9

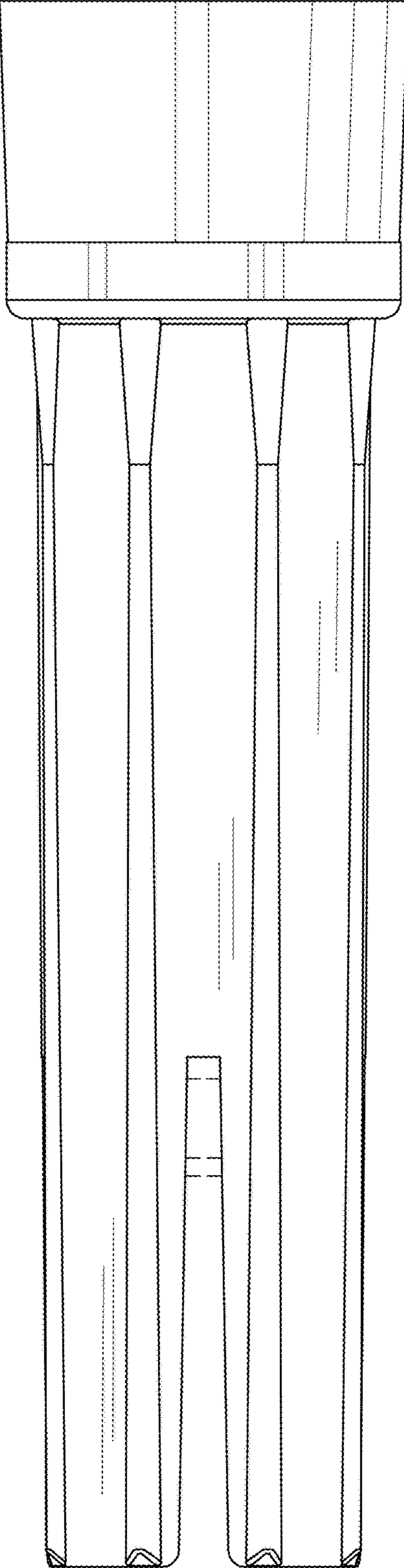


FIG. 10

FIG. 11

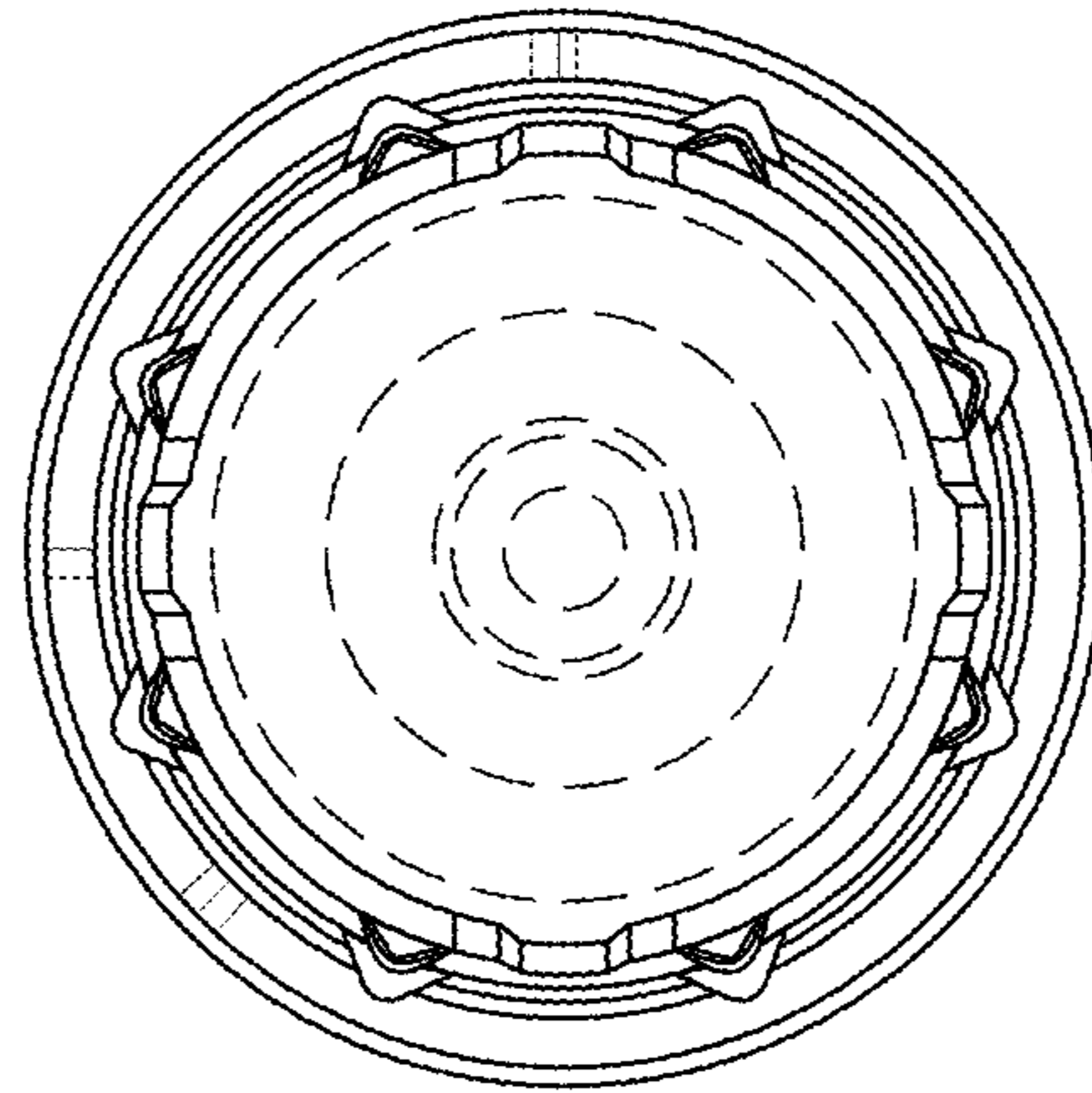
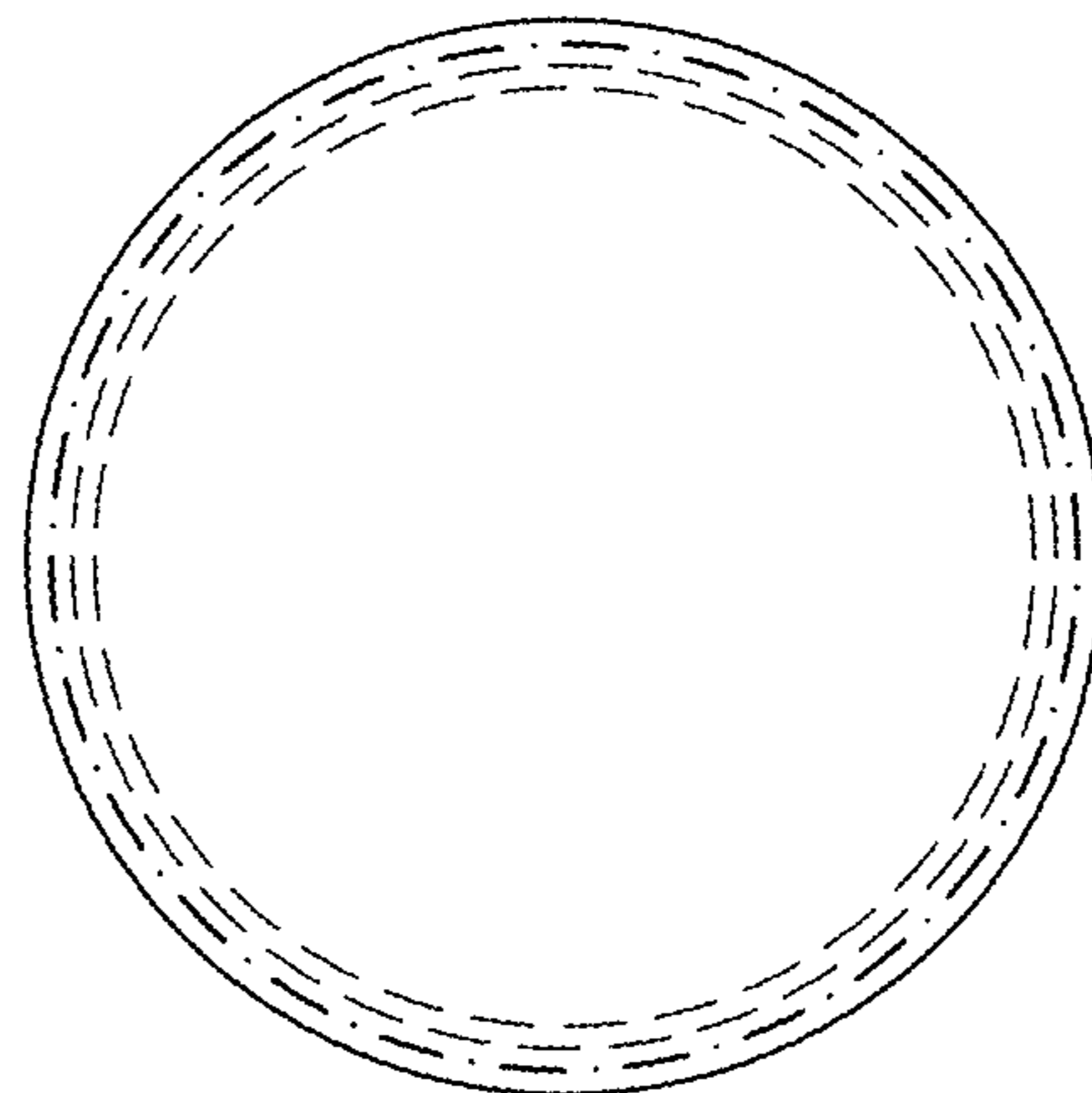


FIG. 12



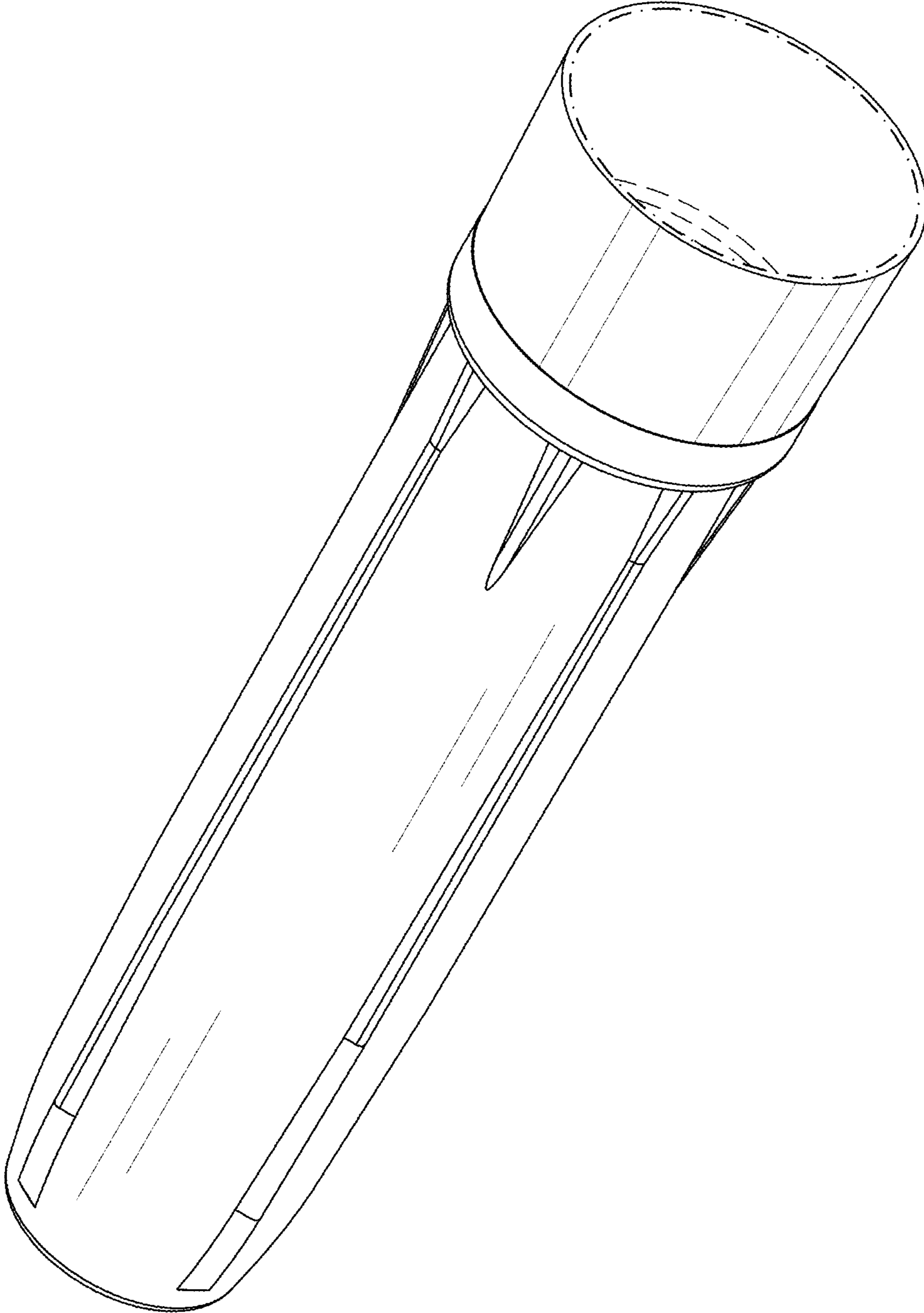


FIG. 13

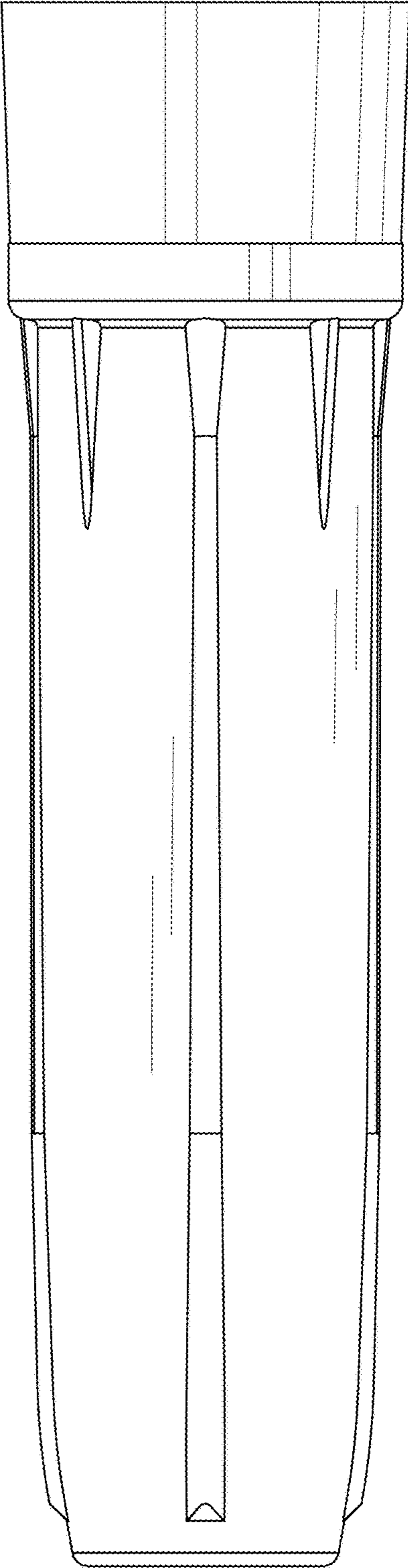


FIG. 14

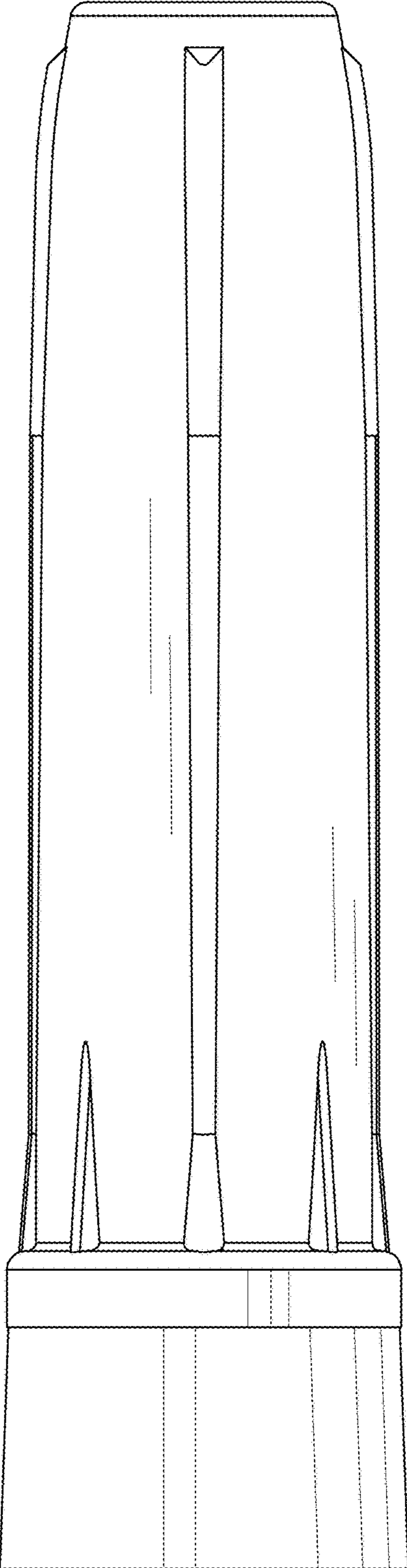


FIG. 15



FIG. 16

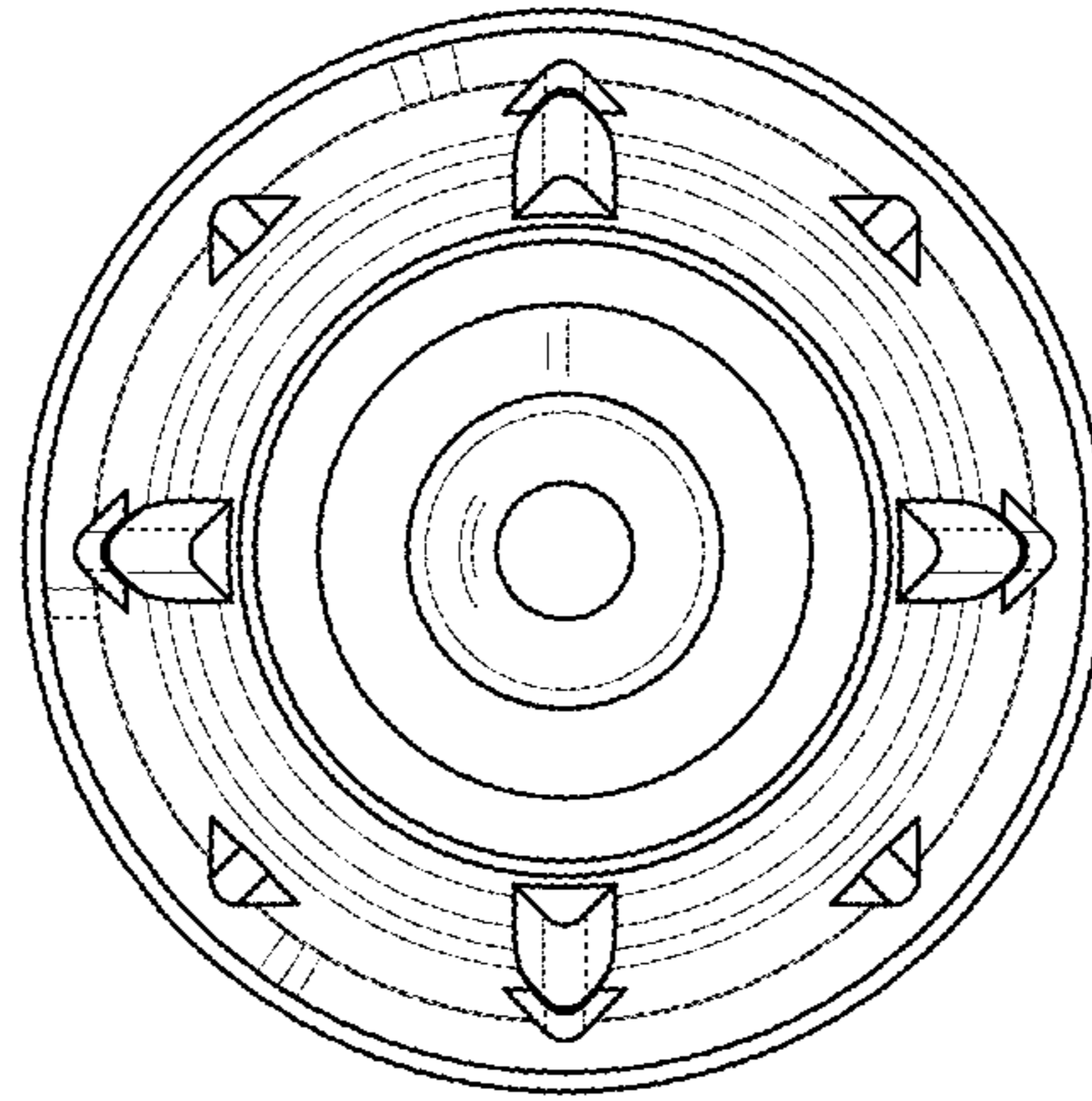
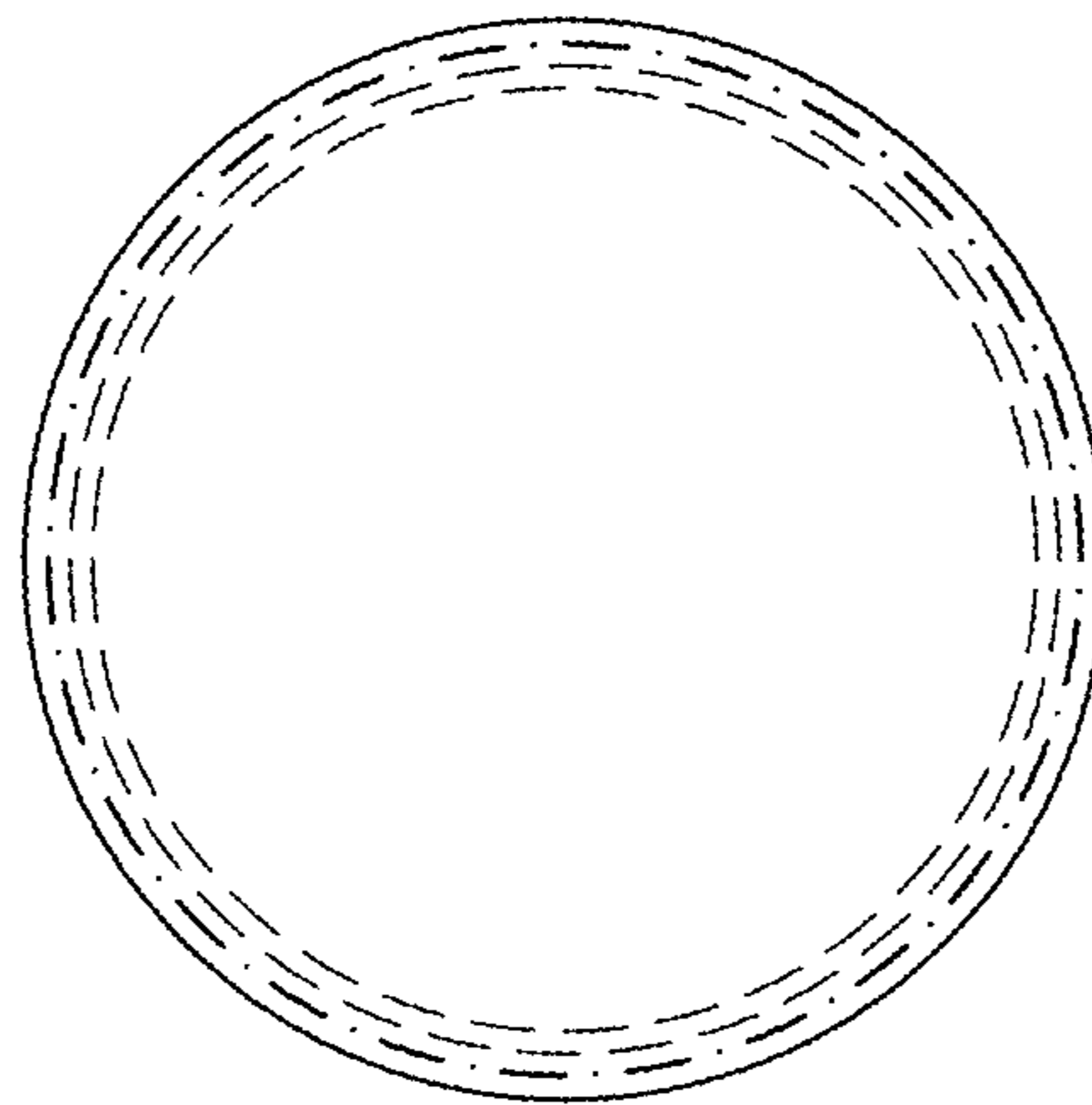


FIG. 17



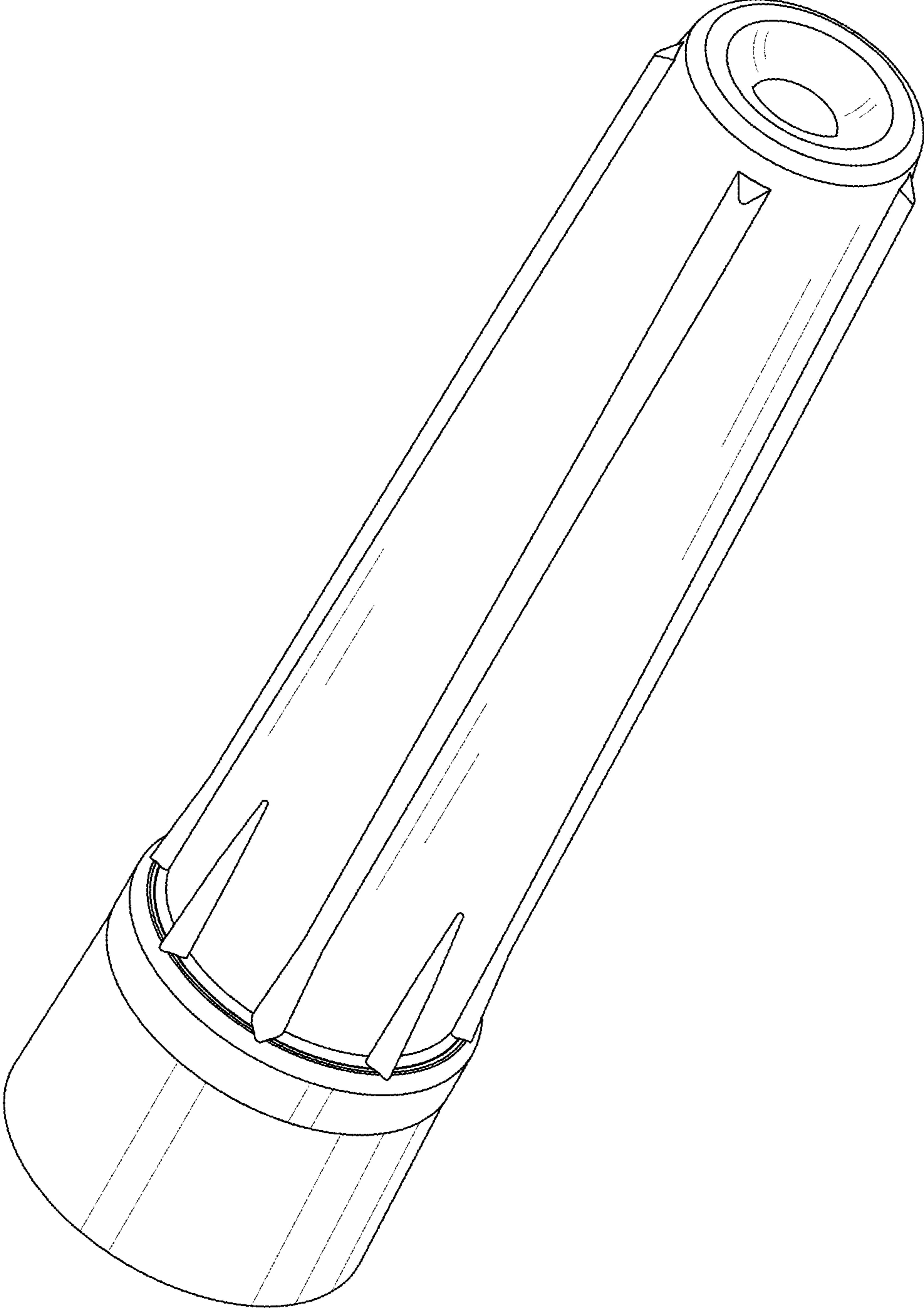


FIG. 18