



US00D810796S

(12) **United States Design Patent**  
**Jørgensen**

(10) **Patent No.:** **US D810,796 S**  
(45) **Date of Patent:** **\*\* Feb. 20, 2018**

(54) **LINEAR ACTUATOR ACCESSORY**

(71) Applicant: **LINAK A/S**, Nordborg (DK)

(72) Inventor: **Rolf Jørgensen**, Middelfart (DK)

(73) Assignee: **Linak A/S**, Nordborg (DK)

(\*\*) Term: **15 Years**

(21) Appl. No.: **29/582,617**

(22) Filed: **Oct. 28, 2016**

(30) **Foreign Application Priority Data**

Nov. 12, 2014 (DK) ..... 2014 00110

(51) **LOC (11) Cl.** ..... **15-09**

(52) **U.S. Cl.**  
USPC ..... **D15/143**

(58) **Field of Classification Search**  
USPC ..... D13/118, 158, 162, 184; D15/1-5, 7, 9,  
D15/143, 148, 149, 199  
CPC .. F16H 25/20; F16H 25/2021; F16H 25/2065;  
F16H 25/2081; F16H 25/2087; Y10T  
74/18056; Y10T 74/18576; Y10T  
74/18688; Y10T 74/18696; Y10T  
74/18752

See application file for complete search history.

(56) **References Cited**

**U.S. PATENT DOCUMENTS**

2,142,830 A \* 1/1939 Wendell ..... A47B 61/02  
211/100  
3,969,599 A \* 7/1976 Terry ..... H01H 13/14  
200/332.1  
5,727,920 A \* 3/1998 Hull ..... B60P 3/127  
280/402  
D608,181 S \* 1/2010 Koizumi ..... D8/354  
D775,677 S \* 1/2017 Jorgensen ..... D15/143

D785,580 S \* 5/2017 Yu ..... H04N 21/414  
D14/125  
D789,644 S \* 6/2017 Donohue ..... D34/35  
D792,354 S \* 7/2017 Lin ..... D13/162  
D795,935 S \* 8/2017 Jorgensen ..... D15/148  
9,735,557 B1 \* 8/2017 Gretz ..... H02G 3/10  
D798,306 S \* 9/2017 Wengreen ..... D14/447  
2005/0236140 A1 \* 10/2005 Sheppard ..... F28D 1/0333  
165/67  
2010/0212233 A1 \* 8/2010 Robinson ..... E05D 15/063  
52/29  
2012/0048652 A1 \* 3/2012 DiGiovanni ..... B66B 9/0815  
187/201  
2013/0112505 A1 \* 5/2013 Zuercher ..... B66B 9/04  
187/200  
2013/0329112 A1 \* 12/2013 Dudkowski ..... H04N 5/2222  
348/333.08  
2017/0065839 A1 \* 3/2017 Weber ..... A62C 2/242  
2017/0170608 A1 \* 6/2017 Zhao ..... H01R 13/6581  
2017/0173779 A1 \* 6/2017 Luis y Prado ..... B25H 1/14  
2017/0207725 A1 \* 7/2017 Kojima ..... H02N 2/026  
2017/0208253 A1 \* 7/2017 Shinzato ..... H04N 5/23287

(Continued)

*Primary Examiner* — Patricia A Palasik

(74) *Attorney, Agent, or Firm* — Dykema Gossett PLLC

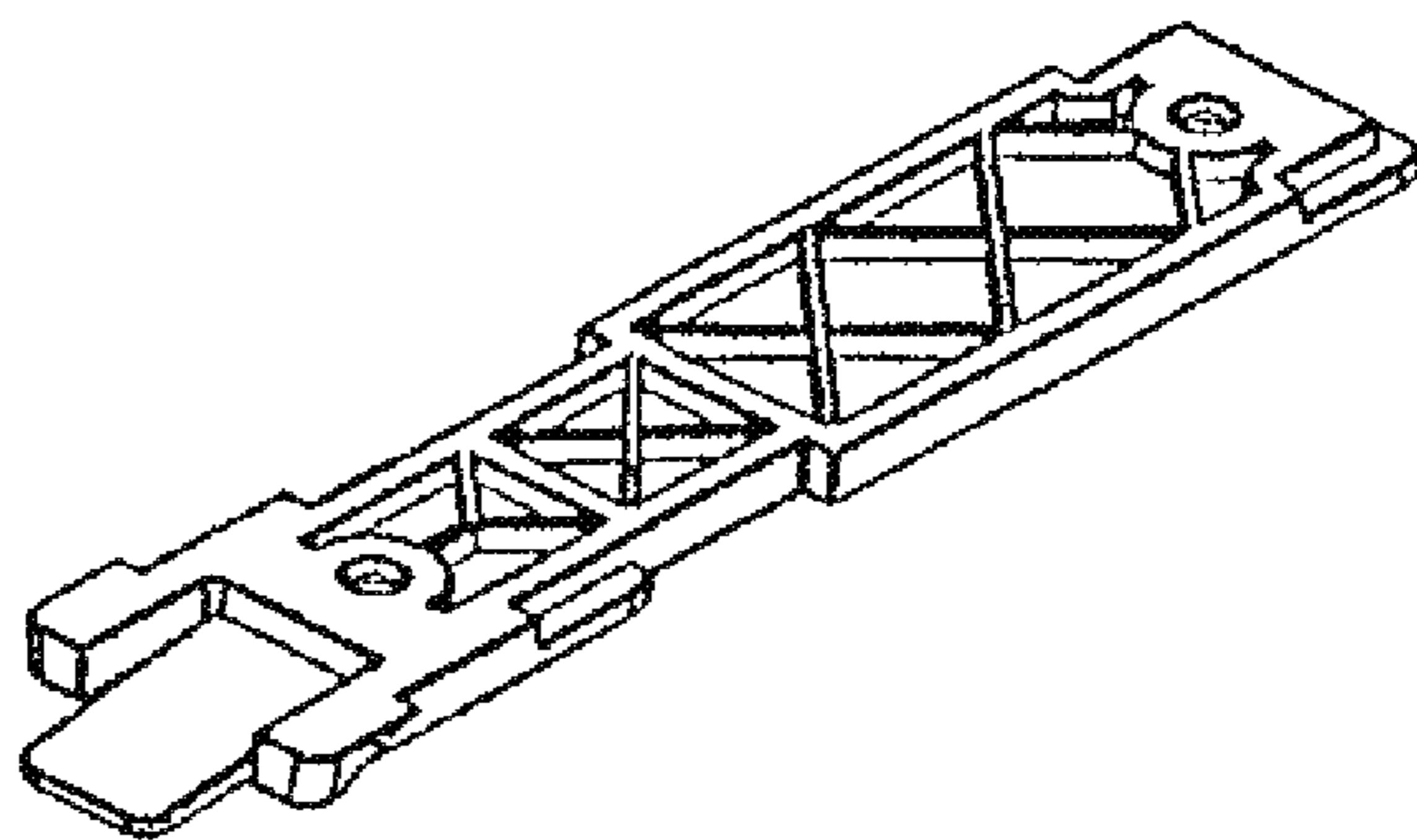
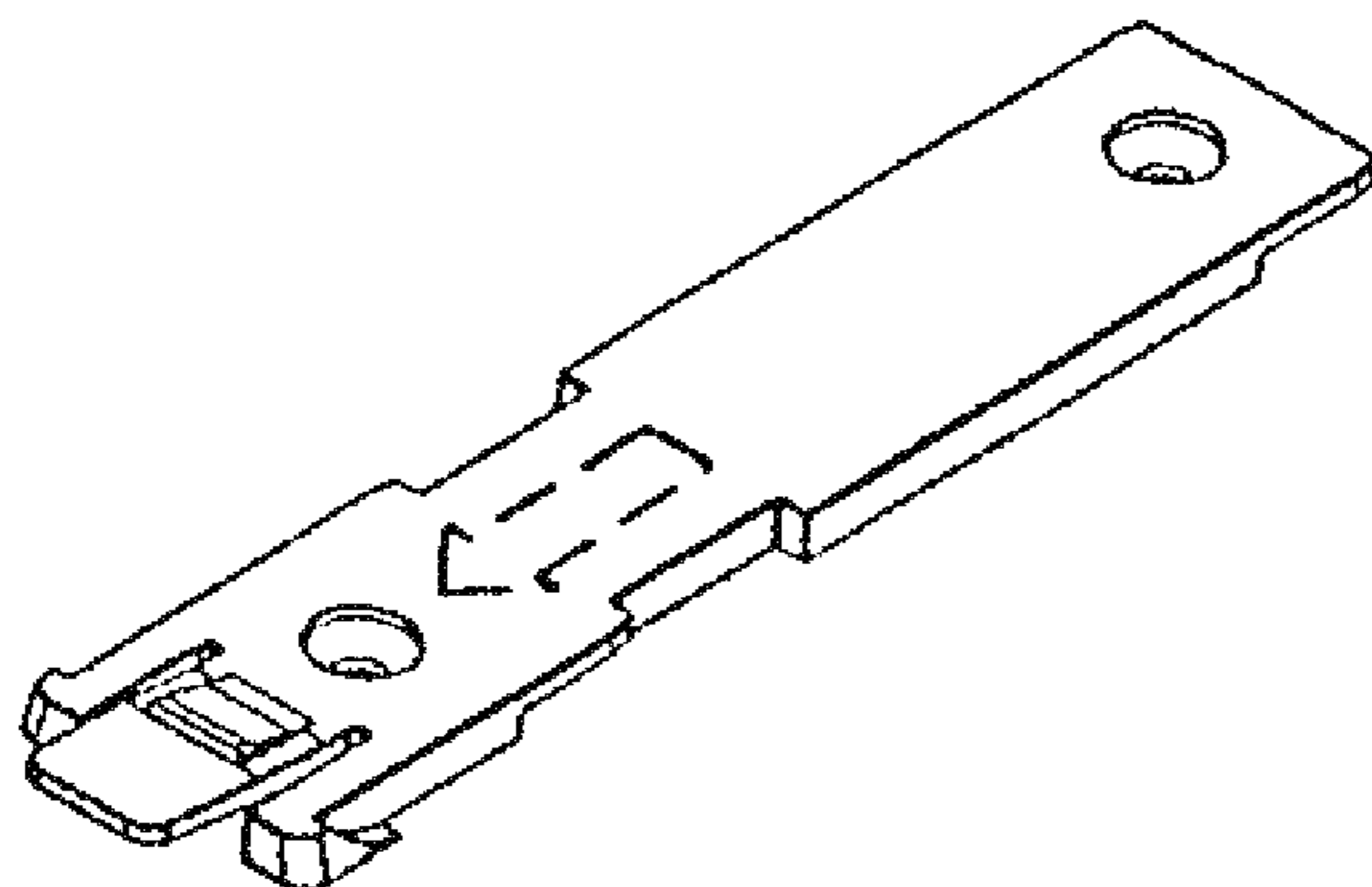
(57) **CLAIM**

The ornamental design for a linear actuator accessory, as shown and described.

**DESCRIPTION**

FIG. 1 is a perspective top view of my new and ornamental design for a linear actuator accessory, FIG. 2 is a perspective bottom view thereof, FIG. 3 is a top plan view thereof, FIG. 4 is an elevational right side view thereof, FIG. 5 is a bottom plan view thereof, FIG. 6 is an elevational rear view thereof, FIG. 7 is an elevational front view thereof; and, FIG. 8 is an elevational left side view thereof.

**1 Claim, 1 Drawing Sheet**



(56)

**References Cited**

U.S. PATENT DOCUMENTS

2017/0276224 A1\* 9/2017 Creech ..... F16H 48/34  
2017/0280215 A1\* 9/2017 Lee ..... H04R 1/028

\* cited by examiner

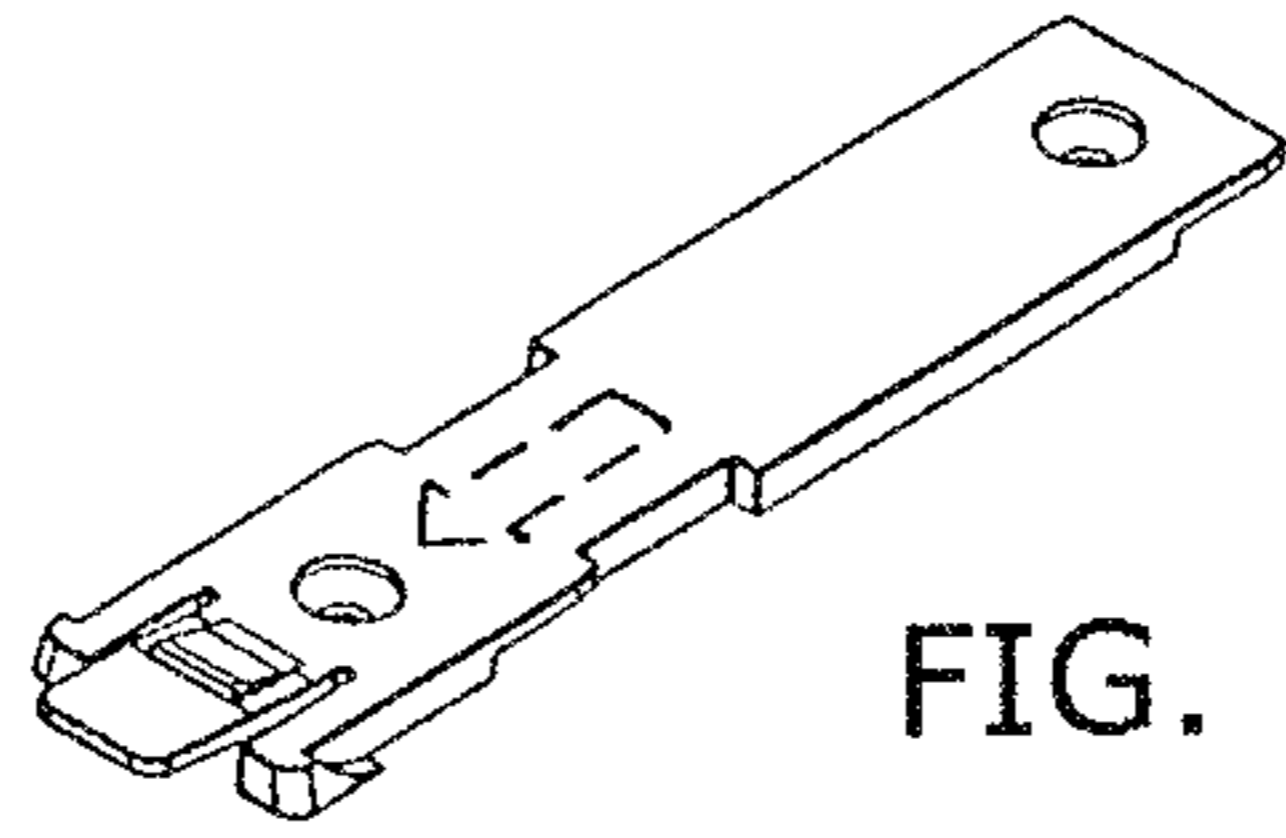


FIG. 1

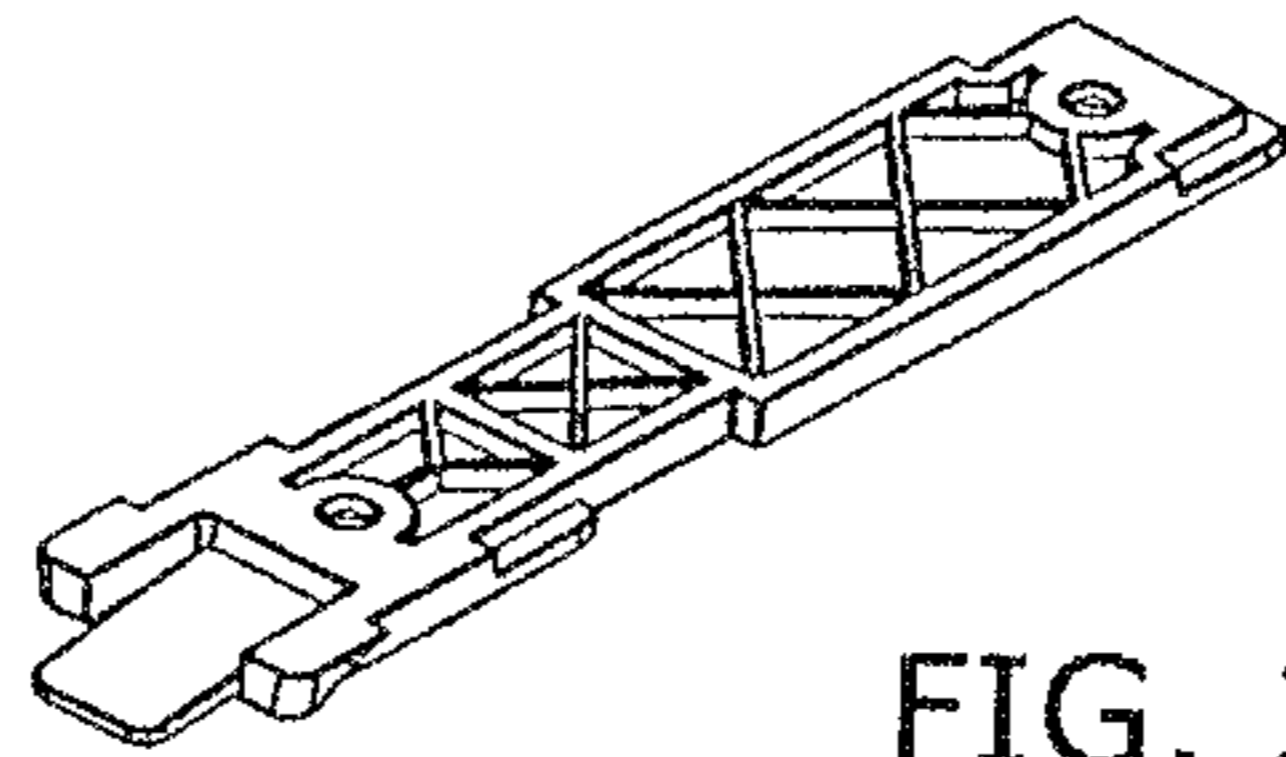


FIG. 2

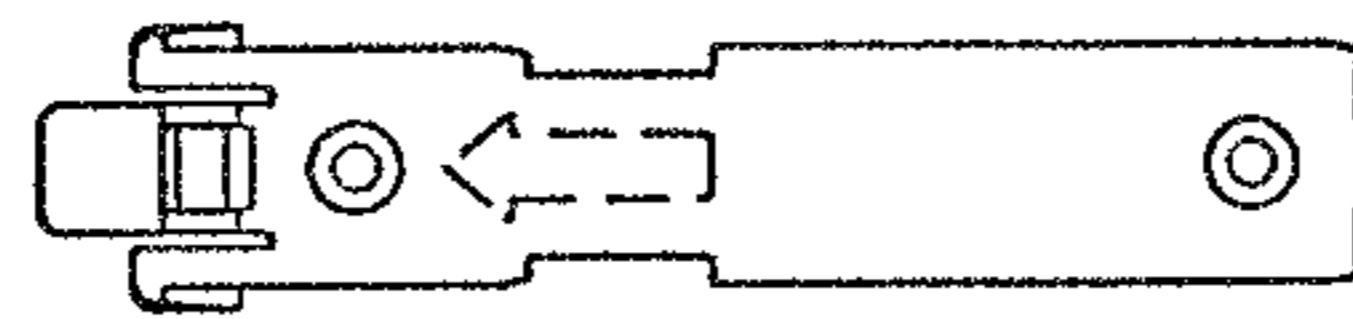


FIG. 3



FIG. 4



FIG. 6

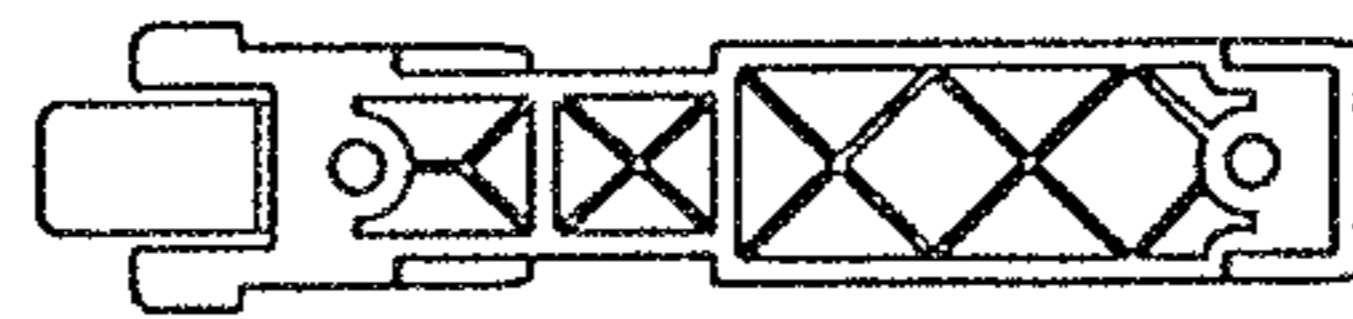


FIG. 5



FIG. 7



FIG. 8