



US00D810794S

(12) **United States Design Patent**
Kim et al.

(10) **Patent No.:** **US D810,794 S**
(45) **Date of Patent:** **** Feb. 20, 2018**

(54) **REFRIGERATOR**

F25D 29/005; F25D 29/008; F25D
31/002

(71) Applicant: **Samsung Electronics Co., Ltd.**,
Suwon-si (KR)

See application file for complete search history.

(72) Inventors: **Ki-Soo Kim**, Gunpo-Si (KR);
Da-Jeong Kim, Seoul (KR); **Yeon-Jin**
Jo, Suwon-si (KR)

(56) **References Cited**

U.S. PATENT DOCUMENTS

D658,213 S * 4/2012 Seo D15/86
D676,467 S * 2/2013 Kim D15/86
D729,286 S * 5/2015 Kwak D15/85
D742,432 S 11/2015 Jeon

(Continued)

(73) Assignee: **Samsung Electronics Co., Ltd.**,
Suwon-si (KR)

FOREIGN PATENT DOCUMENTS

(**) Term: **15 Years**

CN 2009301794658 12/2009
CN 201130452456.9 10/2012

(21) Appl. No.: **29/603,645**

(Continued)

(22) Filed: **May 11, 2017**

Primary Examiner — Ian Simmons
Assistant Examiner — Khawaja Anwar
(74) *Attorney, Agent, or Firm* — NSIP Law

Related U.S. Application Data

(63) Continuation of application No. 29/561,538, filed on
Apr. 18, 2016, now Pat. No. Des. 789,995.

(57) **CLAIM**

We claim the ornamental design for a refrigerator, as shown
and described.

(30) **Foreign Application Priority Data**

Nov. 16, 2015 (KR) 30-2015-0057635

(51) **LOC (11) Cl.** **15-07**

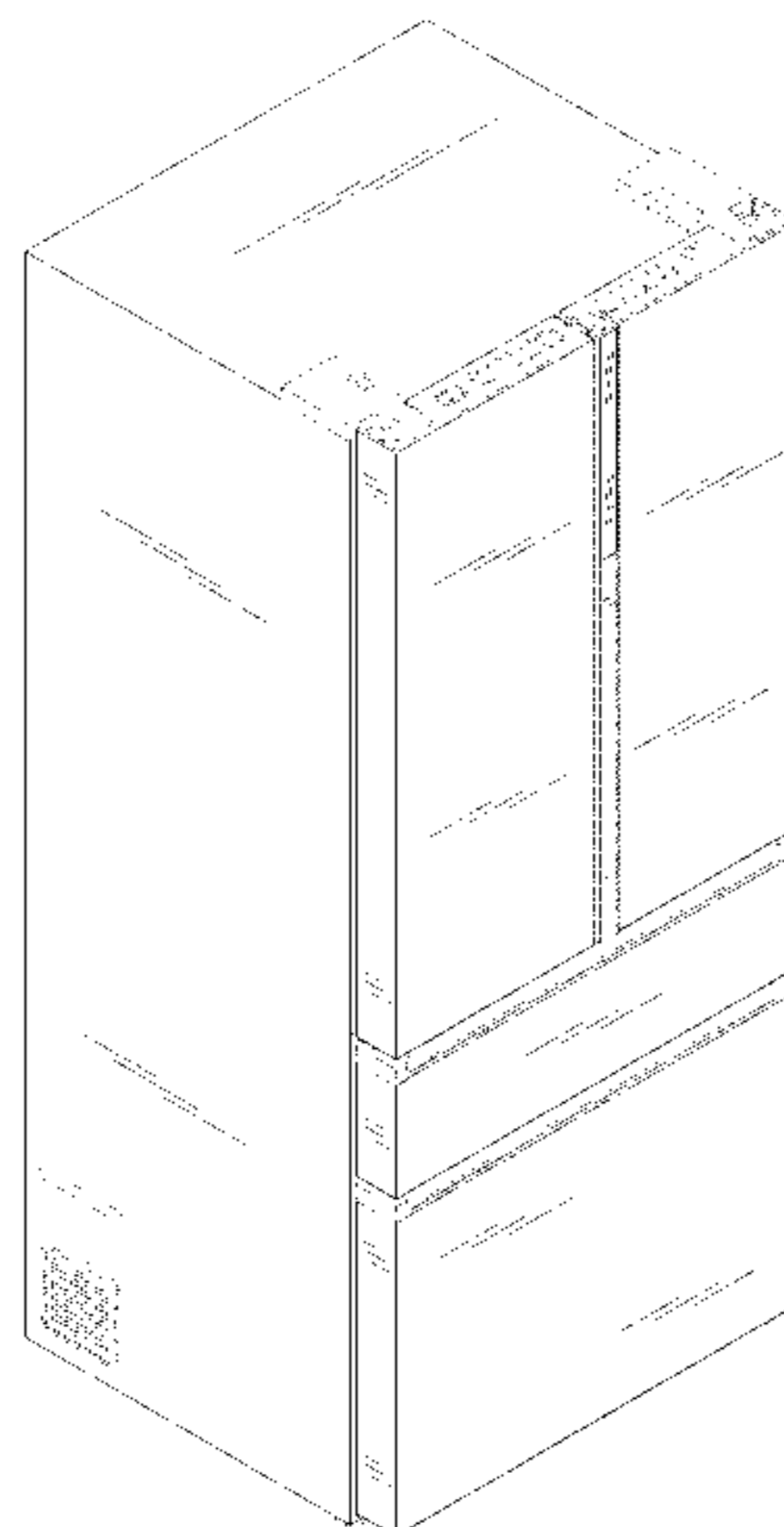
(52) **U.S. Cl.**
USPC **D15/85**

(58) **Field of Classification Search**
USPC D15/79–91
CPC F25D 29/00; F25D 11/003; F25D 2700/08;
F25D 11/02; F25D 11/022; F25D 13/06;
F25D 19/006; F25D 2201/14; F25D
2323/00261; F25D 2323/00262; F25D
2323/00272; F25D 2400/361; F25D
2500/06; F25D 2700/02; F25D 2700/12;

DESCRIPTION

FIG. 1 is a front perspective view of a refrigerator showing
our new design;
FIG. 2 is a front view thereof;
FIG. 3 is a rear view thereof;
FIG. 4 is a left-side view thereof;
FIG. 5 is a right-side view thereof;
FIG. 6 is a top view thereof;
FIG. 7 is a bottom view thereof;
FIG. 8 is an enlarged view of the encircled portion in FIG.
2;
FIG. 9 is an enlarged view of the encircled portion in FIG.
4; and,
FIG. 10 is an enlarged view of the encircled portion in FIG.
4.

The broken lines in the figures show portions of the refrig-
erator which form no part of the claimed design. The
(Continued)



dot-dash broken lines encircling portions of the claimed design that are illustrated in enlargements form no part of the claimed design.

1 Claim, 9 Drawing Sheets

(56) **References Cited**

U.S. PATENT DOCUMENTS

D742,433 S	11/2015	Jeon	
D742,434 S	11/2015	Yeo	
D771,724 S	11/2016	Jeon	
D773,538 S	12/2016	Jeon	
D786,318 S *	5/2017	Kim D15/86
D786,947 S *	5/2017	Kim D15/86
D789,995 S *	6/2017	Kim D15/85
D791,199 S *	7/2017	Kim D15/86
D797,820 S *	9/2017	Kim D15/86

FOREIGN PATENT DOCUMENTS

JP	D1358375	5/2009
KR	30-2011-0031651	1/2013
KR	30-2014-0003701	9/2014

* cited by examiner

FIG. 1

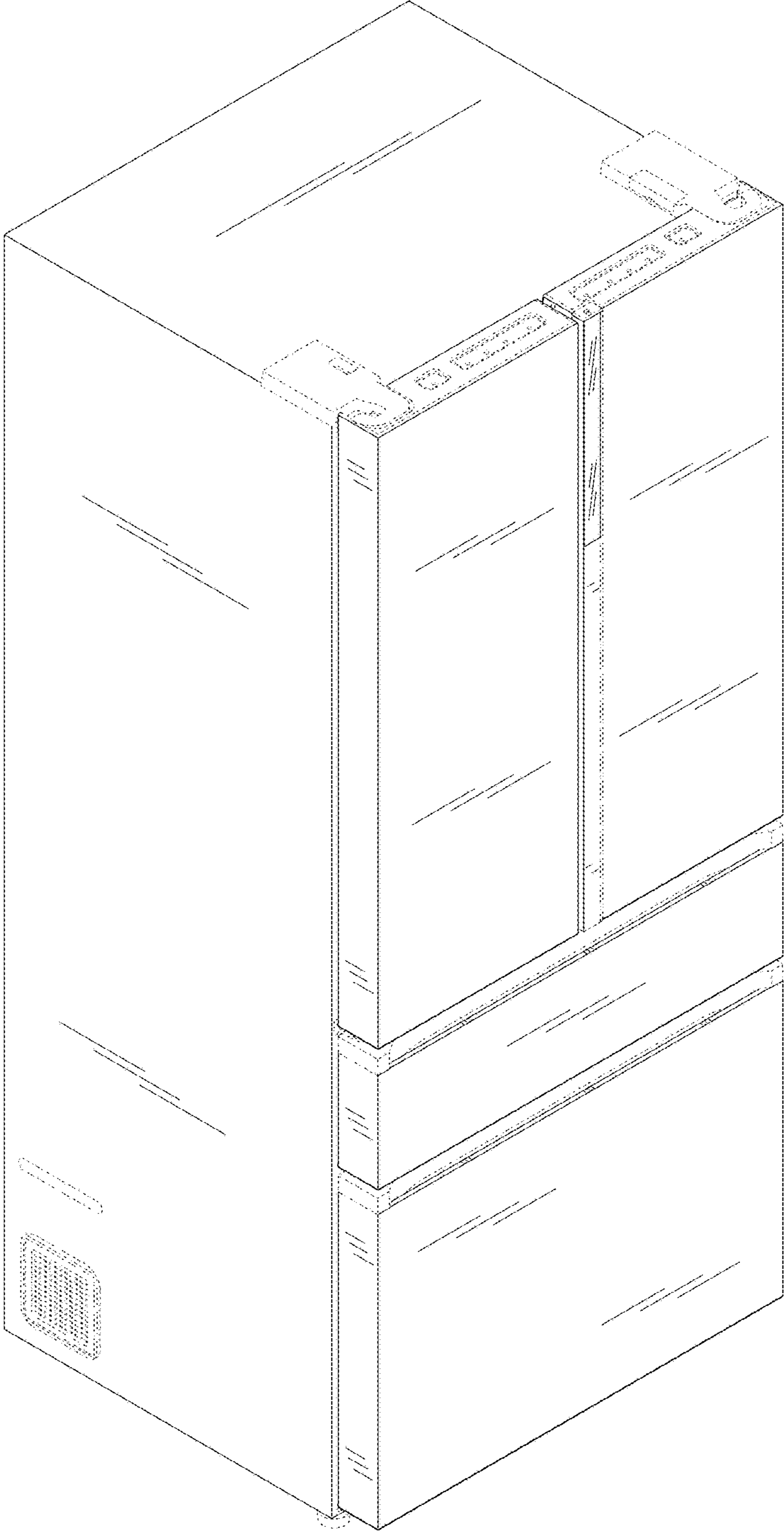


FIG. 2

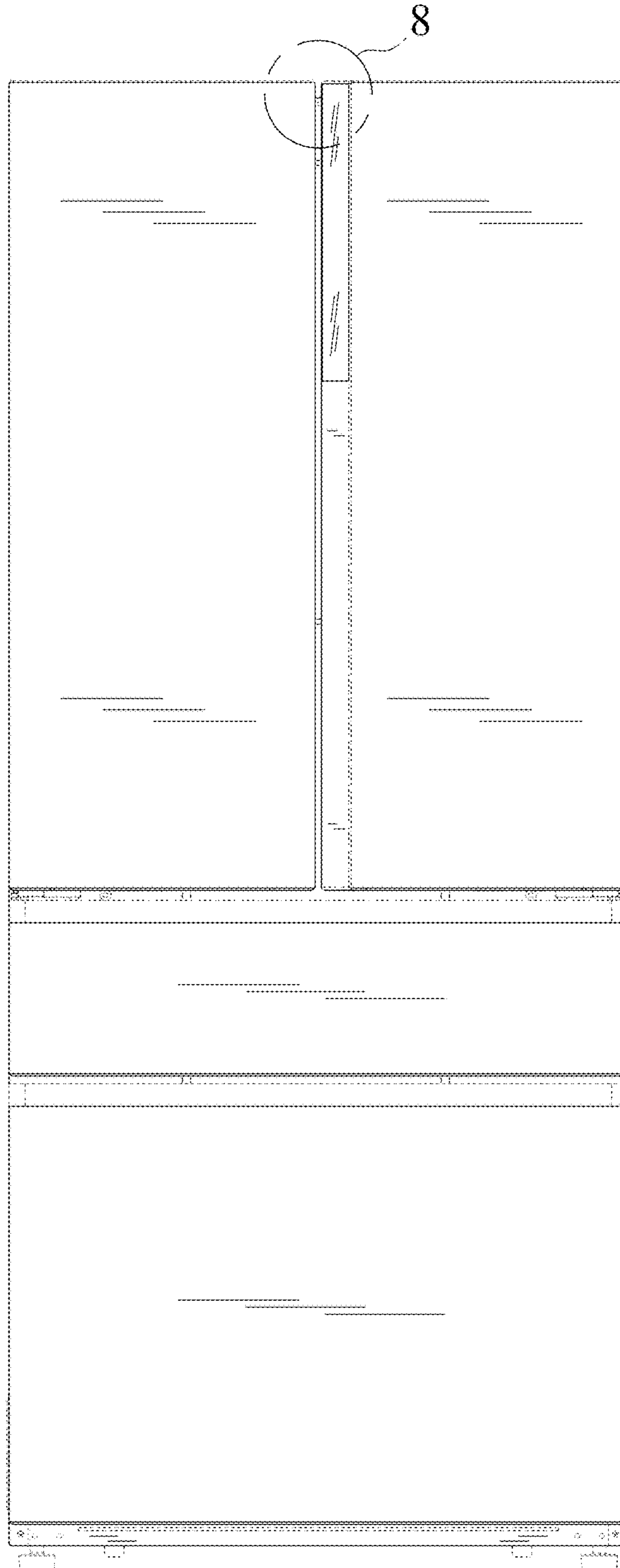


FIG. 3

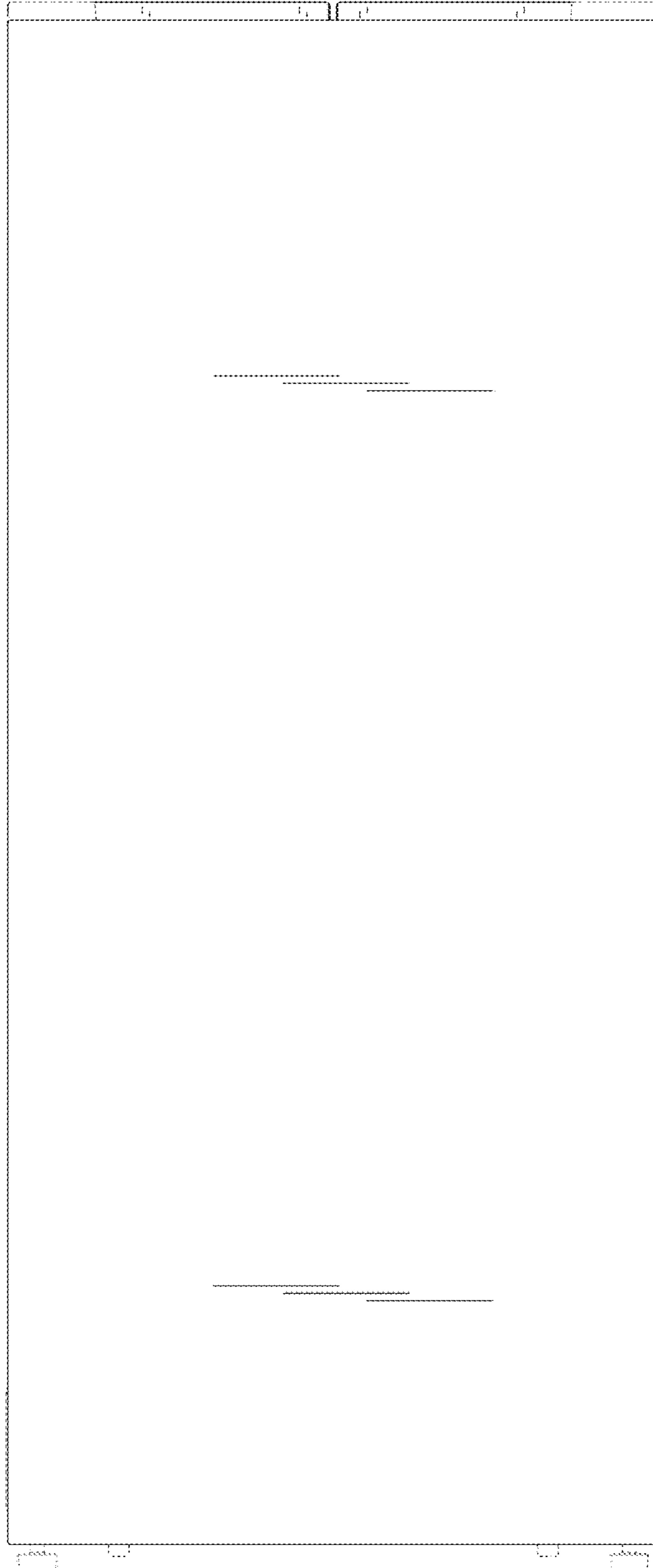


FIG. 4

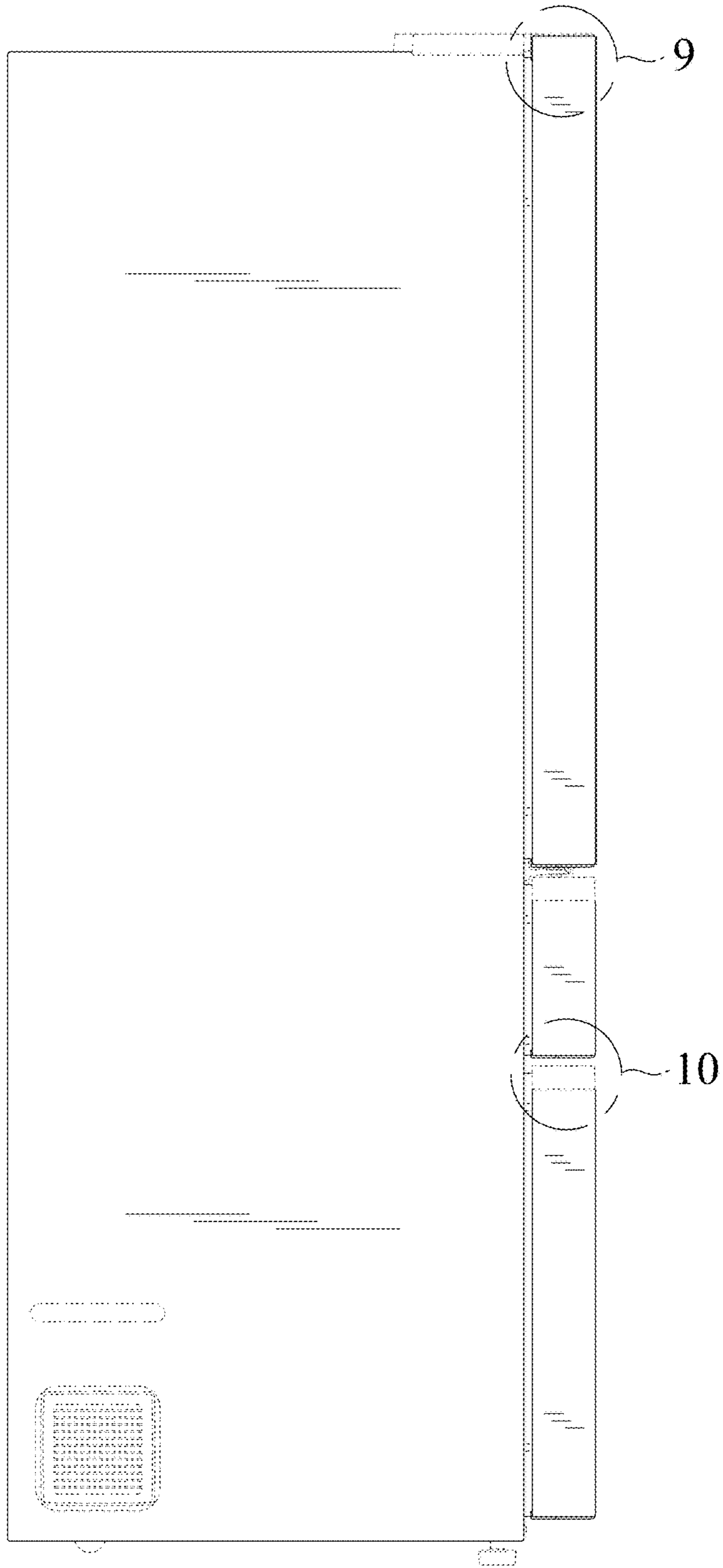


FIG. 5

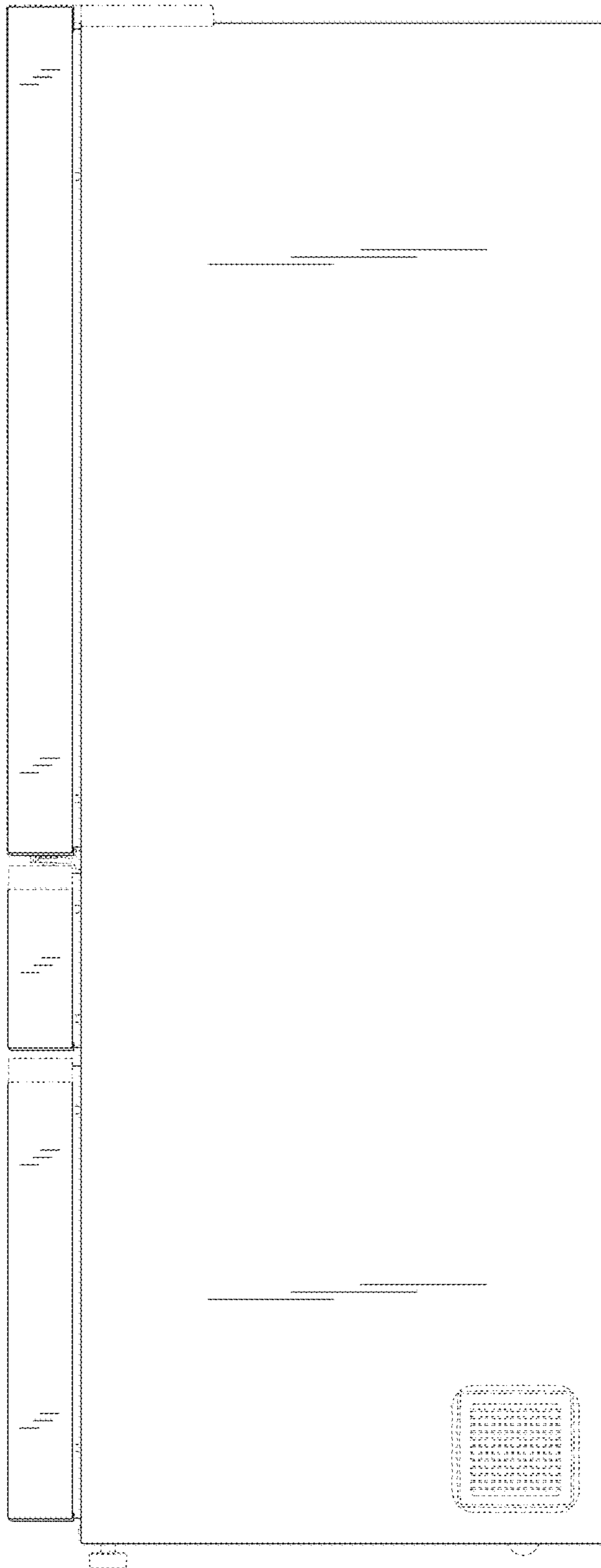


FIG. 6

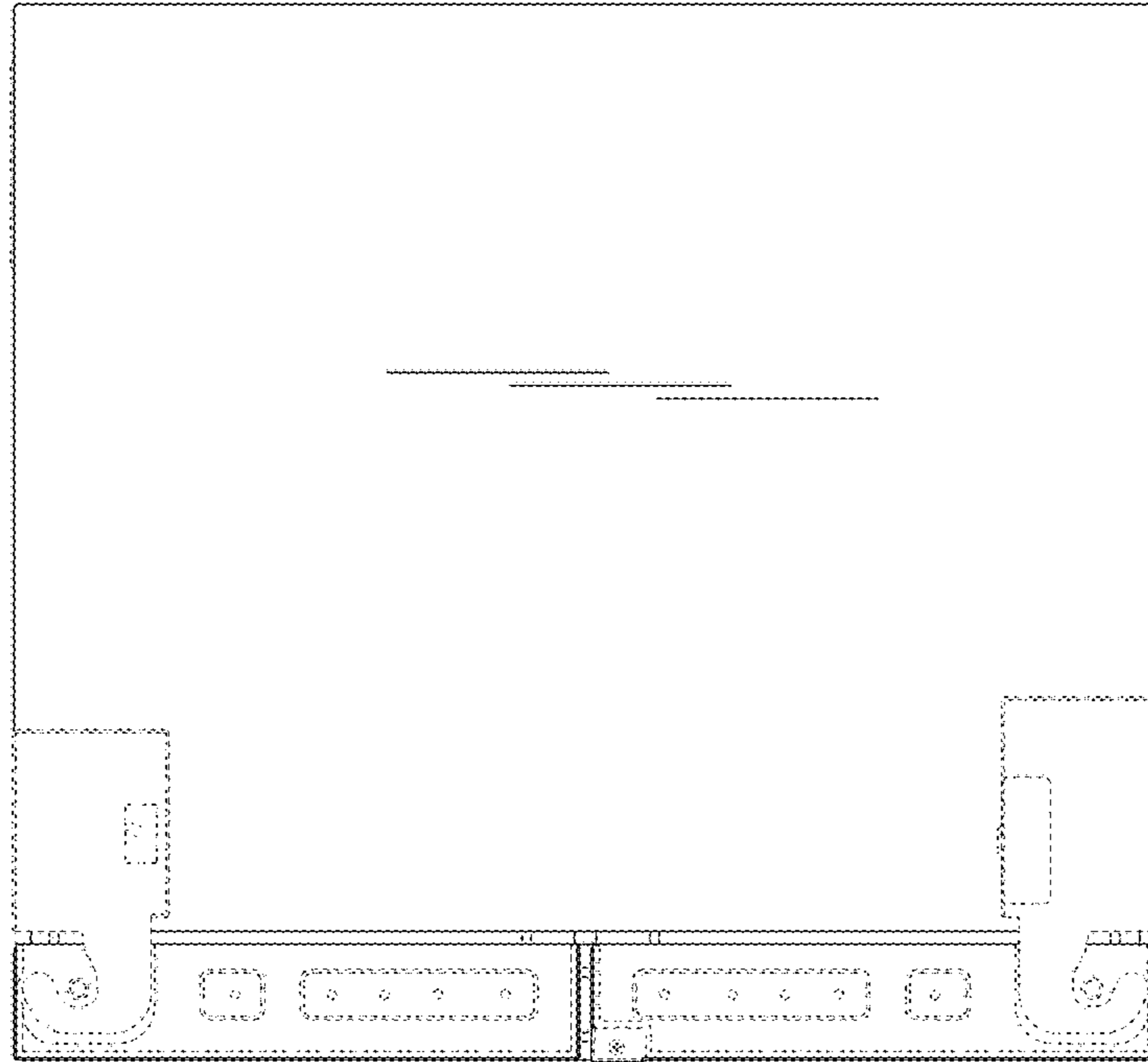


FIG. 7

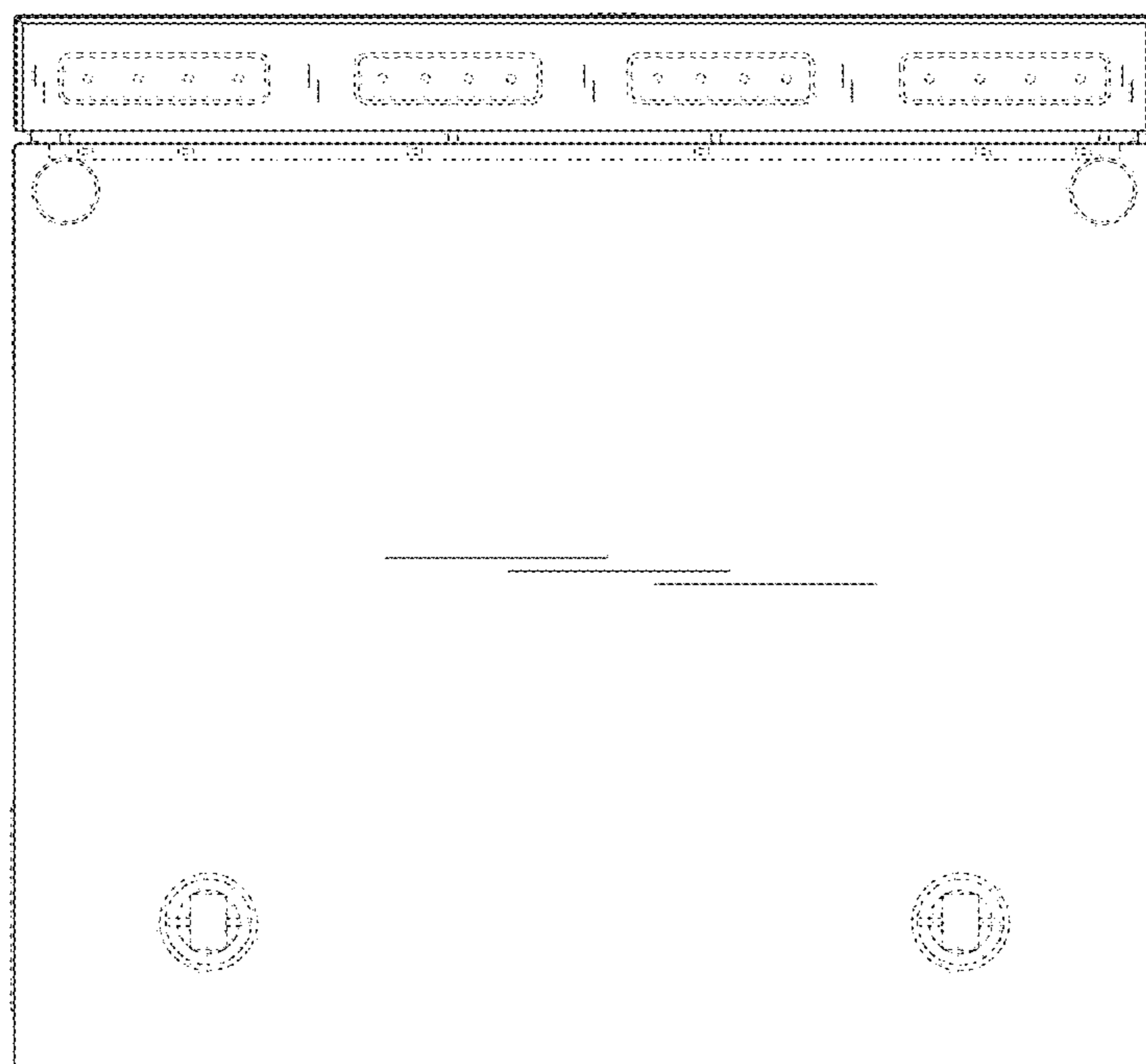


FIG. 8

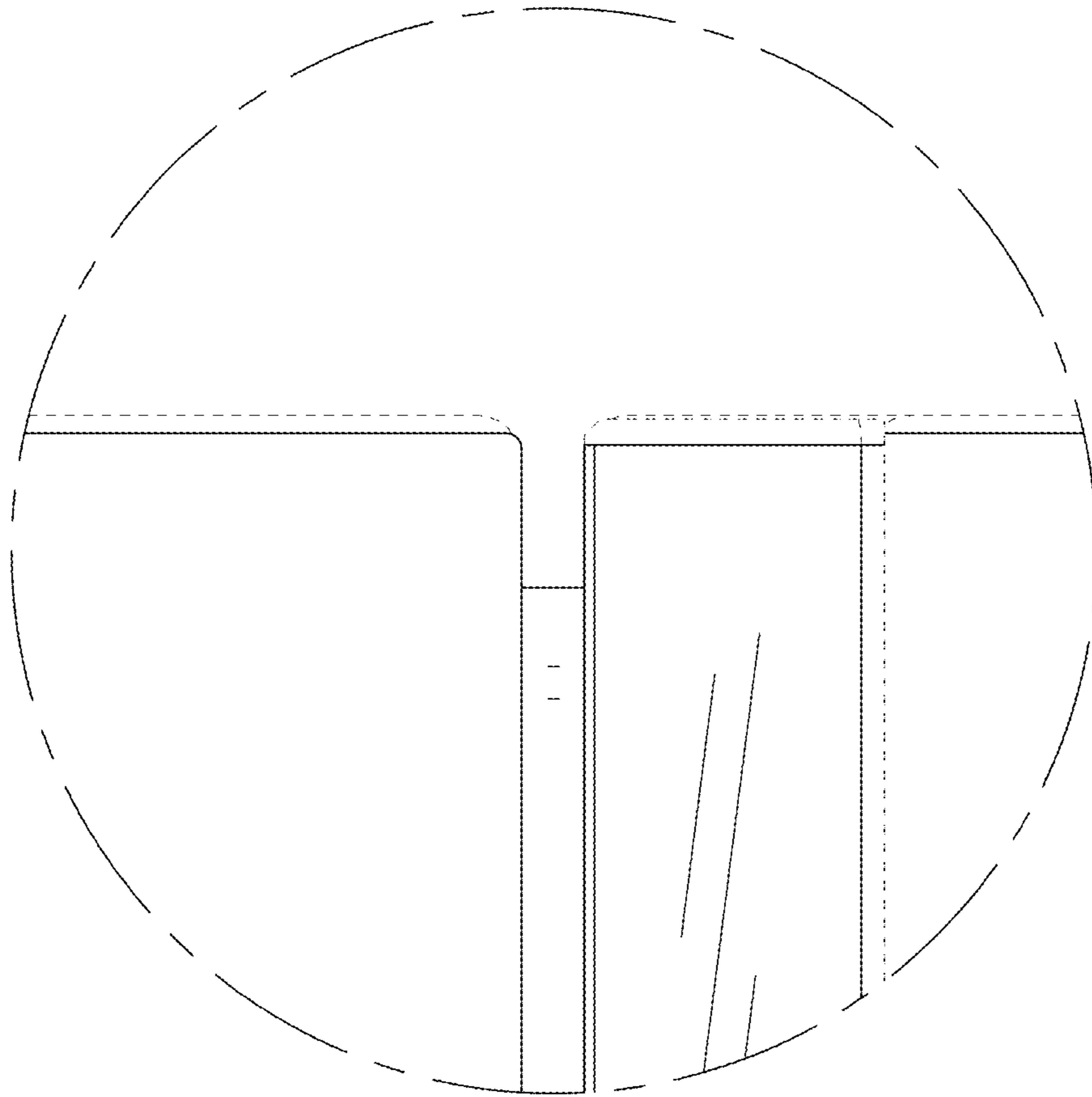


FIG. 9

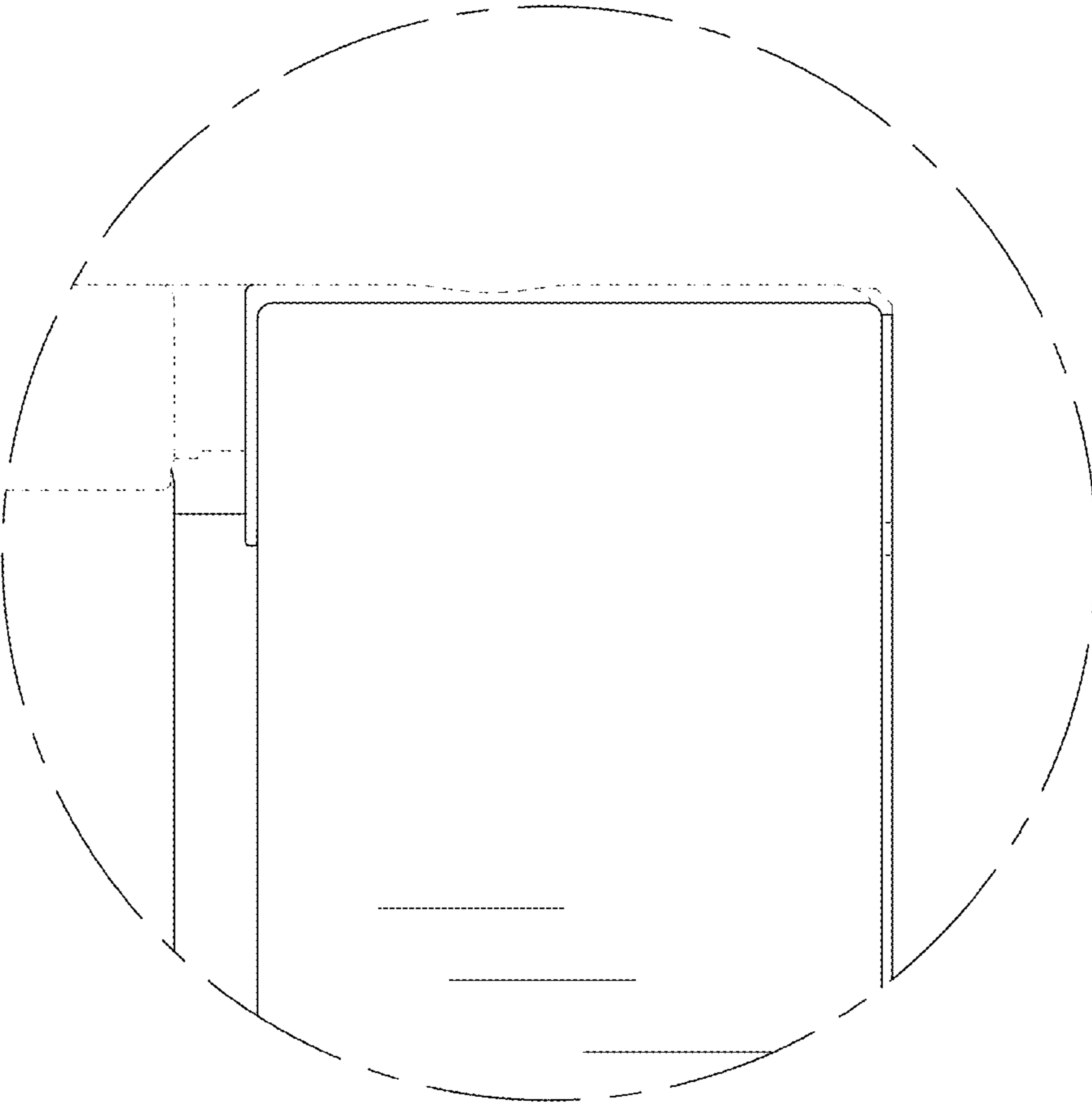


FIG. 10

