



US00D810793S

(12) **United States Design Patent** (10) **Patent No.:** **US D810,793 S**
Price et al. (45) **Date of Patent:** **** *Feb. 20, 2018**

(54) **REFRIGERATOR CABINET**

- (71) Applicant: **Mortarless Technologies LLC**,
Rochester, MN (US)
- (72) Inventors: **Brian A. Price**, Rochester, MN (US);
Drew Wohlfiel, Mantorville, MN (US)
- (73) Assignee: **Mortarless Technologies LLC**,
Rochester, MN (US)
- (*) Notice: This patent is subject to a terminal disclaimer.

(**) Term: **15 Years**

(21) Appl. No.: **29/552,846**

(22) Filed: **Jan. 26, 2016**

(51) **LOC (11) Cl.** **15-07**

(52) **U.S. Cl.**
USPC **D15/81**

(58) **Field of Classification Search**
 USPC D15/79-91; D9/414, 418, 430, 432, 499;
 D6/671, 677, 687, 690, 691.1, 691.2,
 D6/691.3, 691.4, 691.5, 689; D23/343,
 D23/345, 35, 404, 409, 406
 CPC .. F25D 23/028; F25D 23/04; F25D 2323/021;
 F25D 23/00; F25D 23/02; F25D 23/062;
 F25D 23/087; F25D 23/126; F25D 11/00;
 F25D 11/02; F25D 13/06; F25D 2201/10;
 F25D 2201/12; F25D 2300/00;

(Continued)

(56) **References Cited**

U.S. PATENT DOCUMENTS

- D304,396 S * 11/1989 Pitchersky D6/688.27
- 6,286,269 B1 * 9/2001 Marcum A01M 31/02
135/901

(Continued)

OTHER PUBLICATIONS

AB Courtyard Collection, "Build a Free-Standing Bar," How-to
sheet #330, copyright 2007, 2 pages.
(Continued)

Primary Examiner — Ian Simmons
Assistant Examiner — Khawaja Anwar
 (74) *Attorney, Agent, or Firm* — Fish & Richardson P.C.

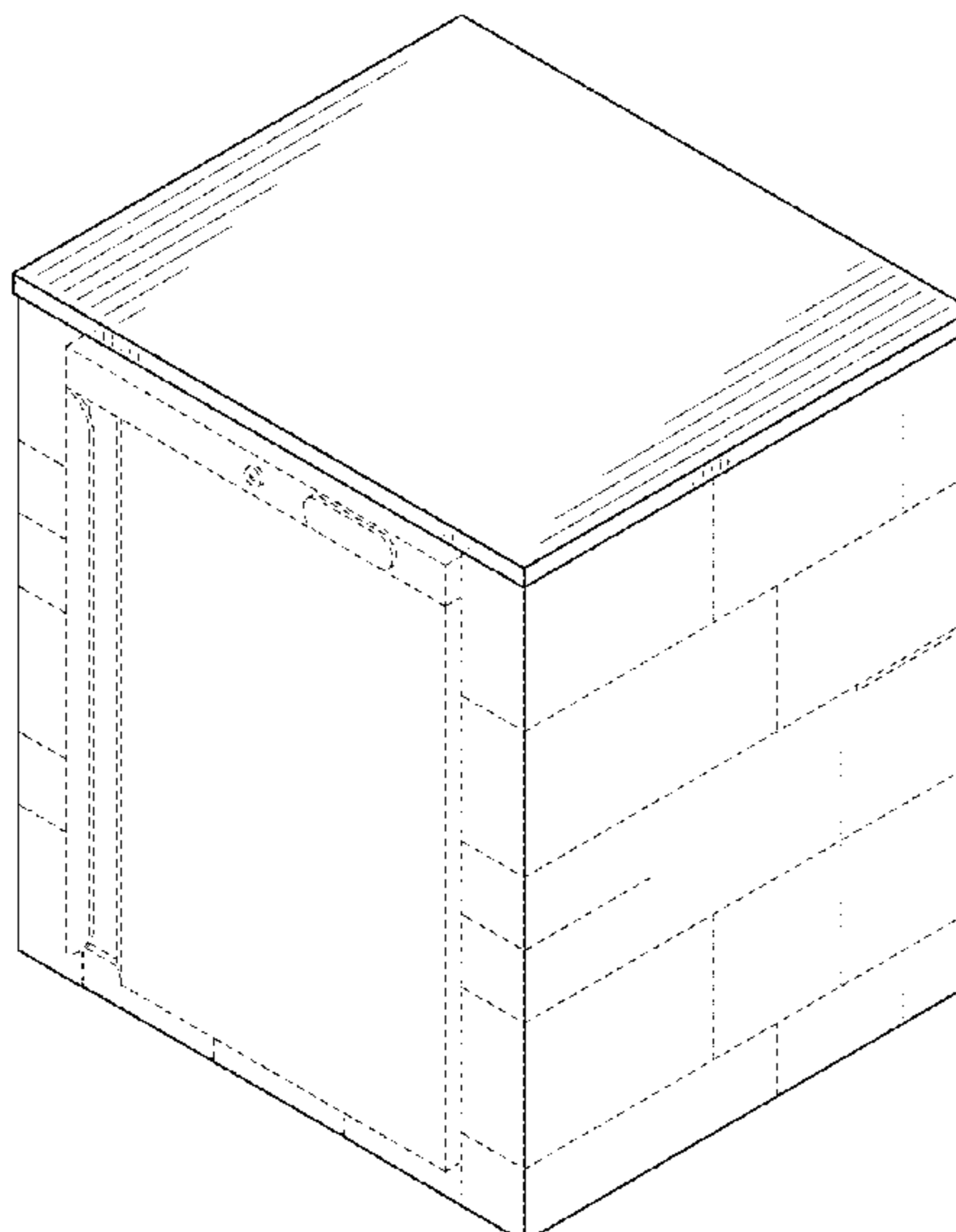
(57) **CLAIM**

The ornamental design for a refrigerator cabinet, as shown and described.

DESCRIPTION

FIG. 1 is a perspective view of a refrigerator cabinet according to a first embodiment.
 FIG. 2 is a front view of the refrigerator cabinet of FIG. 1.
 FIG. 3 is a back view of the refrigerator cabinet of FIG. 1.
 FIG. 4 is a left side view of the refrigerator cabinet of FIG. 1.
 FIG. 5 is a right side view of the refrigerator cabinet of FIG. 1.
 FIG. 6 is a top view of the refrigerator cabinet of FIG. 1.
 FIG. 7 is a bottom view of the refrigerator cabinet of FIG. 1.
 FIG. 8 is a back view of a refrigerator cabinet having an opening in a back side according to a second embodiment, the front, left, right, top and bottom views identical to the first embodiment.
 FIG. 9 is a perspective view of the refrigerator cabinet of FIG. 8.
 FIG. 10 is an illustration of the refrigerator cabinet of FIG. 1 as part of an exemplary outdoor kitchen; and,
 FIG. 11 is an illustration of the refrigerator cabinet of FIG. 1 as part of an exemplary outdoor kitchen.
 The broken lines, when present, are for the purpose of illustrating (a) possible concrete block arrangements or (b) the environment of the refrigerator cabinet, and form no part of the claimed design.

1 Claim, 8 Drawing Sheets



(58) **Field of Classification Search**

CPC ... F25D 2303/08222; F25D 2303/0843; F25D 2303/085; F25D 2323/024; F25D 2323/122; F25D 23/025; F25D 23/065; F25D 23/067; F25D 23/12; F25D 2400/02; F25D 2400/04; F25D 2400/08; F25D 2400/361; F25D 2500/06; F25D 25/005; F25D 25/02; F25D 25/022; F25D 25/025; F25D 25/04; F25D 2600/00; F25D 2700/02; F25D 2700/06; F25D 27/00; F25D 29/00

See application file for complete search history.

(56) **References Cited**

U.S. PATENT DOCUMENTS

D513,796 S *	1/2006	Borowski	D23/343
D647,332 S *	10/2011	Pederson	D6/699
D647,334 S *	10/2011	Ernst	D6/691.4
D655,613 S *	3/2012	De Baschmakoff	D9/432
D655,614 S *	3/2012	De Baschmakoff	D9/432
D696,759 S *	12/2013	Ernst	D23/345
D701,117 S *	3/2014	Tognetti	D9/432
D706,066 S *	6/2014	Ernst	D6/699
D726,858 S *	4/2015	McInerney	D21/838
D749,944 S *	2/2016	Kummerfeldt	D9/432
D762,123 S *	7/2016	de Baschmakoff	D9/418
D769,032 S *	10/2016	Burden	D6/671
D785,990 S *	5/2017	Price	D23/345
D785,991 S *	5/2017	Price	D6/698
D785,992 S *	5/2017	Price	D6/699.2
D785,993 S *	5/2017	Price	D6/699.2

OTHER PUBLICATIONS

AB Courtyard Collection, "Build an Outdoor Kitchen," How-to sheet #340, copyright 2008, 2 pages.
 AB Courtyard Collection, "Building a BBQ Grilling Station," How-to sheet #290, copyright 2003-2005, 2 pages.
 AB Courtyard Collection, "Building an Outdoor Kitchen," How-to-sheet #341, copyright 2009, 5 pages.
 Allan Block, Top 12 Outdoor Weekend Project Ideas, retrieved from the Internet: <URL: <http://www.allanblock.com/projects/weekend-projects.aspx>>, 2 pages, archived on Dec. 11, 2013.
 Anchor Block Products, "Outdoor Living Kits," retrieved from the Internet <URL: <http://anchorblock.com/products/Fire-pits-and-fire-places/default.aspx>>, 15 pages, archived Oct. 16, 2015.
 Anchor, "2015 Landscape Collection," copyright 2015, 60 pages.
 Anchor, "Do-It-Yourself Landscape Ideas," Jan. 2014, 20 pages.
 Anchor, "Easy Weekend Project Ideas," 2015, 24 pages.

Keystone Hardscapes, Country Manor 2-pc Grill Station Kit, 2013, 14 pages.
 Keystone Hardscapes, Country Manor 2-pc Kitchen Linear Kit, 2015, 18 pages.
 Keystone Hardscapes, Country Manor 3-pc Grill Station1 Kit, 2015, 18 pages.
 Keystone Hardscapes, Country Manor 3-pc Grill Station2 Kit, 2012, 6 pages.
 Keystone Hardscapes, Country Manor 3-pc Kitchen Linear Kit, 2015, 18 pages.
 Keystone Hardscapes, Country Manor 3-pc Kitchen L-shape Kit, 2015, 16 pages.
 Versa-Lok, Residential Idea Book, retrieved from the Internet: <URL: <http://www.versa-lok.com/idea-book/residential>>, 14 pages, archived Oct. 12, 2015.
 Willow Creek Landscape Kits for Outdoor Living, retrieved from the Internet: <URL: <http://www.willowcreekpavingstones.com/willow-creek-outdoor-kits>>, 5 pages, archived Feb. 22, 2015.
 WillowCreek, "Ledgestone Bar and Grill Kit," retrieved from the Internet: <URL: <http://www.willowcreekpavingstones.com/sites/default/files/docs/pdf/BarGri112013Print.pdf>>, 2013, 1 page.
 WillowCreek, "Ledgestone Grill Kit," retrieved from the Internet: <<https://www.patiotown.com/sites/default/files/files/Grill%20Kits%202013.pdf>>, 2013, 1 page.
 WillowCreek, "Outdoor Fireplace Kit," 2012, 1 page.
 U.S. Appl. No. 29/552,756, filed Jan. 26, 2016, Price et al.
 U.S. Appl. No. 29/552,752, filed Jan. 26, 2016, Price et al.
 U.S. Appl. No. 29/552,769, filed Jan. 26, 2016, Price et al.
 U.S. Appl. No. 29/552,760, filed Jan. 26, 2016, Price et al.
 U.S. Appl. No. 29/552,784, filed Jan. 26, 2016, Price et al.
 U.S. Appl. No. 29/552,763, filed Jan. 26, 2016, Price et al.
 U.S. Appl. No. 29/552,766, filed Jan. 26, 2016, Price et al.
 U.S. Appl. No. 29/552,778, filed Jan. 26, 2016, Price et al.
 U.S. Appl. No. 29/552,773, filed Jan. 26, 2016, Price et al.
 U.S. Appl. No. 29/552,786, filed Jan. 26, 2016, Price et al.
 U.S. Appl. No. 29/552,776, filed Jan. 26, 2016, Price et al.
 U.S. Appl. No. 29/552,782, filed Jan. 26, 2016, Price et al.
 U.S. Appl. No. 29/552,780, filed Jan. 26, 2016, Price et al.
 U.S. Appl. No. 29/552,789, filed Jan. 26, 2016, Price et al.
 U.S. Appl. No. 29/552,794, filed Jan. 26, 2016, Price et al.
 U.S. Appl. No. 29/552,795, filed Jan. 26, 2016, Price et al.
 U.S. Appl. No. 29/552,805, filed Jan. 26, 2016, Price et al.
 U.S. Appl. No. 29/552,809, filed Jan. 26, 2016, Price et al.
 U.S. Appl. No. 29/552,802, filed Jan. 26, 2016, Price et al.
 U.S. Appl. No. 29/552,817, filed Jan. 26, 2016, Price et al.
 U.S. Appl. No. 29/552,806, filed Jan. 26, 2016, Price et al.
 U.S. Appl. No. 29/552,813, filed Jan. 26, 2016, Price et al.
 U.S. Appl. No. 29/552,845, filed Jan. 26, 2016, Price et al.
 U.S. Appl. No. 29/552,853, filed Jan. 26, 2016, Price et al.
 U.S. Appl. No. 29/552,858, filed Jan. 26, 2016, Price et al.
 U.S. Appl. No. 29/552,849, filed Jan. 26, 2016, Price et al.

* cited by examiner

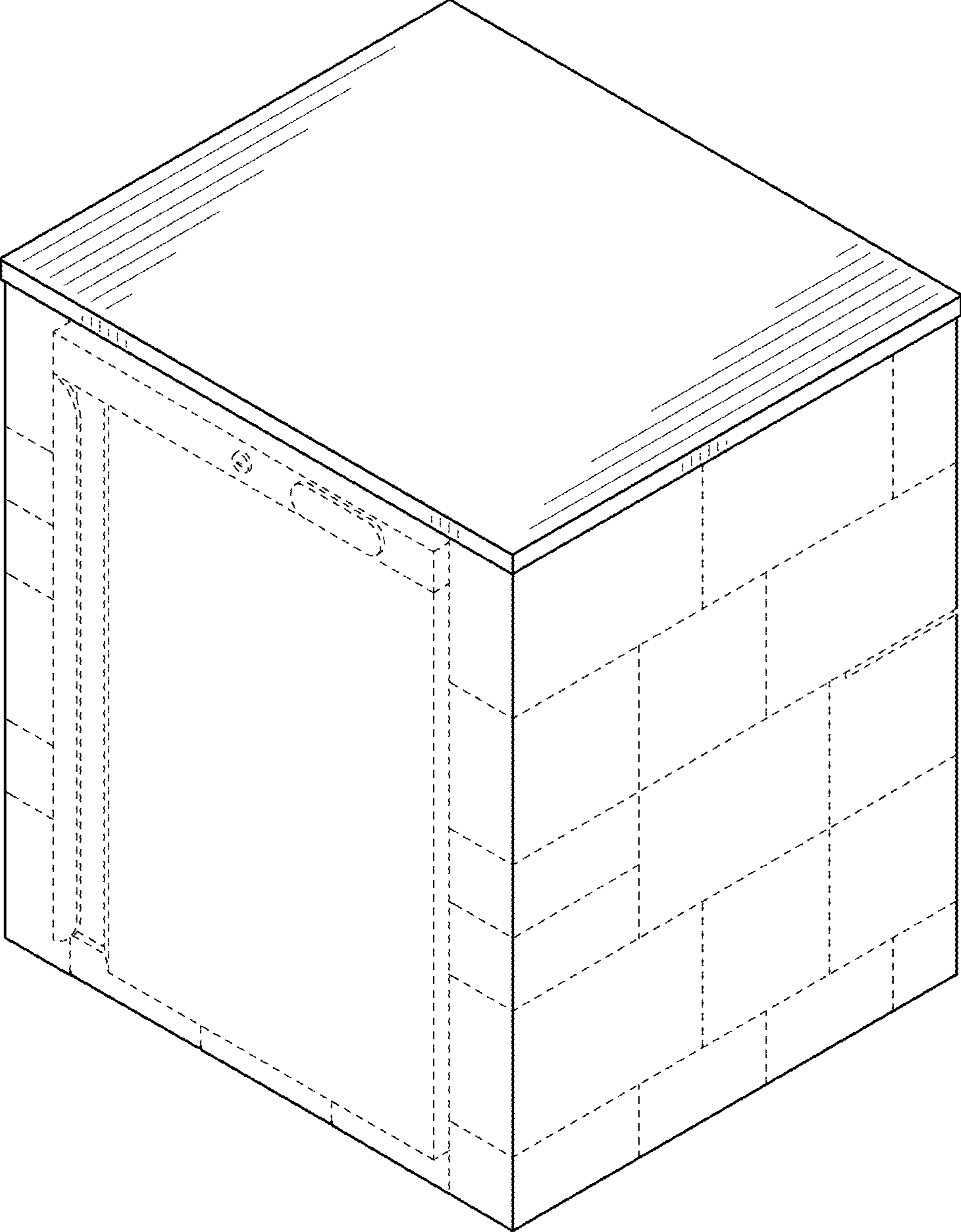


FIG. 1

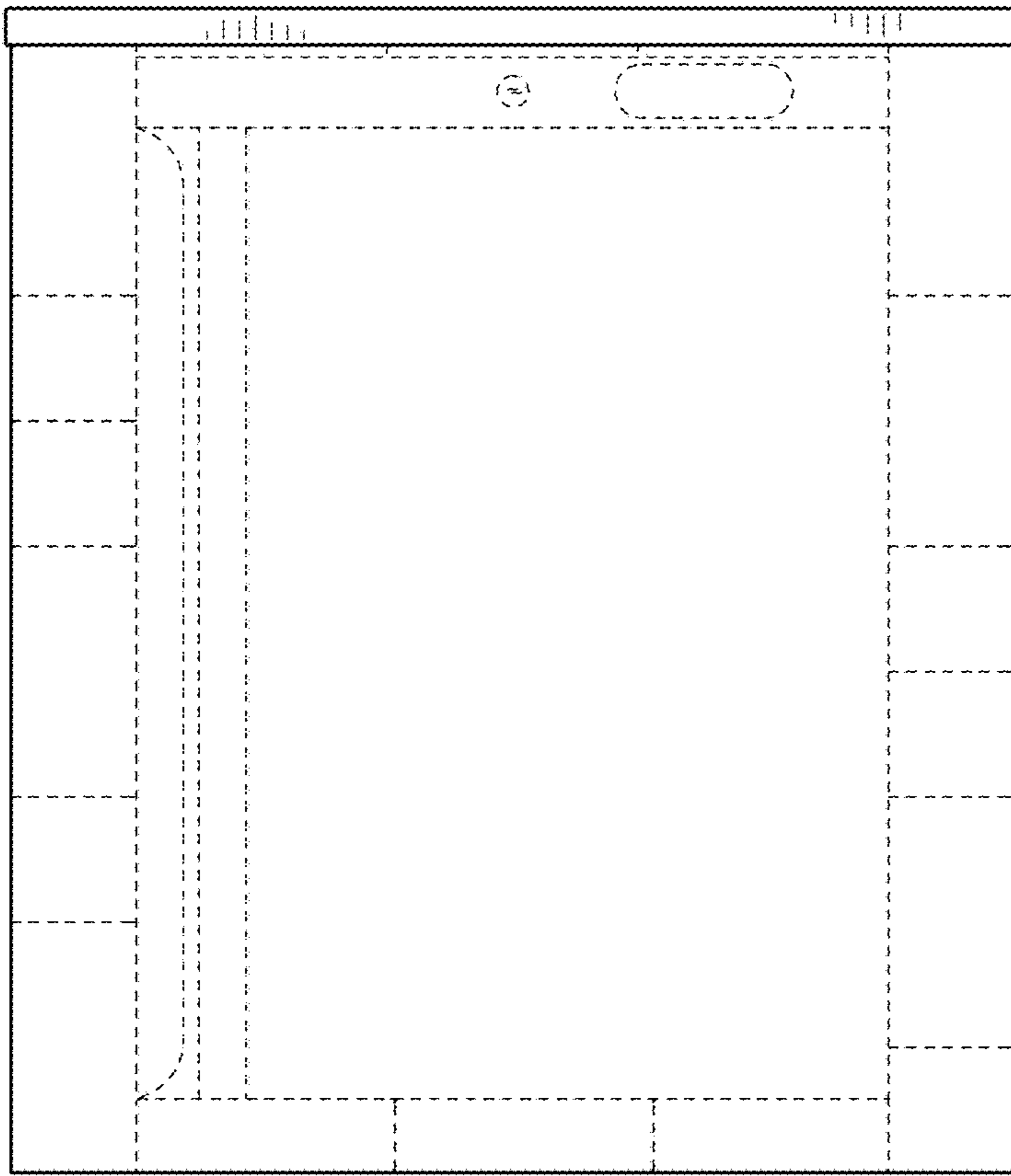


FIG. 2

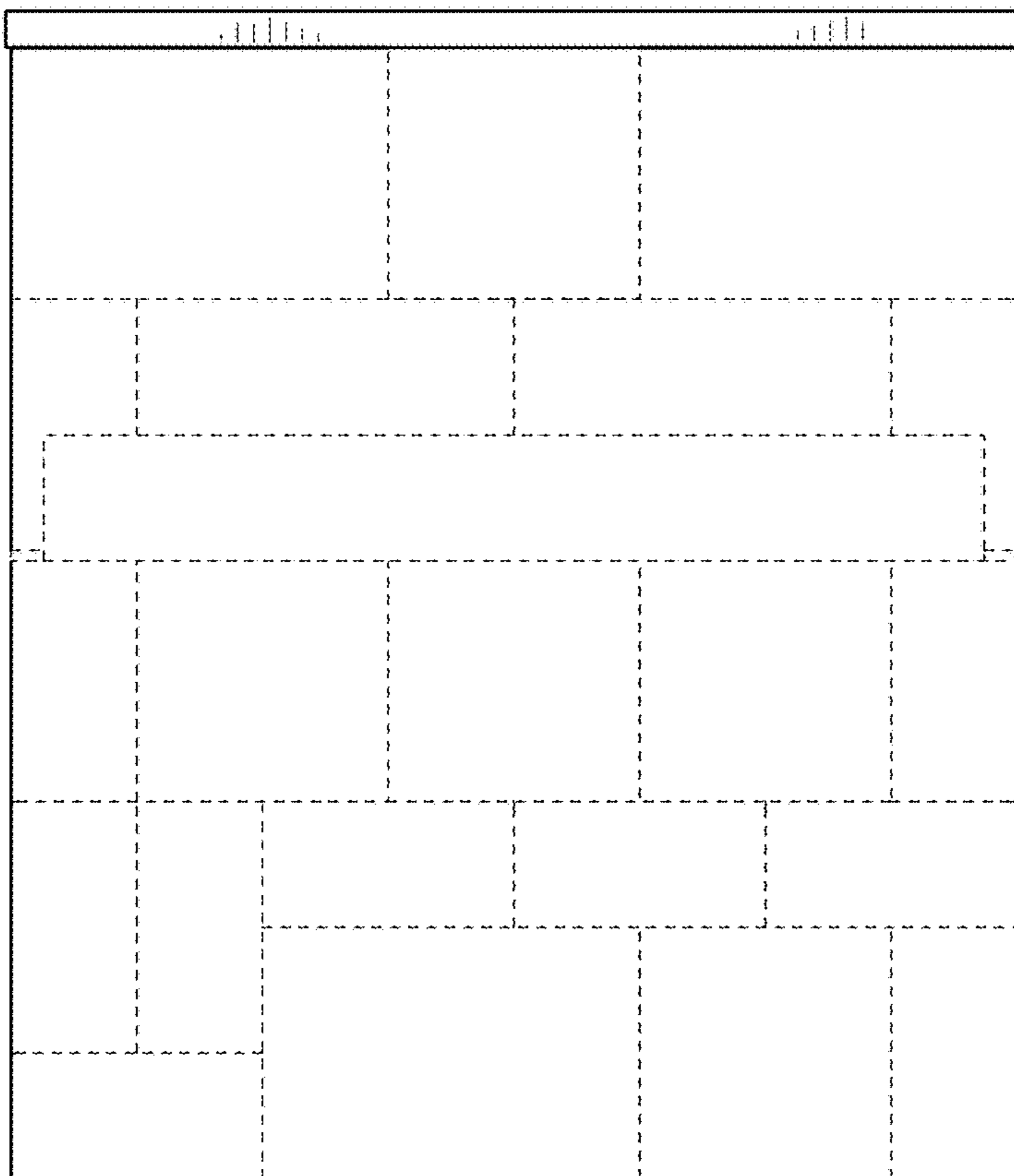


FIG. 3

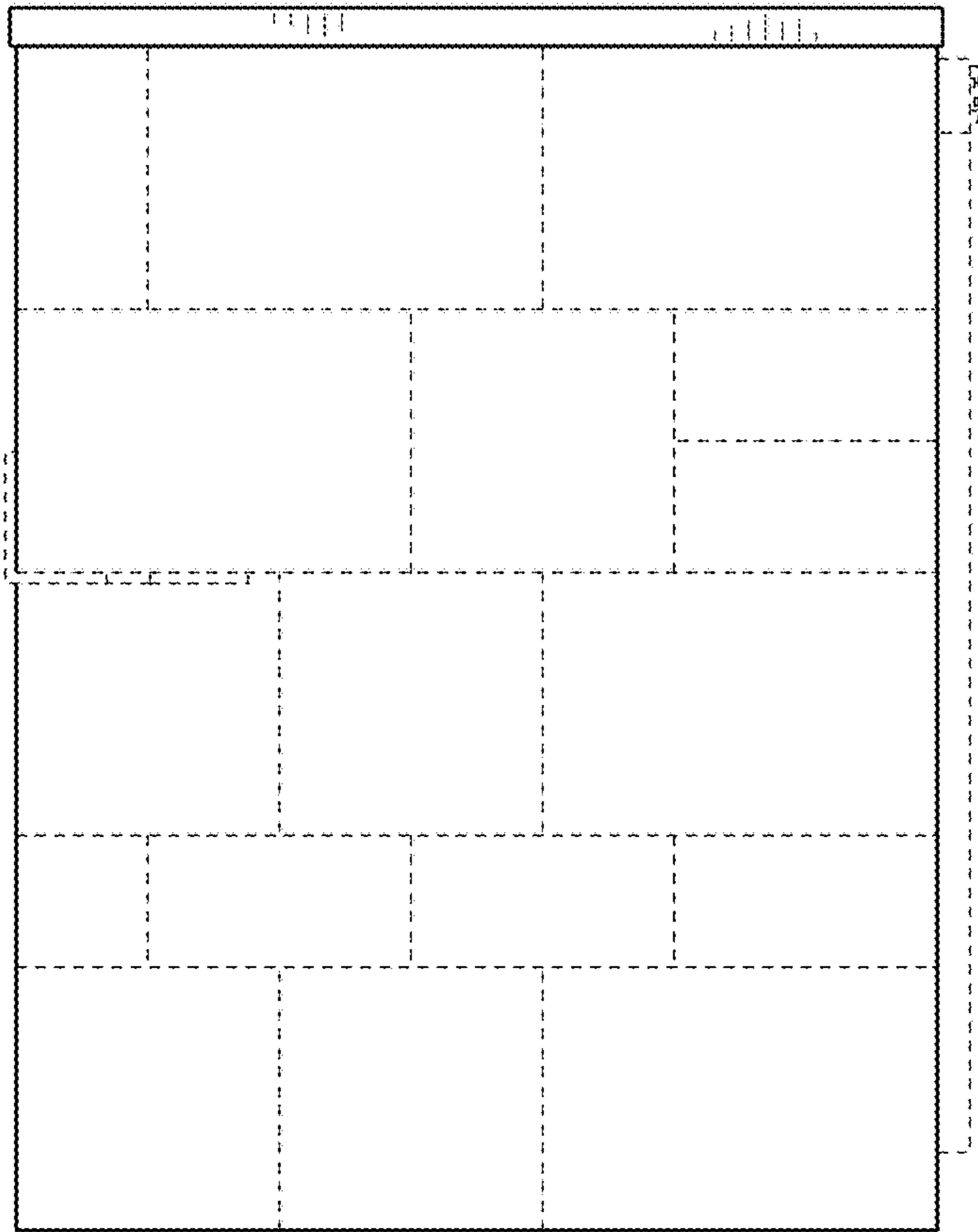


FIG. 4

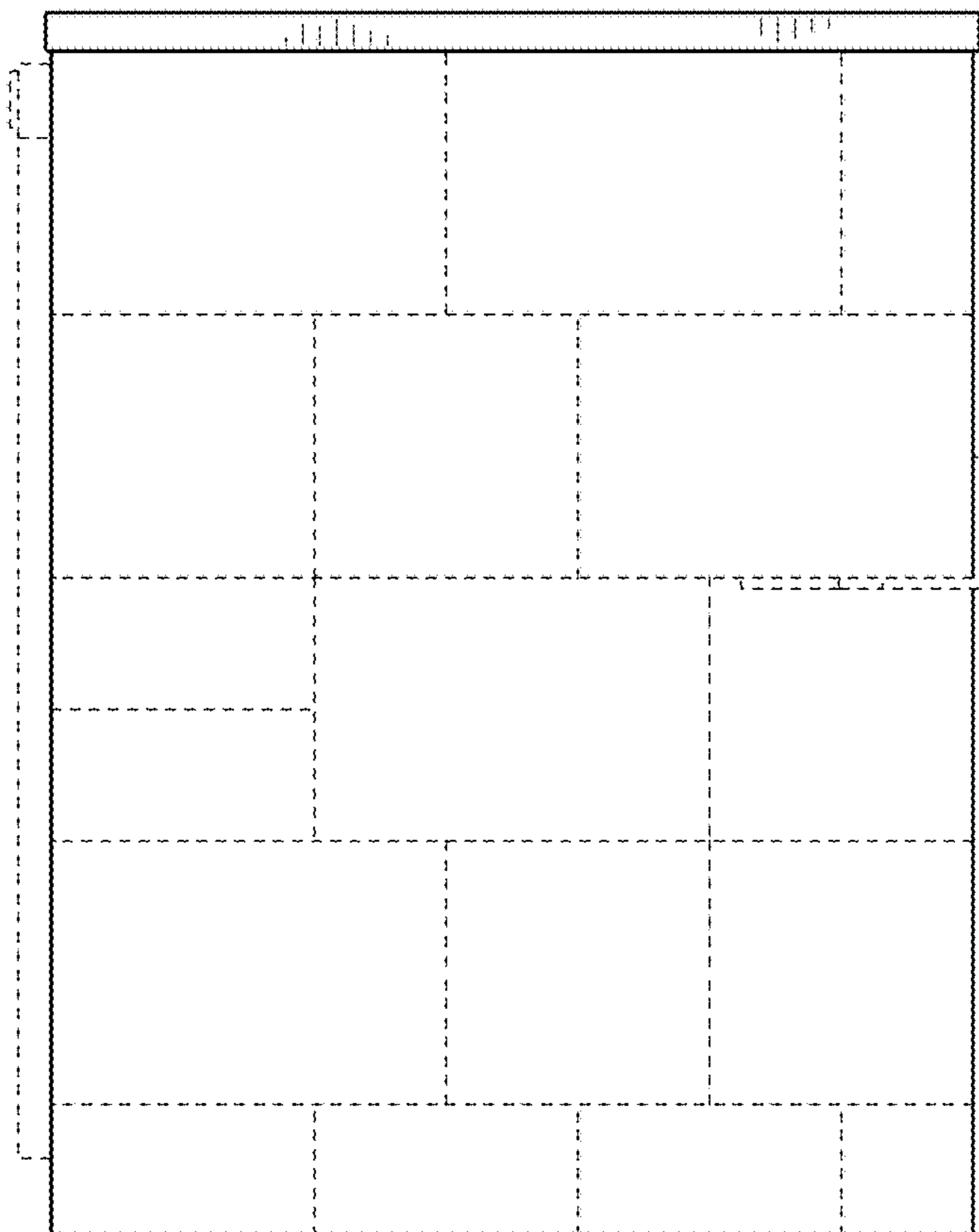


FIG. 5

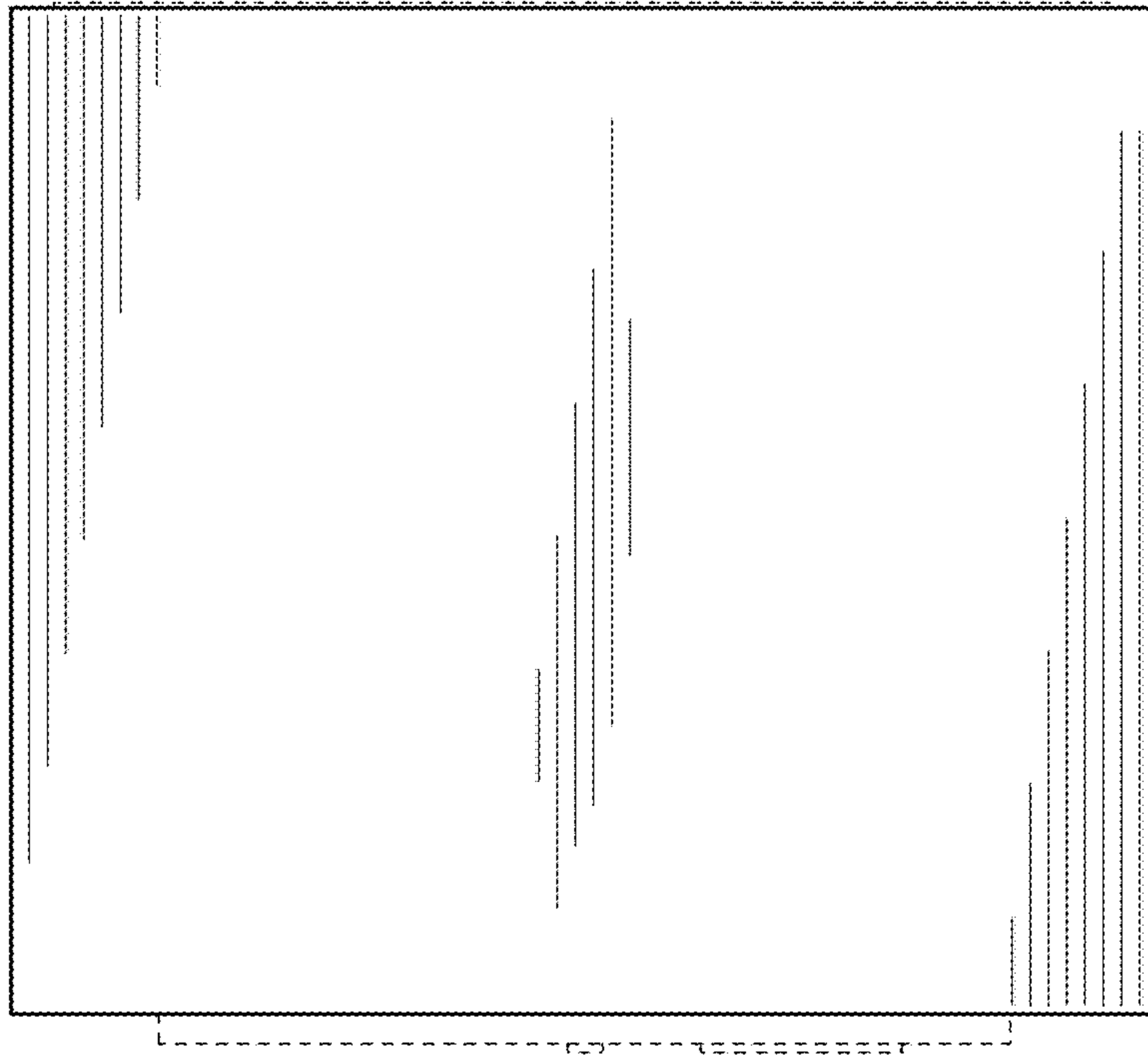


FIG. 6

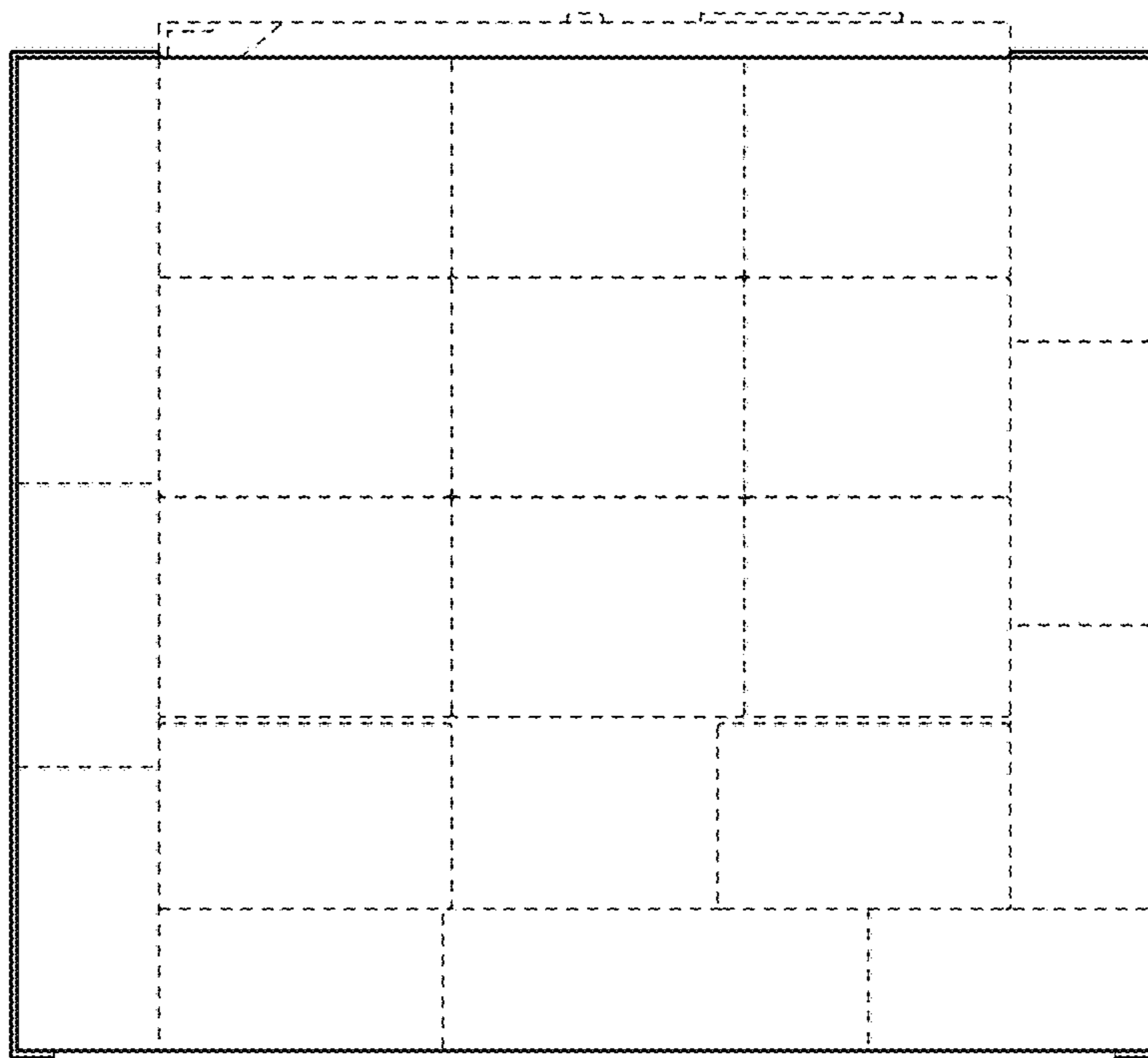


FIG. 7

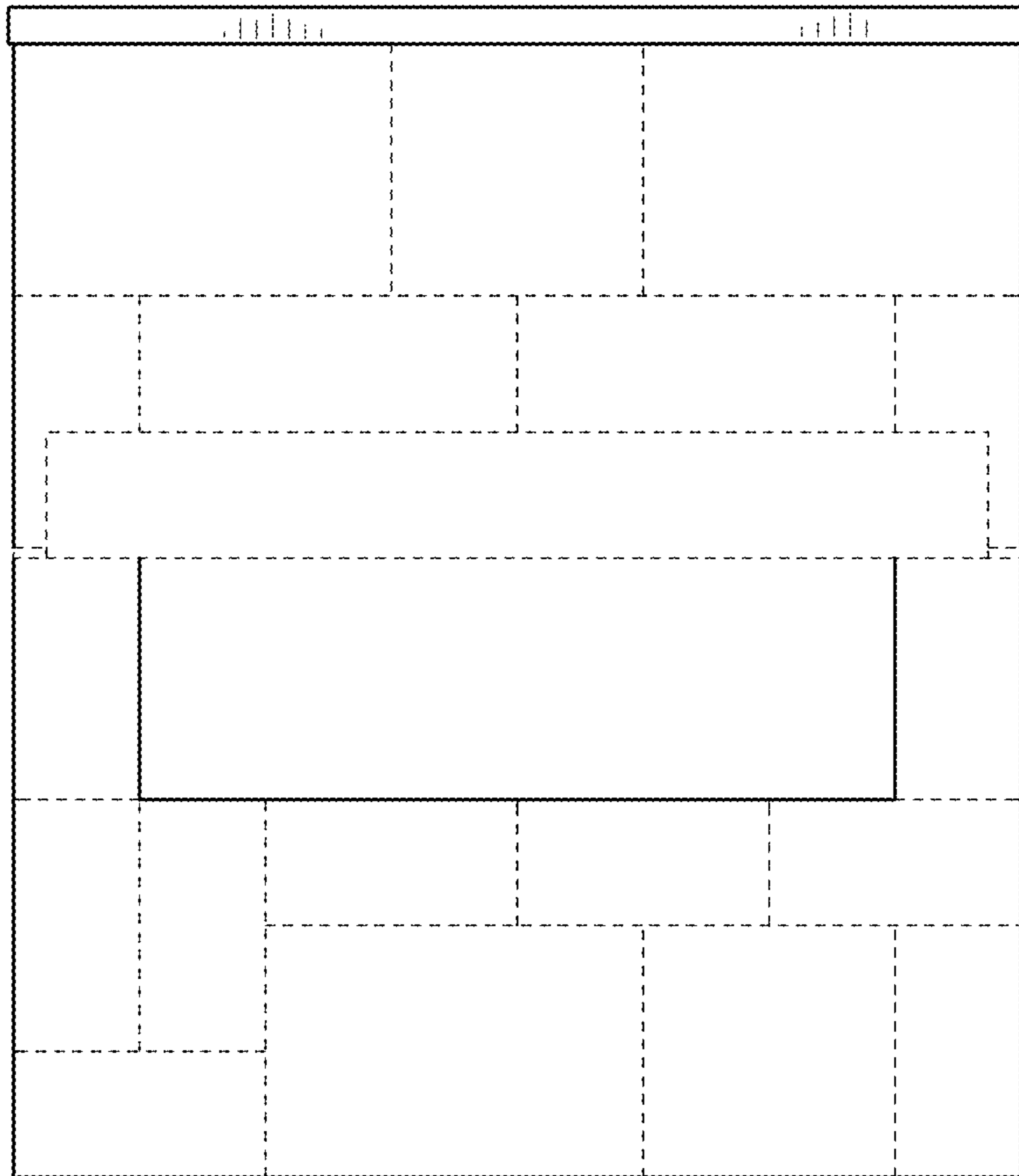


FIG. 8

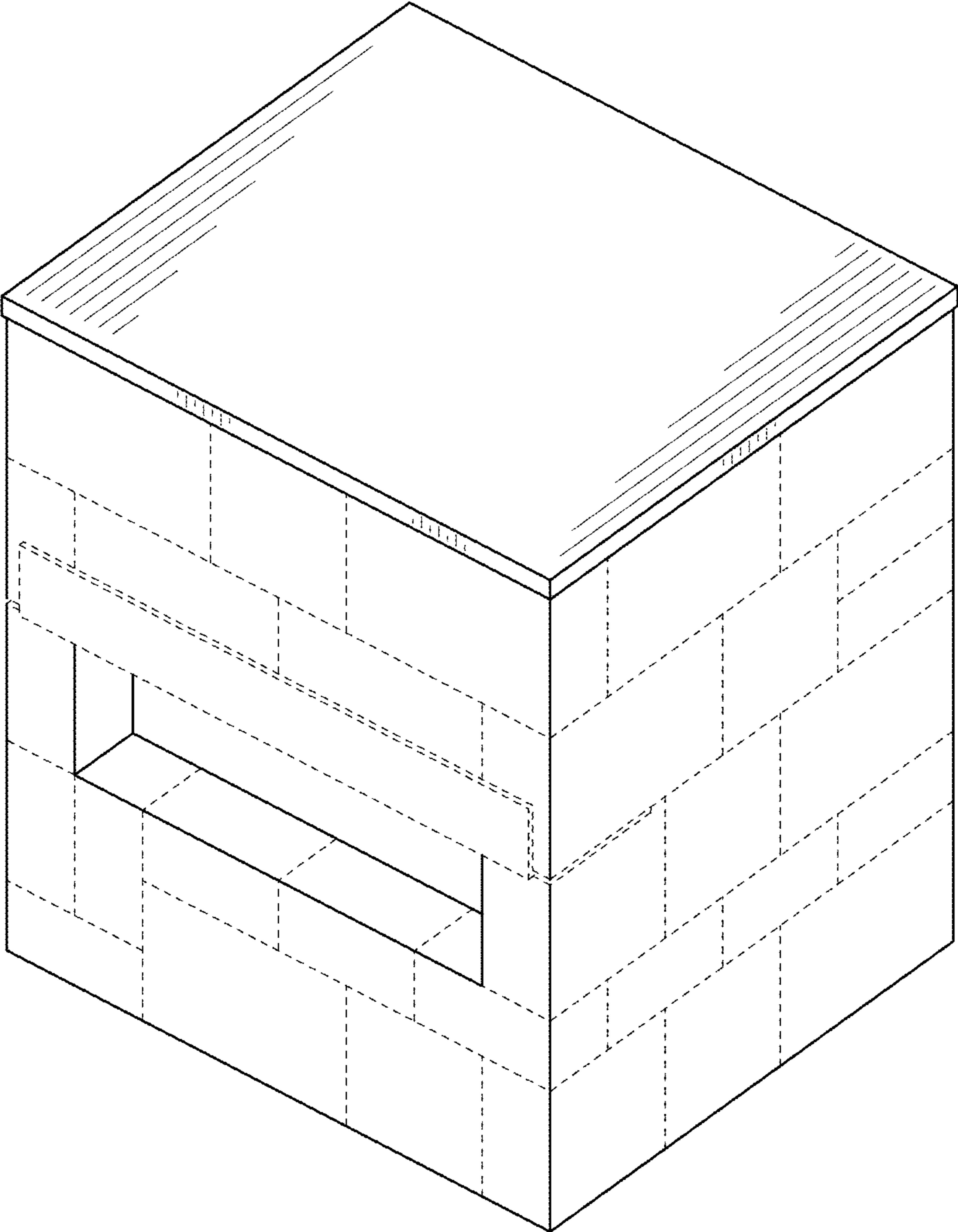


FIG. 9

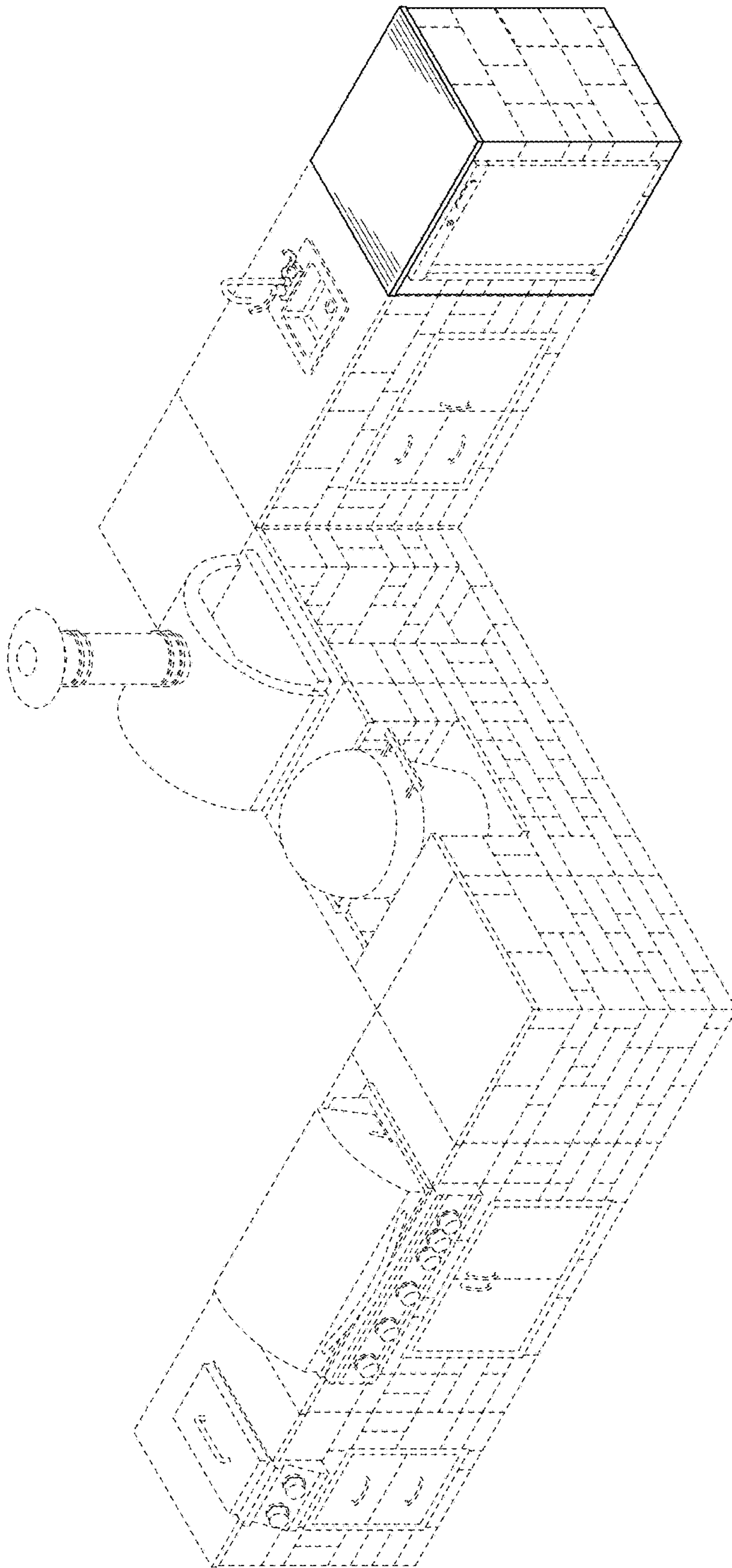


FIG. 10

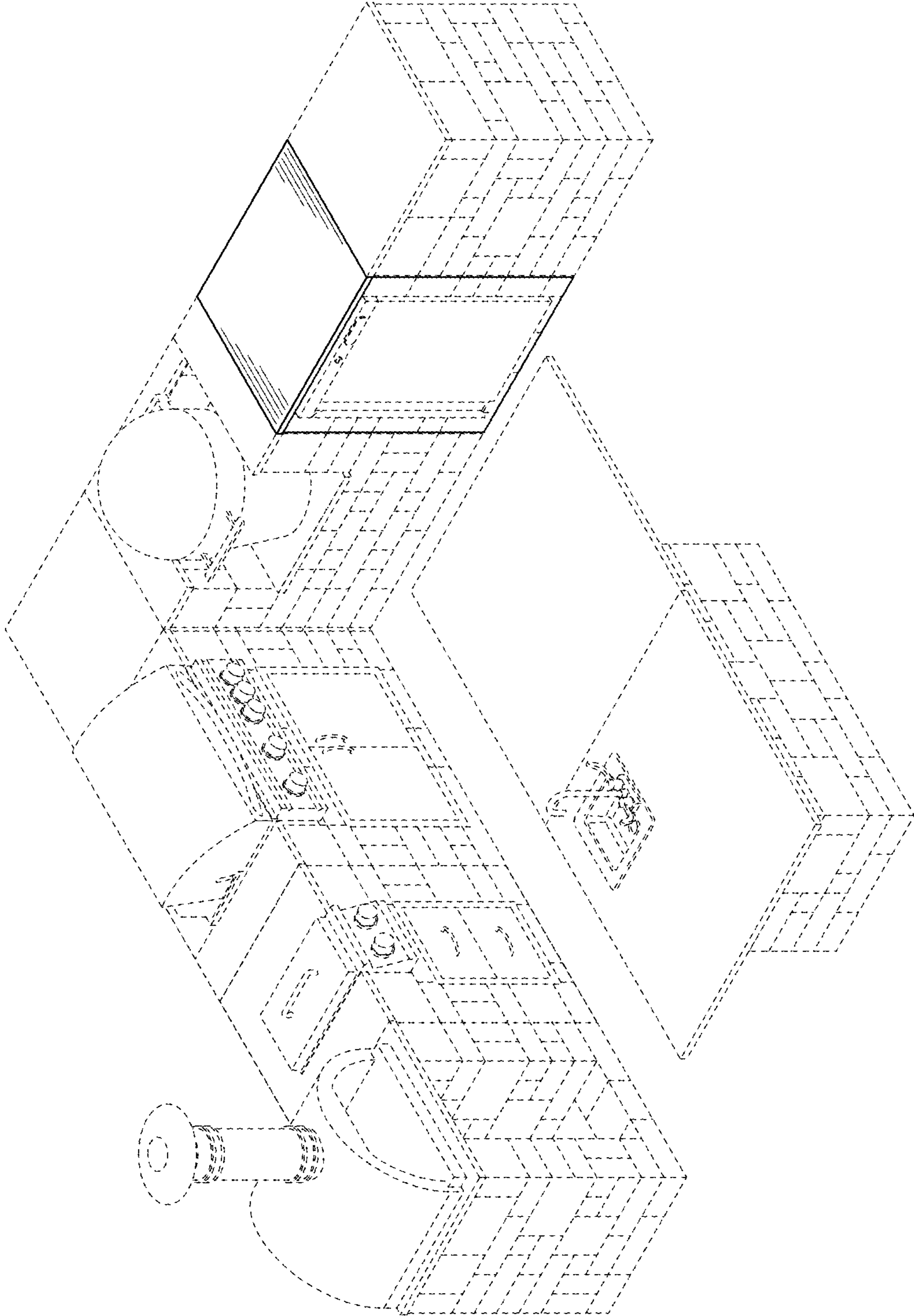


FIG. 11