



US00D810790S

(12) **United States Design Patent** (10) **Patent No.:** **US D810,790 S**
Nozaki et al. (45) **Date of Patent:** **** Feb. 20, 2018**

(54) **LIQUID FEEDER EQUIPMENT**
(71) Applicant: **WELCO CO., LTD.**, Tokyo (JP)
(72) Inventors: **Takeshi Nozaki**, Fuchu (JP); **Atsushi Tokumura**, Yokohama (JP); **Takeshi Ikuhara**, Yokohama (JP); **Souichi Yamamoto**, Yokohama (JP)
(73) Assignee: **WELCO CO., LTD.**, Tokyo (JP)
(**) Term: **15 Years**

(21) Appl. No.: **35/500,770**
(22) Filed: **Oct. 1, 2015**

(80) **Hague Agreement Data**
Int. Filing Date: **Oct. 1, 2015**
Int. Reg. No.: **DM/088404**
Int. Reg. Date: **Oct. 1, 2015**
Int. Reg. Pub. Date: **Apr. 1, 2016**

(30) **Foreign Application Priority Data**
Jul. 1, 2015 (JP) 2015-014598
(51) **LOC (11) Cl.** **15-02**
(52) **U.S. Cl.**
USPC **D15/7**
CPC **F02M 37/04 (2013.01)**
(58) **Field of Classification Search**
USPC D15/7-9; D23/231, 232; 417/60, 235, 417/321, 355-359, 410.1, 415-416, 405, 417/900, 265; 60/408, 412; 415/140-147; 184/26-37; 123/495, 509
CPC F02M 37/04; F02M 37/14
See application file for complete search history.

(56) **References Cited**
U.S. PATENT DOCUMENTS
D499,113 S * 11/2004 Murayama D15/7
D655,314 S * 3/2012 Yoshimura D15/9

D677,281 S * 3/2013 Muller D15/7
D683,767 S * 6/2013 Yoshimura D15/5
D690,741 S * 10/2013 Gonzales D15/28
D699,264 S * 2/2014 Sofussen D15/7
D721,739 S * 1/2015 Ono D15/7
D729,847 S * 5/2015 Ono D15/7

* cited by examiner

Primary Examiner — Richard E Chilcot
(74) *Attorney, Agent, or Firm* — Oliff PLC

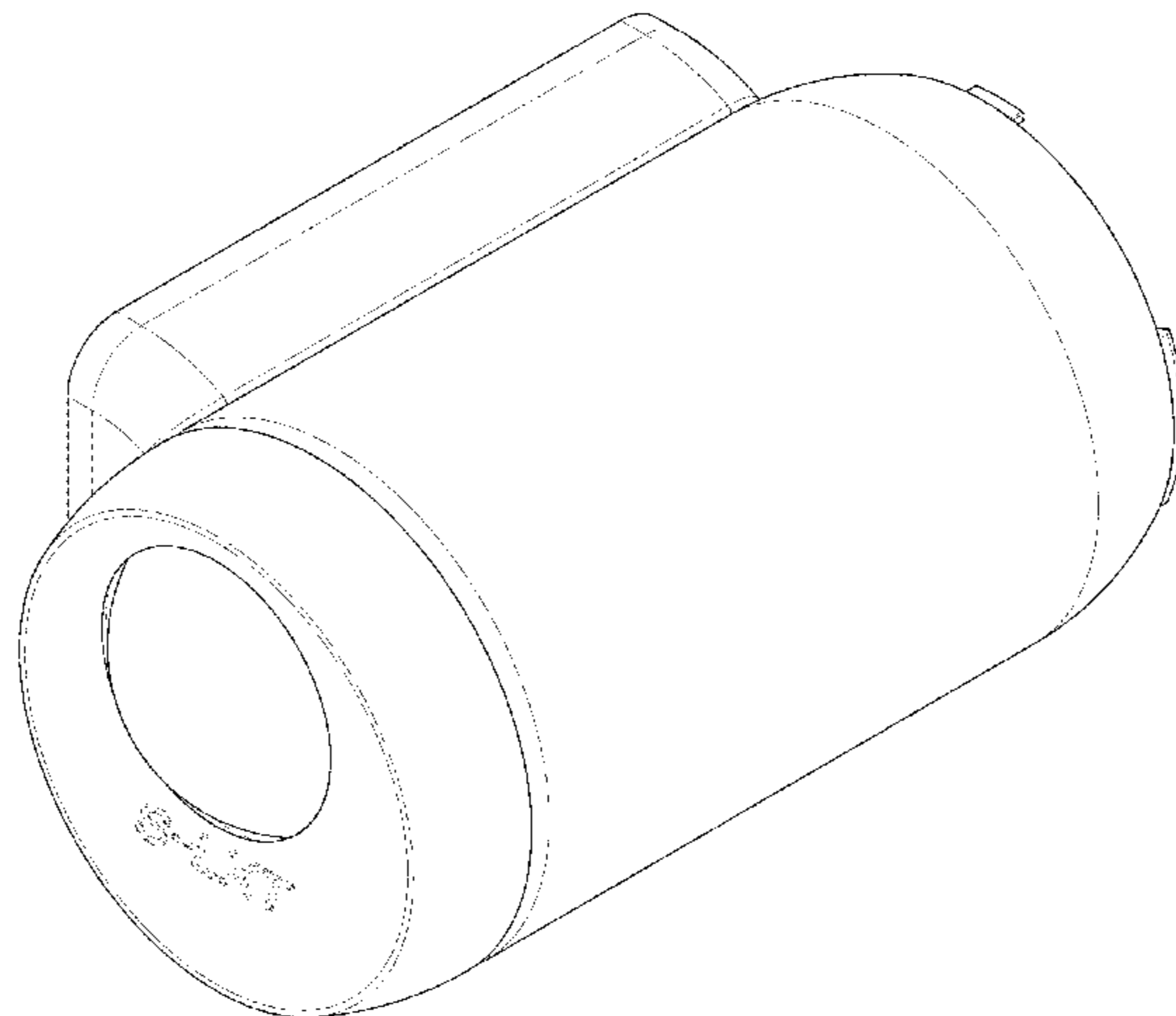
(57) **CLAIM**

The ornamental design for a liquid feeder equipment, as shown and described.

DESCRIPTION

Fig. 1.1 is a perspective view of a liquid feeder equipment; Fig. 1.2 is a front view thereof; Fig. 1.3 is a rear view thereof; Fig. 1.4 is a top view thereof; Fig. 1.5 is a bottom view thereof; Fig. 1.6 is a right-side view thereof; Fig. 1.7 is a left-side view thereof; Fig. 1.8 is an additional front view showing a changed status of the liquid feeder equipment; Fig. 1.9 is an additional front view showing another changed status of the liquid feeder equipment; Fig. 1.10 is an additional front view showing another changed status of the liquid feeder equipment; Fig. 1.11 is a cross-sectional view taken along 1.11-1.11 in Fig. 2; Fig. 1.12 is a colored front view thereof; and Fig. 1.13 is a colored perspective view thereof. The broken lines depict unclaimed portions of the liquid feeder equipment and form no part of the claimed design. Figs. 1.12 and 1.13 are lined for color.

1 Claim, 13 Drawing Sheets



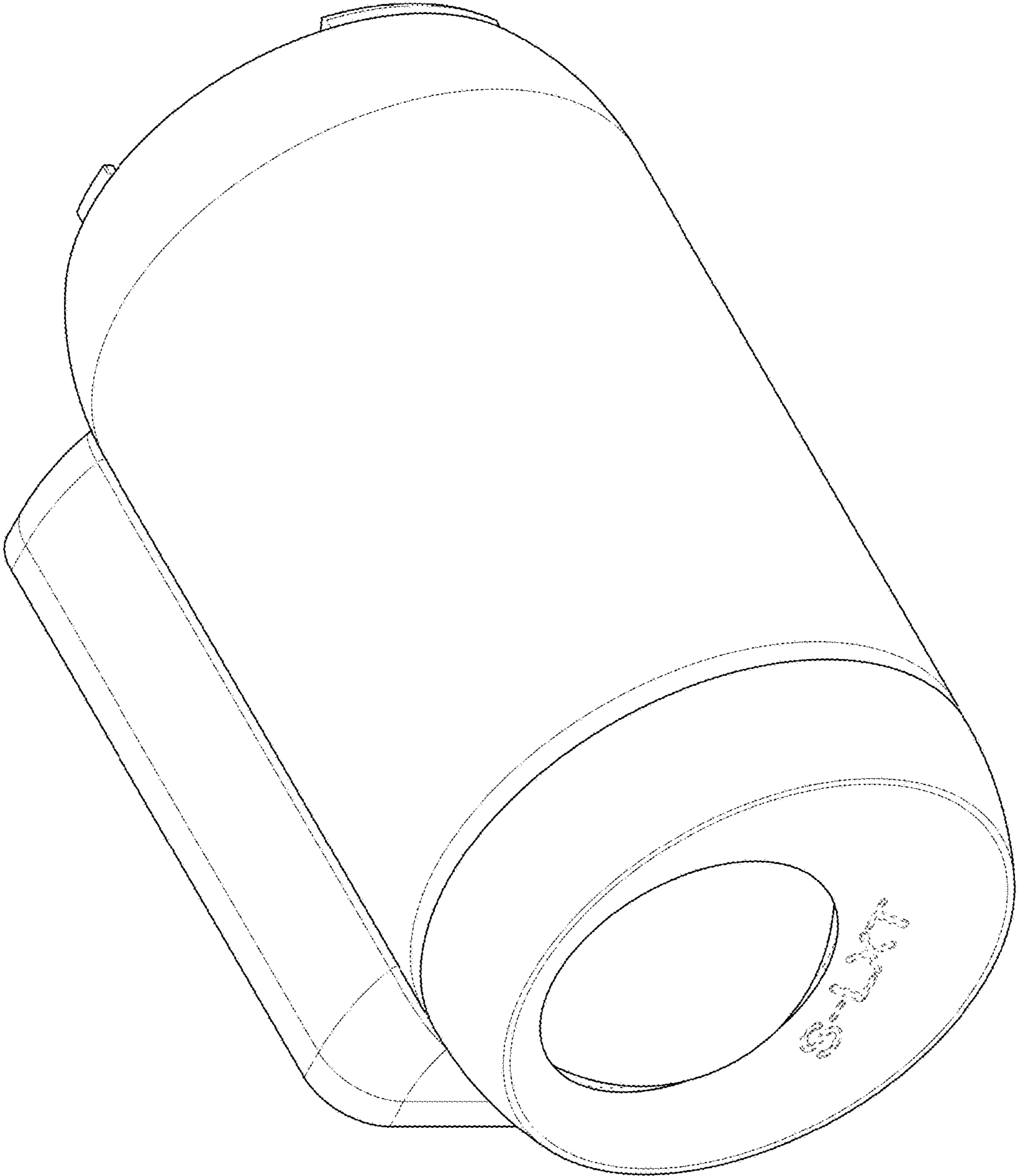


FIG. 1.1

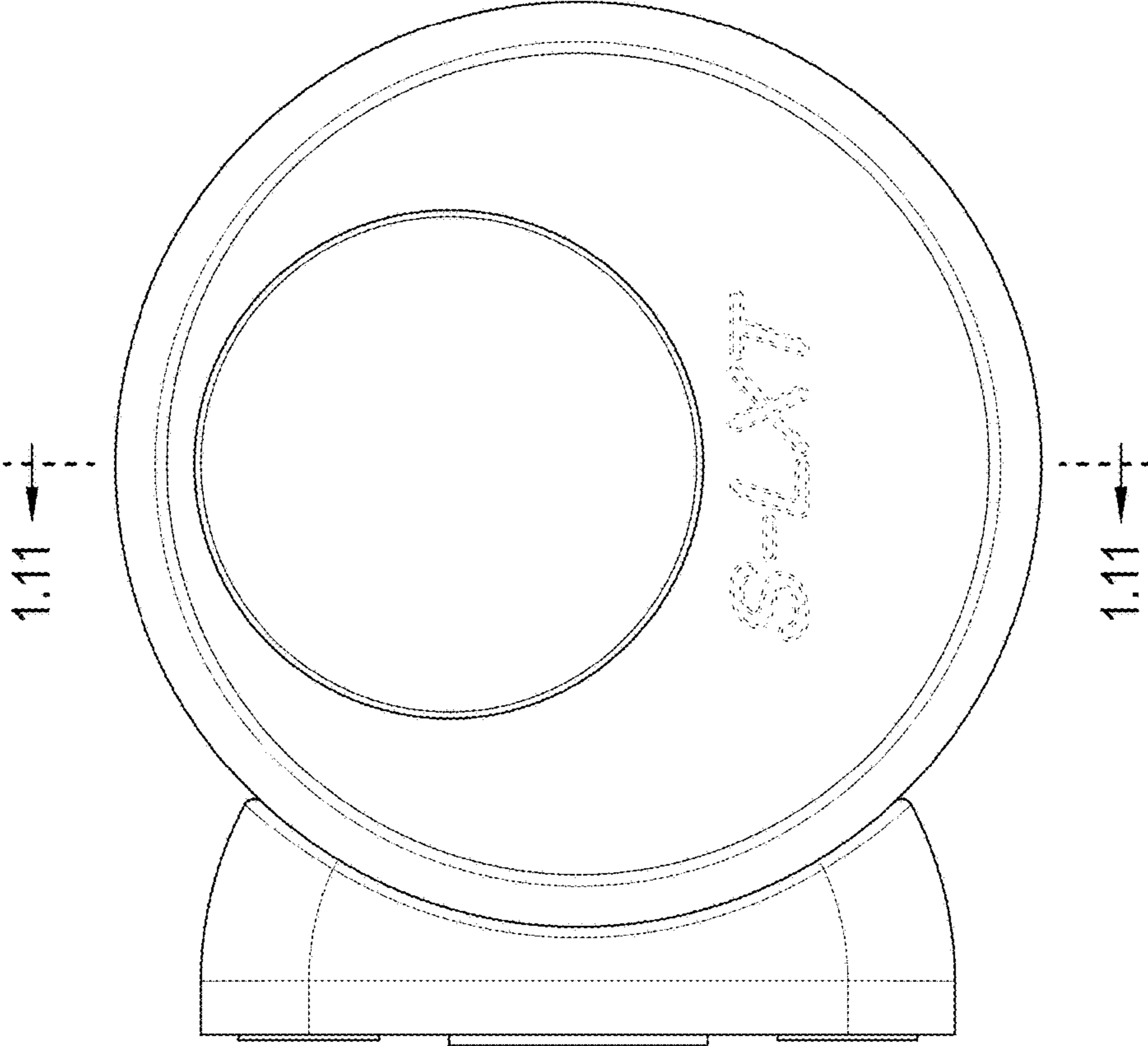


FIG. 1.2

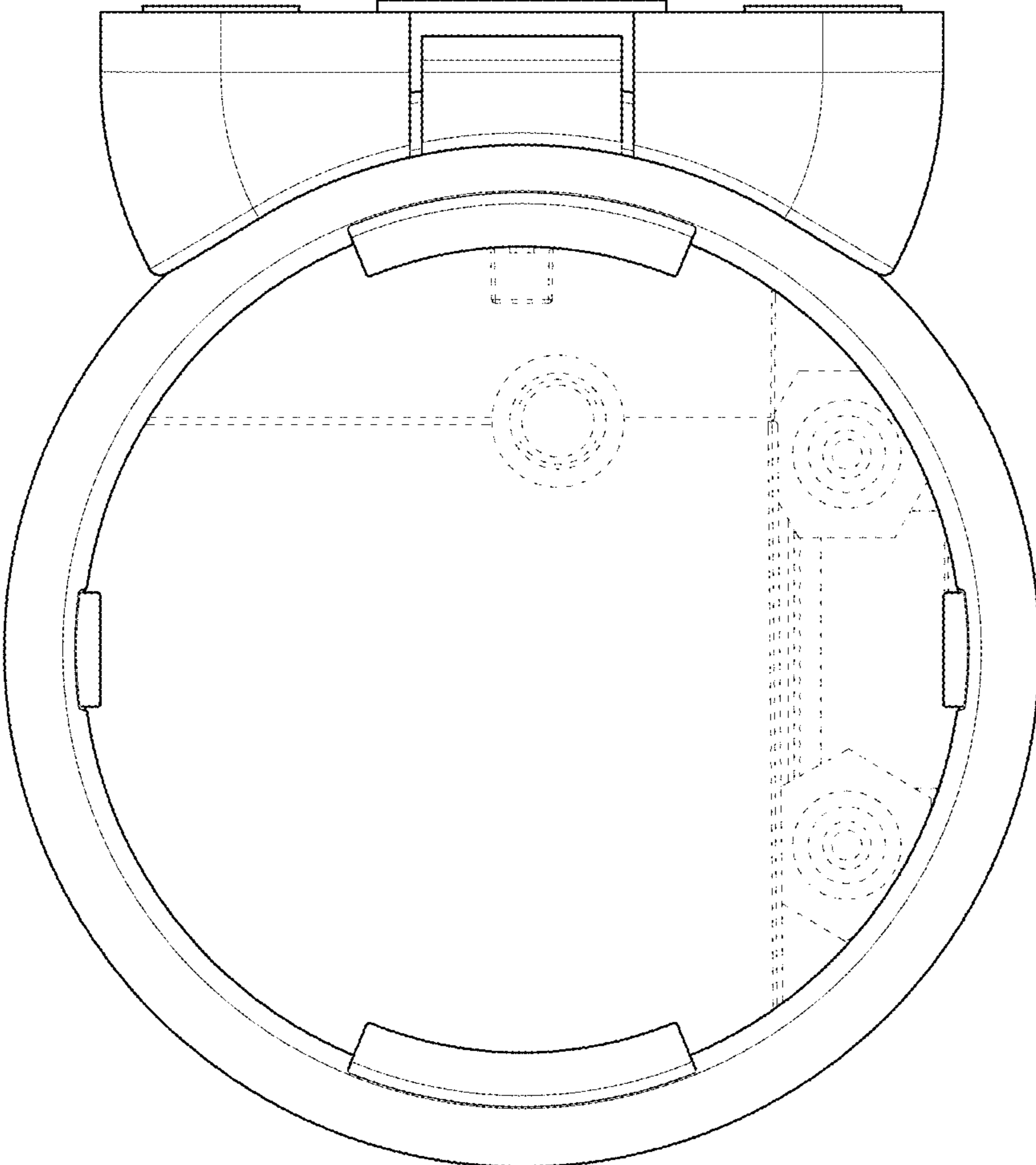


FIG. 1.3

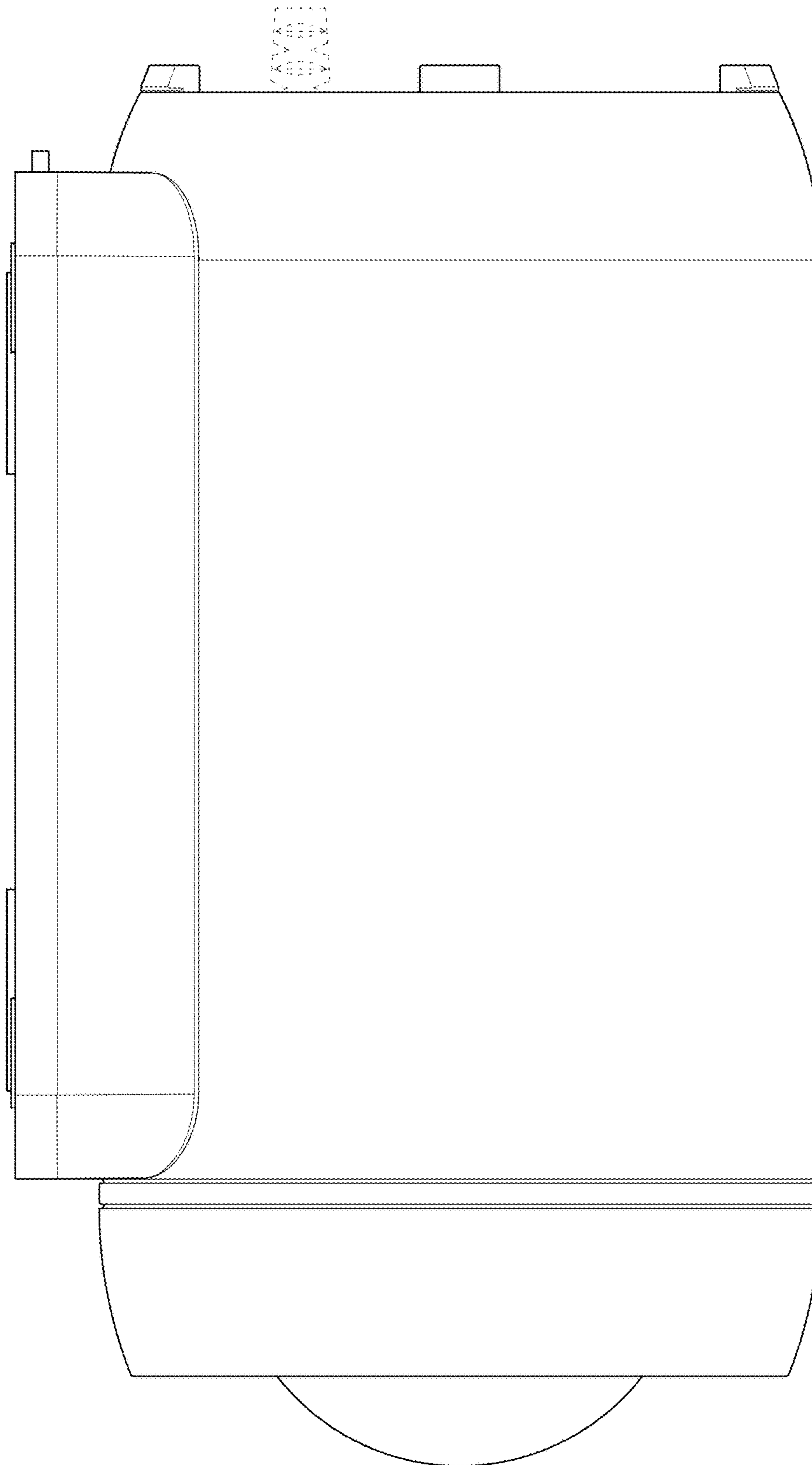


FIG. 1.4

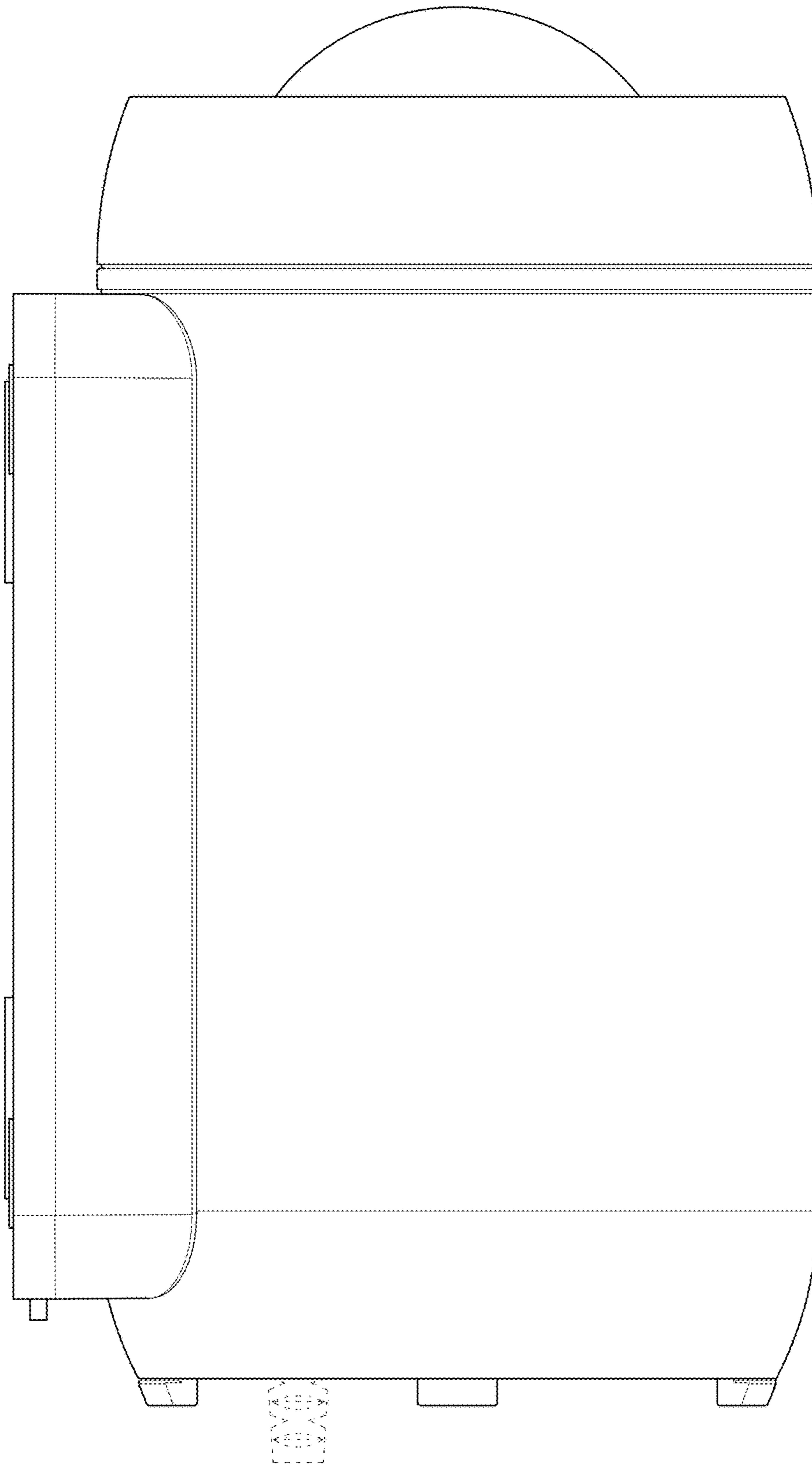


FIG. 1.5

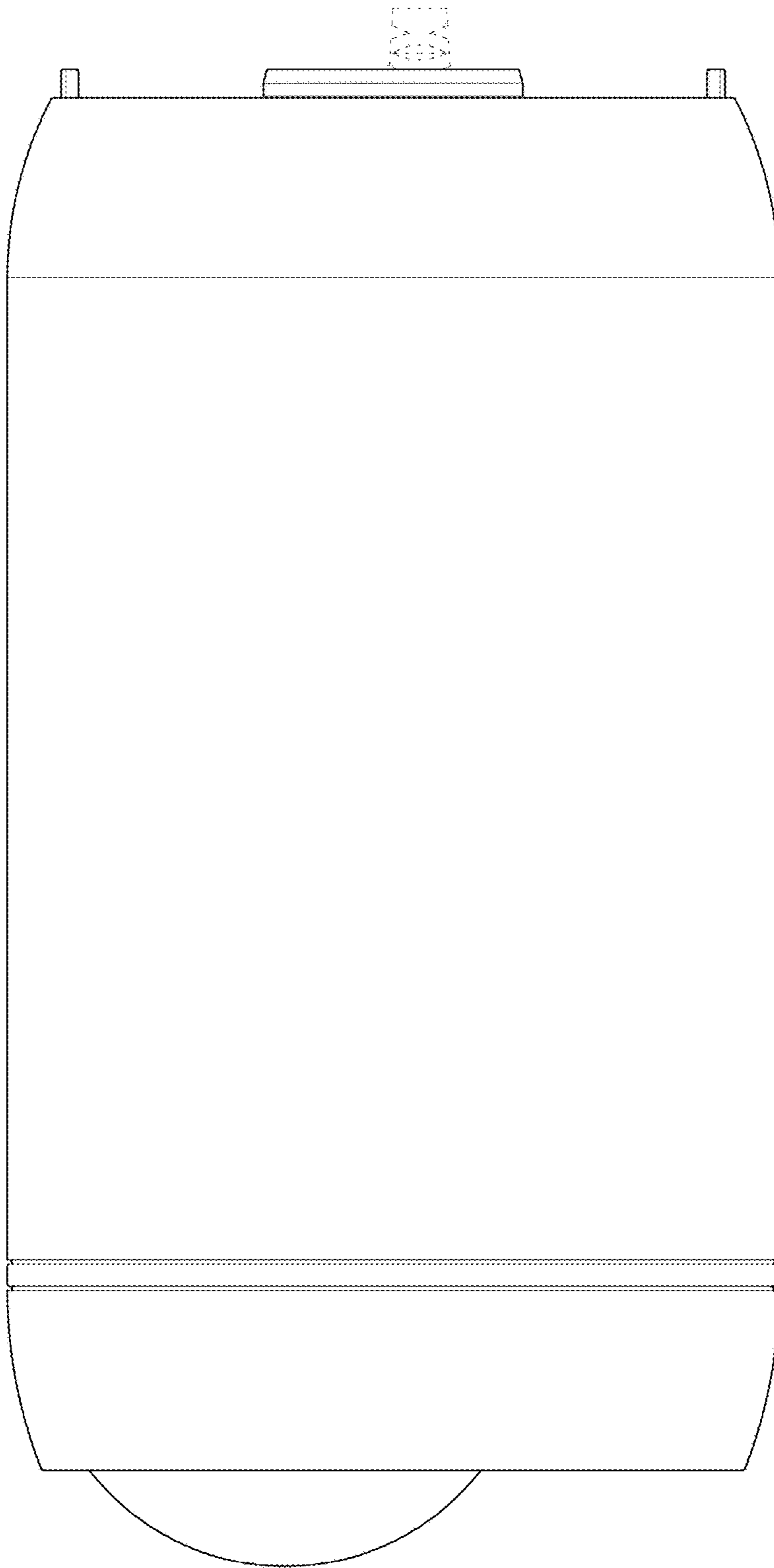


FIG. 1.6

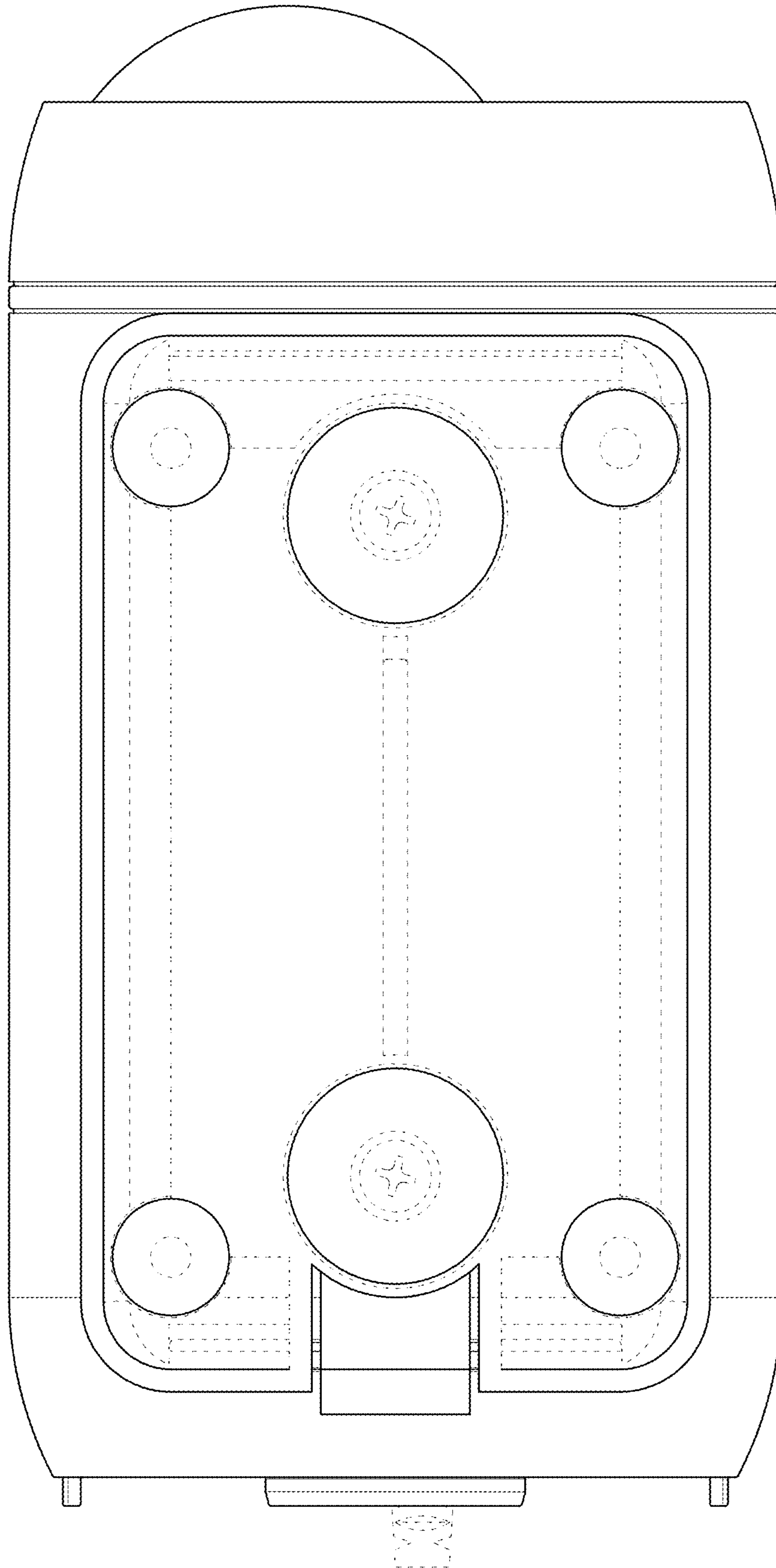


FIG. 1.7

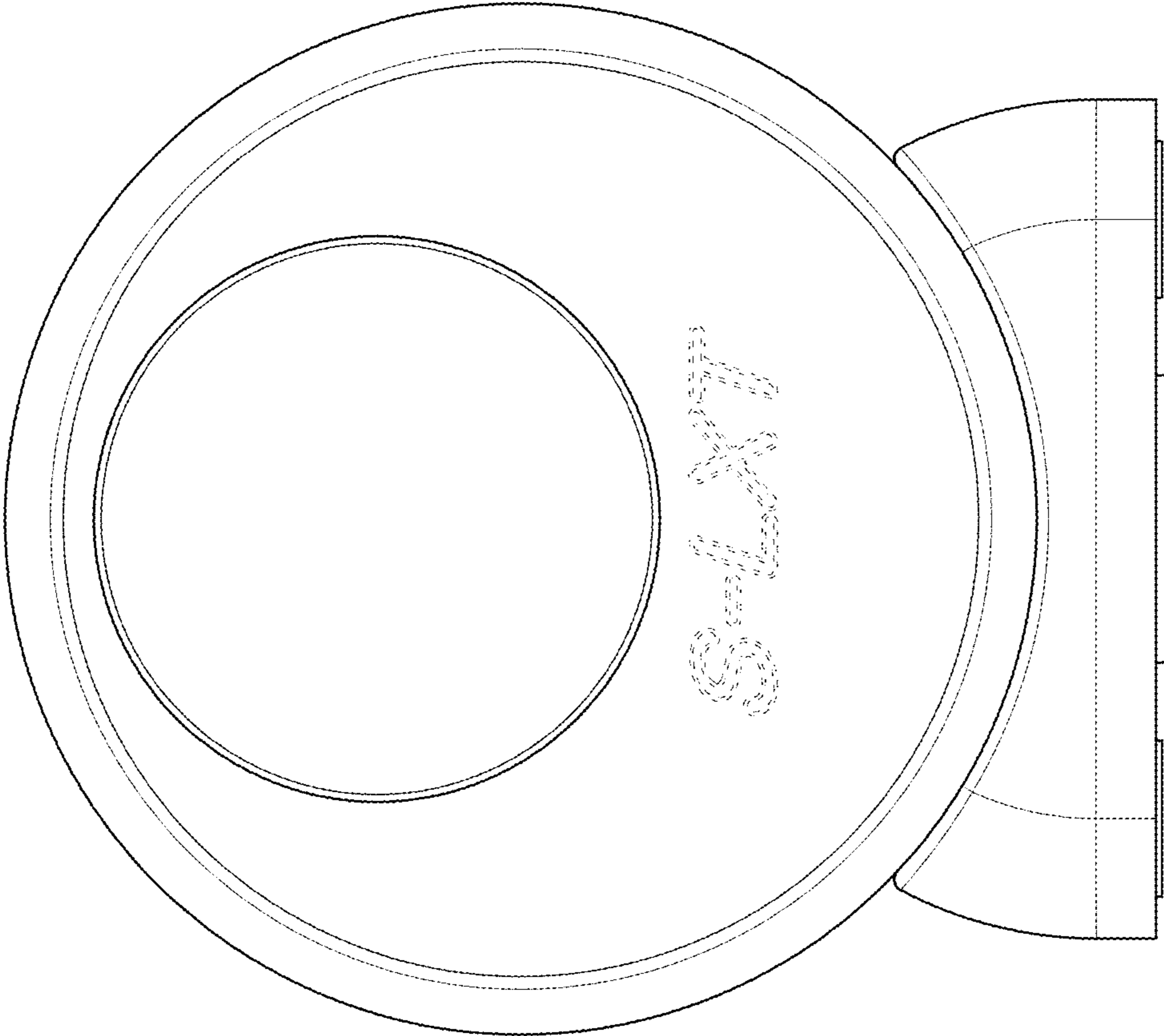


FIG. 1.8

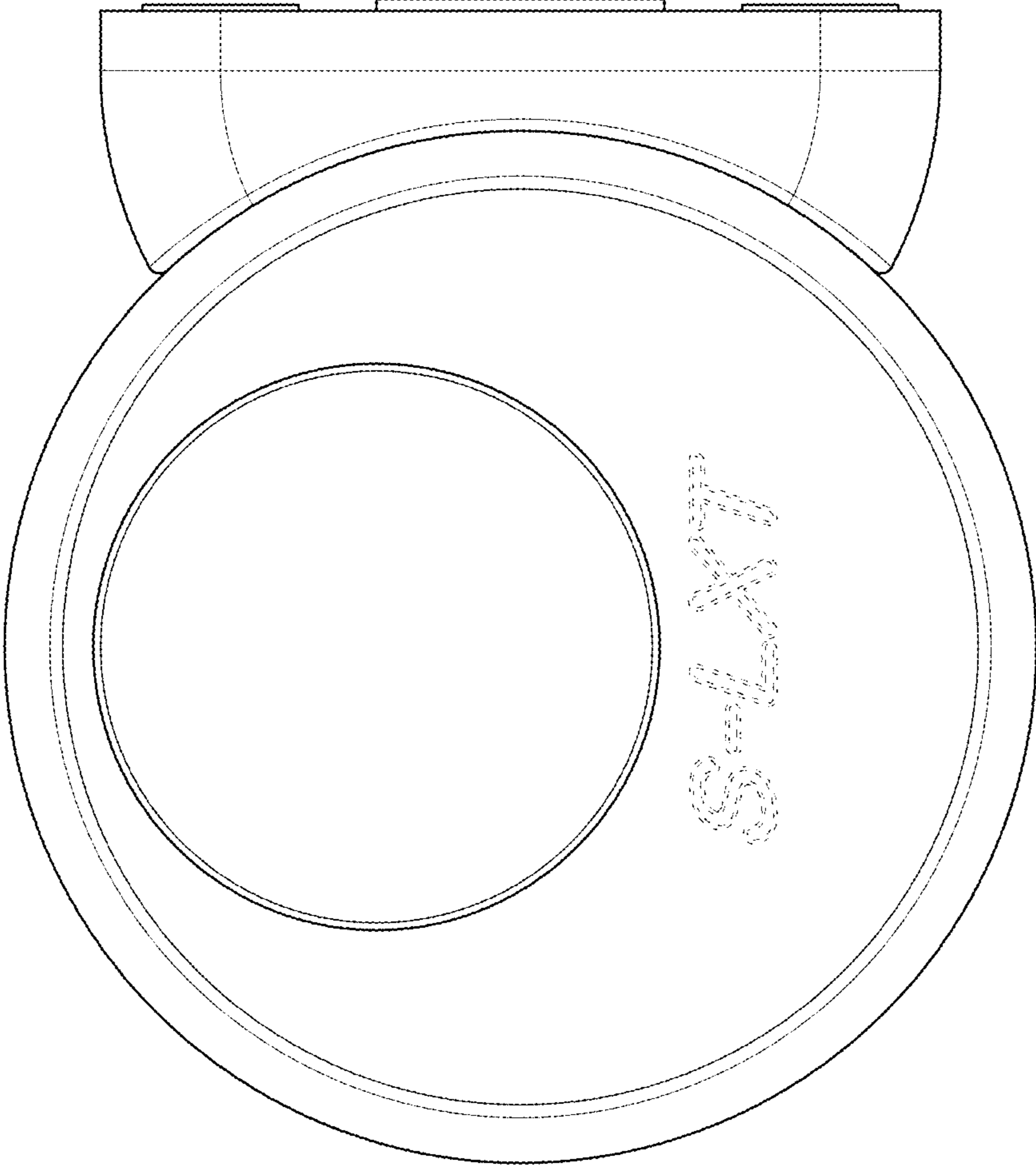


FIG. 1.9

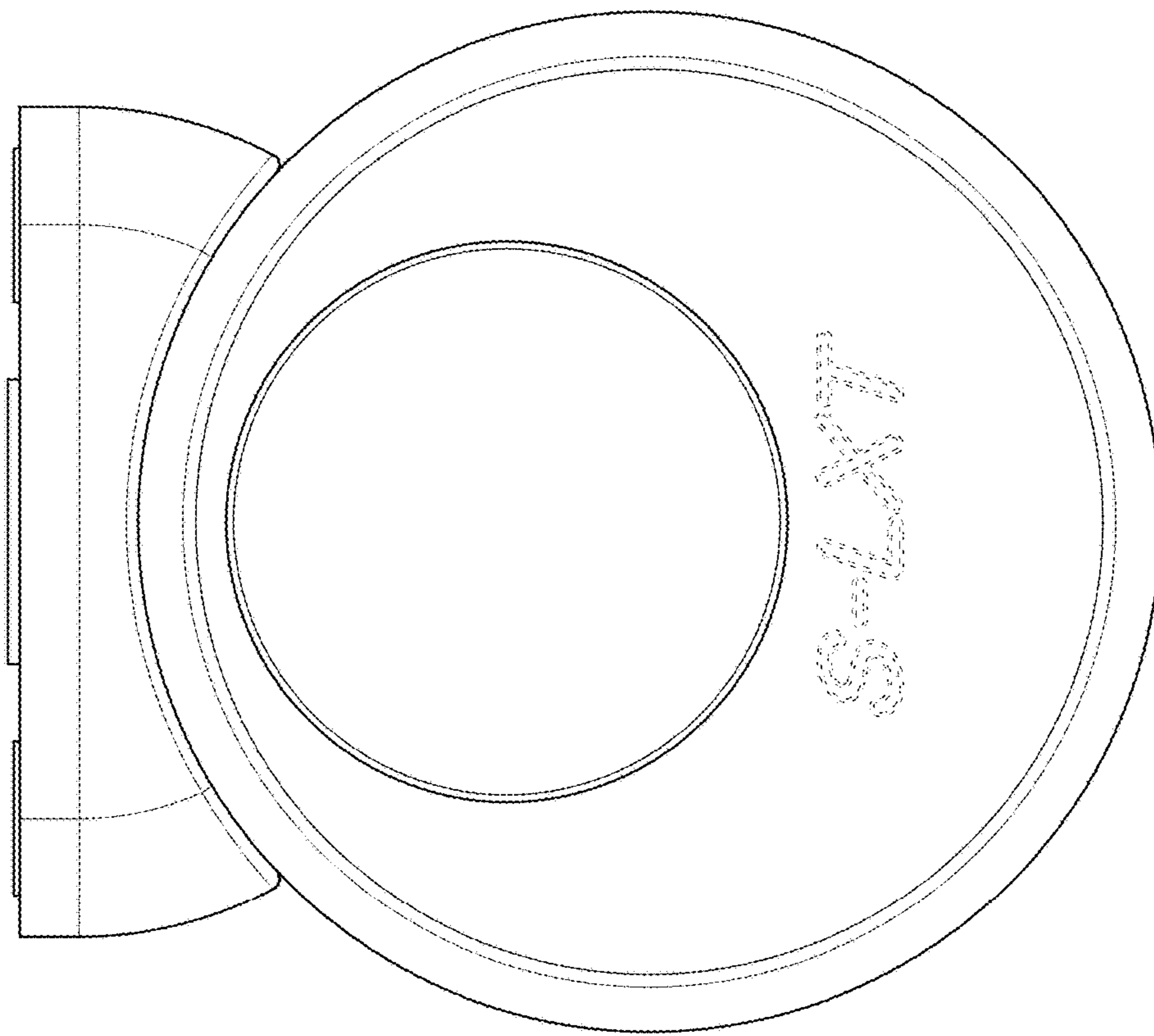


FIG. 1.10

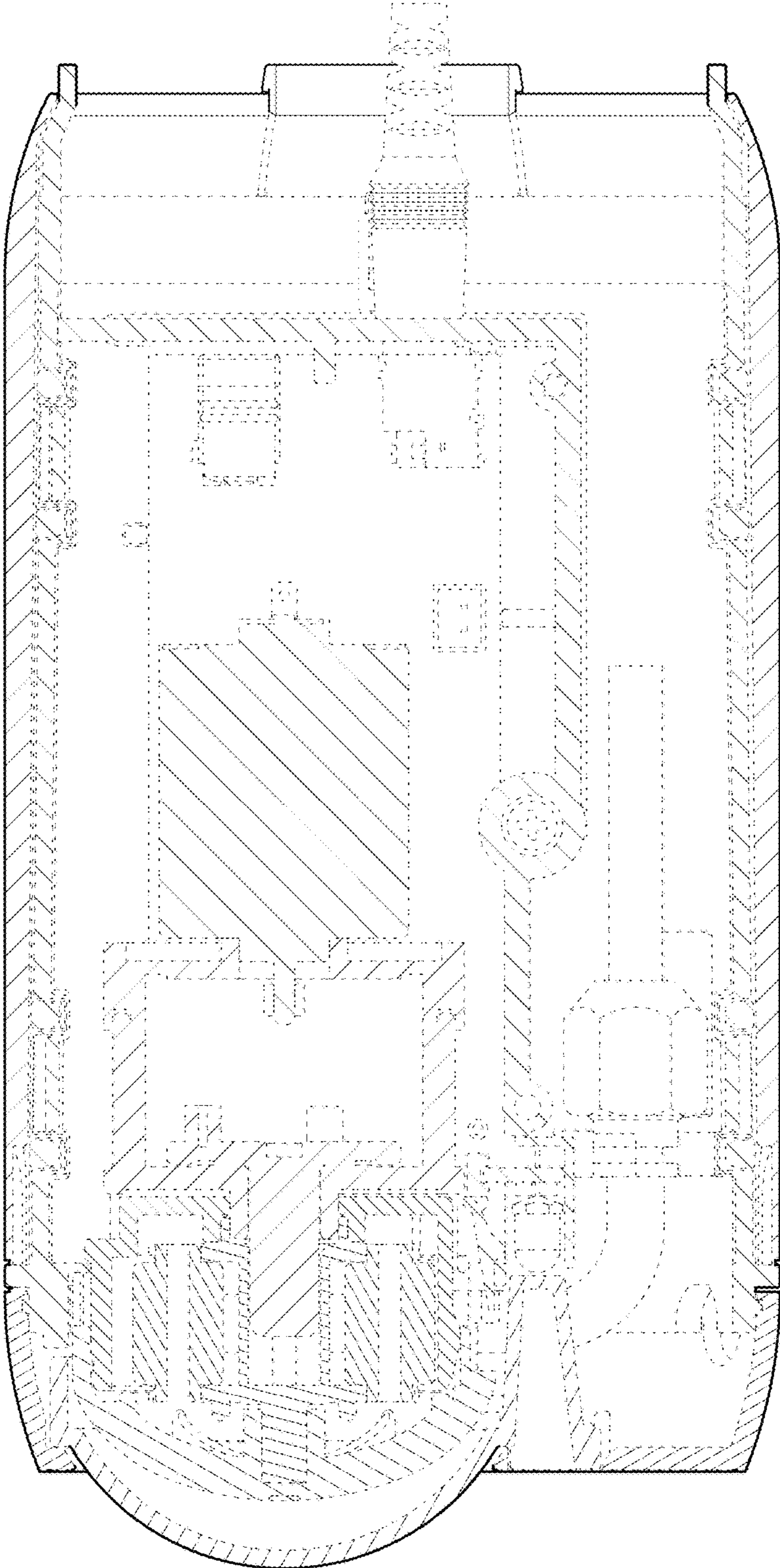


FIG. 1.11

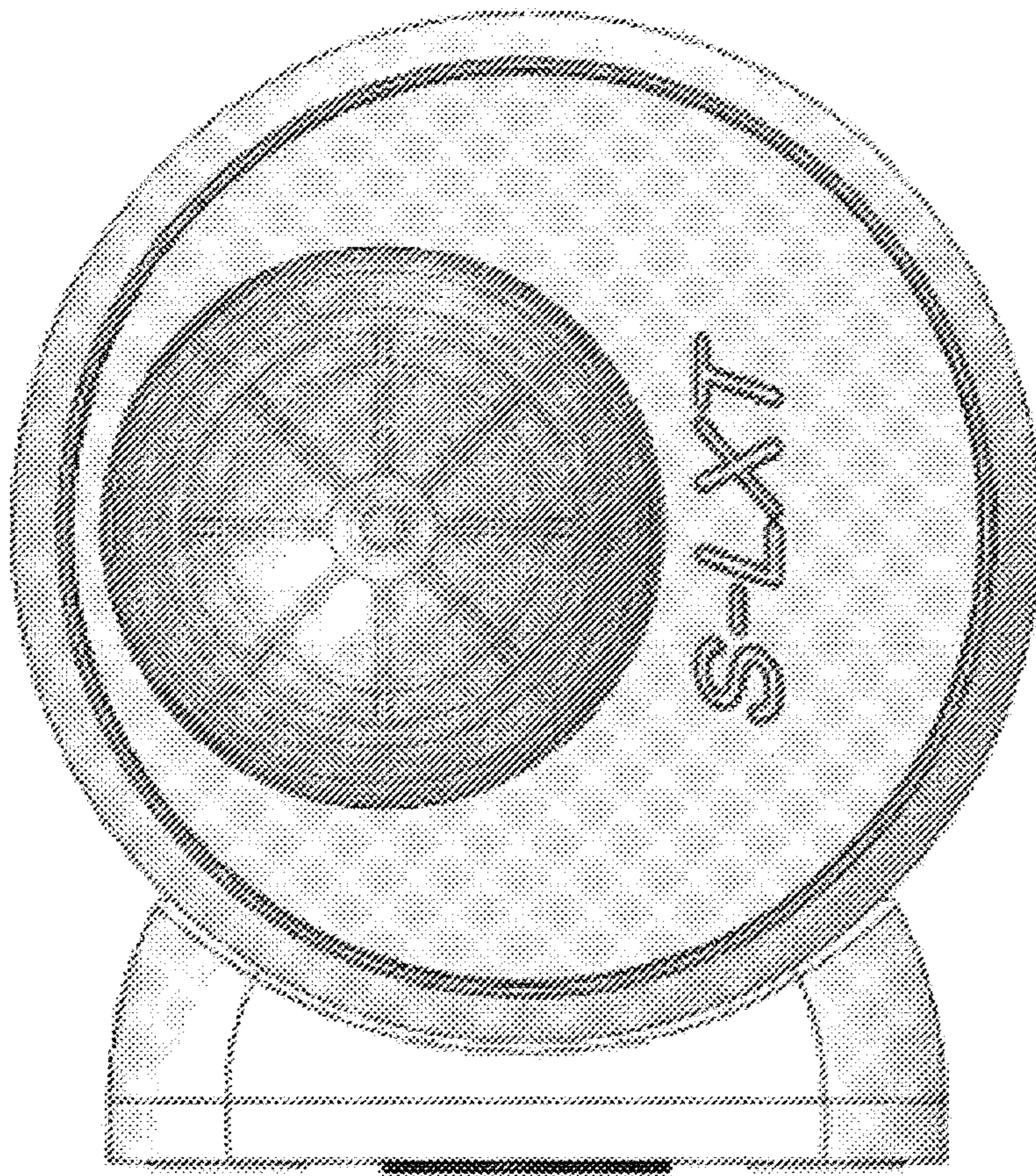


FIG. 1.12

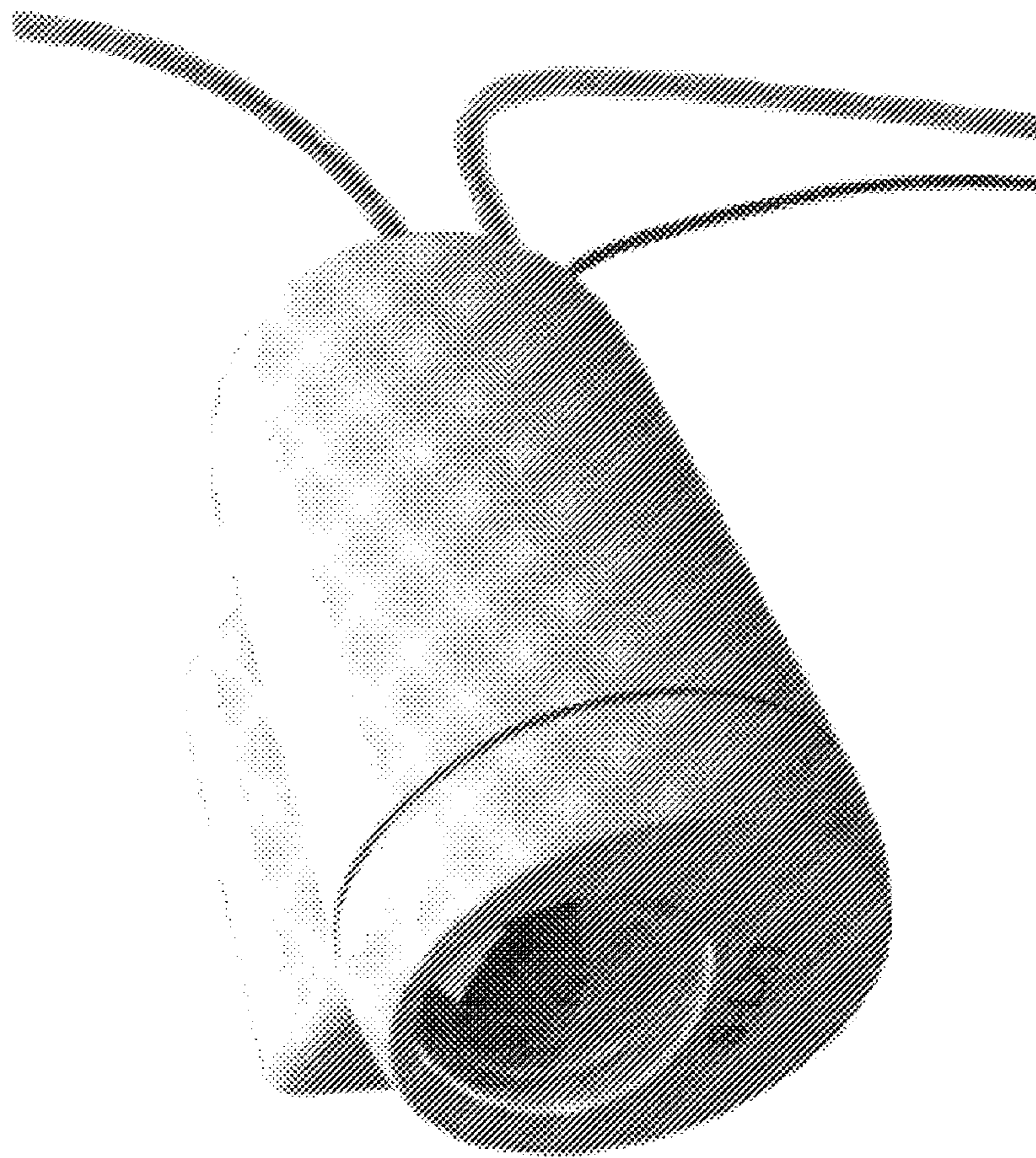


FIG. 1.13