



US00D810789S

(12) **United States Design Patent**  
**Cinotti et al.**

(10) **Patent No.:** **US D810,789 S**  
(45) **Date of Patent:** **\*\* Feb. 20, 2018**

(54) **PUMP IMPELLER**

(71) Applicant: **Weir Minerals Australia Ltd.**,  
Artarmon NSW (AU)

(72) Inventors: **Nestor Cinotti**, Elanora Heights (AU);  
**David Hamilton**, Forestville (AU)

(73) Assignee: **Weir Minerals Australia Ltd.** (AU)

(\*\*) Term: **15 Years**

(21) Appl. No.: **29/594,813**

(22) Filed: **Feb. 22, 2017**

(30) **Foreign Application Priority Data**

Aug. 25, 2016 (AU) ..... 201614664  
Nov. 4, 2016 (AU) ..... 201616207

(51) **LOC (11) Cl.** ..... **15-02**

(52) **U.S. Cl.**  
USPC ..... **D15/7**

(58) **Field of Classification Search**

USPC ..... D15/7-9, 28; D23/231, 232, 225, 379,  
D23/411; 417/60, 235, 355, 358, 363,  
417/359, 410.1, 415, 416, 405, 900;  
415/140-147, 115, 104, 199.1, 206,  
415/121.1; 416/180, 183, 228, 185,  
416/223 B, DIG. 2; 60/408, 412  
CPC ..... F02M 37/04; F02M 37/14; B21K 25/00;  
B23P 15/04; A47L 15/4225; A47L 27/00;  
A47L 7/04; A47L 7/045; F04D 29/2294;  
F04D 29/242; F04D 29/24; F04D  
29/2216; F04D 29/28; F04D 29/38; F04D  
29/18; F04D 29/22; F04D 29/2288; F04D  
29/2244; F04D 29/30; F04D 29/225;  
Y10S 416/02

See application file for complete search history.

(56) **References Cited**

**U.S. PATENT DOCUMENTS**

1,864,834 A \* 6/1932 Klosson ..... F04D 29/225  
415/203  
4,208,169 A 6/1980 Becker et al.

4,904,159 A 2/1990 Wickoren  
5,692,880 A \* 12/1997 Zelder ..... F04D 29/225  
416/175  
6,074,167 A \* 6/2000 Olifirov ..... F01D 17/143  
415/131  
D443,281 S \* 6/2001 Sodergard ..... D15/7  
(Continued)

**FOREIGN PATENT DOCUMENTS**

AU 2013202462 B2 5/2013

*Primary Examiner* — Mark Goodwin

(74) *Attorney, Agent, or Firm* — Morriss O'Bryant  
Compagni

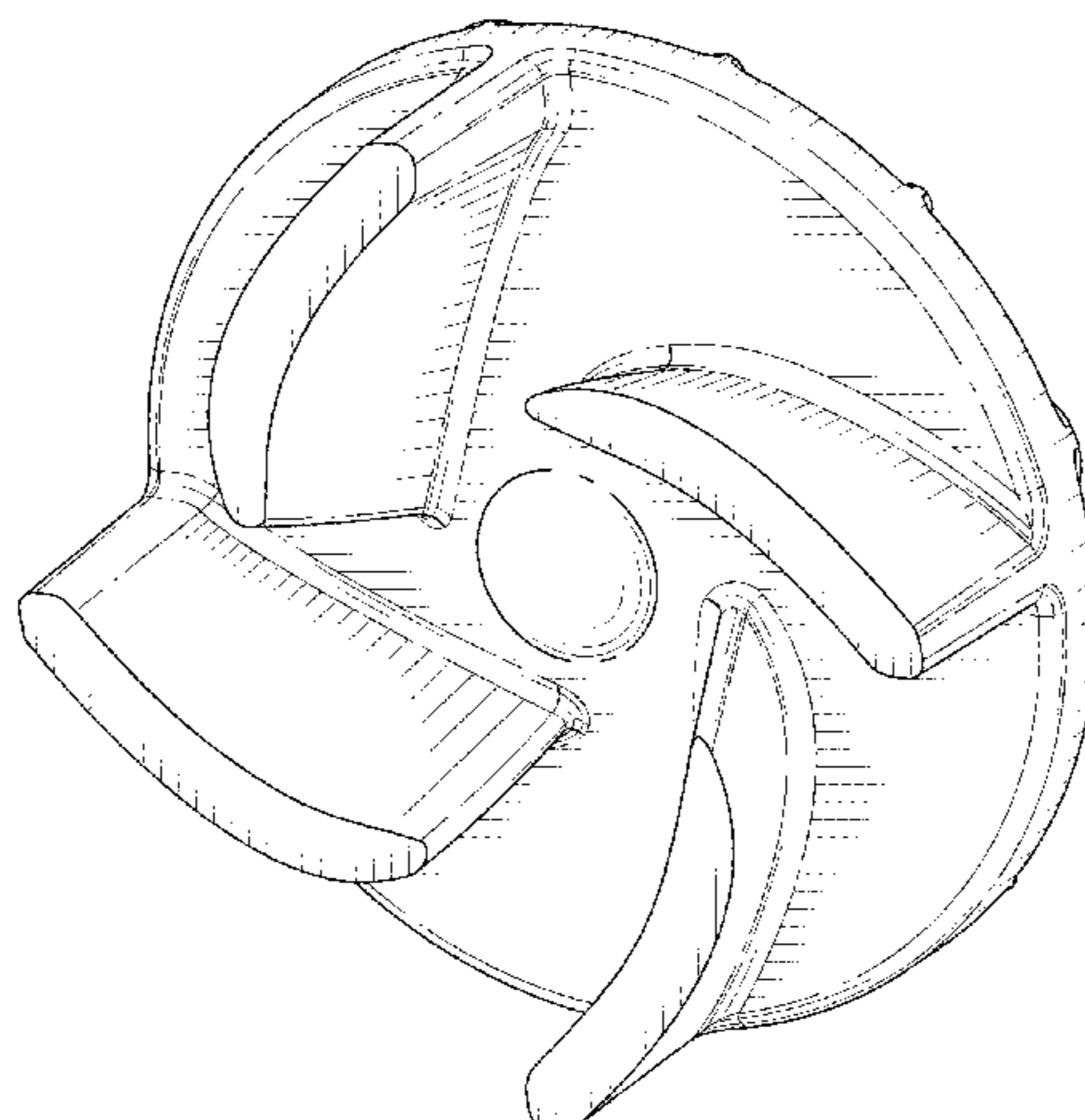
(57) **CLAIM**

The ornamental design for a pump impeller, as shown and described herein.

**DESCRIPTION**

FIG. 1 is a front perspective view of a pump impeller showing our new design;  
FIG. 2 is a back perspective view thereof;  
FIG. 3 is a front view thereof;  
FIG. 4 is a back view thereof;  
FIG. 5 is a side elevation view thereof, with the back of the pump impeller facing to the left of the page;  
FIG. 6 is a side elevation view of the pump impeller shown in FIG. 5, with the back of the pump impeller facing to the right of the page;  
FIG. 7 is a side elevation view of the pump impeller shown in FIG. 5, having been rotated ninety degrees both vertically and horizontally, the back of the pump impeller facing to the top of the page; and,  
FIG. 8 is a side elevation view of the pump impeller shown in FIG. 7, with the back of the pump impeller facing the bottom of the page.

**1 Claim, 6 Drawing Sheets**



(56)

**References Cited**

U.S. PATENT DOCUMENTS

6,638,020 B1 \* 10/2003 Tsui ..... F04D 29/2222  
416/185  
7,114,925 B2 \* 10/2006 Shaw ..... F04D 29/2288  
415/121.1  
D586,826 S \* 2/2009 Cantrill ..... D15/7  
8,025,479 B2 9/2011 Scrott  
8,113,802 B2 \* 2/2012 Liang ..... F04D 29/2233  
29/888.024  
8,221,070 B2 \* 7/2012 Baryshnikov ..... F04D 29/2266  
415/104  
8,371,831 B2 \* 2/2013 Marioni ..... A47L 15/4225  
417/423.1  
8,439,642 B2 5/2013 Scott et al.  
D694,266 S \* 11/2013 Haddad ..... D15/7  
9,091,277 B1 \* 7/2015 Young ..... F04D 29/2222  
9,556,739 B2 \* 1/2017 Springer ..... F04D 29/2294  
2009/0092478 A1 4/2009 Eslinger  
2010/0284812 A1 11/2010 Zahdeh  
2016/0040682 A1 2/2016 Walker

\* cited by examiner

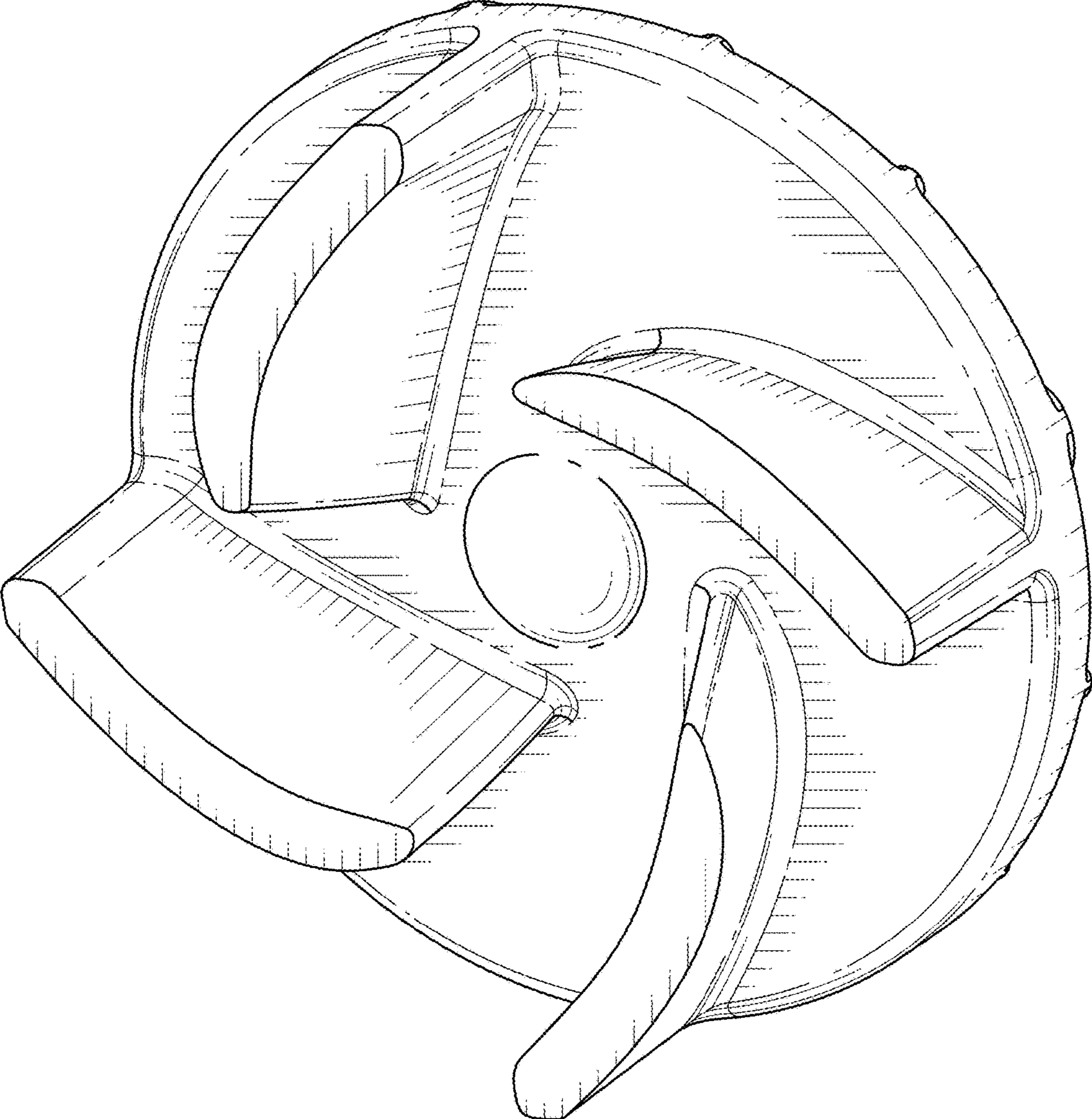


FIG. 1

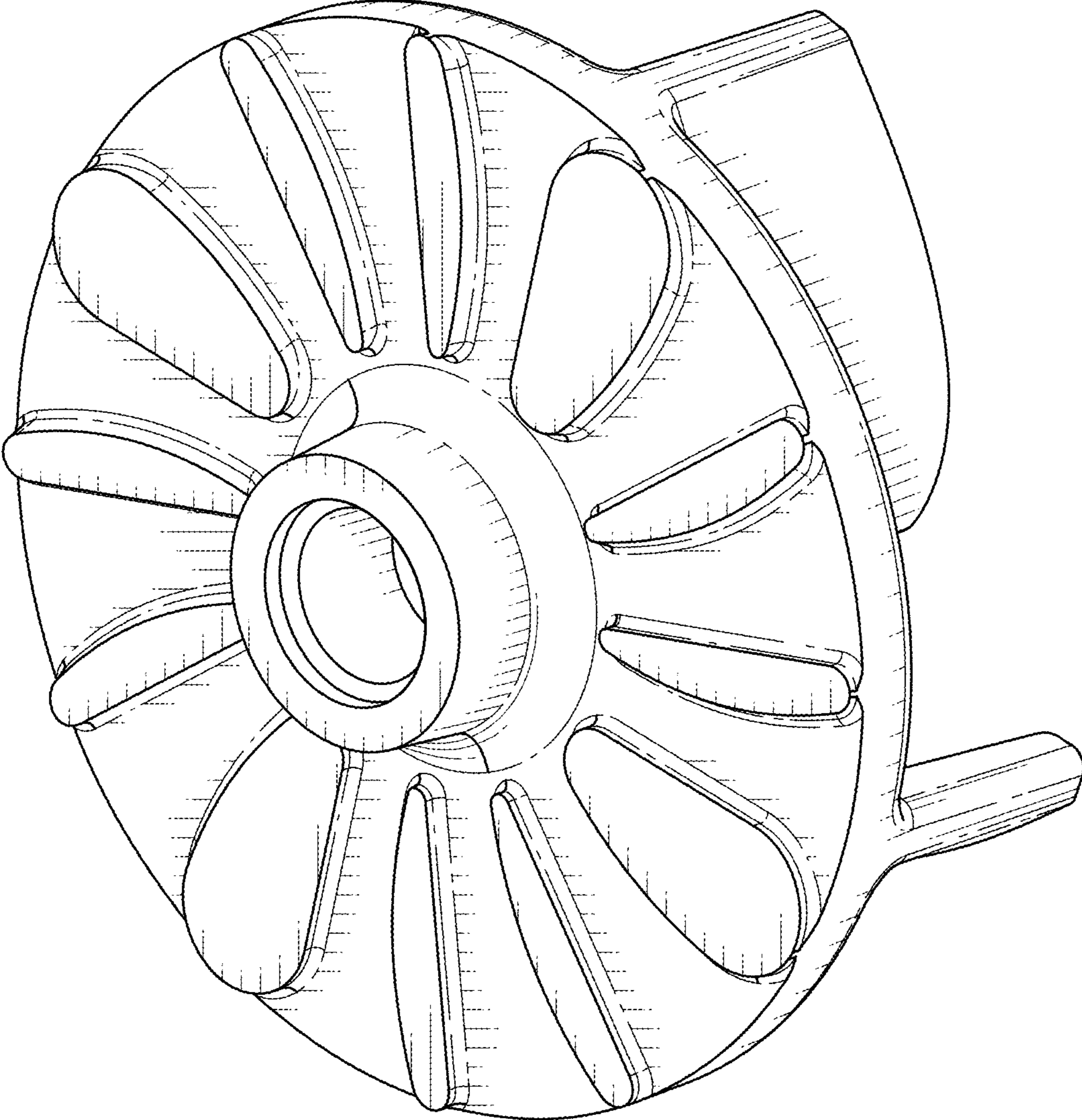


FIG. 2





FIG. 3

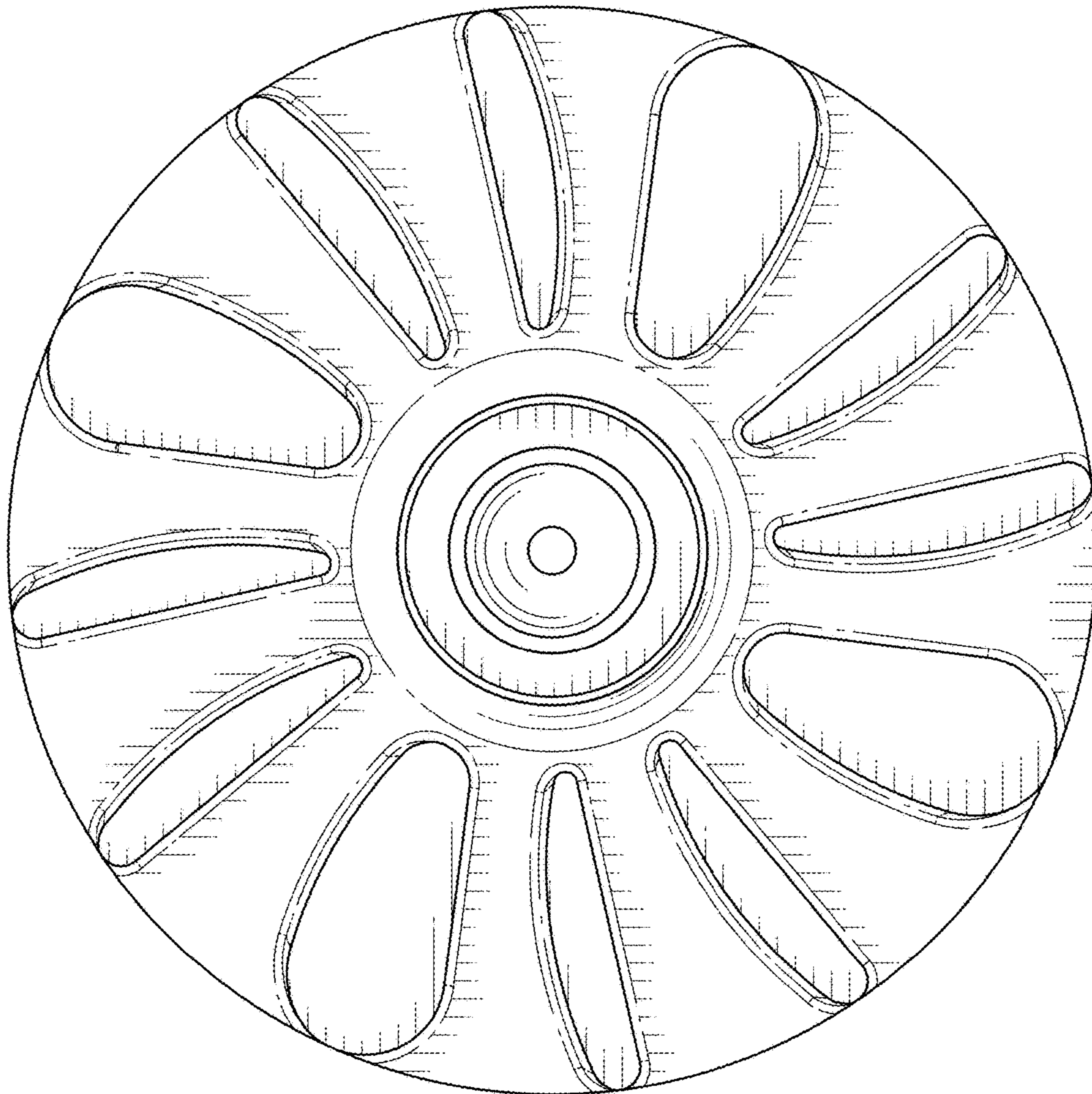


FIG. 4

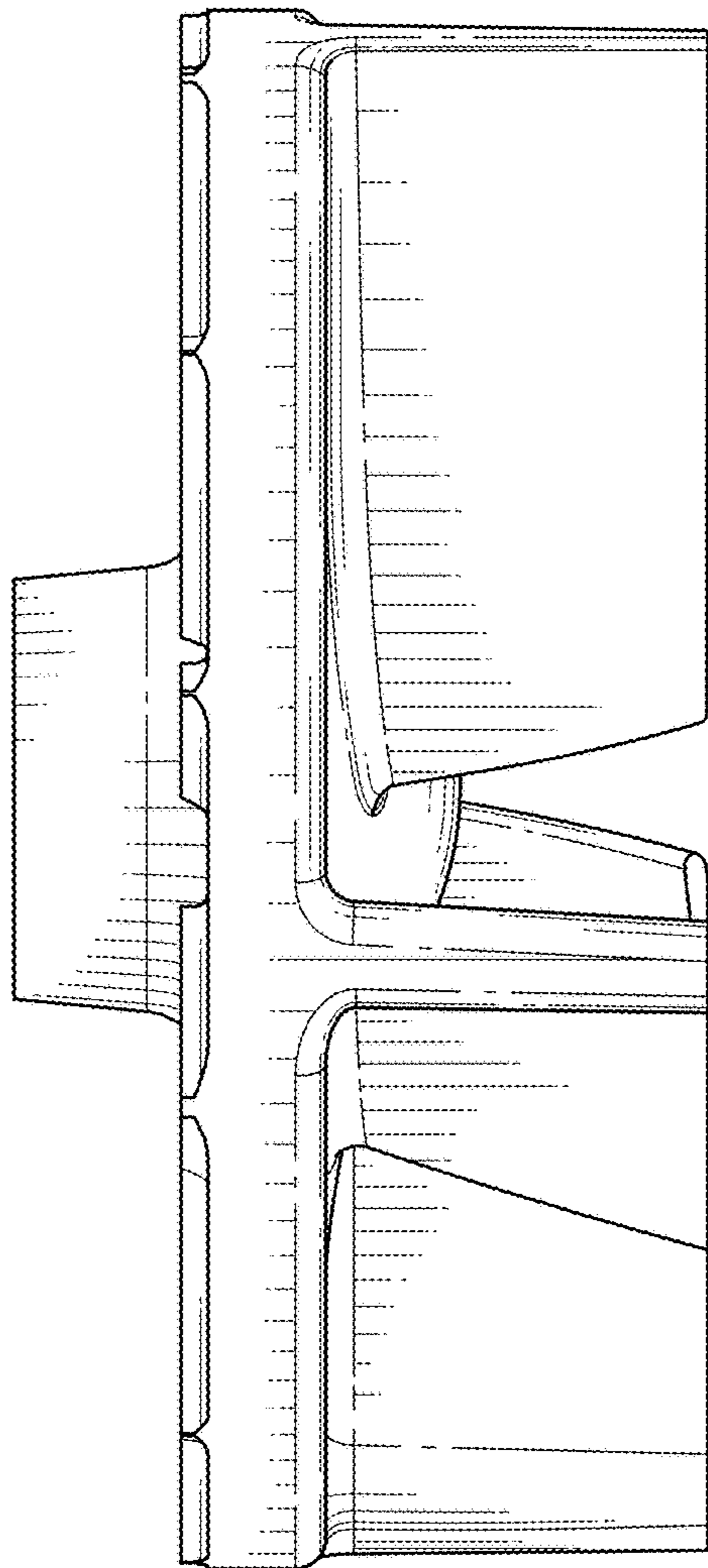


FIG. 5

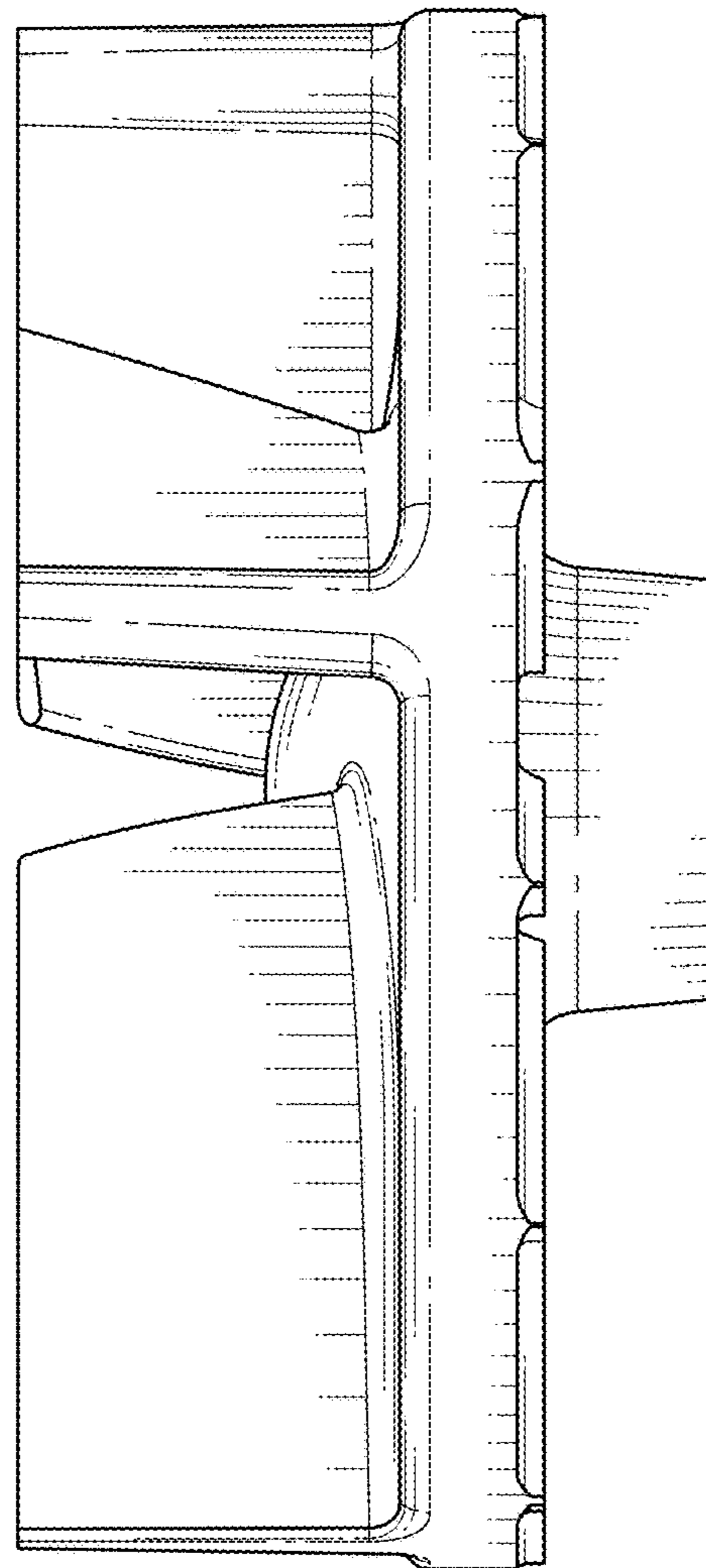


FIG. 6

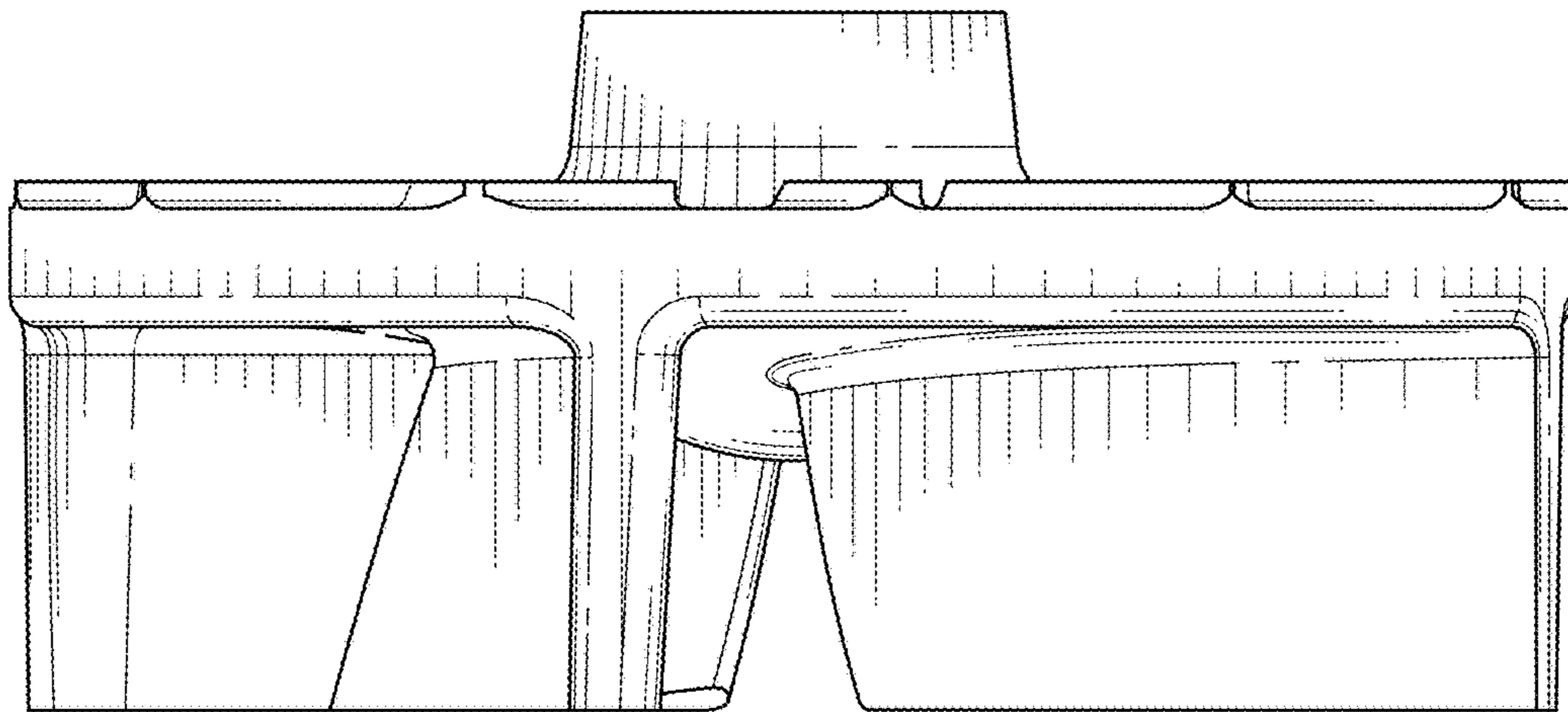


FIG. 7

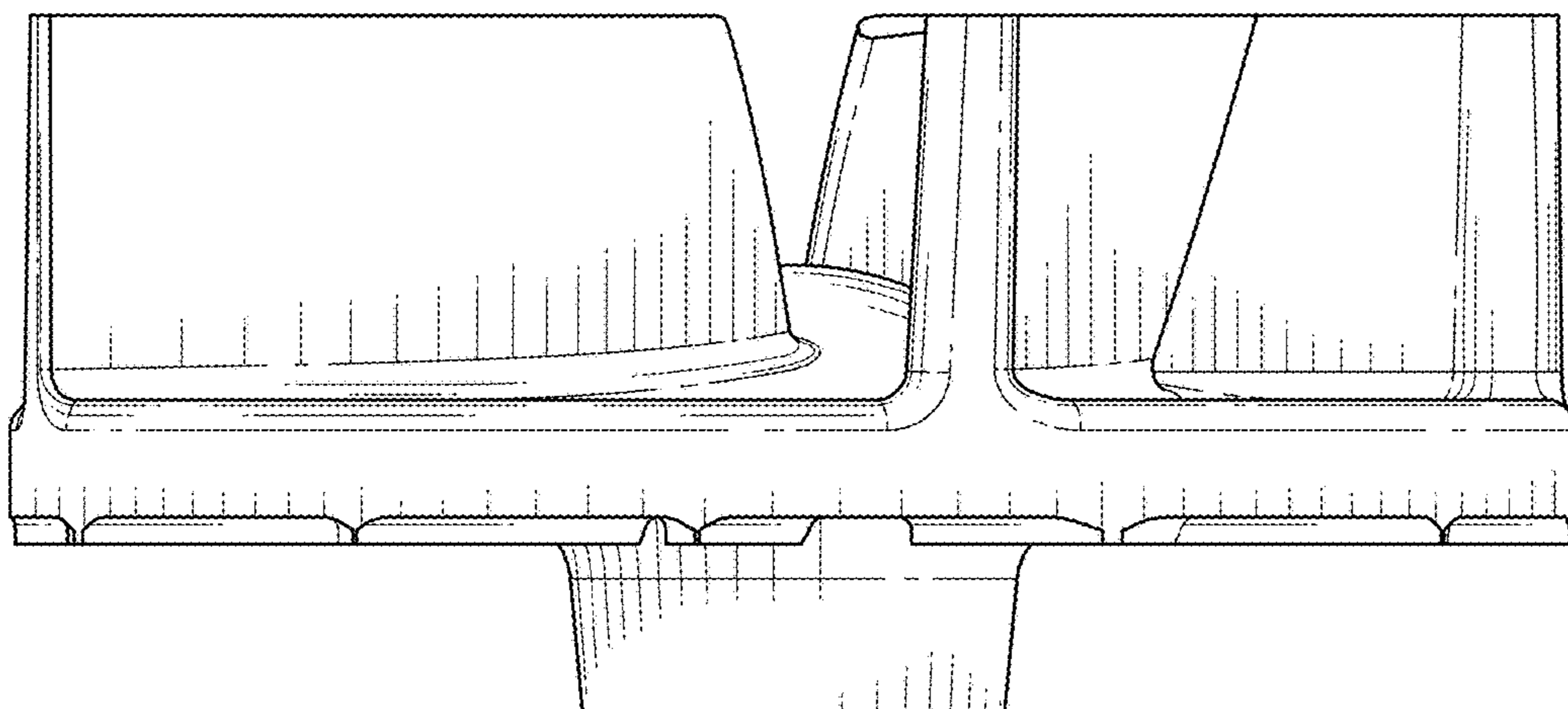


FIG. 8