



US00D810788S

(12) **United States Design Patent** (10) **Patent No.:** **US D810,788 S**
Cinotti et al. (45) **Date of Patent:** **** Feb. 20, 2018**

(54) **PUMP IMPELLER**

(71) Applicant: **Weir Minerals Australia Ltd.**,
Artarmon NSW (AU)

(72) Inventors: **Nestor Cinotti**, Elanora Heights (AU);
David Hamilton, Forestville (AU)

(73) Assignee: **Weir Minerals Australia Ltd.** (AU)

(**) Term: **15 Years**

(21) Appl. No.: **29/594,812**

(22) Filed: **Feb. 22, 2017**

(30) **Foreign Application Priority Data**

Aug. 25, 2016 (AU) 201614664
Nov. 4, 2016 (AU) 201616206

(51) **LOC (11) Cl.** **15-02**

(52) **U.S. Cl.**
USPC **D15/7**

(58) **Field of Classification Search**

USPC D15/7-9, 28; D23/231, 232, 225, 379,
D23/411; 417/60, 235, 355, 358, 363,
417/359, 410.1, 415, 416, 405, 900;
415/140-147, 115, 104, 199.1, 206,
415/121.1; 416/180, 183, 228, 185,
416/223 B, DIG. 2; 60/408, 412
CPC F02M 37/04; F02M 37/14; B21K 25/00;
B23P 15/04; A47L 15/4225; A47L 27/00;
A47L 7/04; A47L 7/045; F04D 29/2294;
F04D 29/242; F04D 29/24; F04D
29/2216; F04D 29/28; F04D 29/38; F04D
29/18; F04D 29/22; F04D 29/2288; F04D
29/2244; F04D 29/30; F04D 29/225;
Y10S 416/02

See application file for complete search history.

(56) **References Cited**

U.S. PATENT DOCUMENTS

1,864,834 A * 6/1932 Klosson F04D 29/25
415/203

4,208,169 A 6/1980 Becker et al.
4,904,159 A 2/1990 Wickoren

5,692,880 A * 12/1997 Zelder F04D 29/225
416/175

6,074,167 A * 6/2000 Olifirov F01D 17/143
415/131

D443,281 S * 6/2001 Sodergard D15/7
(Continued)

FOREIGN PATENT DOCUMENTS

AU 2013202462 B2 5/2013

Primary Examiner — Mark Goodwin

(74) *Attorney, Agent, or Firm* — Morriss O’Bryant
Compagni

(57) **CLAIM**

The ornamental design for a pump impeller, as shown and described herein.

DESCRIPTION

FIG. 1 is a front perspective view of a pump impeller showing our new design;
FIG. 2 is a back perspective view thereof;
FIG. 3 is a front view thereof;
FIG. 4 is a back view thereof;
FIG. 5 is a side elevation view thereof, with the back of the pump impeller facing to the left of the page;
FIG. 6 is a side elevation view of the pump impeller shown in FIG. 5, with the back of the pump impeller facing to the right of the page;
FIG. 7 is a side elevation view of the pump impeller shown in FIG. 5, having been rotated ninety degrees both vertically and horizontally, the back of the pump impeller facing to the top of the page; and,

(Continued)

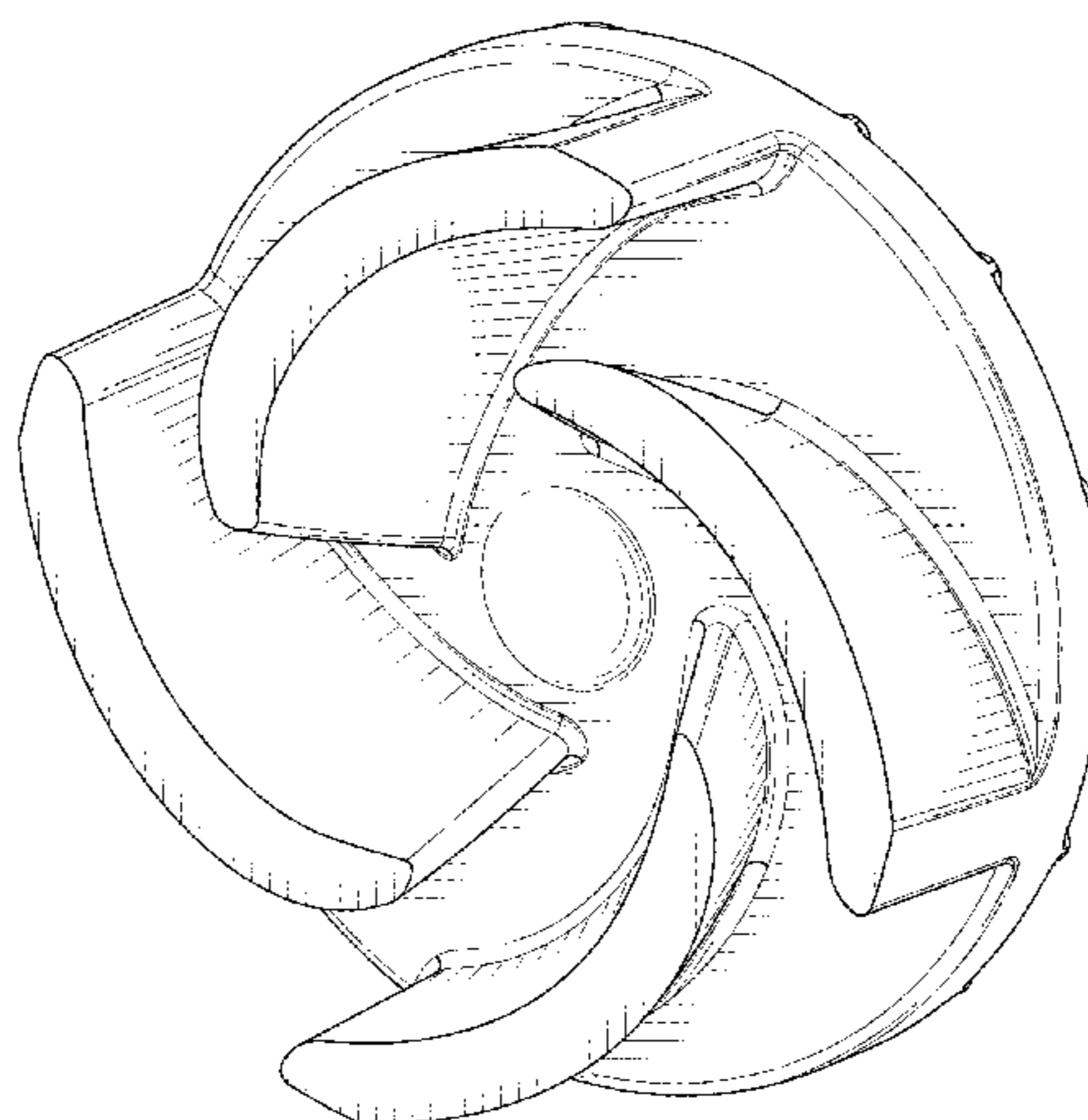


FIG. 8 is a side elevation view of the pump impeller shown in FIG. 7, with the back of the pump impeller facing the bottom of the page.

1 Claim, 6 Drawing Sheets

(56) **References Cited**

U.S. PATENT DOCUMENTS

6,638,020	B1 *	10/2003	Tsui	F04D 29/2222	416/185
7,114,925	B2 *	10/2006	Shaw	F04D 29/2288	415/121.1
D586,826	S *	2/2009	Cantrill	D15/7	
8,025,479	B2	9/2011	Scloft			
8,113,802	B2 *	2/2012	Liang	F04D 29/2233	29/888.024
8,221,070	B2 *	7/2012	Baryshnikov	F04D 29/2266	415/104
8,371,831	B2 *	2/2013	Marioni	A47L 15/4225	417/423.1
8,439,642	B2	5/2013	Scott et al.			
D694,266	S *	11/2013	Haddad	D15/7	
9,091,277	B1 *	7/2015	Young	F04D 29/2222	
9,556,739	B2 *	1/2017	Springer	F04D 29/2294	
2009/0092478	A1	4/2009	Eslinger			
2010/0284812	A1	11/2010	Zahdeh			
2016/0040682	A1	2/2016	Walker			

* cited by examiner

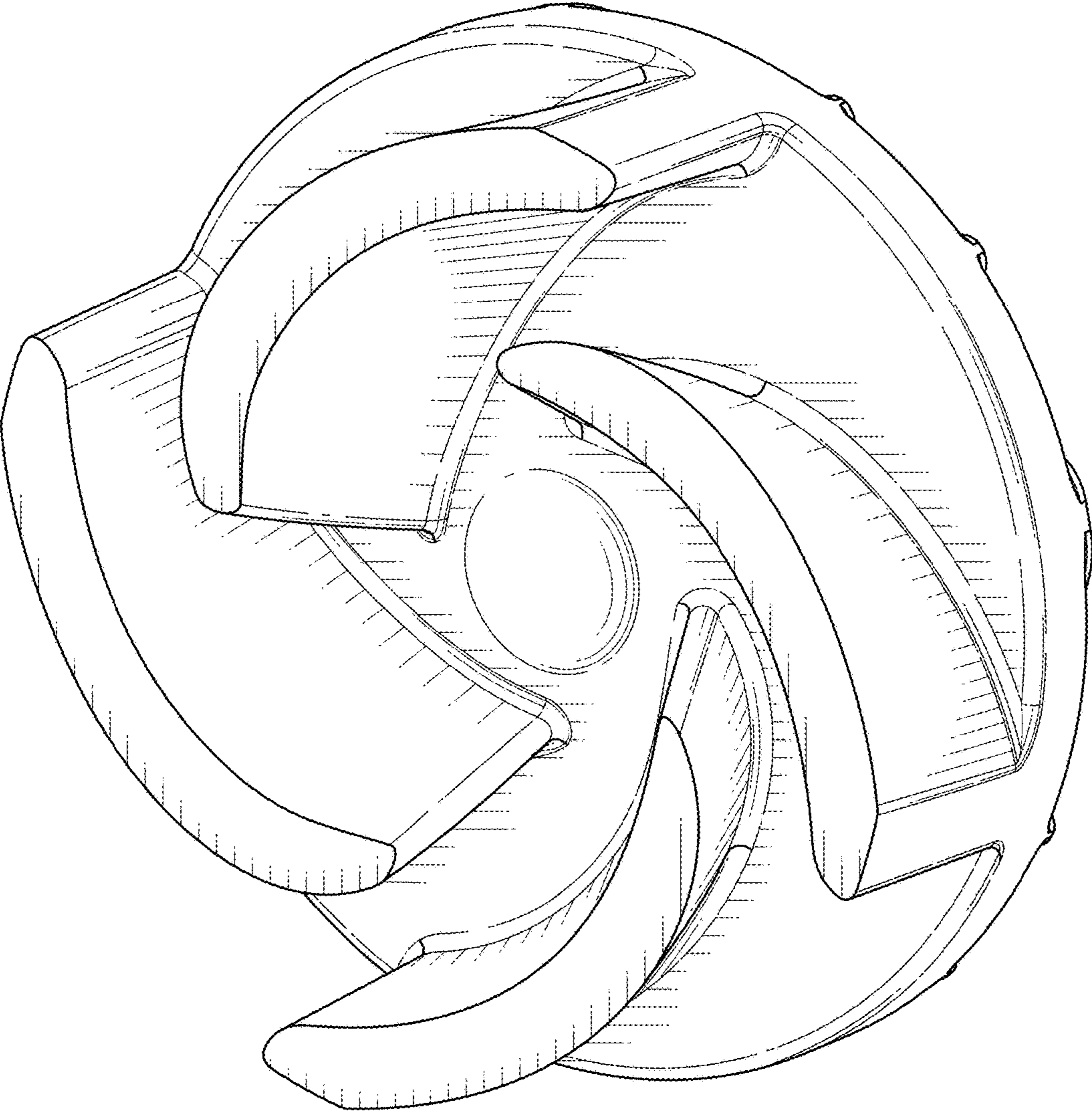


FIG. 1

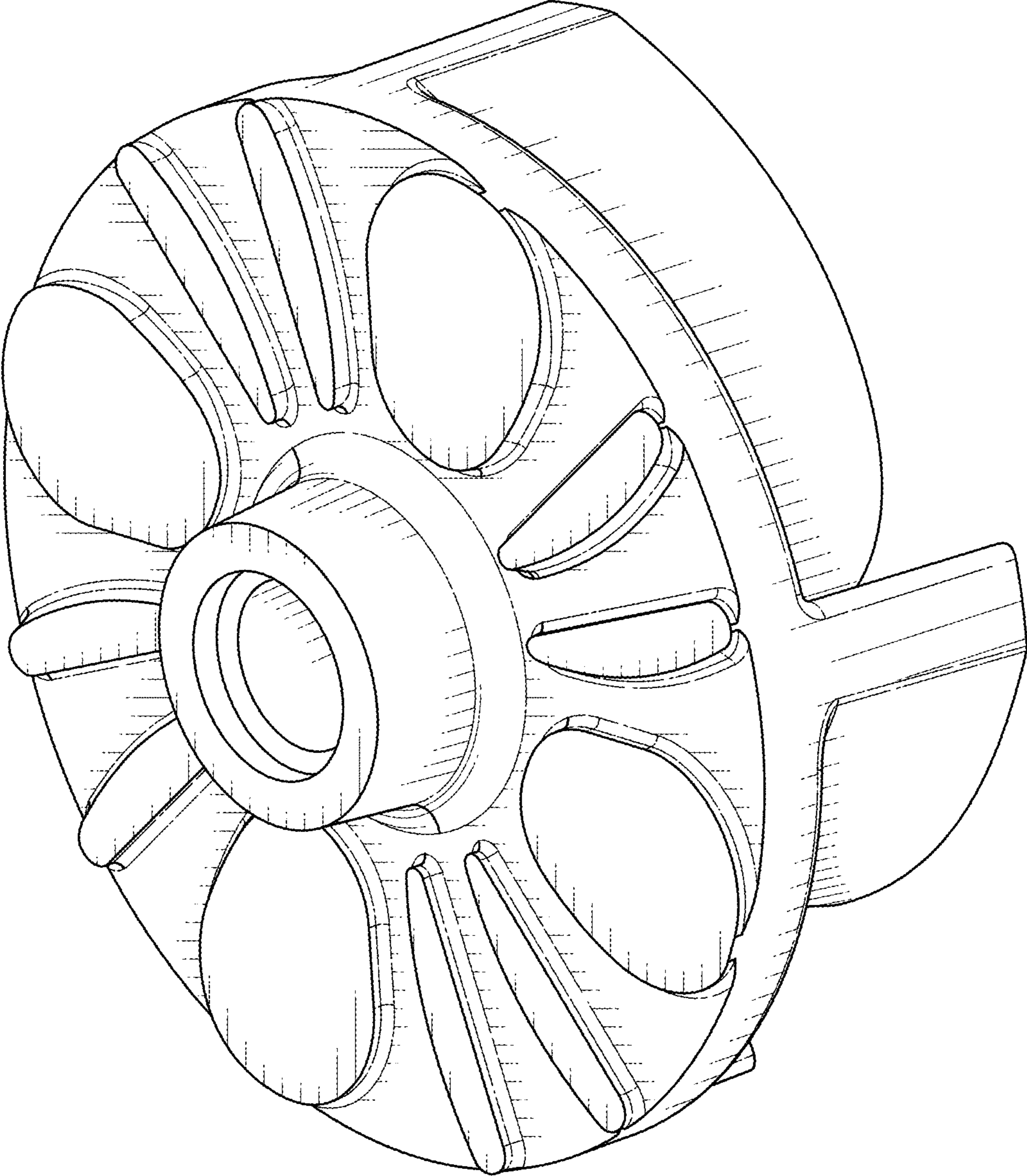


FIG. 2

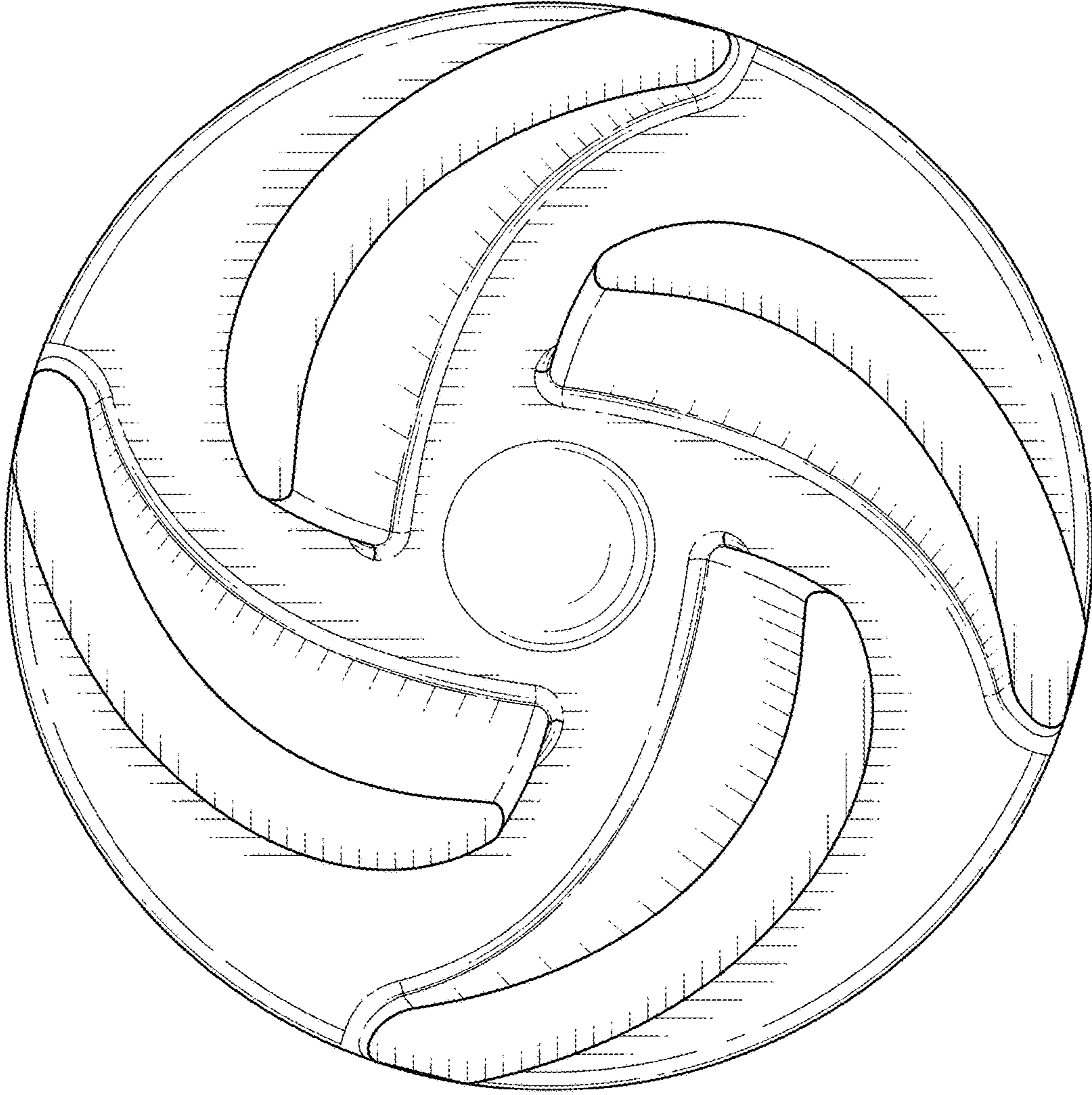


FIG. 3

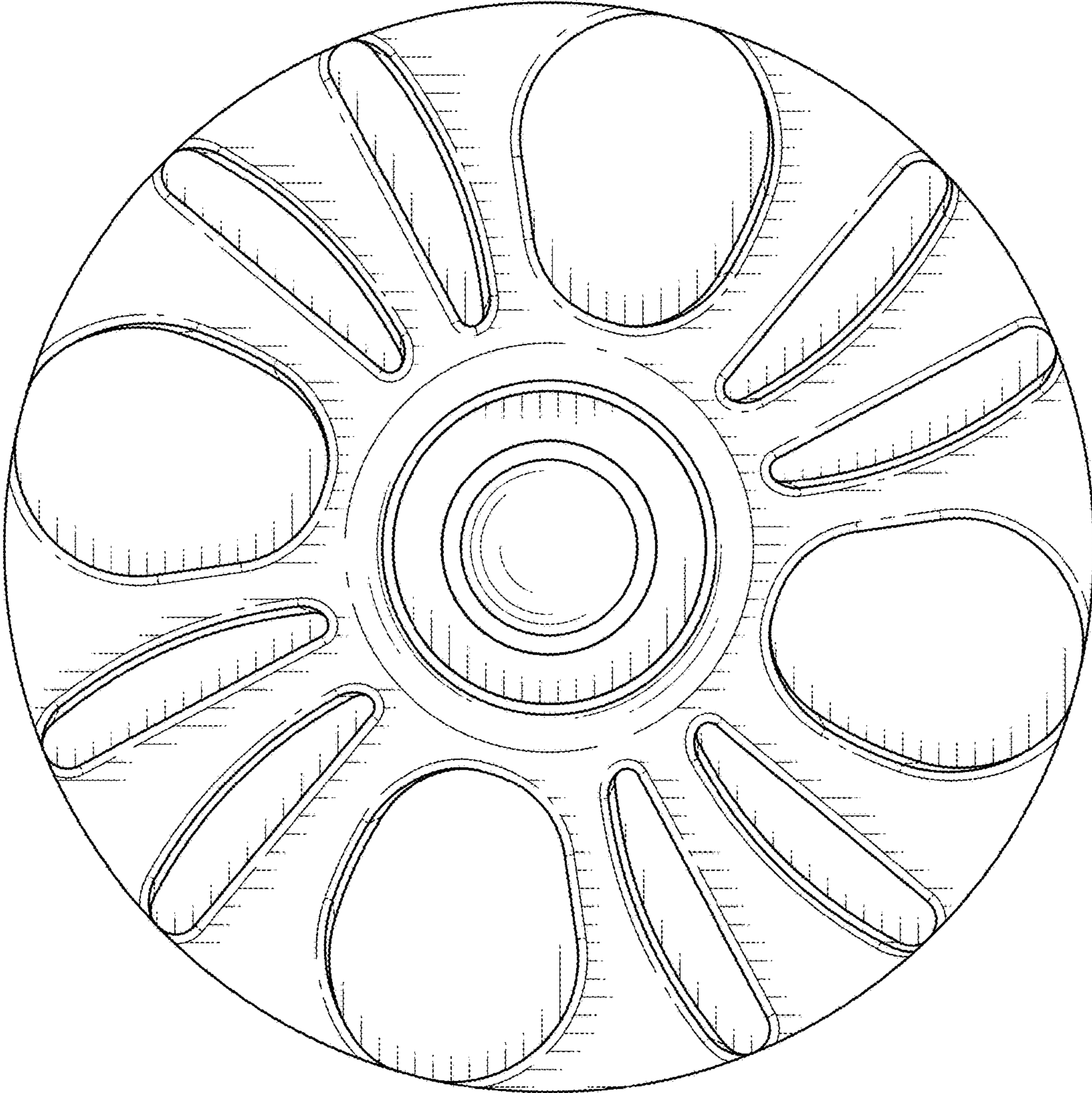


FIG. 4

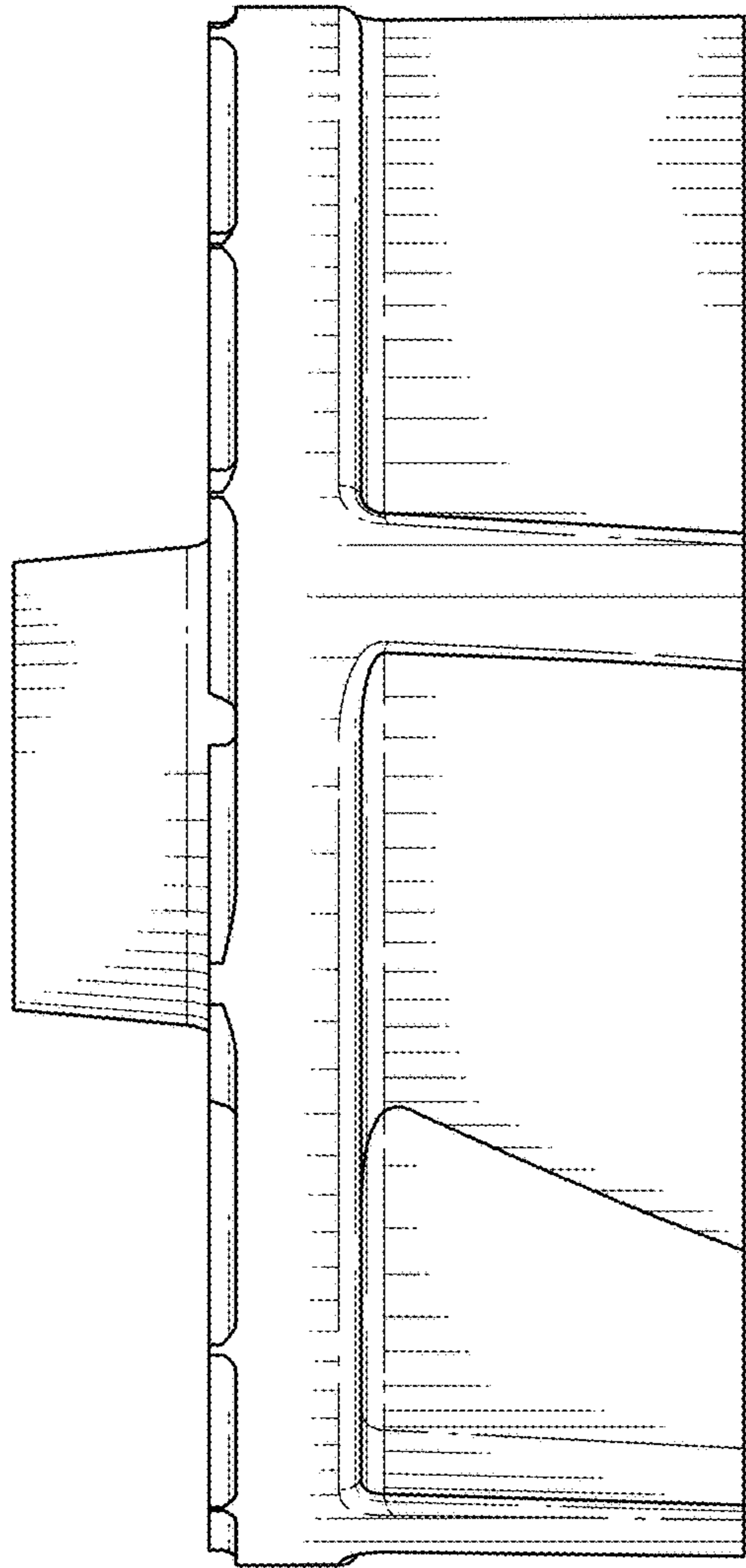


FIG. 5

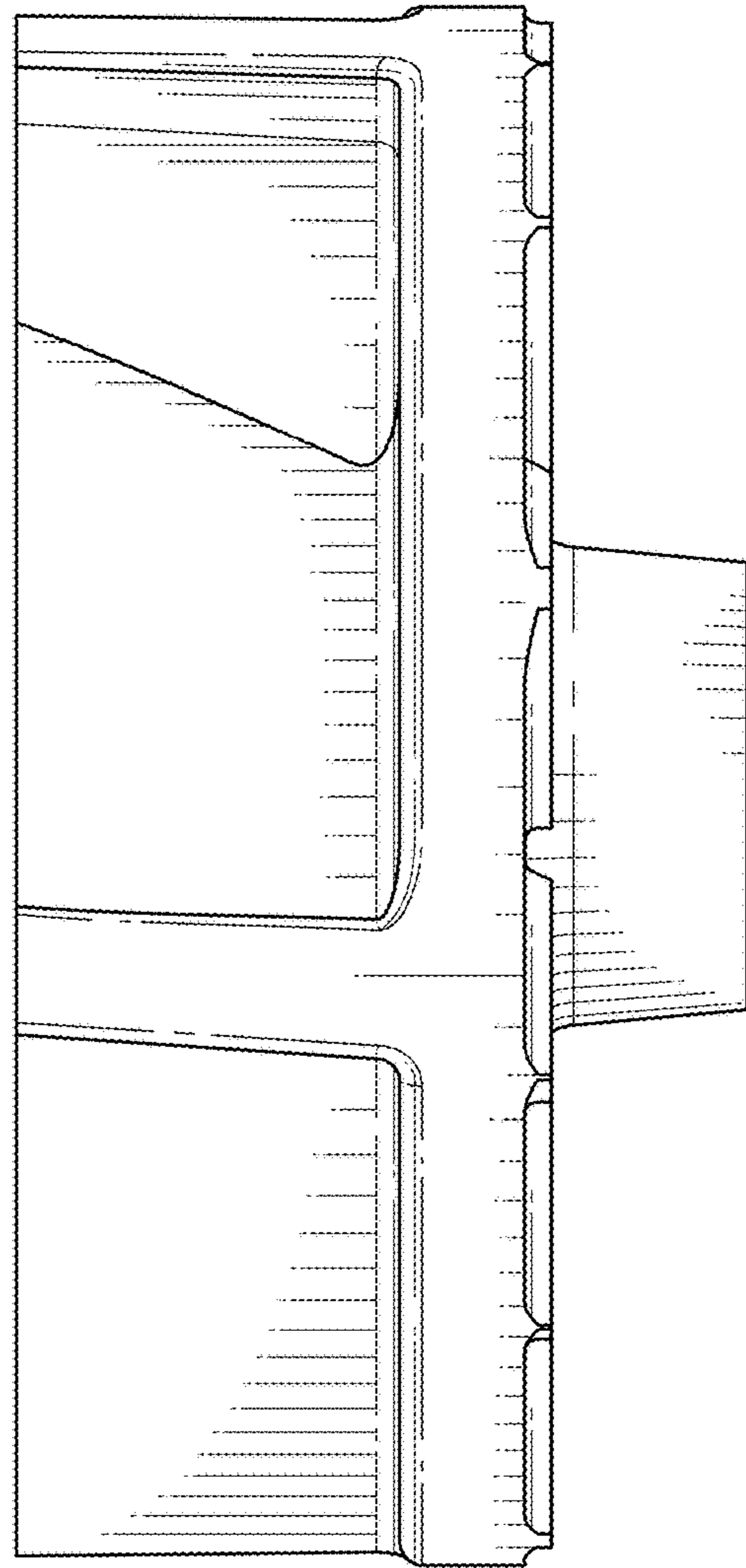


FIG. 6

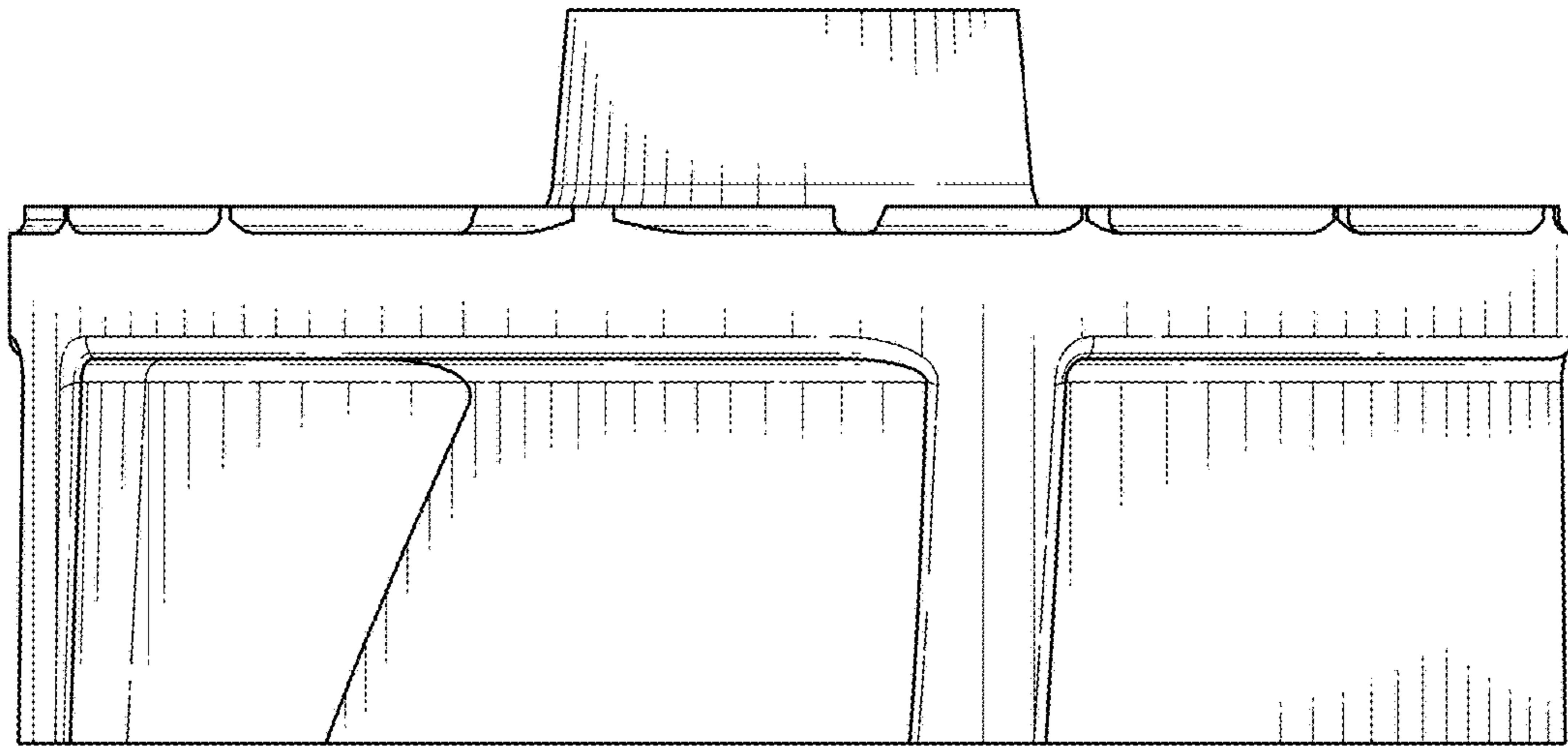


FIG. 7

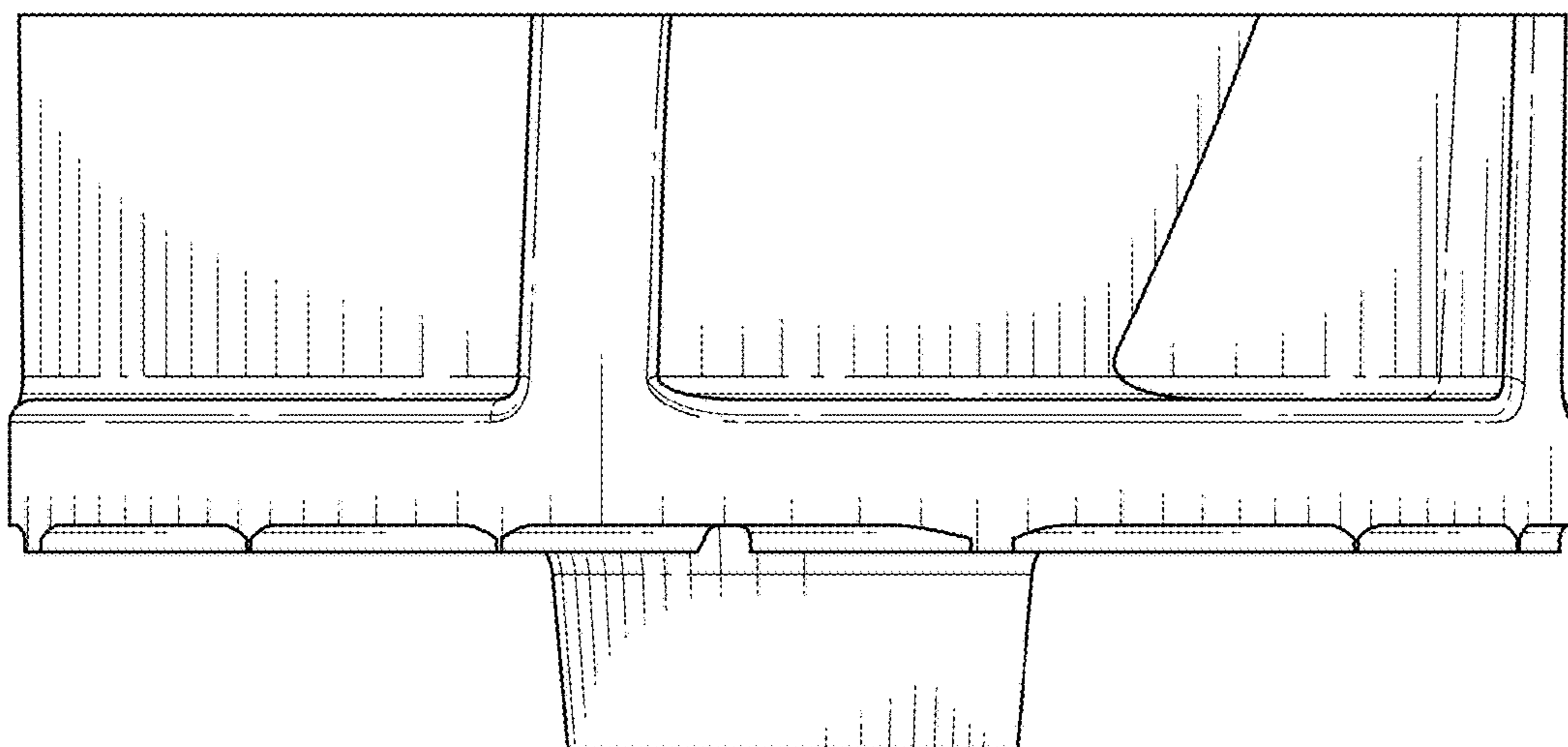


FIG. 8