



US00D810785S

(12) **United States Design Patent** (10) **Patent No.:** **US D810,785 S**  
**Alfes et al.** (45) **Date of Patent:** **\*\* Feb. 20, 2018**

(54) **CONCENTRIC SHOVELED MANIFOLD**  
 (71) Applicant: **SIEMENS AKTIENGESELLSCHAFT**, München (DE)  
 (72) Inventors: **Ludger Alfes**, Dorsten (DE); **Wolfgang Freund**, Gelsenkirchen (DE)  
 (73) Assignee: **SIEMENS AKTIENGESELLSCHAFT** (DE)  
 (\*\*) Term: **15 Years**  
 (21) Appl. No.: **29/532,395**  
 (22) Filed: **Jul. 7, 2015**

(30) **Foreign Application Priority Data**  
 Jan. 9, 2015 (EM) ..... 001427991  
 (51) **LOC (11) Cl.** ..... **15-01**  
 (52) **U.S. Cl.**  
 USPC ..... **D15/5**  
 (58) **Field of Classification Search**  
 USPC ..... D15/1-5, 122  
 CPC ..... F02M 35/104; F02M 35/10052; F02M 35/10078; F02M 35/112; F02M 35/10085; F02M 35/10091; F02M 31/00; F02M 31/04; F02M 31/042; F02M 31/045; F02M 31/047; F02M 35/116; F02M 31/093; F02M 35/10144; F02M 35/162; F02M 35/10039; F02M 35/10347; F02M 35/10334; F02M 35/10321; F02M 35/10098; F02M 35/10072; Y02T 10/146; F02B 37/16; F23D 3/00; F23D 3/16; F02C 7/04; F04D 29/4213; F04D 29/441; F04D 29/541; F04D 29/667

See application file for complete search history.

(56) **References Cited**  
 U.S. PATENT DOCUMENTS  
 3,584,973 A \* 6/1971 Lambiris ..... F01D 11/06 384/109  
 D729,855 S \* 5/2015 Johansson ..... D15/123  
 D730,419 S \* 5/2015 Pungetti ..... D15/199  
 D757,829 S \* 5/2016 Dallimore ..... D15/123  
 2008/0178571 A1\* 7/2008 So ..... F02C 3/30 60/39.55  
 2009/0208331 A1\* 8/2009 Haley ..... F04D 29/4213 415/191  
 2011/0194904 A1\* 8/2011 Carlson ..... F04B 49/22 406/12  
 2015/0053406 A1\* 2/2015 Armistead ..... E21B 17/18 166/302  
 2015/0345507 A1\* 12/2015 Koga ..... F04D 17/122 415/148

\* cited by examiner  
*Primary Examiner* — T. Chase Nelson  
*Assistant Examiner* — Ania Aman  
 (74) *Attorney, Agent, or Firm* — Schmeiser Olsen & Watts LLP

(57) **CLAIM**  
 The ornamental design for a concentric shoveled manifold, as shown and described.

**DESCRIPTION**  
 FIG. 1 is a front view of a concentric shoveled manifold showing the new design;  
 FIG. 2 is a rear view thereof;  
 FIG. 3 is a top view thereof;  
 FIG. 4 is a bottom view thereof;  
 FIG. 5 is a right elevational view thereof;  
 FIG. 6 is a left elevational view thereof; and,  
 FIG. 7 is a perspective view thereof.

**1 Claim, 7 Drawing Sheets**

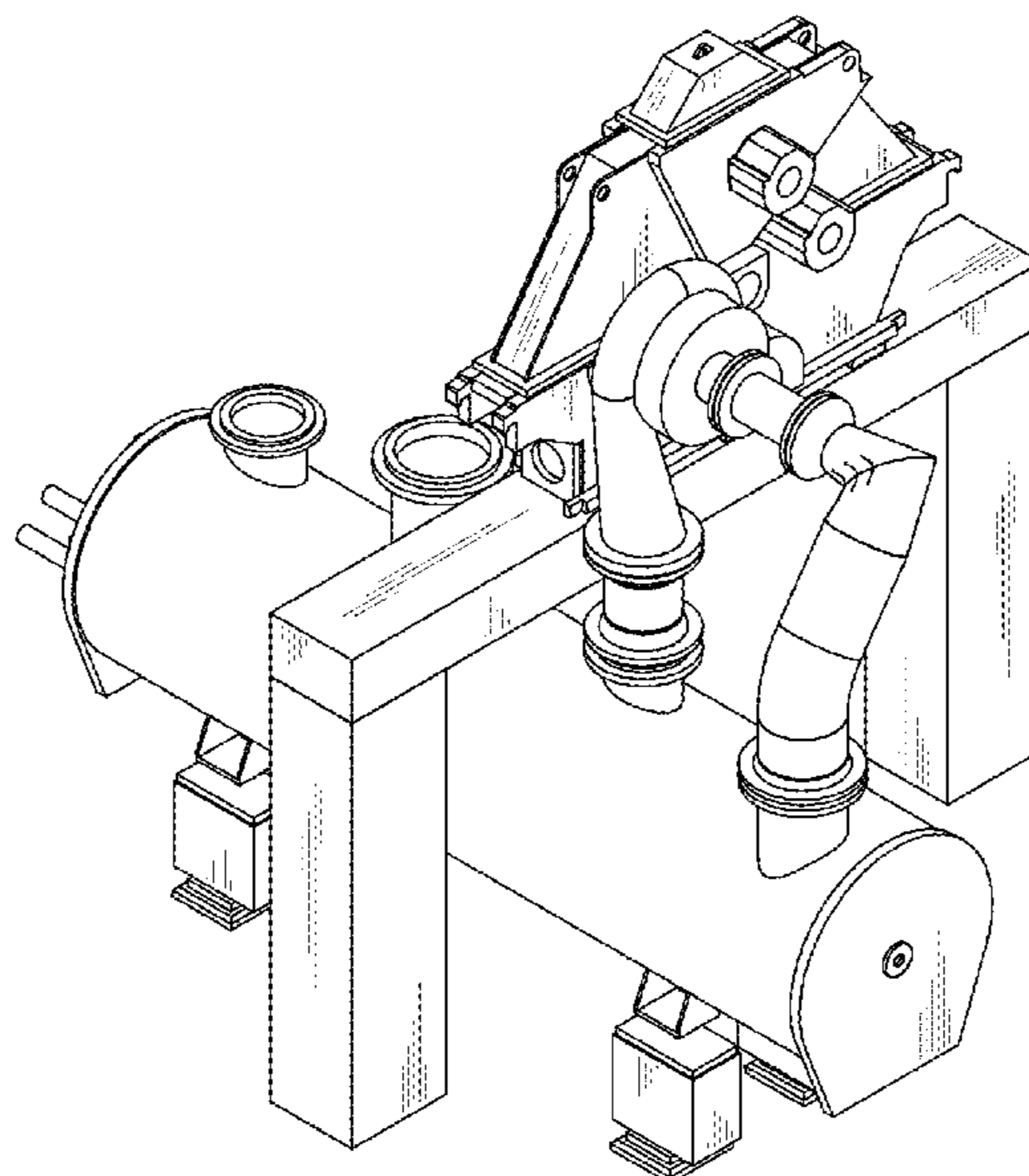


FIG. 1

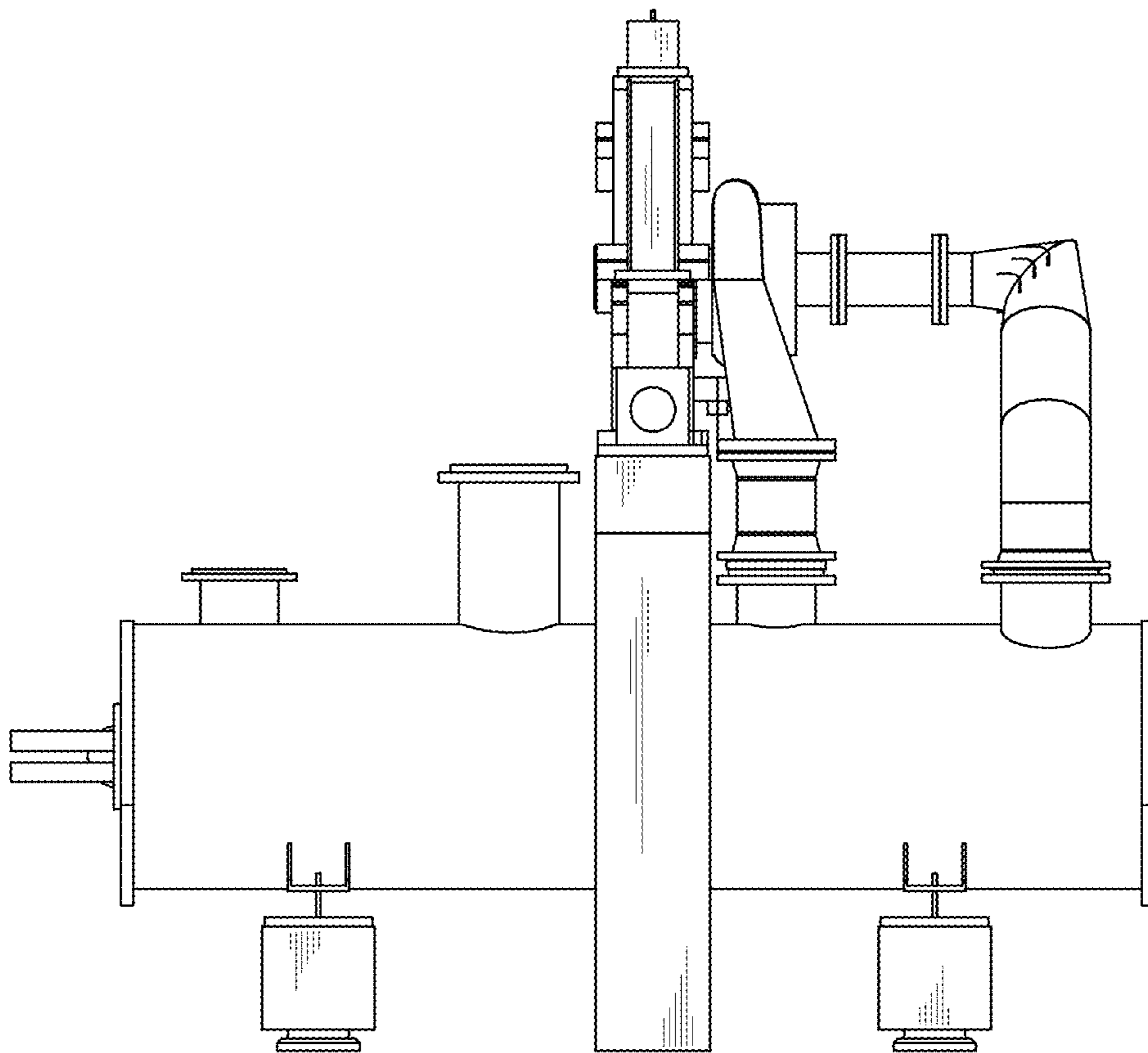


FIG 2

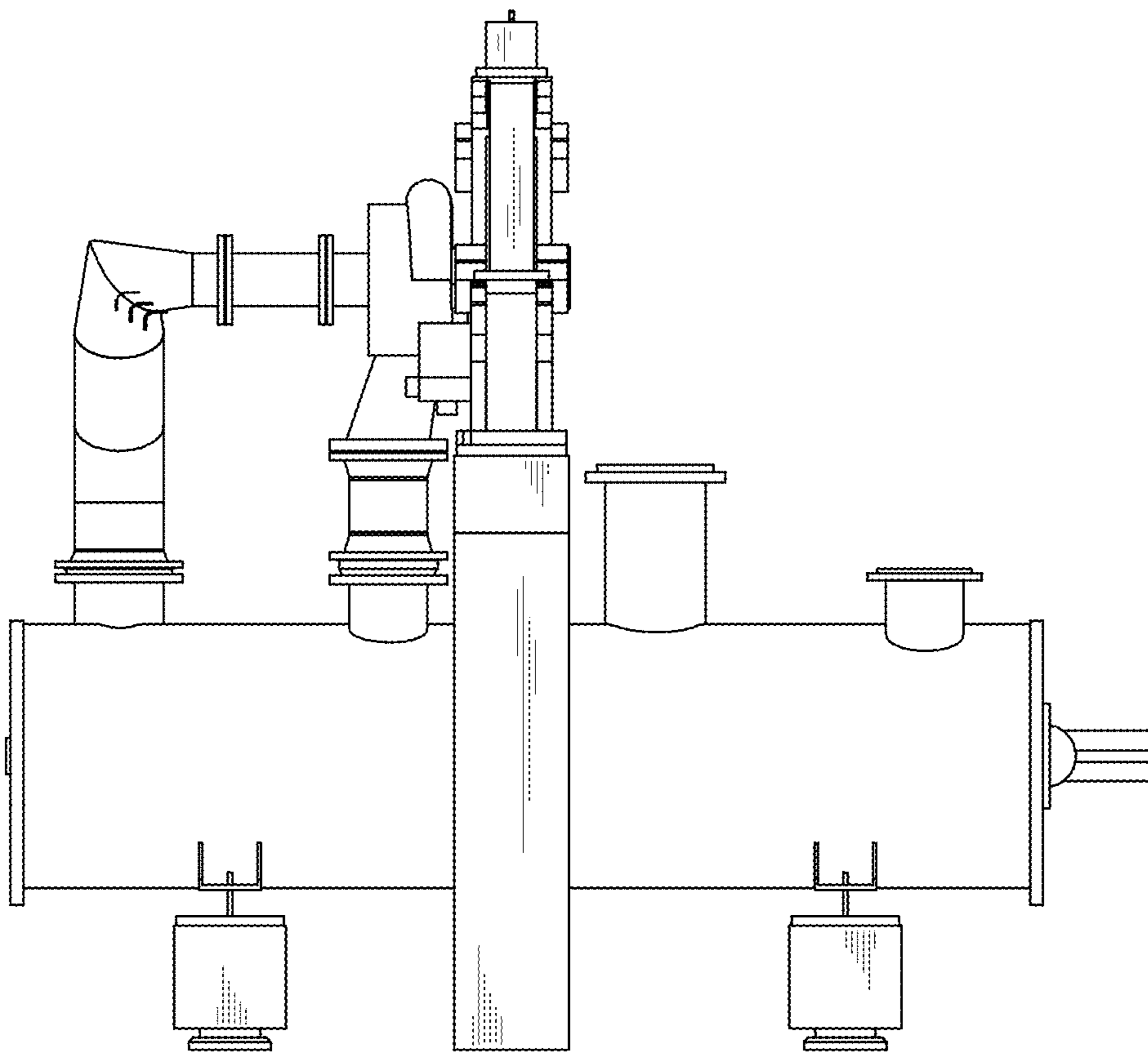


FIG 3

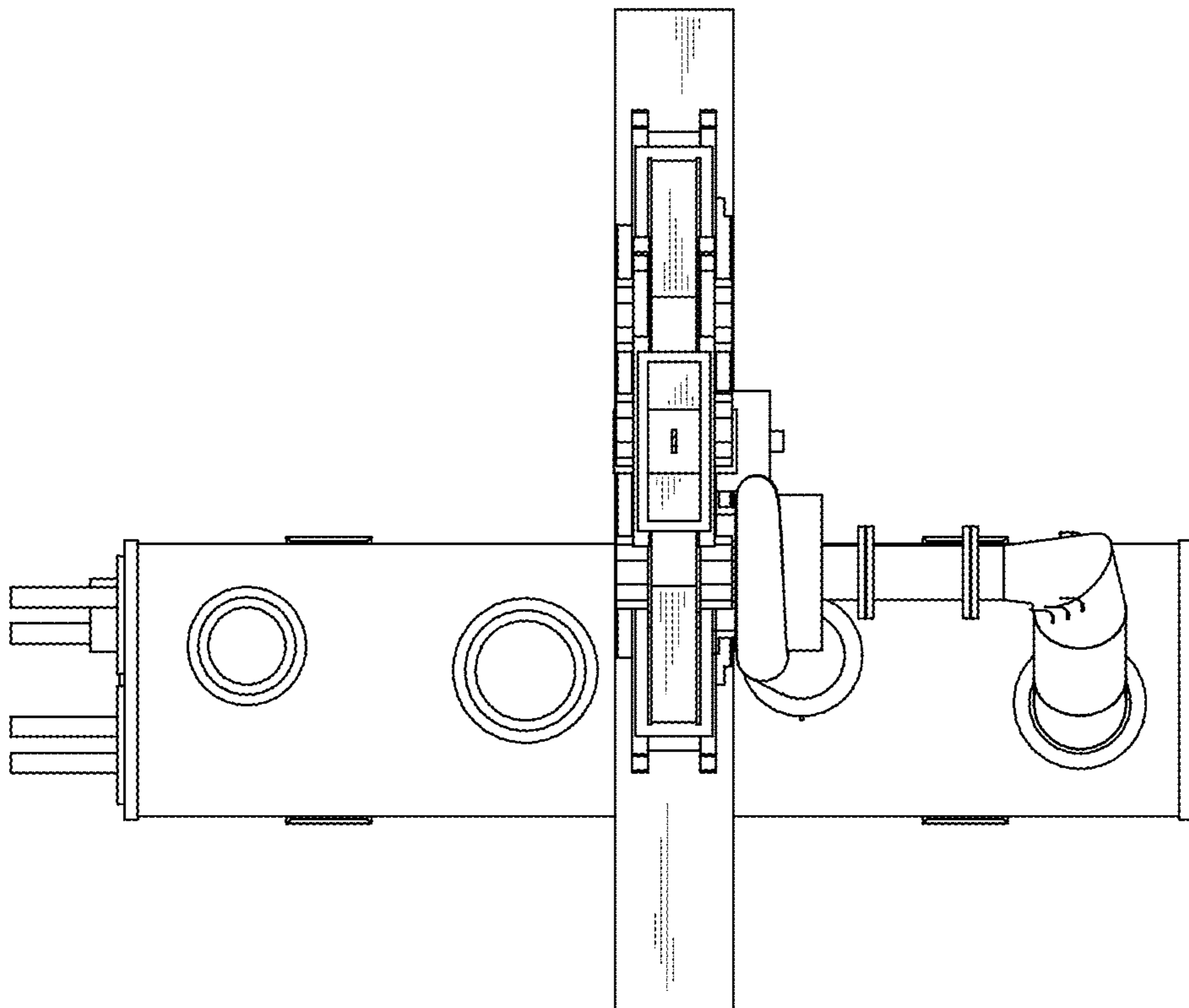


FIG 4

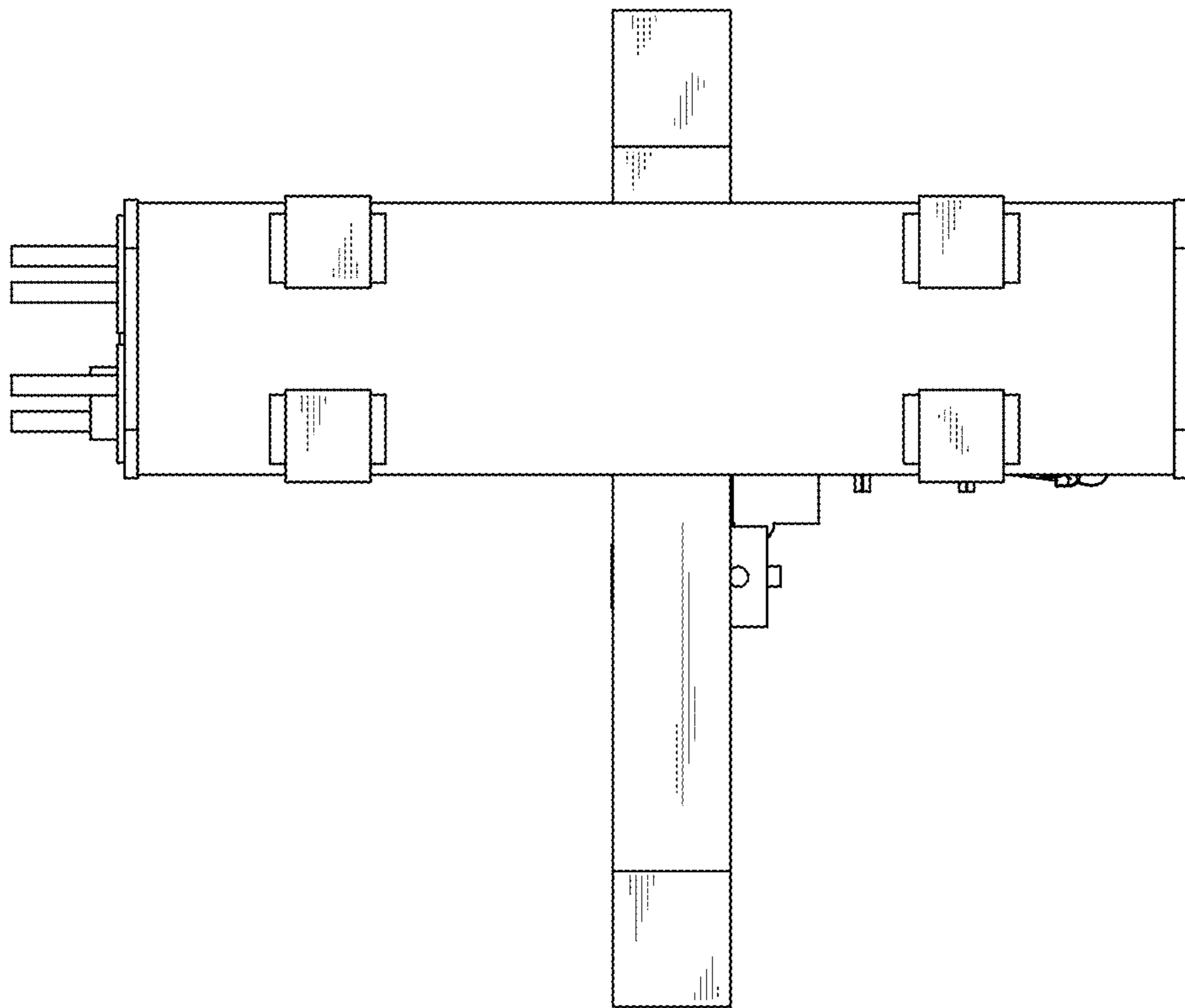


FIG 5

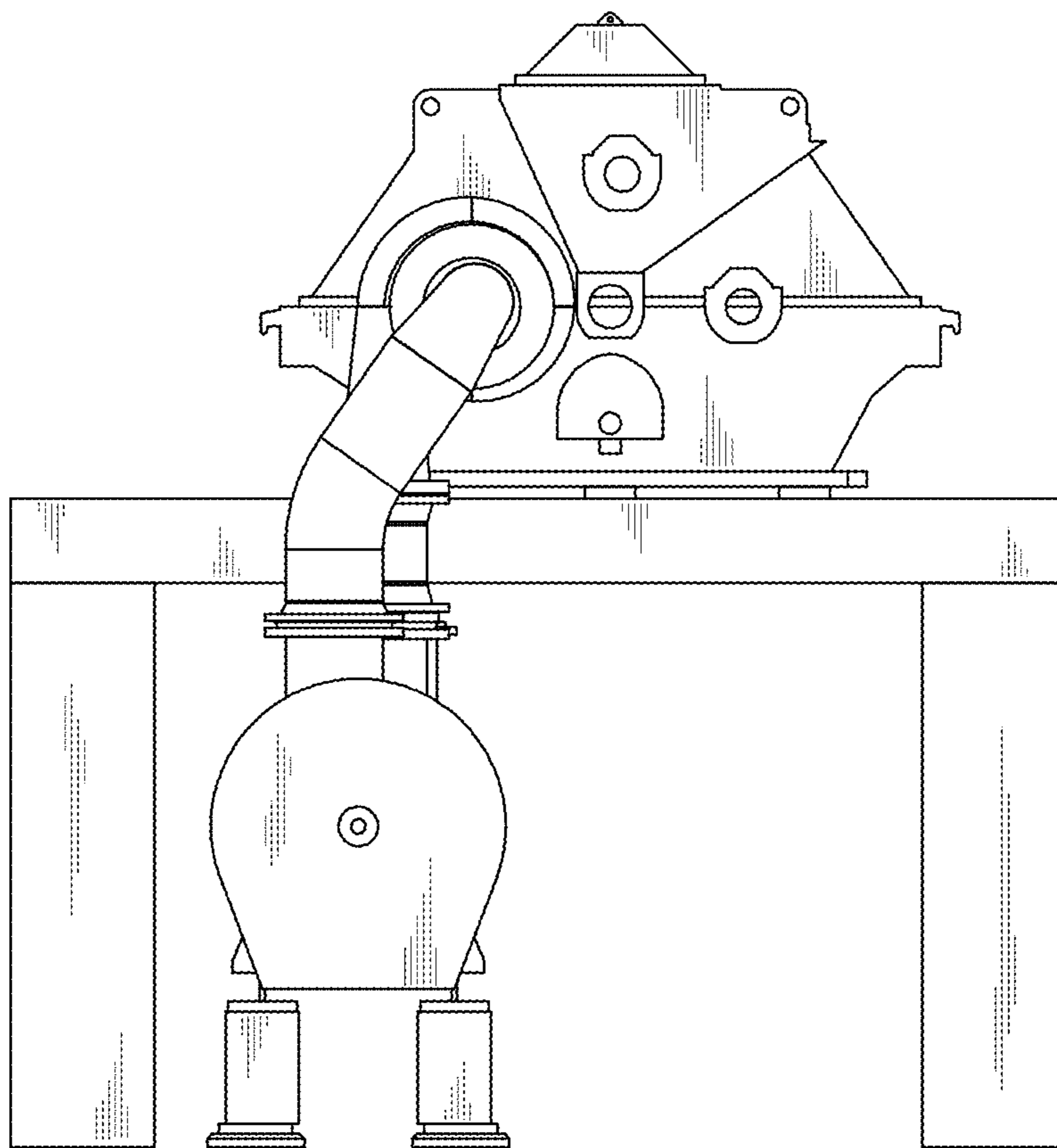


FIG 6

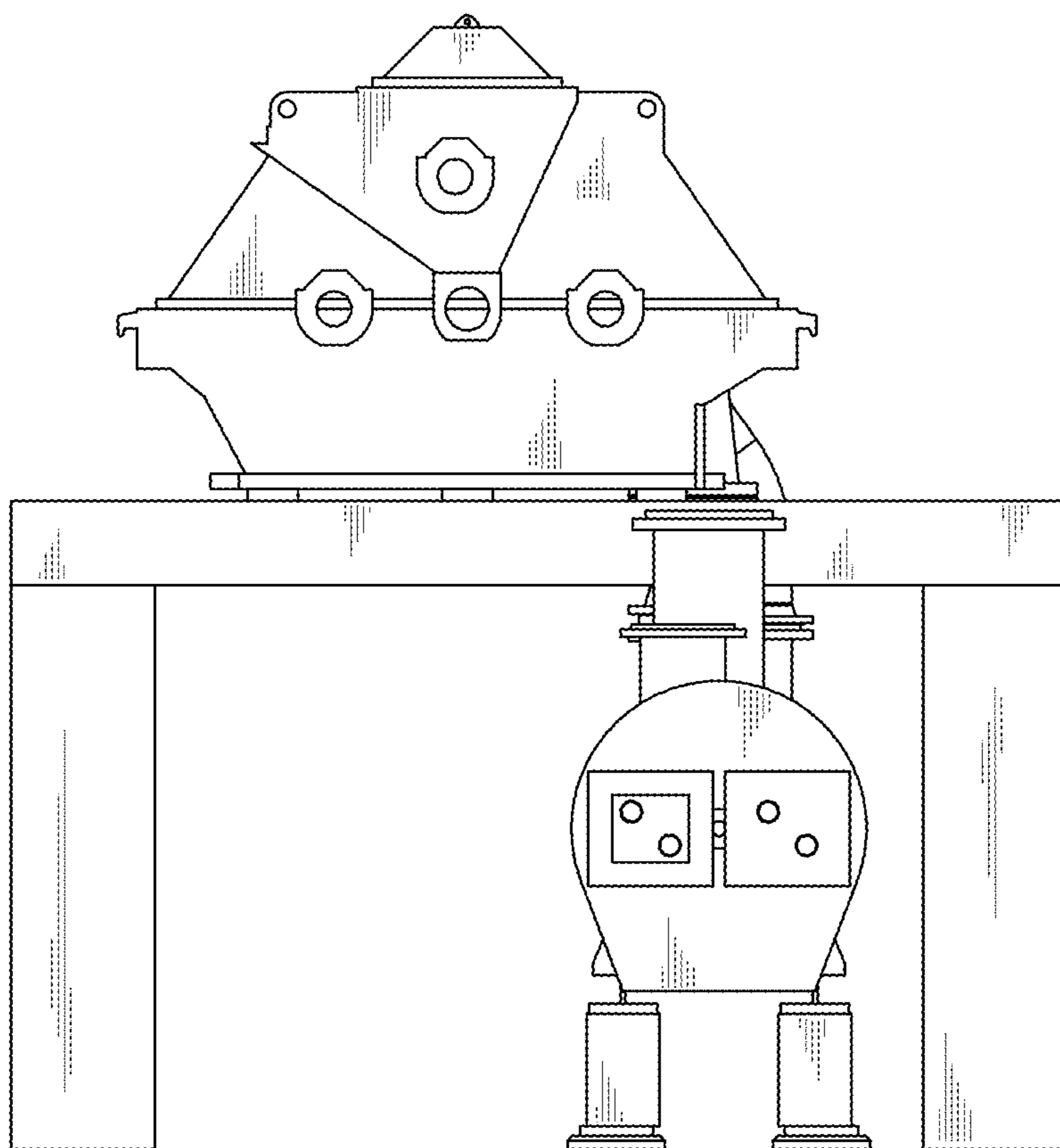


FIG 7

