



US00D810784S

(12) **United States Design Patent**
Hong

(10) **Patent No.:** **US D810,784 S**

(45) **Date of Patent:** **** Feb. 20, 2018**

(54) **ELECTRIC MOTOR**

(71) Applicant: **Siemens Aktiengesellschaft**, Munich
(DE)

(72) Inventor: **Wei Hong**, Shanghai (CN)

(**) Term: **15 Years**

(21) Appl. No.: **29/579,344**

(22) Filed: **Sep. 29, 2016**

(30) **Foreign Application Priority Data**

Mar. 31, 2016 (CN) 2016 3 0103339

(51) **LOC (11) Cl.** **15-01**

(52) **U.S. Cl.**
USPC **D15/1**

(58) **Field of Classification Search**
USPC D15/1-6; D13/101, 110, 123, 133, 146,
D13/147, 154, 162, 164, 184, 199, 112,
D13/113, 114

CPC H05K 7/20845; H05K 7/20872; H05K
7/20927; H02K 11/33; H02K 5/18

See application file for complete search history.

(56) **References Cited**

U.S. PATENT DOCUMENTS

D467,541 S *	12/2002	Hemphill	D13/114
D548,696 S *	8/2007	Pourkermani	D13/114
D563,870 S *	3/2008	Naghshineh	D13/114
D574,325 S *	8/2008	Naghshineh	D13/114
D618,615 S *	6/2010	Basic	D13/114
D680,493 S *	4/2013	Basic	D13/114
D716,226 S *	10/2014	Lau	D13/112
D716,227 S *	10/2014	Lau	D13/112
D721,098 S *	1/2015	Shinkawa	D15/1

D721,099 S *	1/2015	Shinkawa	D15/1
D773,995 S *	12/2016	Jabaji	D13/112
2013/0207490 A1 *	8/2013	Spearman	F02N 11/04 310/48
2014/0125154 A1 *	5/2014	Vanderelli	H02K 21/24 310/44
2015/0042189 A1 *	2/2015	Osborne	H02K 13/10 310/63
2016/0006325 A1 *	1/2016	Grabner	H02K 9/06 310/62
2016/0056681 A1 *	2/2016	Major	H02K 11/33 310/64
2016/0160961 A1 *	6/2016	Biro	F16H 57/029 74/414
2016/0329760 A1 *	11/2016	Major	H02K 1/18

* cited by examiner

Primary Examiner — T. Chase Nelson

Assistant Examiner — Ania Aman

(74) *Attorney, Agent, or Firm* — Schiff Hardin LLP

(57) **CLAIM**

The ornamental design for an electric motor, as shown and described.

DESCRIPTION

FIG. 1 is a front elevational view of an electric motor showing our new design;
FIG. 2 is a back elevational view thereof;
FIG. 3 is a top plan view thereof;
FIG. 4 is a bottom plan view thereof;
FIG. 5 is a side elevational view of the right side thereof;
FIG. 6 is a side elevational view of the left side thereof;
FIG. 7 is a perspective view taken generally from the top, front, left-hand side thereof; and,
FIG. 8 is a perspective view taken generally from the top, back, left-hand side thereof.

1 Claim, 8 Drawing Sheets

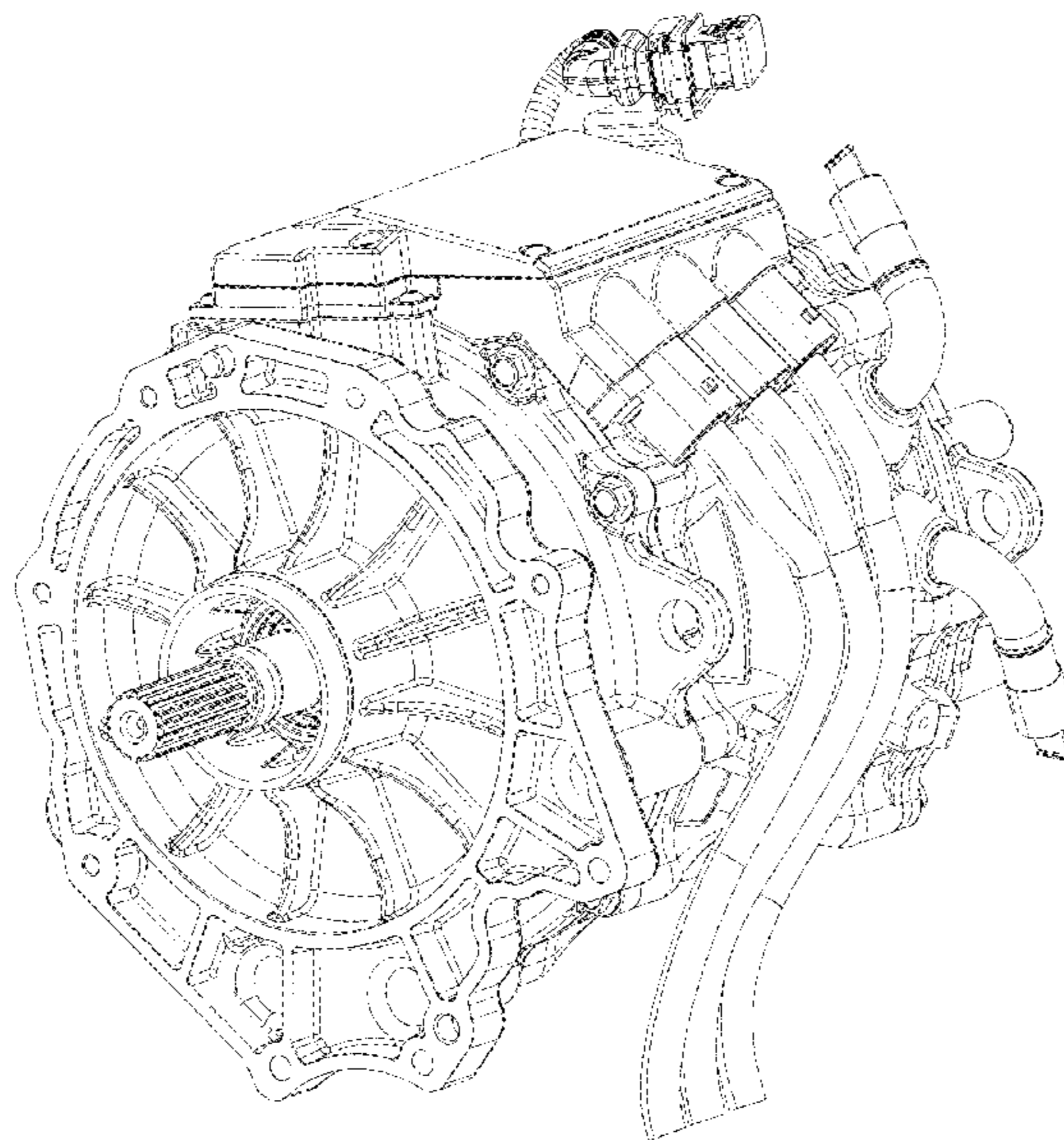


FIG 1

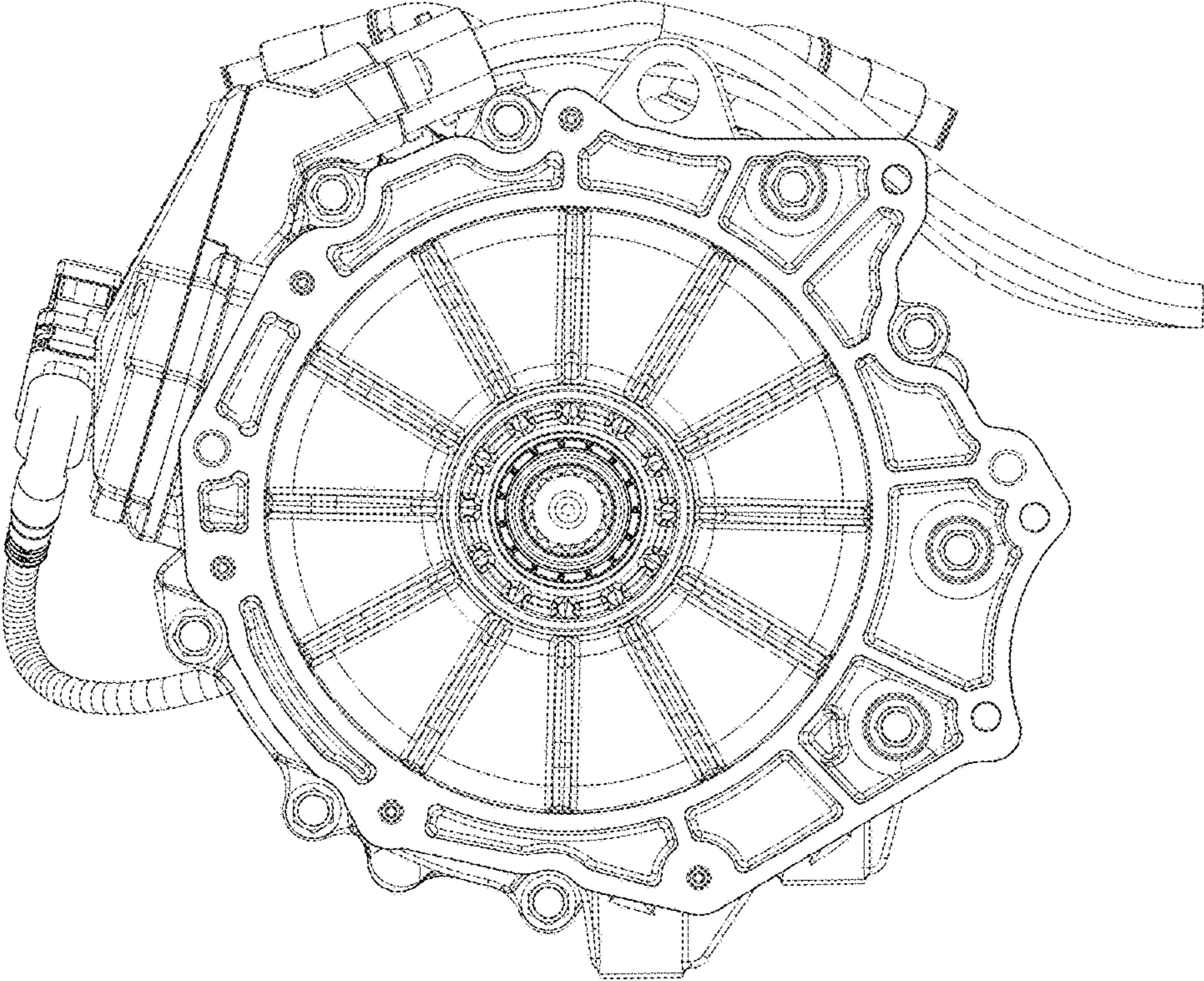


FIG 2

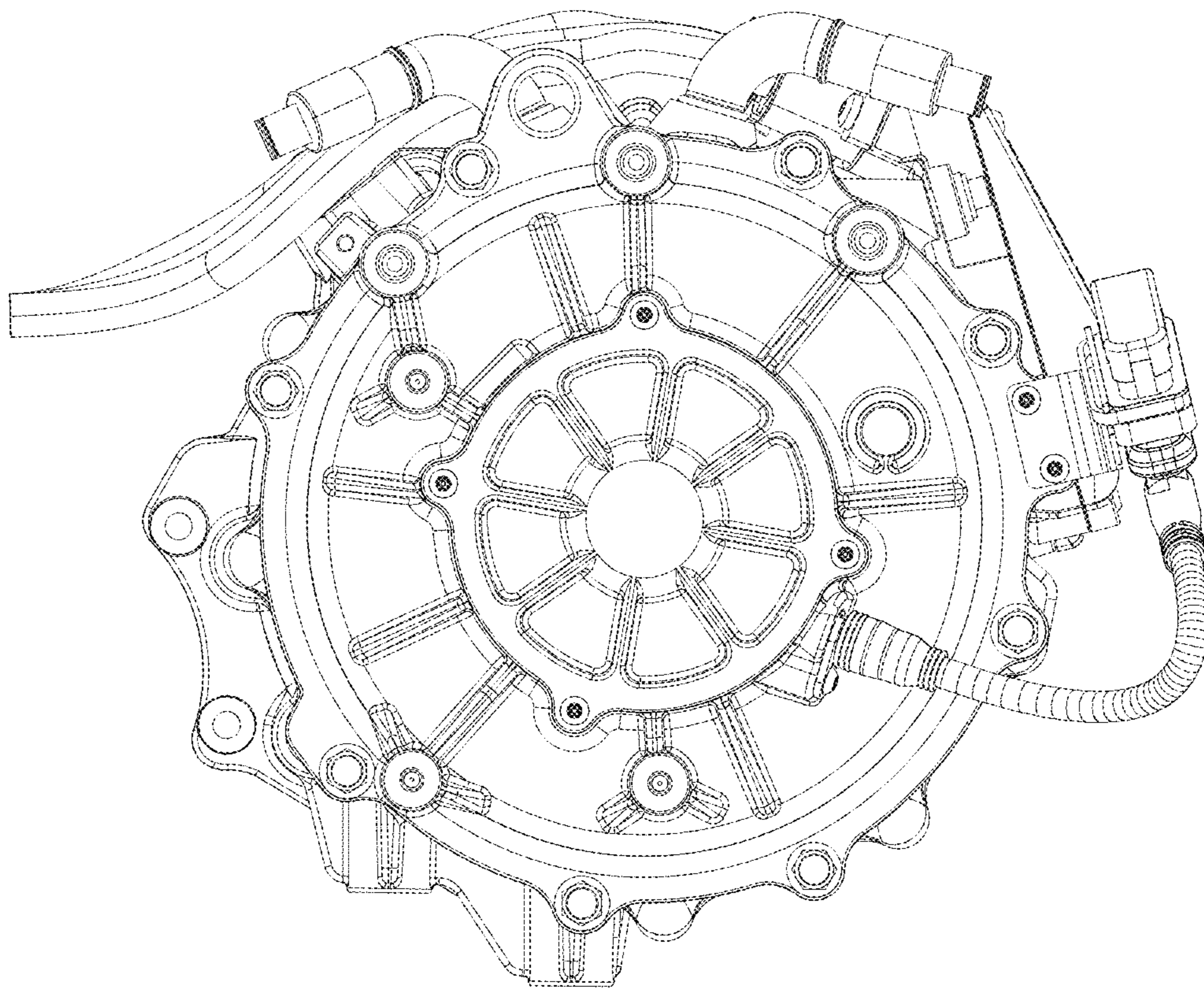


FIG 3

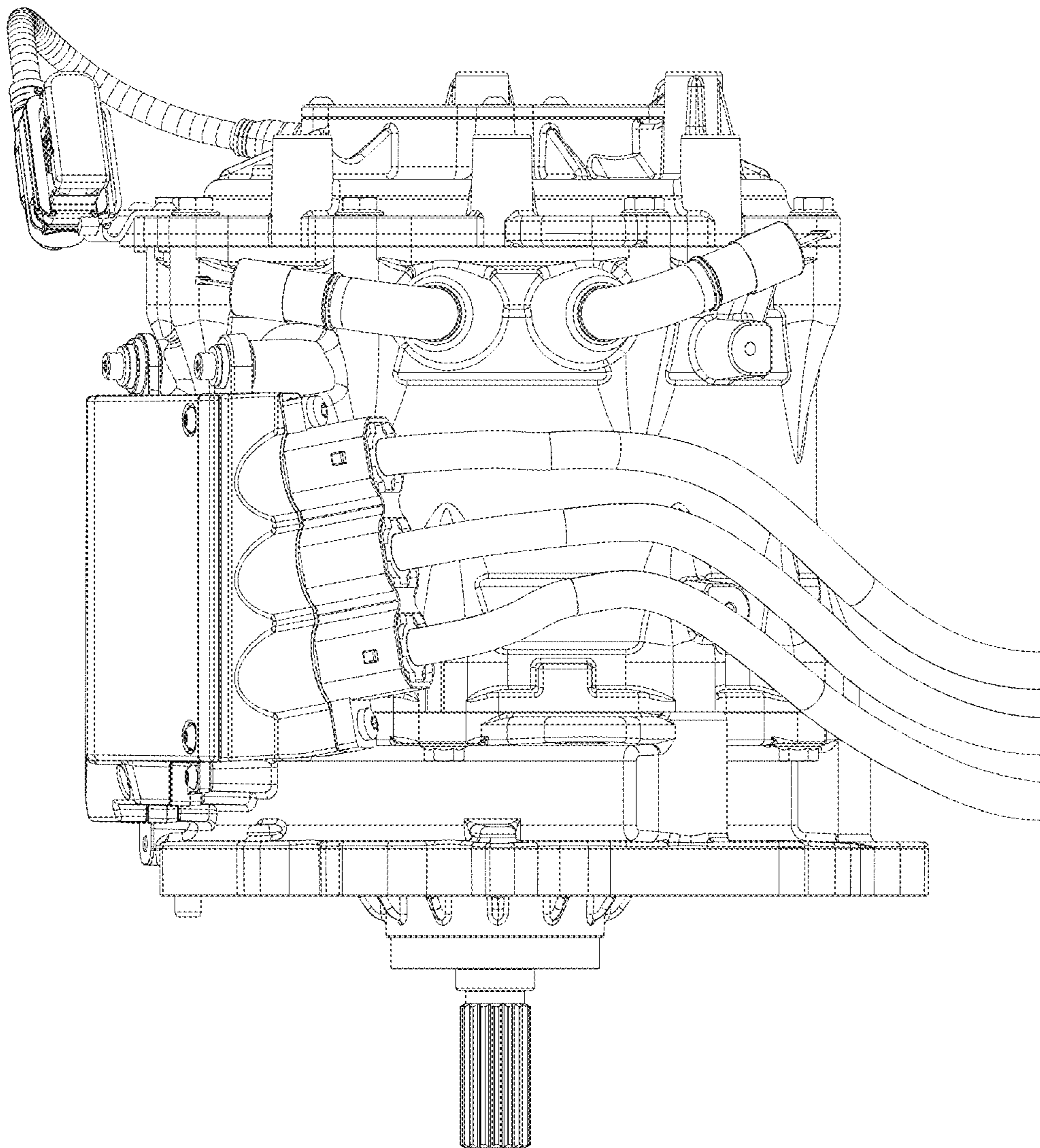


FIG 4

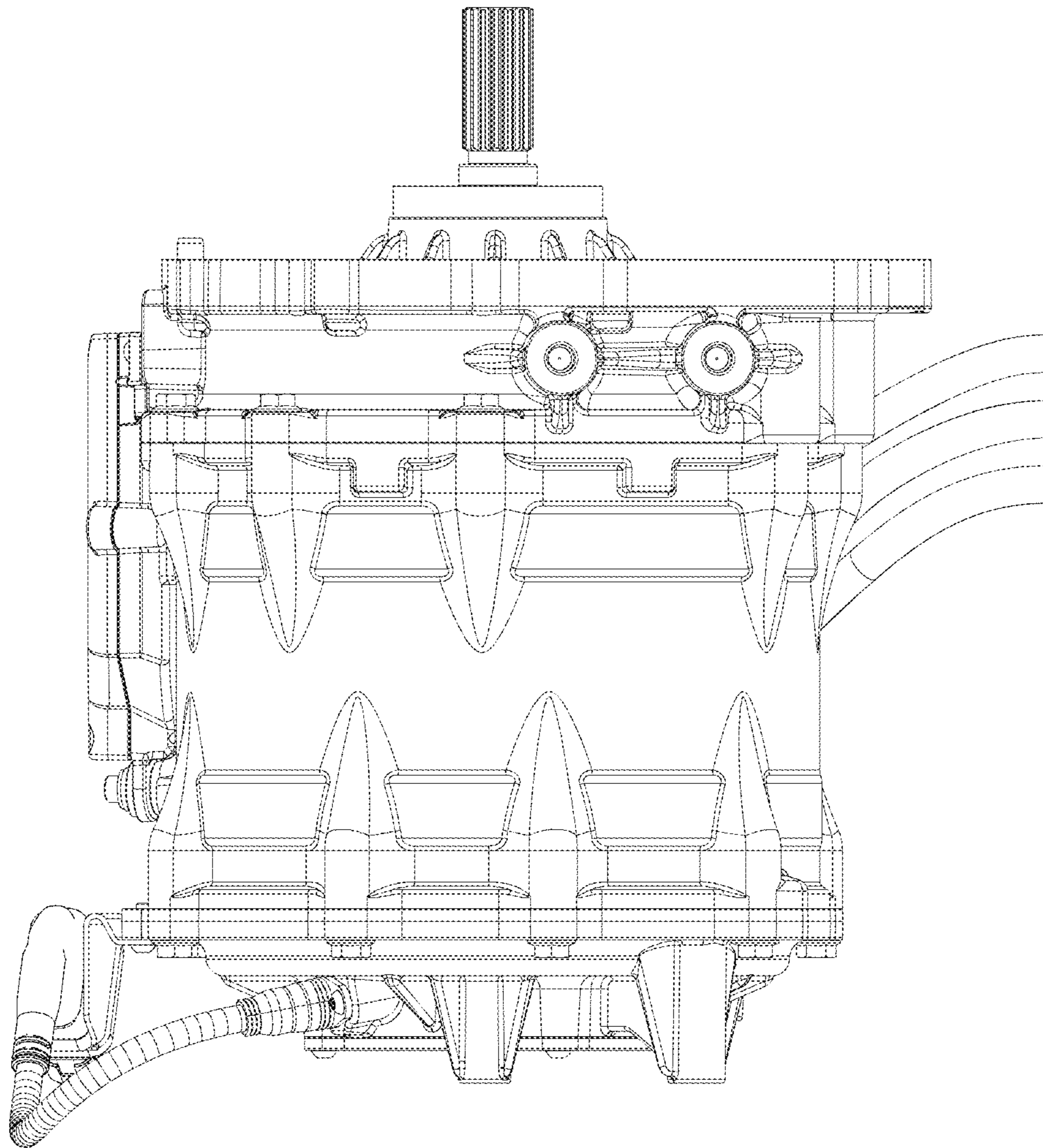


FIG 5

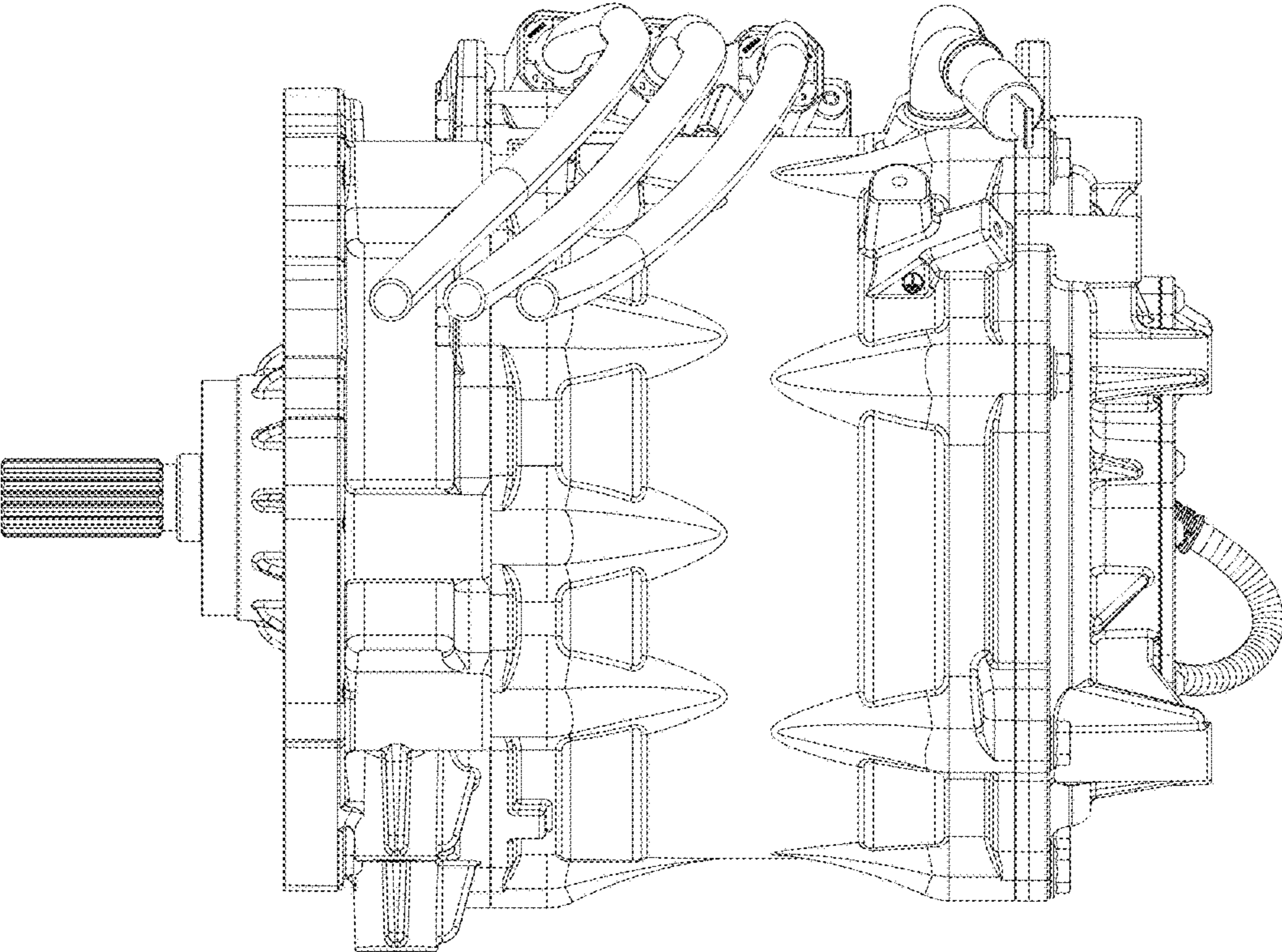


FIG 6

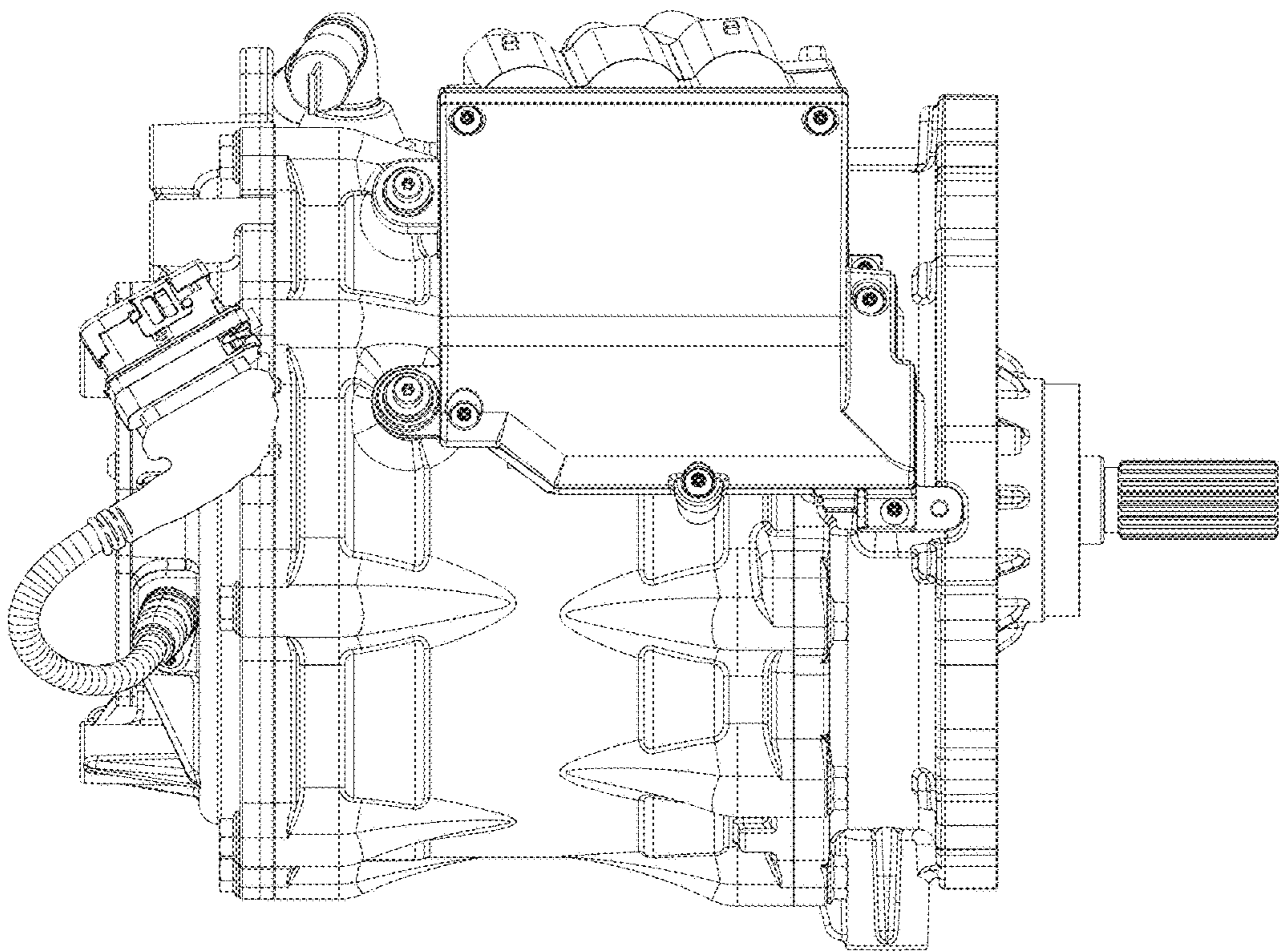


FIG 7

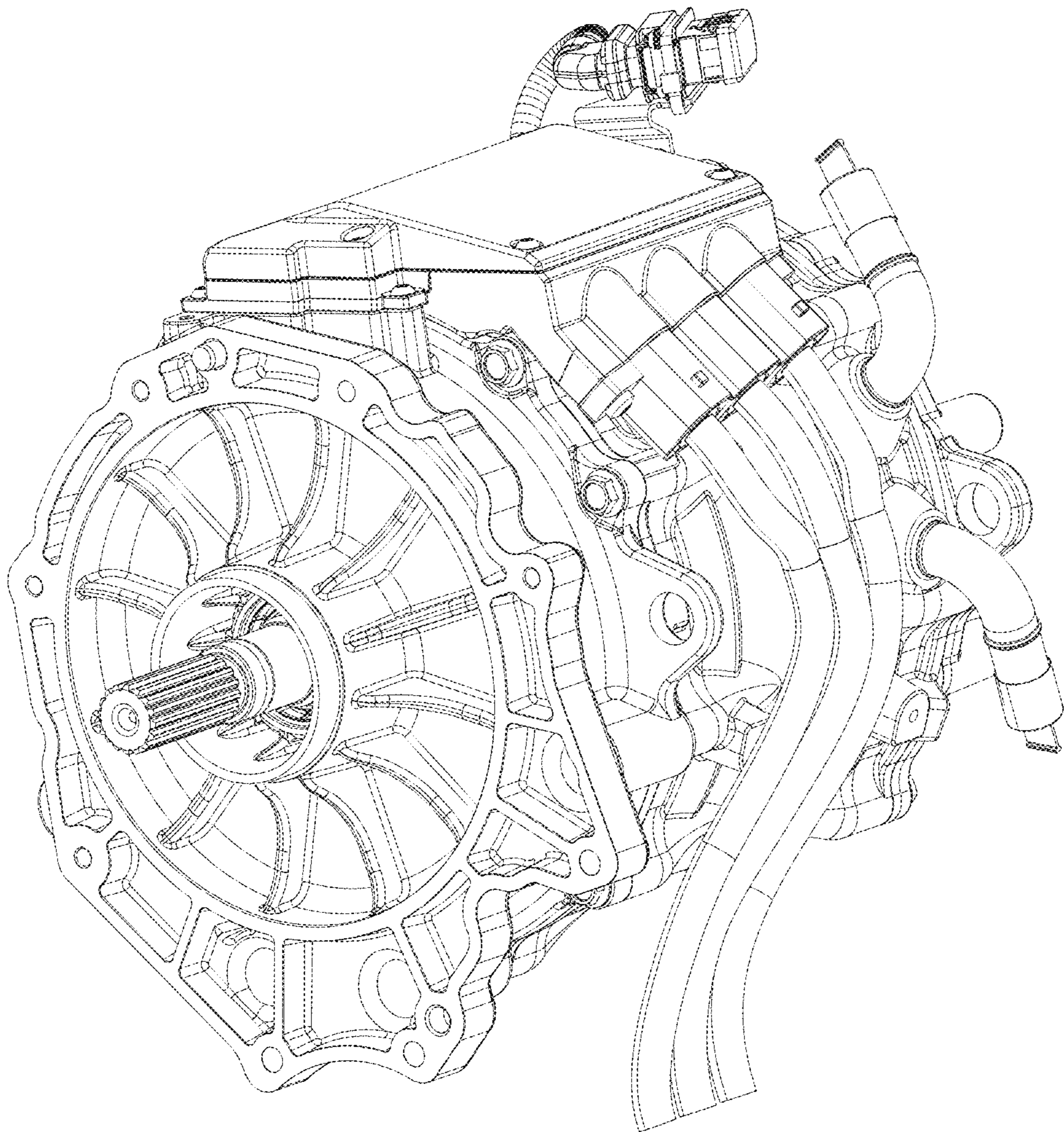


FIG 8

