

US00D810751S

(12) **United States Design Patent**
Aryeh

(10) **Patent No.:** **US D810,751 S**

(45) **Date of Patent:** **** Feb. 20, 2018**

- (54) **PLUSH TABLET CASE**
- (71) Applicant: **All My Toys, LLC**, New York, NY (US)
- (72) Inventor: **Alexandra Aryeh**, New York, NY (US)
- (73) Assignee: **ALL MY TOYS, LLC**, New York, NY (US)
- (**) Term: **15 Years**
- (21) Appl. No.: **29/574,425**
- (22) Filed: **Aug. 15, 2016**
- (51) **LOC (11) Cl.** **14-02**
- (52) **U.S. Cl.**
USPC **D14/440**
- (58) **Field of Classification Search**
USPC D14/440, 250, 447; 206/45.23, 320, 206/45.2; 361/679.55; 294/25
CPC G06F 1/1628; G06F 1/1626; G06F 1/669; A47B 23/044; H04B 1/3888
See application file for complete search history.

| | | | | |
|--------------|---------|---------|-------|---------|
| D719,575 S * | 12/2014 | Elliott | | D14/440 |
| D719,957 S * | 12/2014 | Elliott | | D14/440 |
| D722,058 S * | 2/2015 | Elliott | | D14/440 |
| D732,043 S * | 6/2015 | Elliott | | D14/440 |
| D752,055 S | 3/2016 | Aryeh | | |
| D760,232 S * | 6/2016 | Akana | | D14/440 |

* cited by examiner

Primary Examiner — Cynthia Underwood

(74) *Attorney, Agent, or Firm* — Gottlieb, Rackman & Reisman, PC

(57) **CLAIM**

The ornamental design for a plush tablet case, as shown and described.

DESCRIPTION

FIG. 1 is a front perspective view of an embodiment of a plush tablet case showing my new design;
 FIG. 2 is a front view thereof;
 FIG. 3 is a rear view thereof;
 FIG. 4 is a right side view thereof;
 FIG. 5 is a left side view thereof;
 FIG. 6 is a top view thereof;
 FIG. 7 is a bottom view thereof;
 FIG. 8 is a first rear perspective view thereof; and,
 FIG. 9 is a second rear perspective view thereof.

The broken lines shown in the drawings are included for the purpose of illustrating portions of the article that form no part of the claimed design.

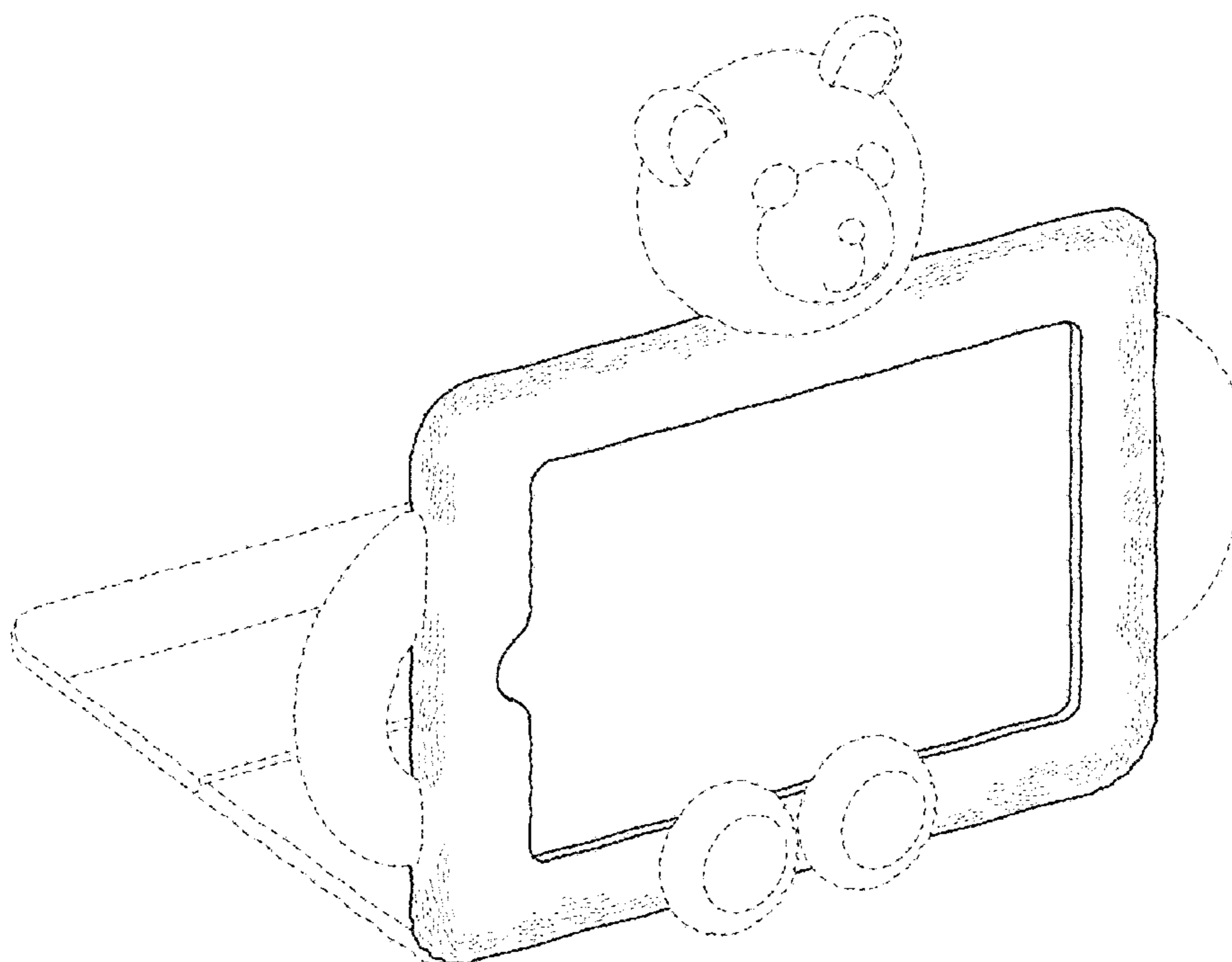
The shading included in the drawings depicts texturing of plush features of the case.

1 Claim, 6 Drawing Sheets

(56) **References Cited**

U.S. PATENT DOCUMENTS

| | | | | |
|--------------|---------|----------|-------|---------|
| D495,705 S * | 9/2004 | Borsboom | | D14/371 |
| D591,249 S * | 4/2009 | Chen | | D14/126 |
| D686,608 S * | 7/2013 | Yueh | | D14/250 |
| D699,235 S * | 2/2014 | Yueh | | D14/250 |
| D699,236 S * | 2/2014 | Yueh | | D14/250 |
| D699,237 S * | 2/2014 | Yueh | | D14/250 |
| D714,773 S * | 10/2014 | Derrig | | D14/253 |



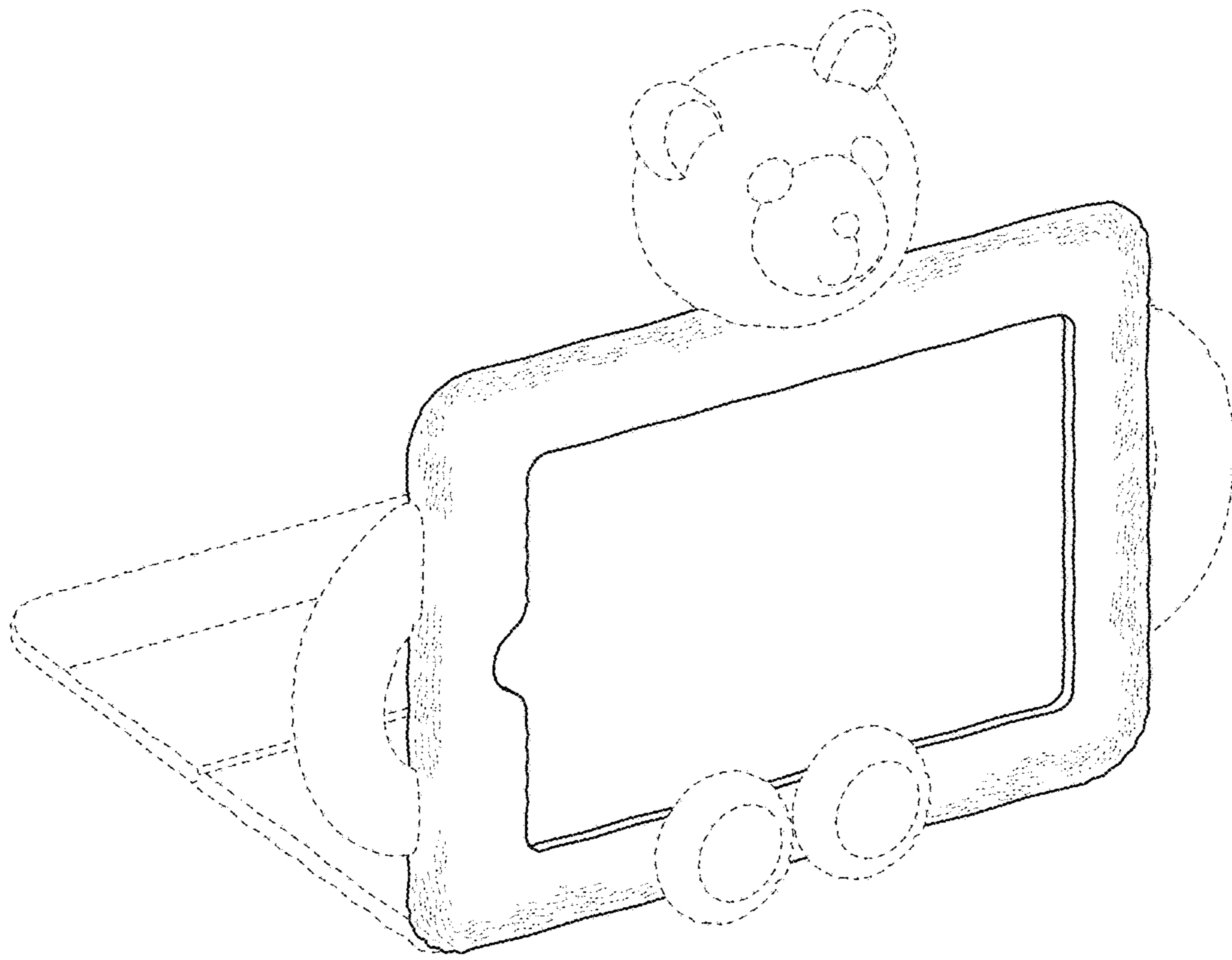


FIG. 1

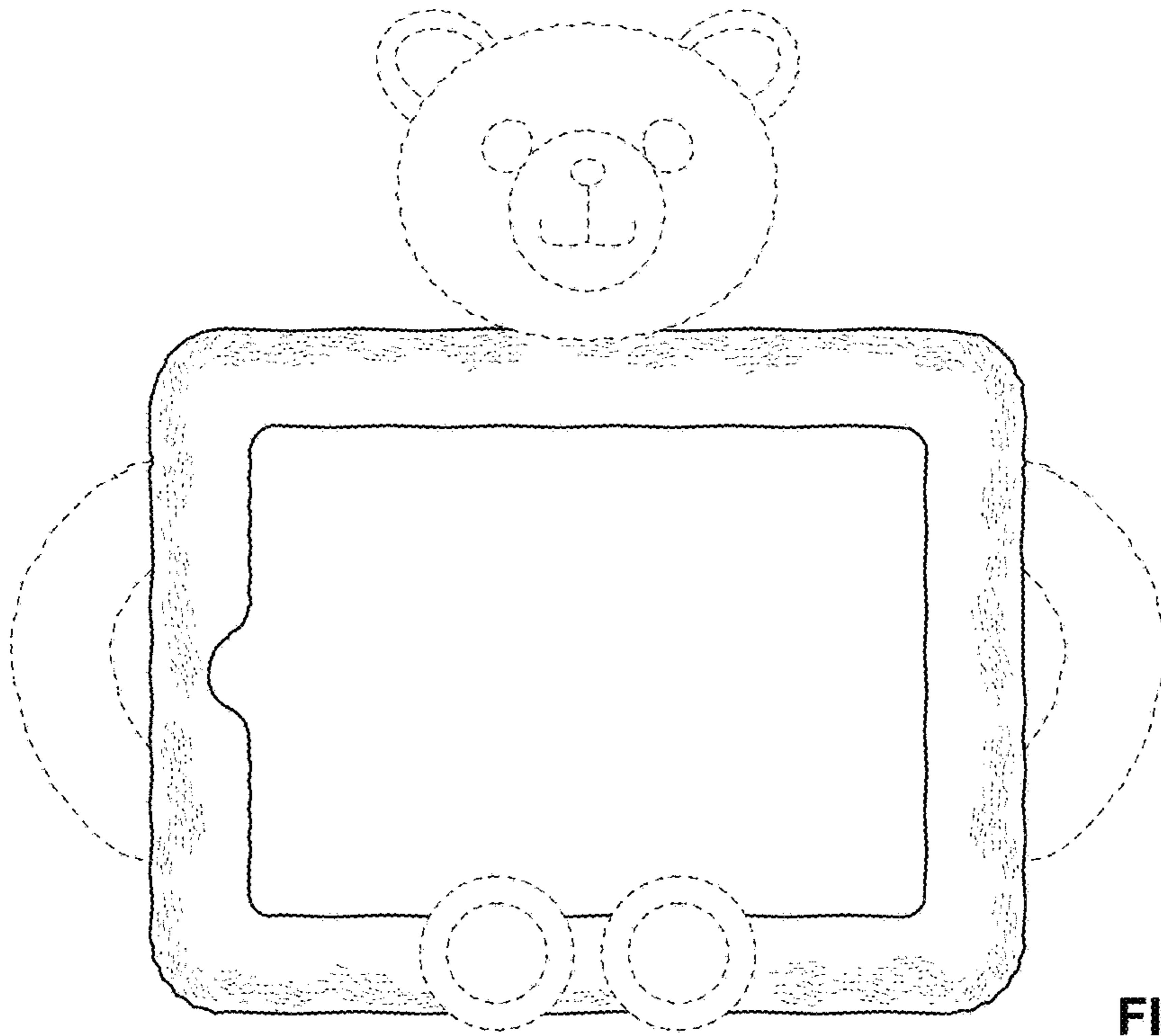


FIG. 2

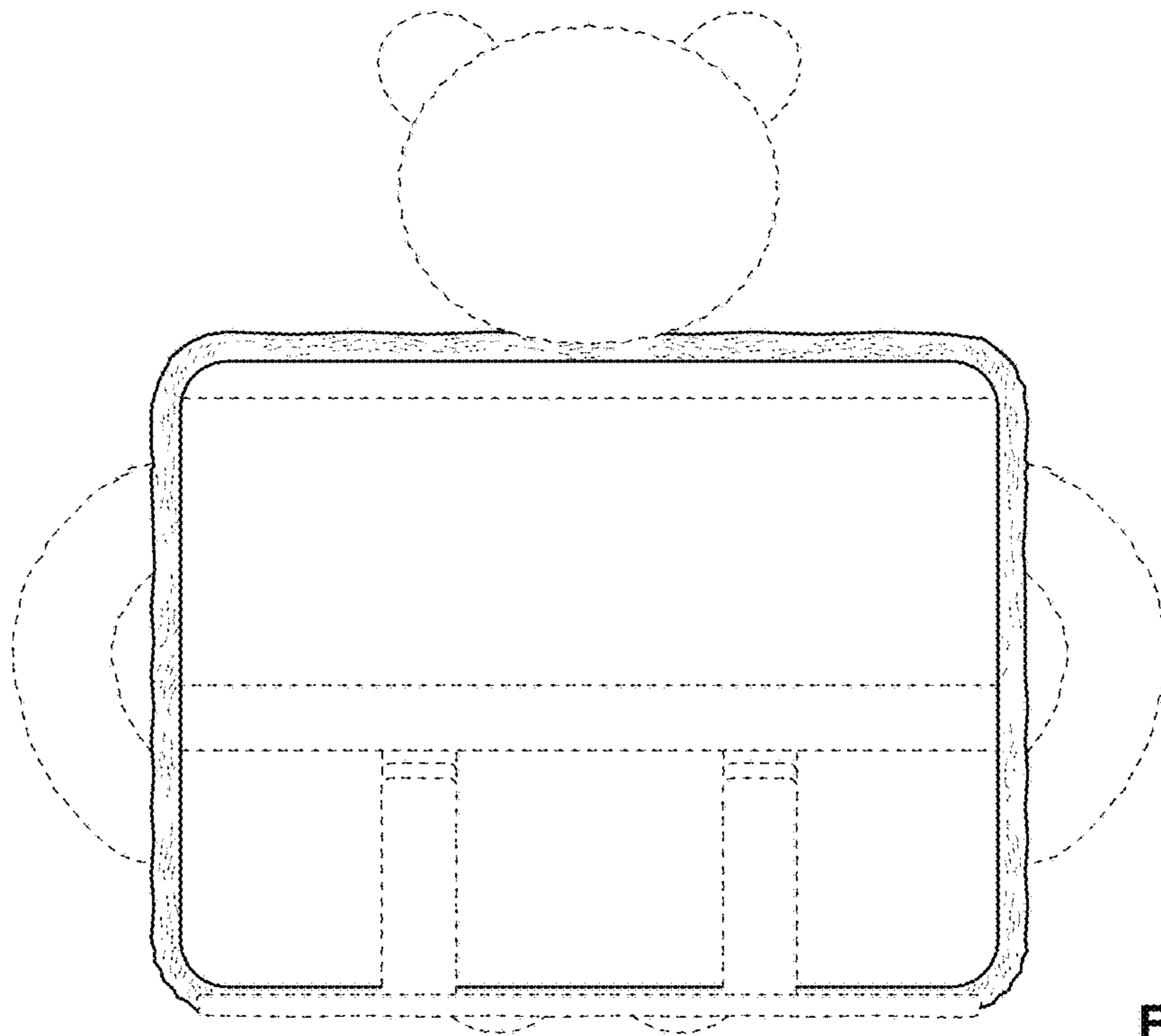


FIG. 3

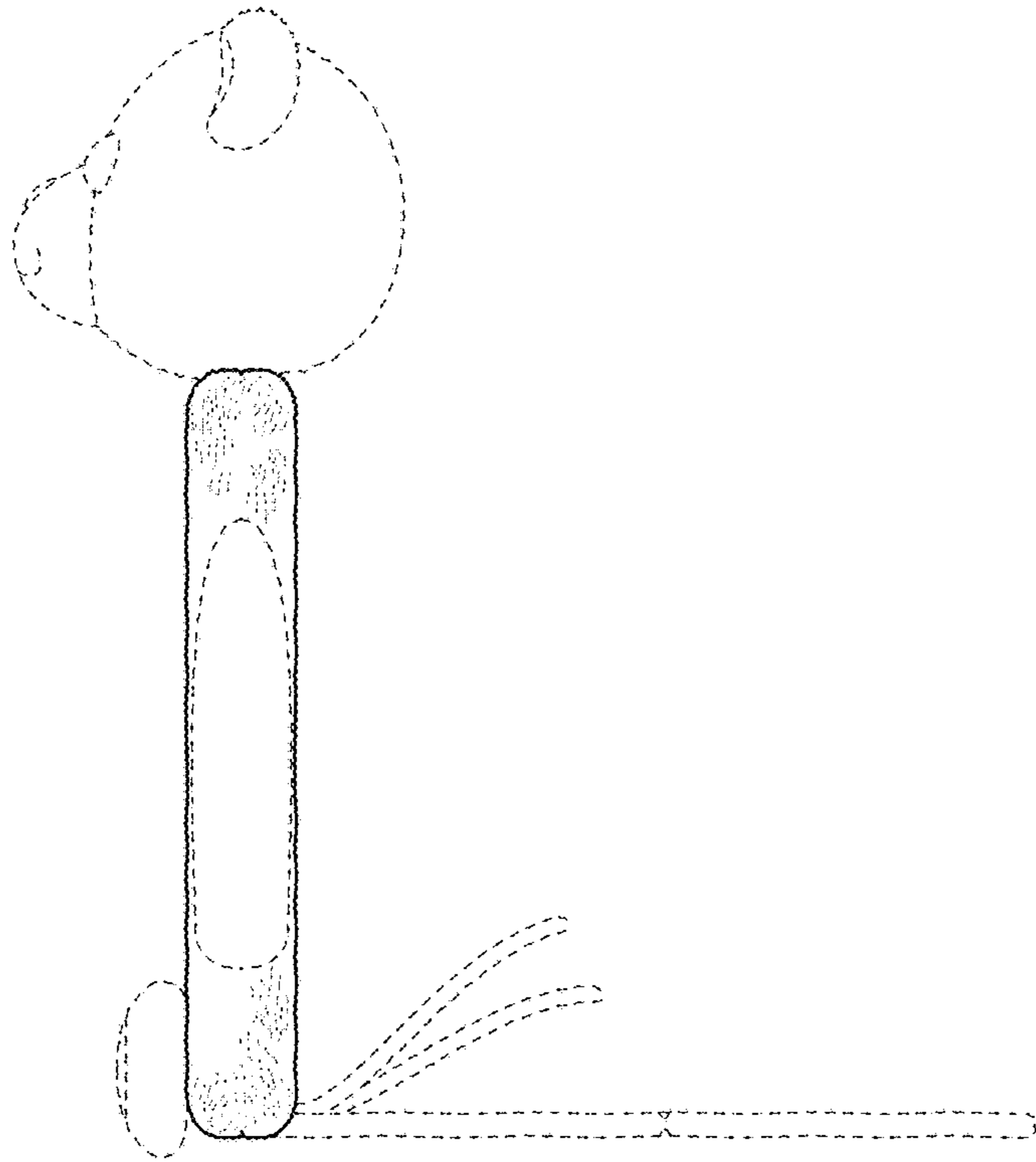


FIG. 4

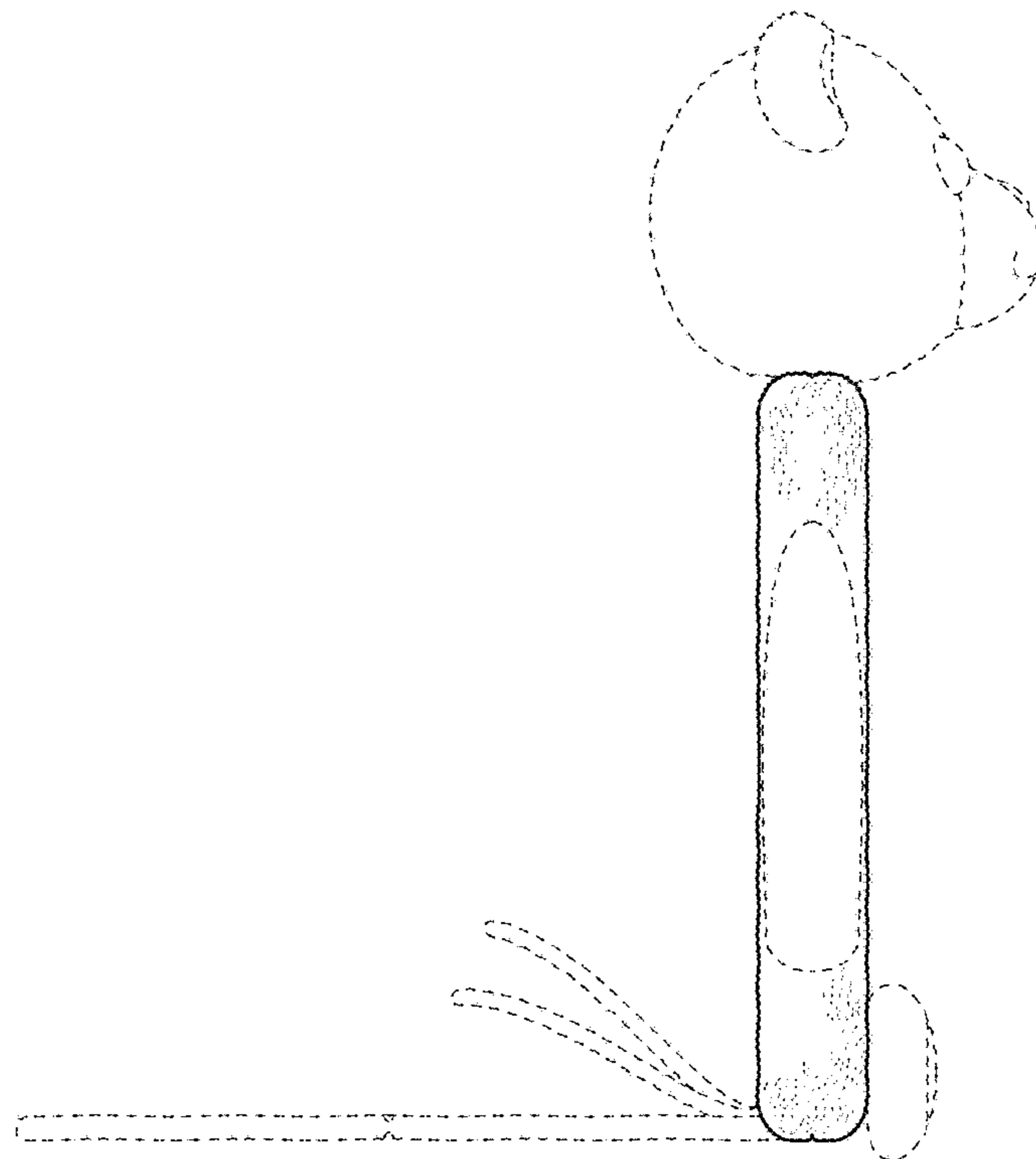


FIG. 5

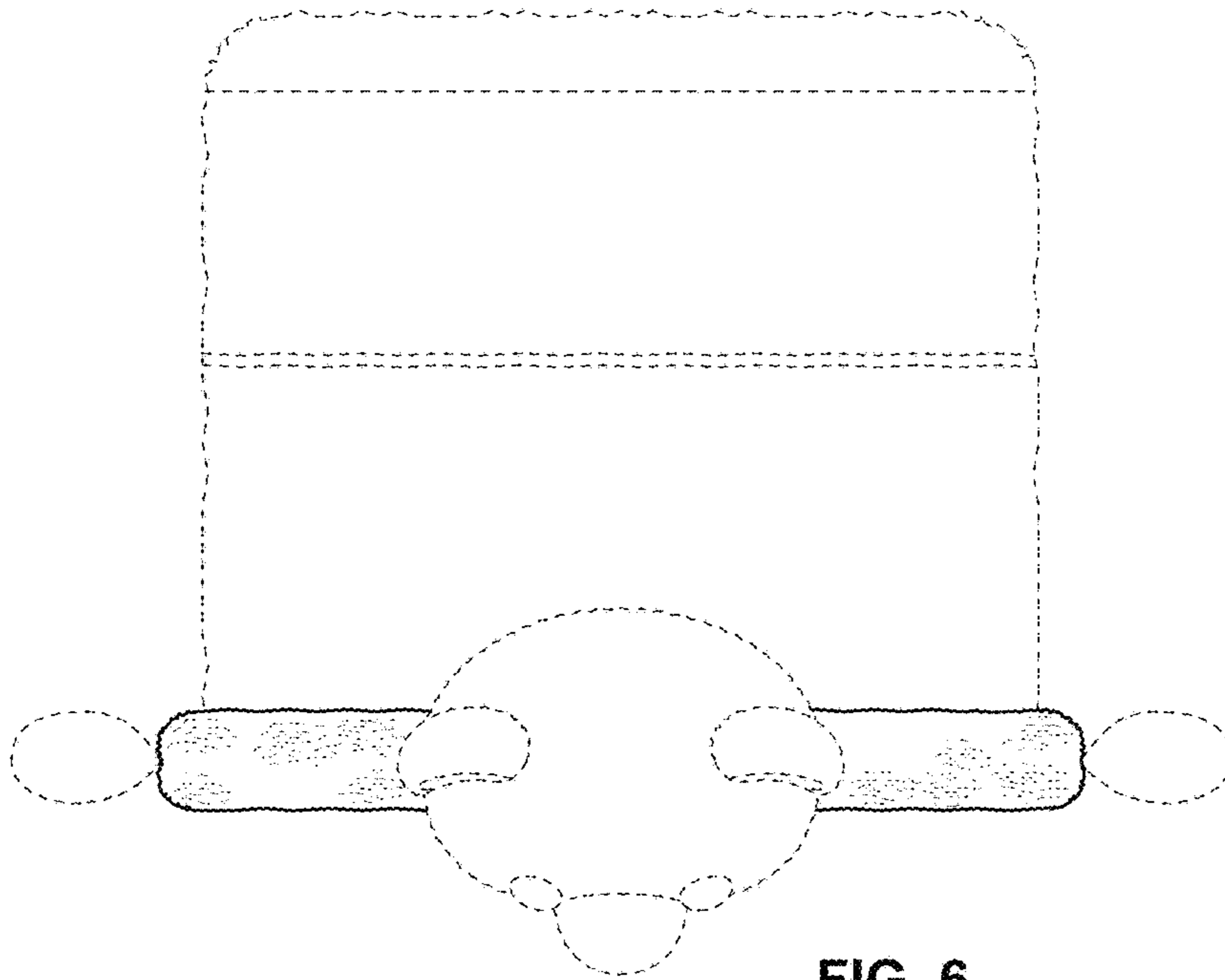


FIG. 6

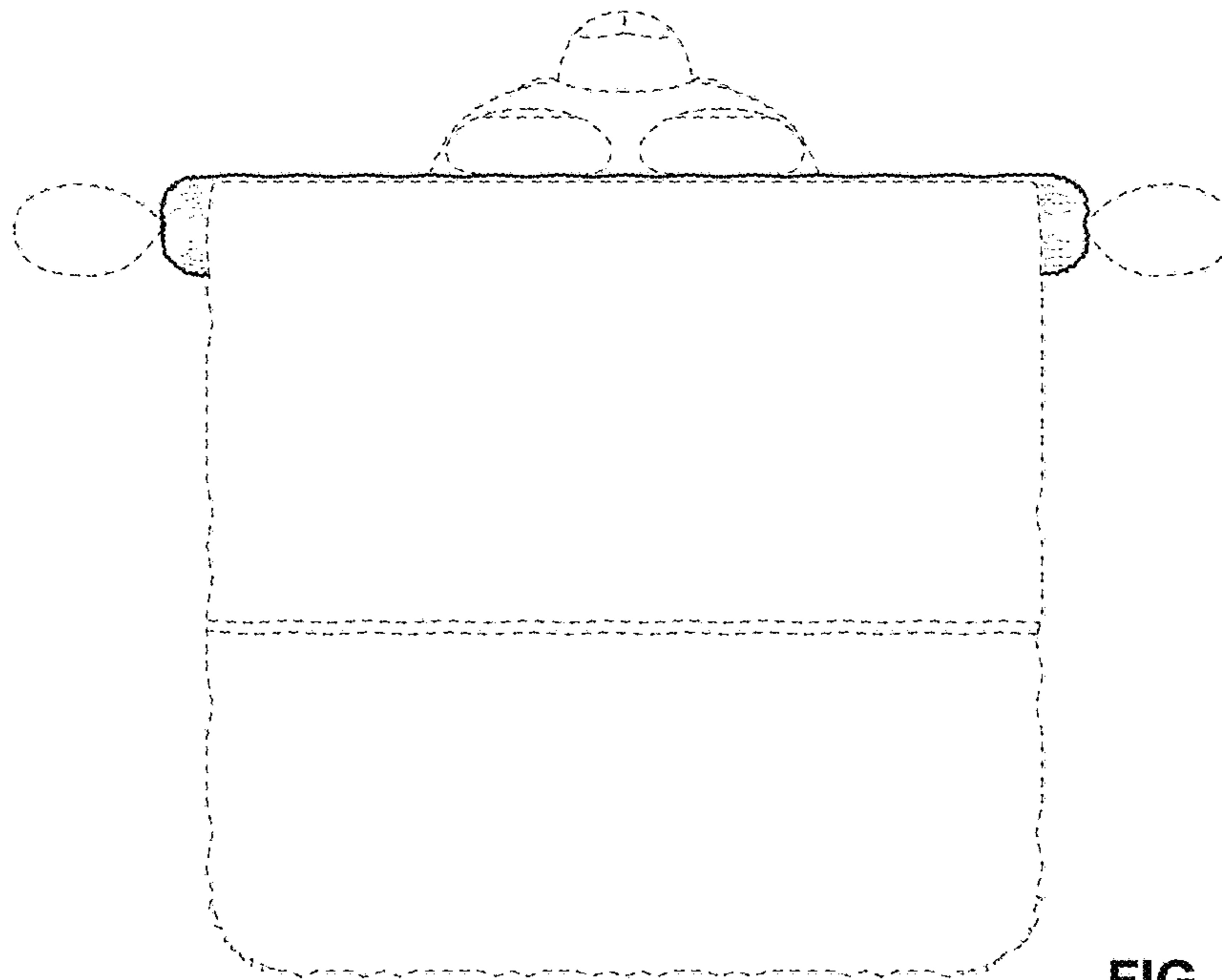


FIG. 7

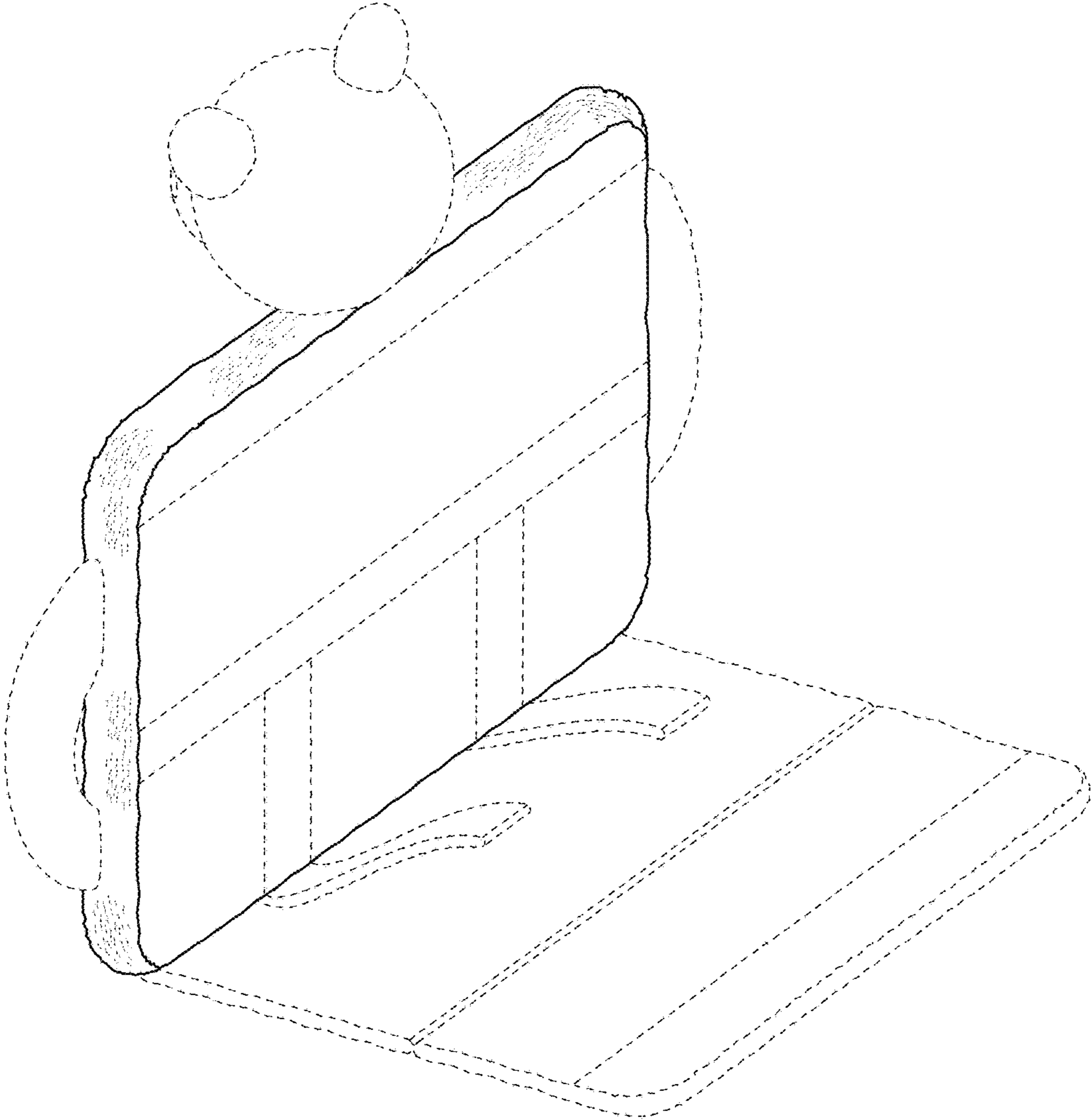


FIG. 8

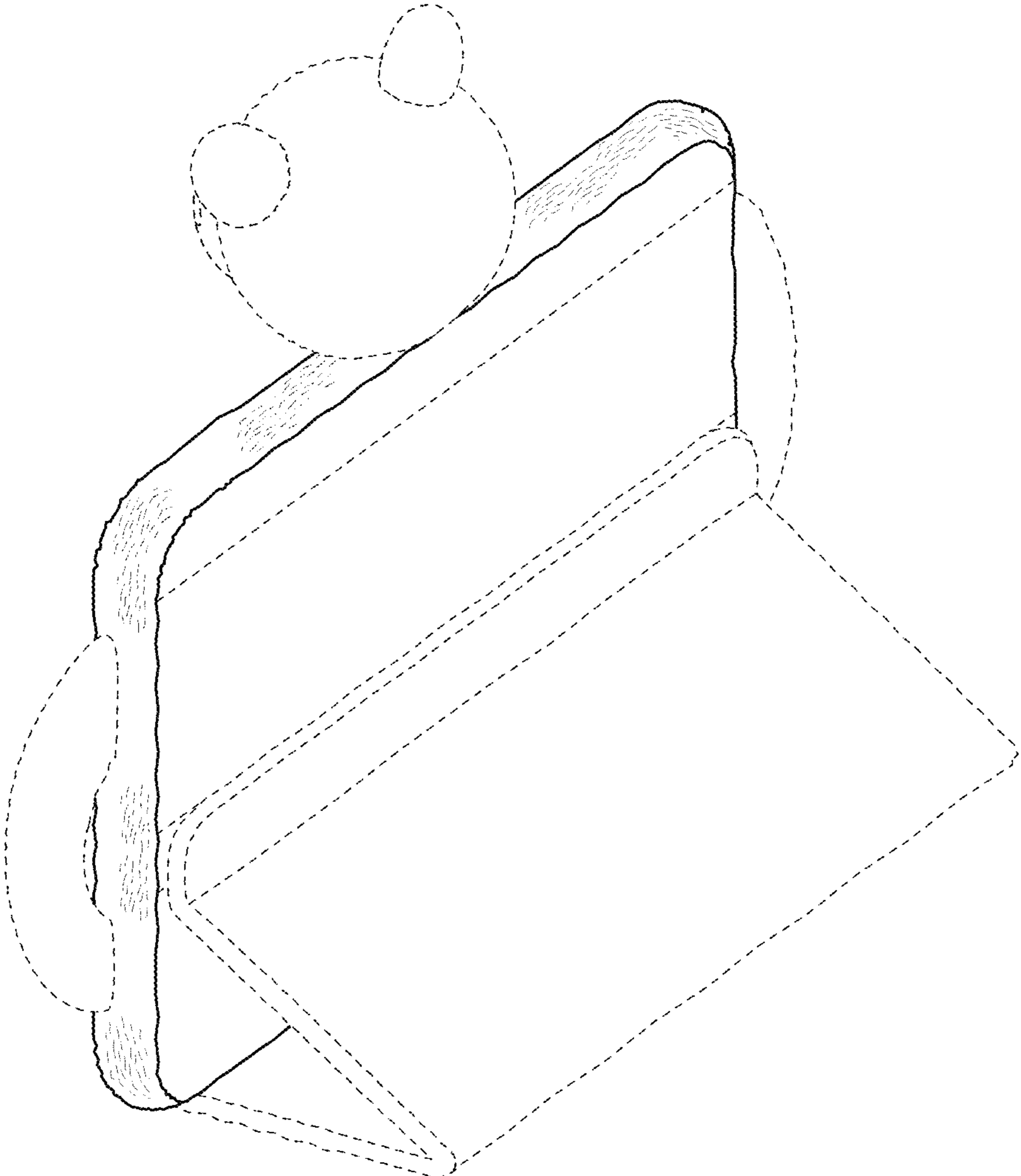


FIG. 9