



US00D810747S

(12) **United States Design Patent**
Kao et al.

(10) **Patent No.:** **US D810,747 S**
(45) **Date of Patent:** **** Feb. 20, 2018**

(54) **THREE DIMENSIONAL SCANNING DEVICE**

(71) Applicants: **XYZprinting, Inc.**, New Taipei (TW);
Kinpo Electronics, Inc., New Taipei
(TW); **Cal-Comp Electronics &**
Communications Company Limited,
New Taipei (TW)

(72) Inventors: **Chieh Kao**, New Taipei (TW); **Yu-Hao**
Lin, New Taipei (TW); **Che-Wei**
Chang, New Taipei (TW)

(73) Assignees: **XYZprinting, Inc.**, New Taipei (TW);
Kinpo Electronics, Inc., New Taipei
(TW); **Cal-Comp Electronics &**
Communications Company Limited,
New Taipei (TW)

(**) Term: **15 Years**

(21) Appl. No.: **29/541,679**

(22) Filed: **Oct. 7, 2015**

(30) **Foreign Application Priority Data**

Jun. 1, 2015 (CN) 2015 3 0173642

(51) **LOC (11) Cl.** **14-02**

(52) **U.S. Cl.**
USPC **D14/420; D14/453**

(58) **Field of Classification Search**
USPC D14/420-423, 385; 433/222.1, 223,
433/213-215, 73, 24, 29, 37, 202.1;
700/98, 97, 118, 161, 163, 182; 264/16,
264/17, 19, 219, 225; 374/1; 707/104.1;
249/54; 600/590; D20/1-9; 194/205,
194/206, 244, 321, 345, 346, 350;

D18/3.3, 4.4, 12, 49; D99/28, 43;
235/381; 33/286, 276, 227, 1 R, 1 C,
33/1 G, 1 K, 1 N, 1 L; 348/47-50, 86,
(Continued)

(56) **References Cited**

U.S. PATENT DOCUMENTS

D221,860 S * 9/1971 Anderson D14/385
D230,991 S * 3/1974 Catto et al. D14/475
(Continued)

Primary Examiner — Susan Moon Lee
(74) *Attorney, Agent, or Firm* — JCIPRNET

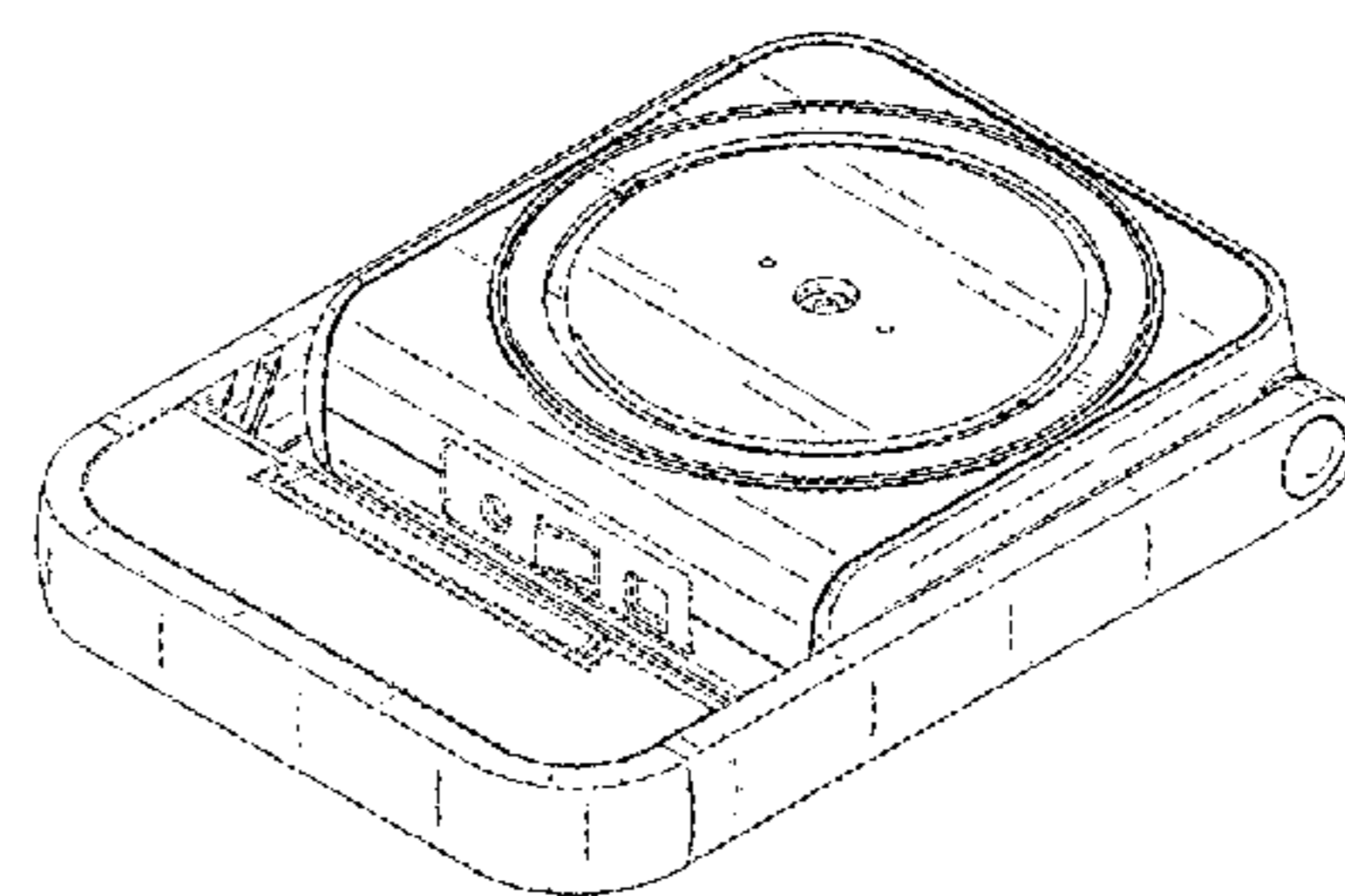
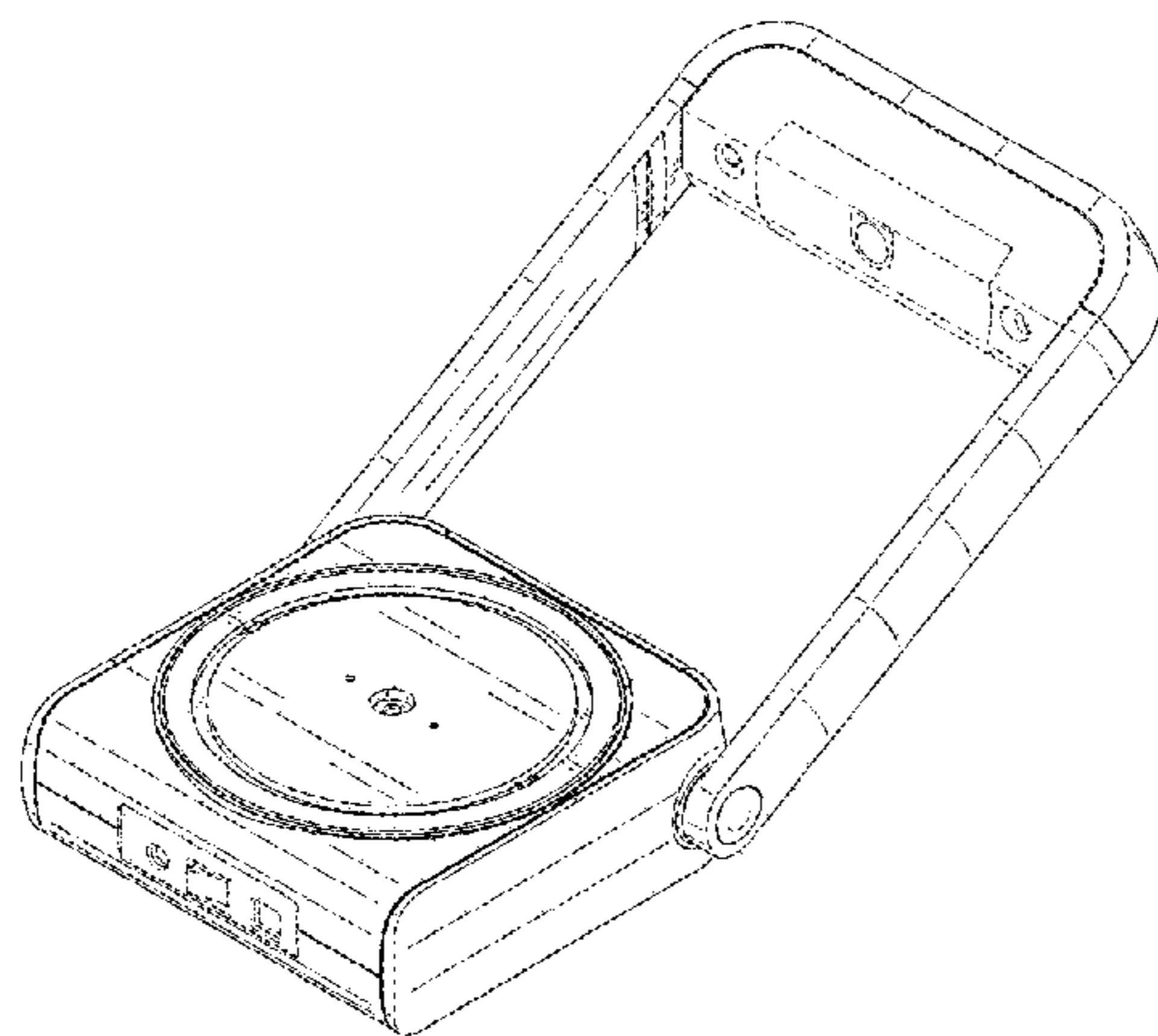
(57) **CLAIM**

The ornamental design for a three dimensional scanning device, as shown and described.

DESCRIPTION

FIG. 1 is a perspective view of a three dimensional scanning device showing our new design;
FIG. 2 is a front view thereof;
FIG. 3 is a rear view thereof;
FIG. 4 is a left side view thereof, and a right side view is a mirror image of the left side;
FIG. 5 is a top view thereof;
FIG. 6 is a bottom view thereof; and
FIG. 7 is a perspective view of the three dimensional device in a closed state.
FIG. 8 is a perspective view of a second embodiment of the three dimensional scanning device;
FIG. 9 is a front view thereof;
FIG. 10 is a rear view thereof;
FIG. 11 is a left side view thereof;
FIG. 12 is a right side view thereof;
FIG. 13 is a top view thereof;
FIG. 14 is a bottom view thereof; and,
FIG. 15 is a perspective view of the three dimensional scanning device of FIG. 8, shown in a closed state.

(Continued)



In the drawings, the broken lines are for the purpose of illustrating the light area, the socket area, and the switching button area and form no part of the claimed design.

1 Claim, 15 Drawing Sheets

(58) Field of Classification Search

USPC 348/94, 95, 207.99, 280, 281, 294, 369, 348/370; 359/202.1, 203.1, 204.1–204.5, 359/216.1, 221.2–221.4, 225.1, 226.2, 359/198.1, 200.1, 200.2, 1, 17–22, 32–35, 359/896; 396/155; 353/82; D15/122, D15/125, 126, 129, 130, 138, 199
 CPC G01C 15/00; G01C 15/002; G01C 15/004; G01C 15/006; G01C 15/008; G01S 17/88; G01S 17/89; G02B 26/0816; G02B 26/10; G02B 26/101–26/124; G02B 26/127; G02B 7/1821; G02B 7/1822; G02B 27/0075; G02B 13/001; G02B 5/201; G02B 3/0056; H01L 27/14627; H01L 27/14621; H01L 21/67288; H01L 21/00; H04N 5/2254; H04N 5/23212; H04N 9/3185; H04N 9/3129; H04N 13/0253; H04N 13/0221; G01B 11/2513; G01B 11/2518; G01B 11/2522; G01B 5/0002; G03F 7/70483; G06K 9/3275; G06K 2209/19; G06T 11/003; G06T 11/00; G06T 11/001; G06T 11/005; G06T 1/00; G06T 1/0007; G06T 3/80037; G06T 3/0043; G06T 3/0056; G06T 3/0062; G06T 3/0087; G06T 3/20; G06T 3/40; G06T 3/60; G06T 3/602–3/608; G06T 5/009; G06T 5/10; G06T 5/20; G06T 5/40; G06T 5/50; G06T 7/0057; G06T 7/0061; G06T 9/001
 See application file for complete search history.

(56) References Cited

U.S. PATENT DOCUMENTS

D253,987 S * 1/1980 Painter D7/309
 D381,645 S * 7/1997 Johnson D14/475

5,762,281 A * 6/1998 Foley B65H 75/28
 160/178.1 R
 D436,111 S * 1/2001 Hahn D14/475
 D450,000 S * 11/2001 Van D10/46
 D486,906 S * 2/2004 Xiao D23/411
 D491,048 S * 6/2004 Cornier D8/358
 D495,690 S * 9/2004 Lin D14/260.1
 6,945,298 B2 * 9/2005 Ludvigsen B65H 37/005
 156/523
 D530,631 S * 10/2006 Tsuruta D10/46
 D606,998 S * 12/2009 Taatjes D14/475
 D633,916 S * 3/2011 Taatjes D14/475
 8,054,520 B2 * 11/2011 Noh G01S 17/42
 359/200.1
 D650,787 S * 12/2011 Taatjes D14/475
 8,226,395 B2 * 7/2012 Pax B29C 67/0055
 425/174.4
 D682,905 S * 5/2013 Kendall D16/130
 D700,607 S * 3/2014 Cederstrom D14/420
 D720,352 S * 12/2014 Cox D14/420
 D723,561 S * 3/2015 Buel D14/420
 D737,347 S * 8/2015 Anantha D14/475
 9,421,713 B2 * 8/2016 Swanson B29C 67/0055
 D791,414 S * 7/2017 Wilgus D30/124
 2003/0122027 A1 * 7/2003 Bootsman B65H 49/322
 242/557
 2005/0072605 A1 * 4/2005 Kunzi G01G 23/002
 177/126
 2007/0001050 A1 * 1/2007 Taatjes B65H 49/322
 242/598.6
 2009/0273122 A1 * 11/2009 Batchelder B29C 47/0014
 264/401
 2010/0096485 A1 * 4/2010 Taatjes B29C 67/0085
 242/171
 2010/0096489 A1 * 4/2010 Taatjes B65H 75/28
 242/520
 2010/0118362 A1 * 5/2010 Lee G02B 26/101
 359/198.1
 2010/0118371 A1 * 5/2010 Lee G02B 7/1821
 359/221.2
 2011/0261154 A1 * 10/2011 Chang G03B 35/16
 348/40
 2013/0342661 A1 * 12/2013 Ishii H04N 9/045
 348/49
 2014/0161602 A1 * 6/2014 Schmidt F04D 29/4226
 415/204
 2015/0043225 A1 * 2/2015 Goodman G01B 11/2504
 362/372

* cited by examiner

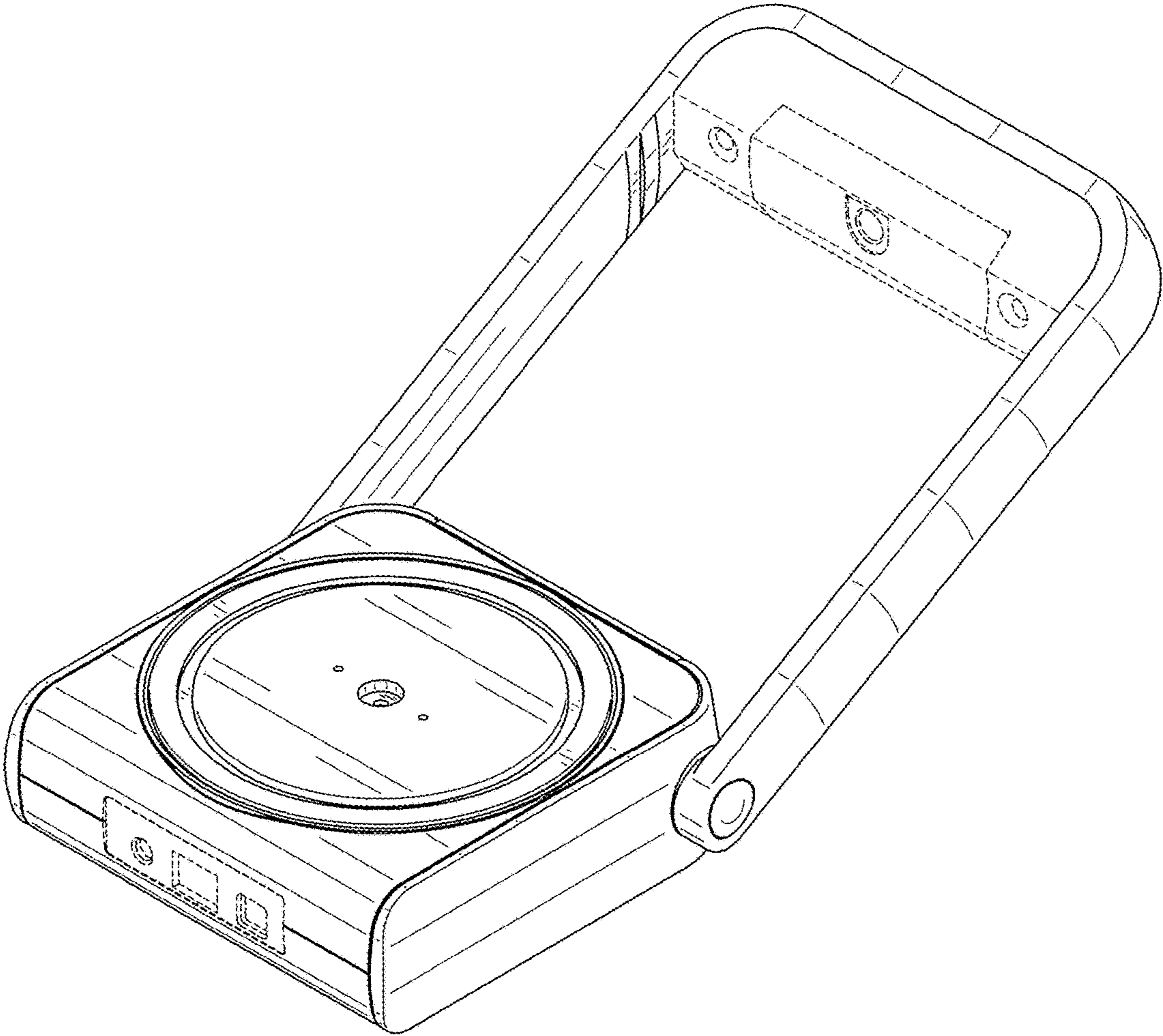


FIG. 1

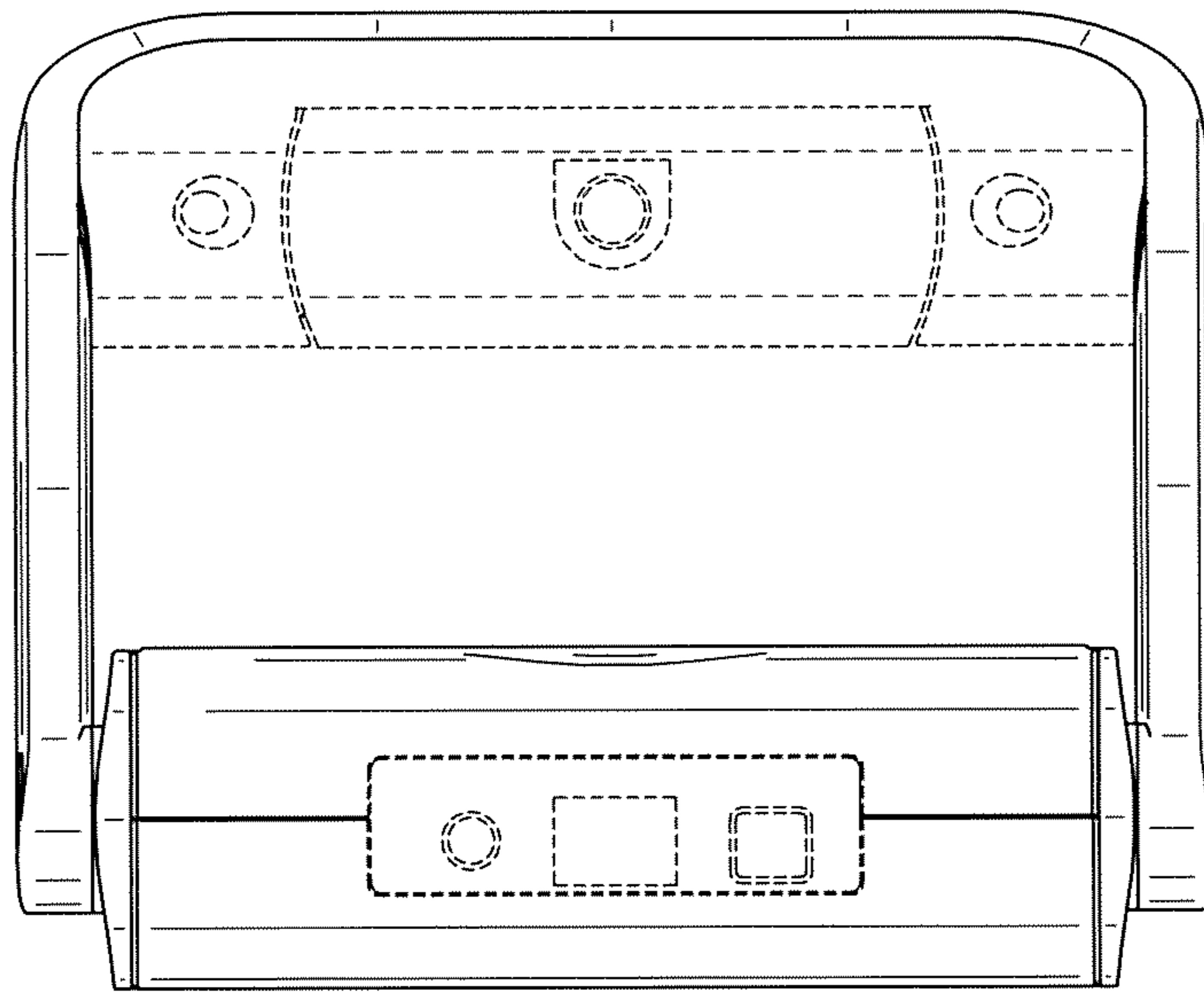


FIG. 2

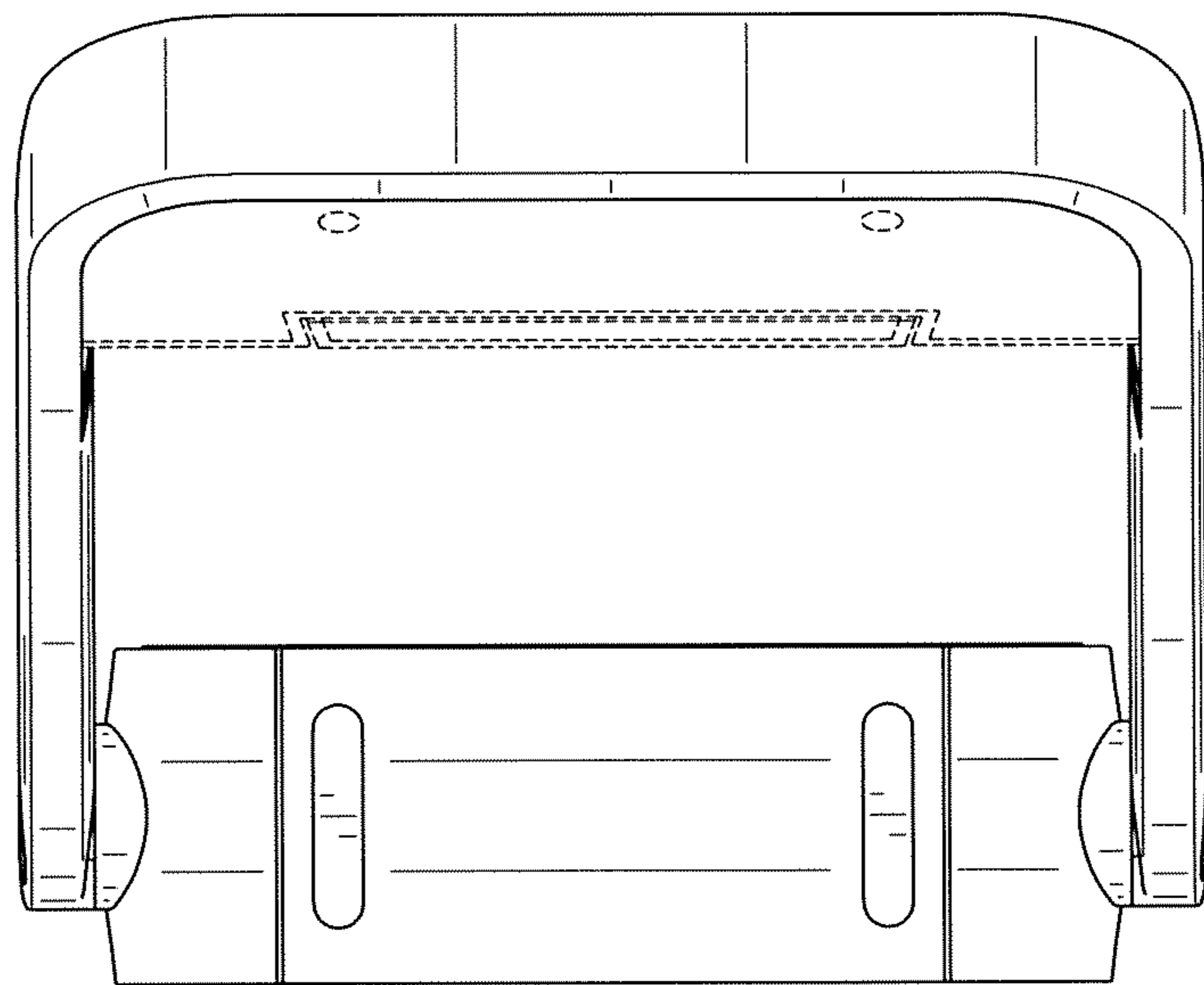


FIG. 3

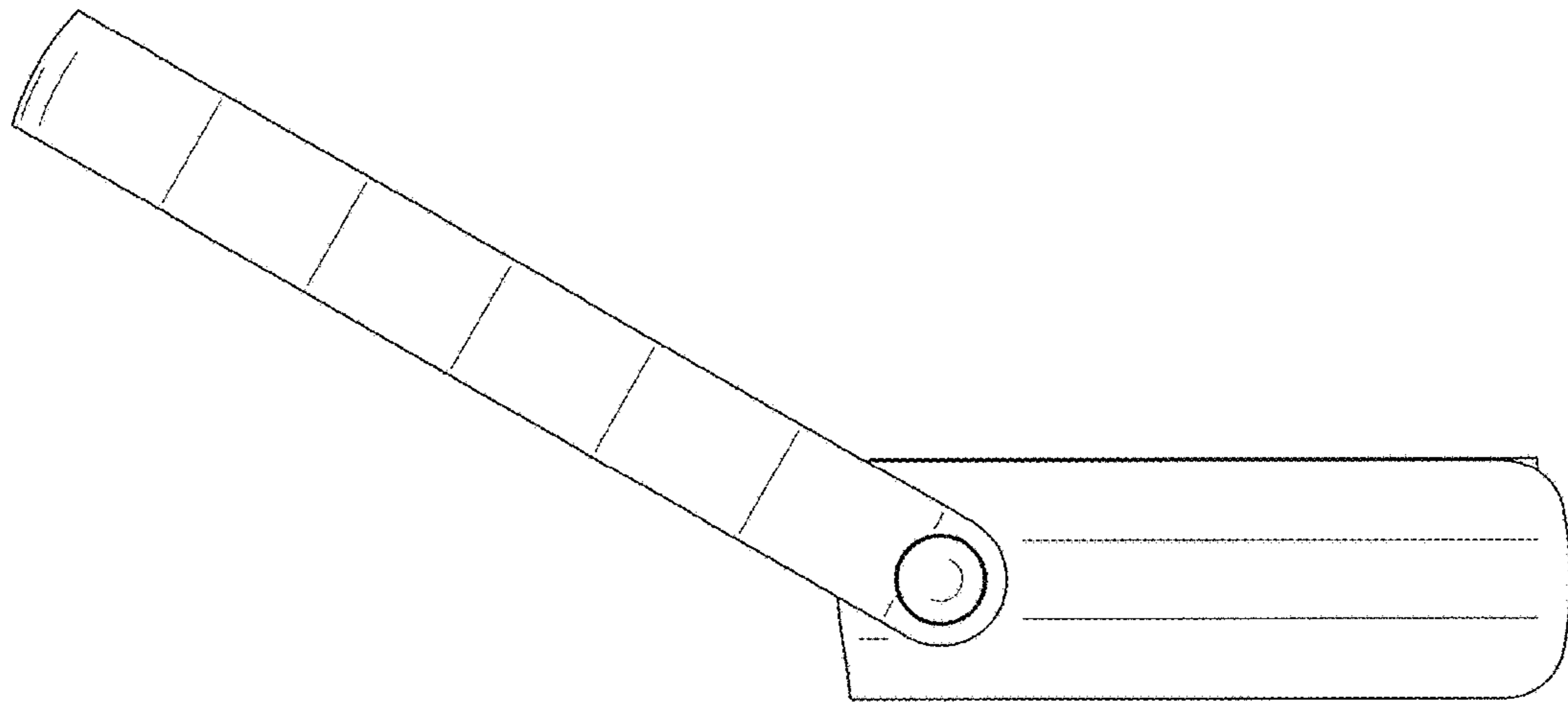


FIG. 4

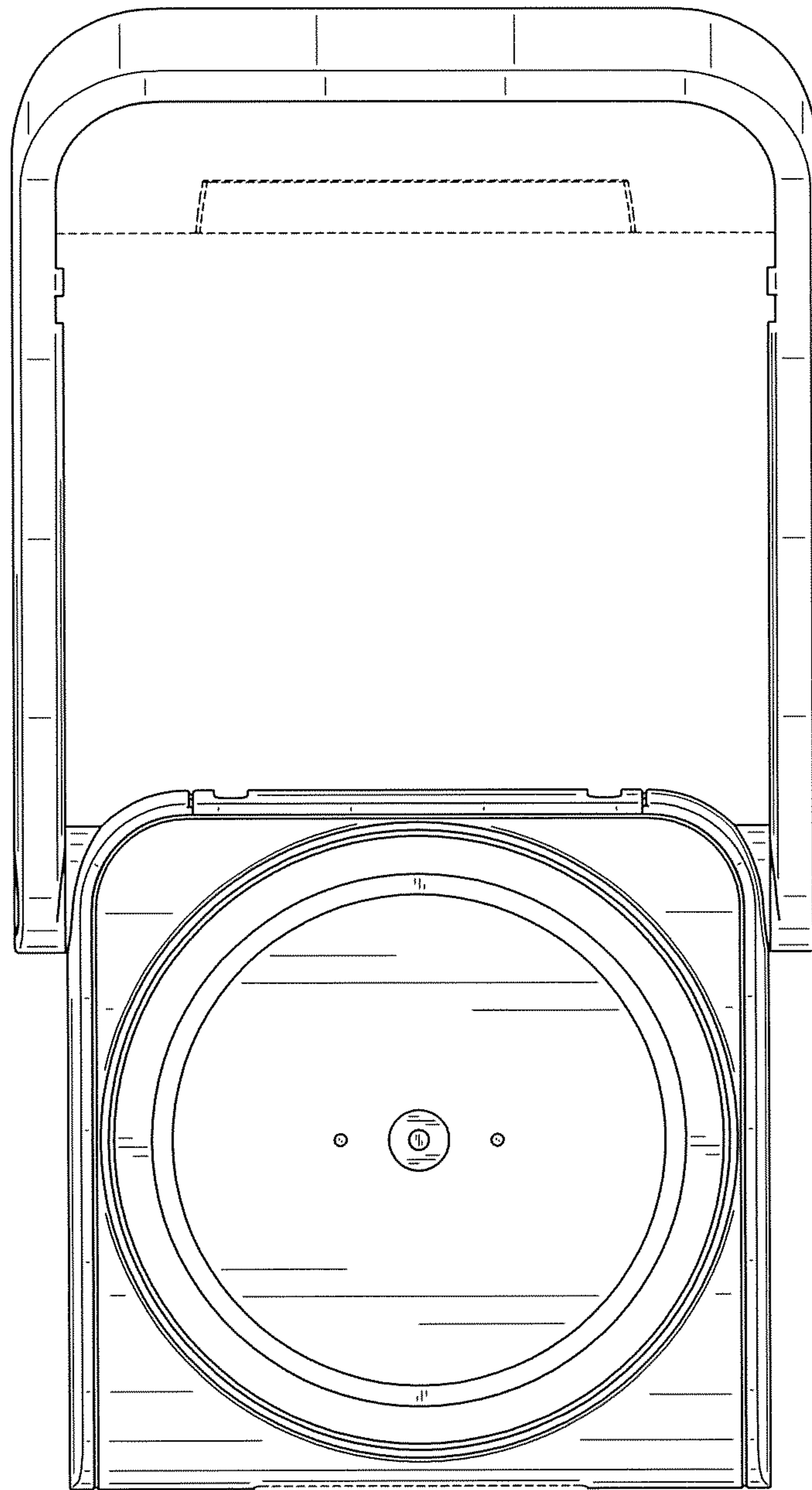


FIG. 5

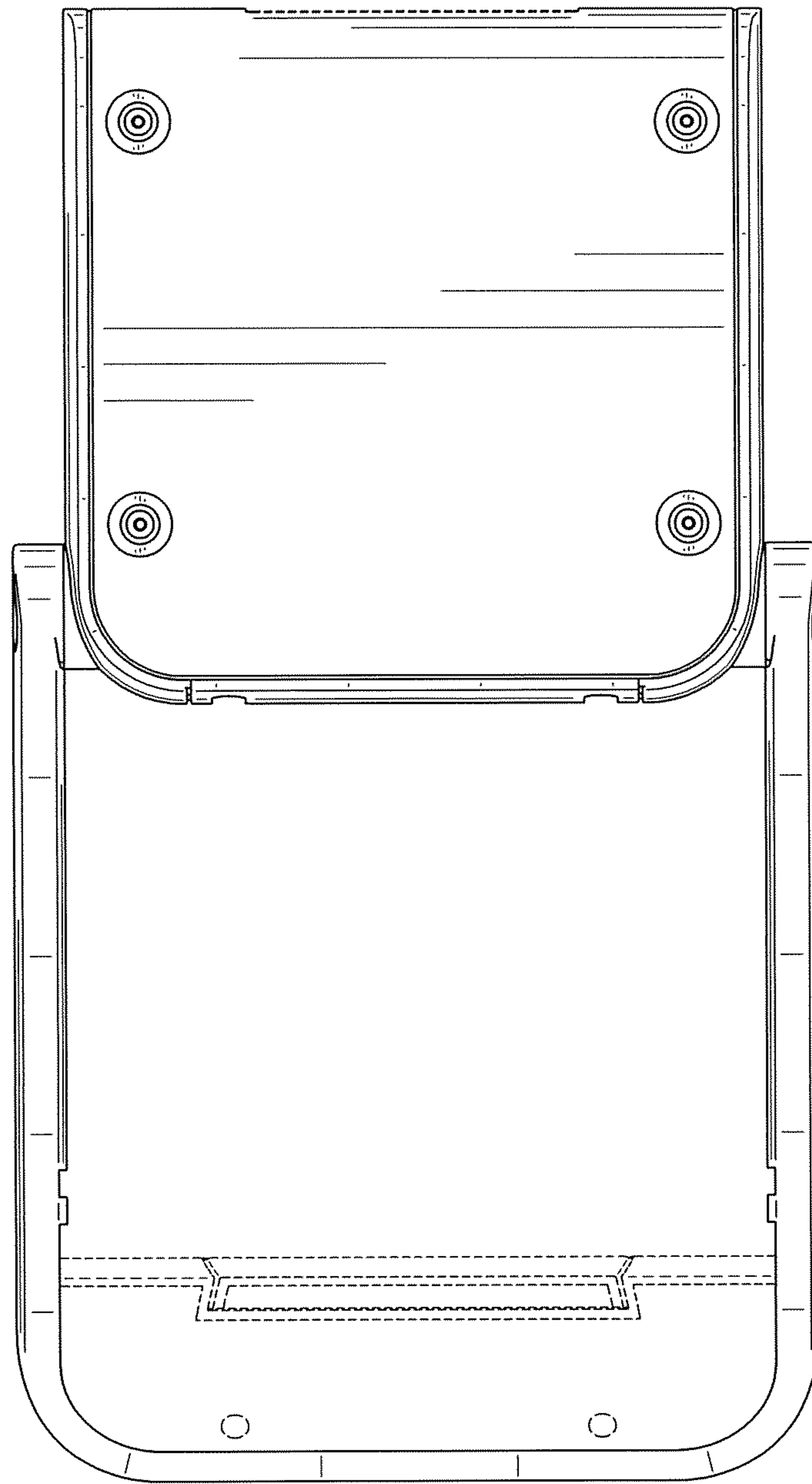


FIG. 6

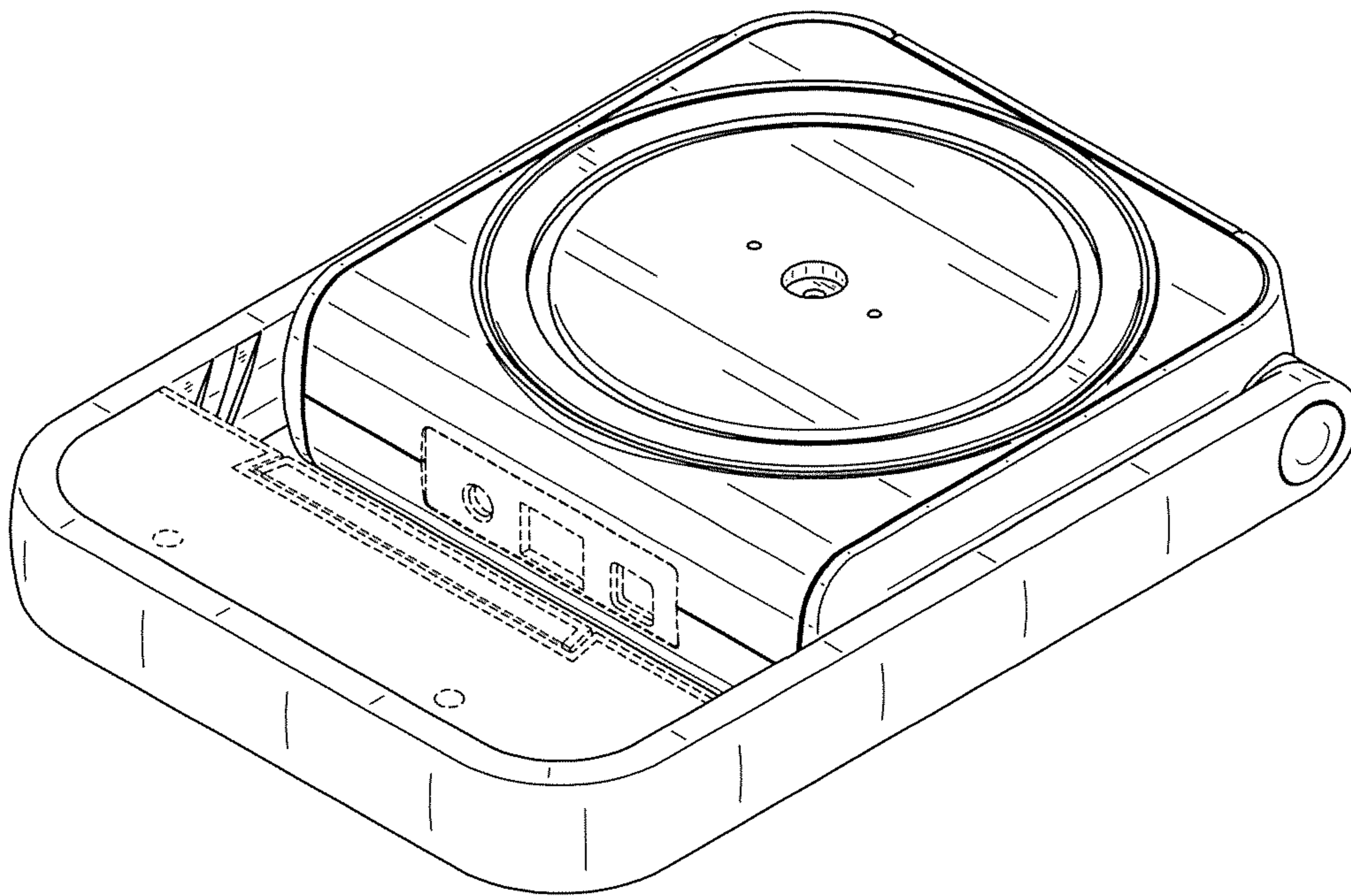


FIG. 7

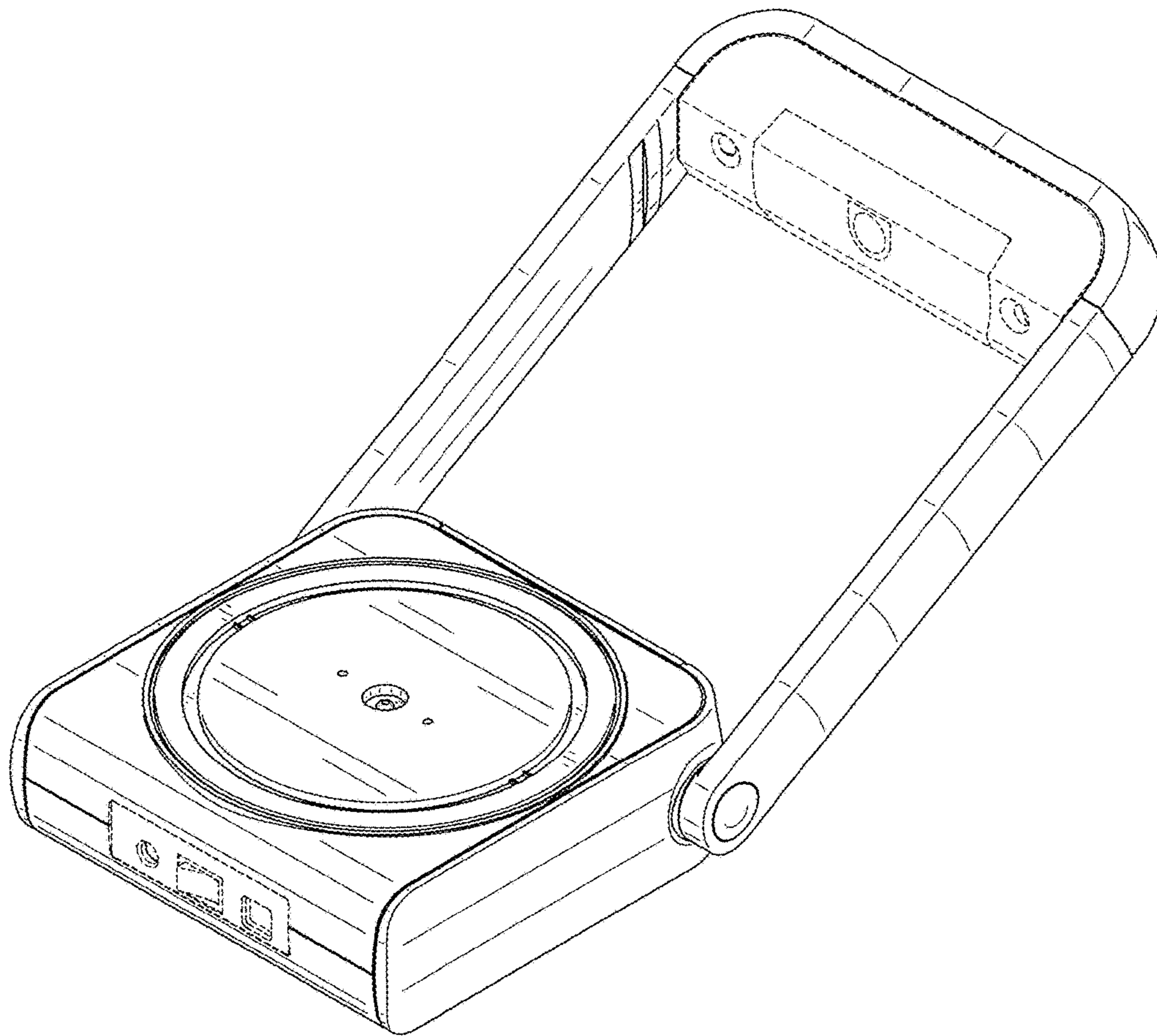


FIG. 8

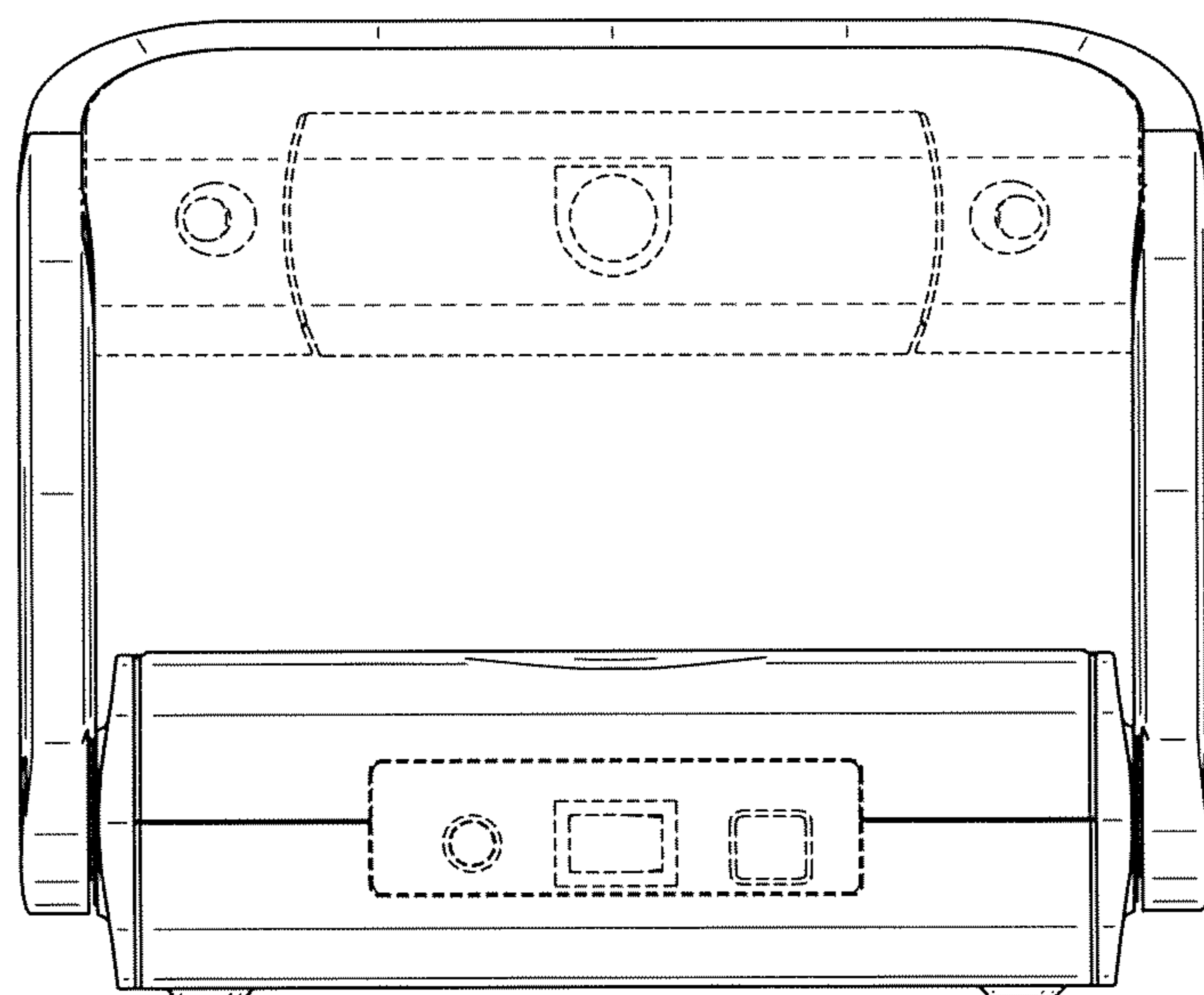


FIG. 9

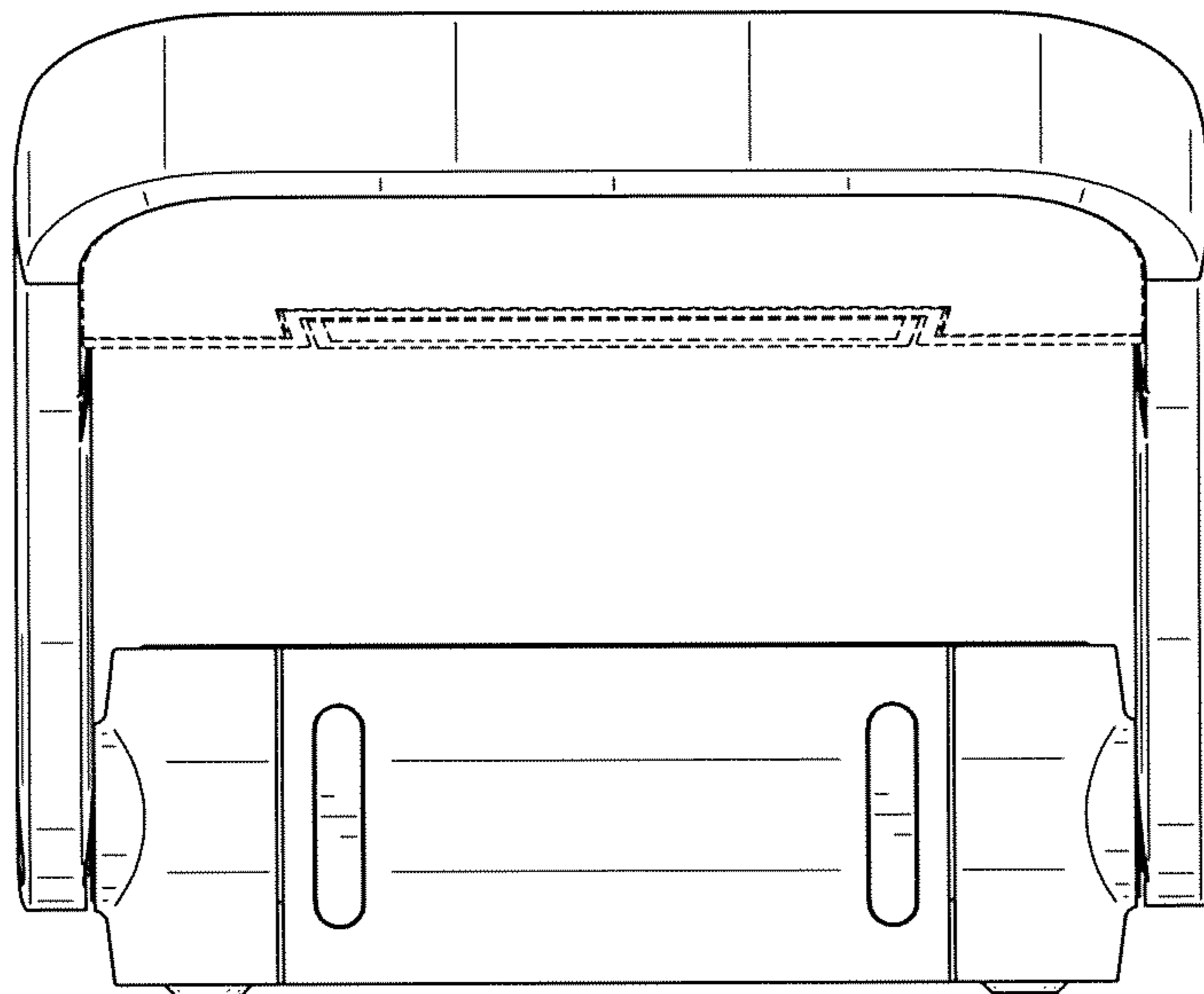


FIG. 10

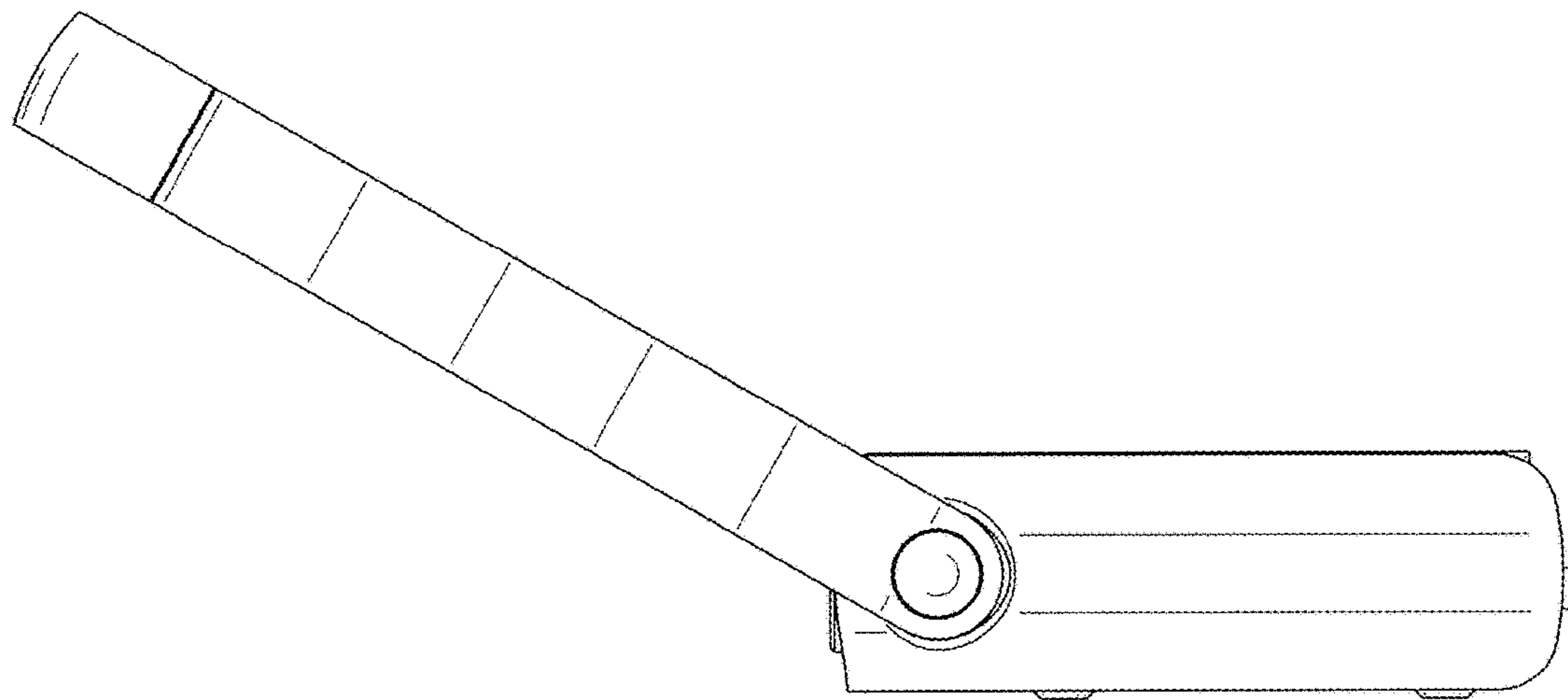


FIG. 11

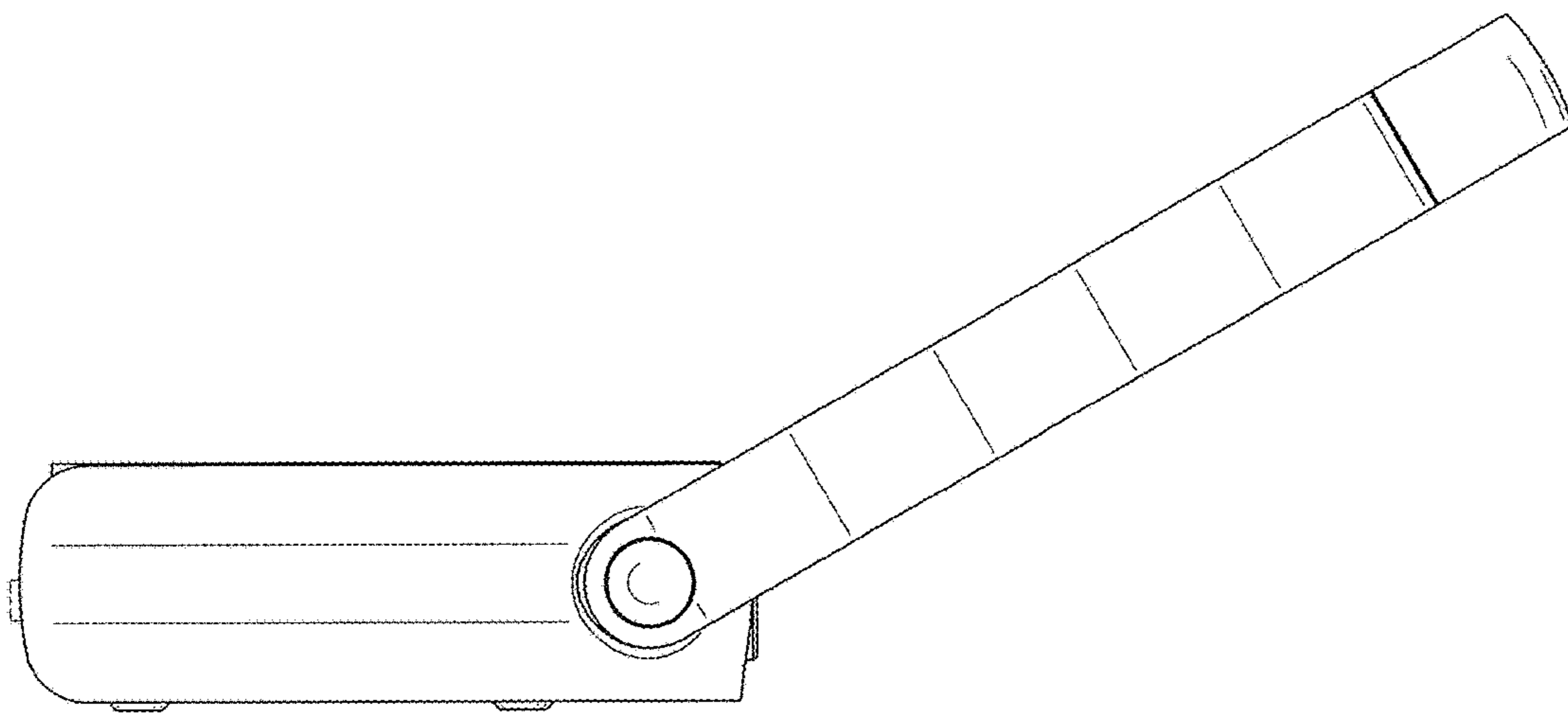


FIG. 12

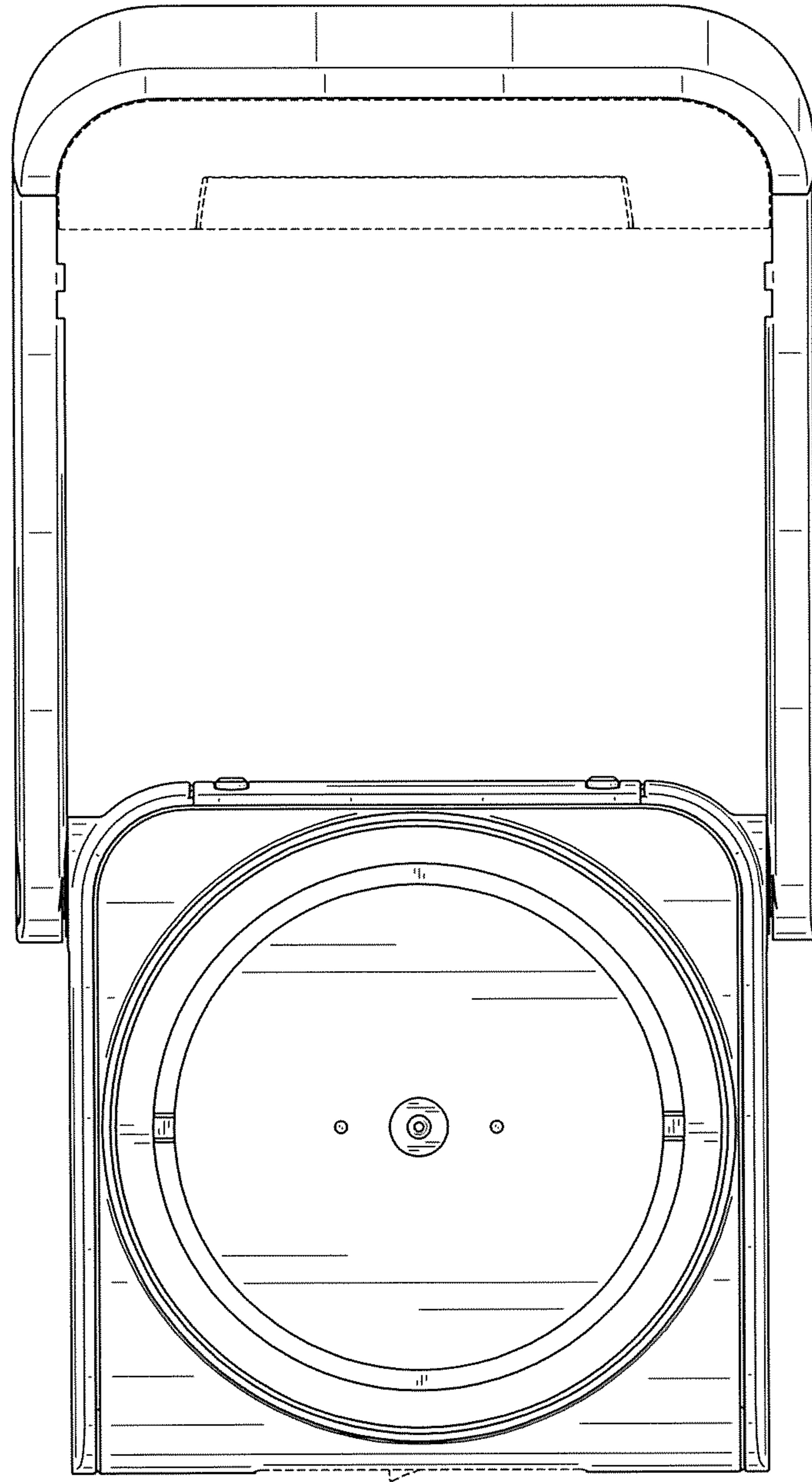


FIG. 13

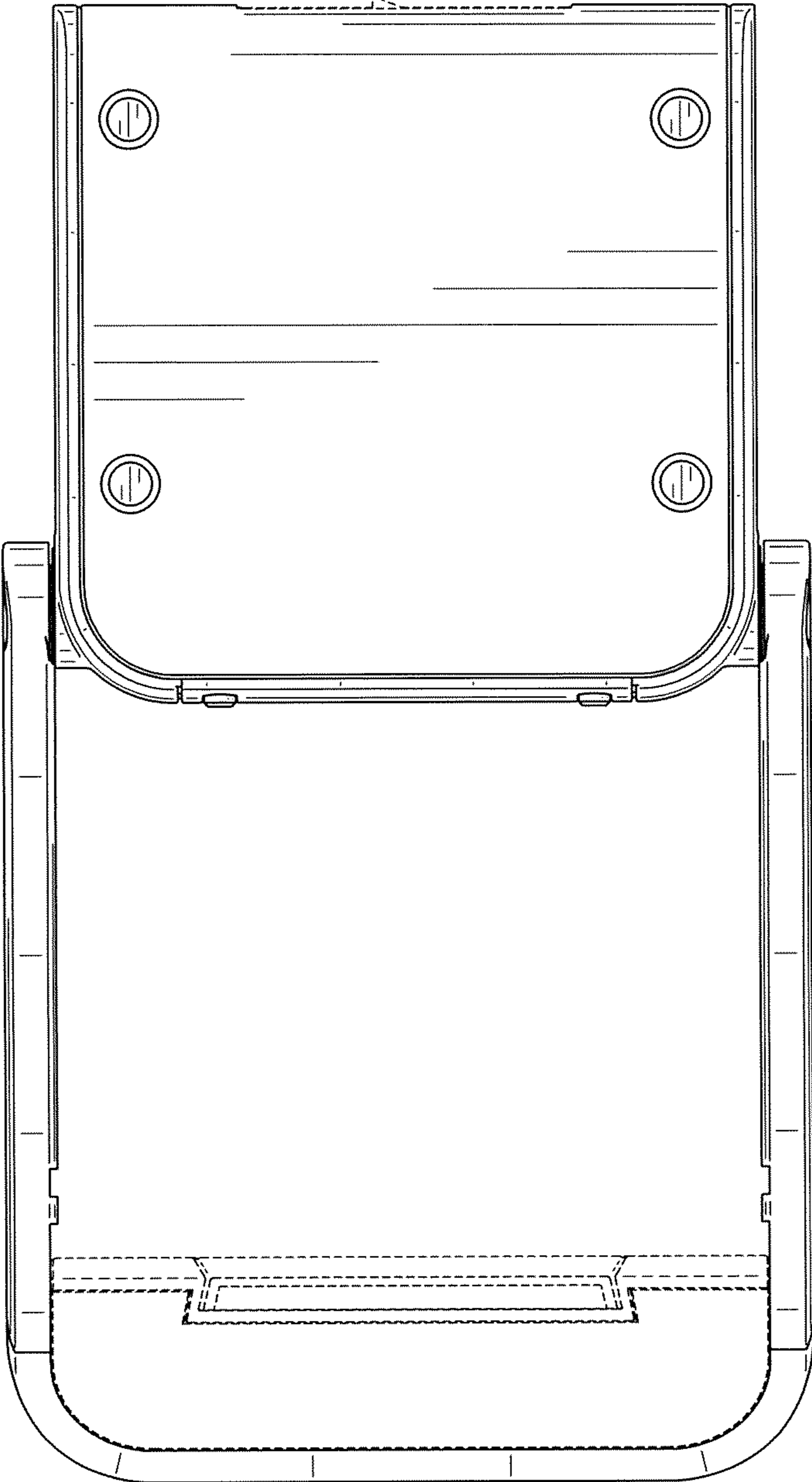


FIG. 14

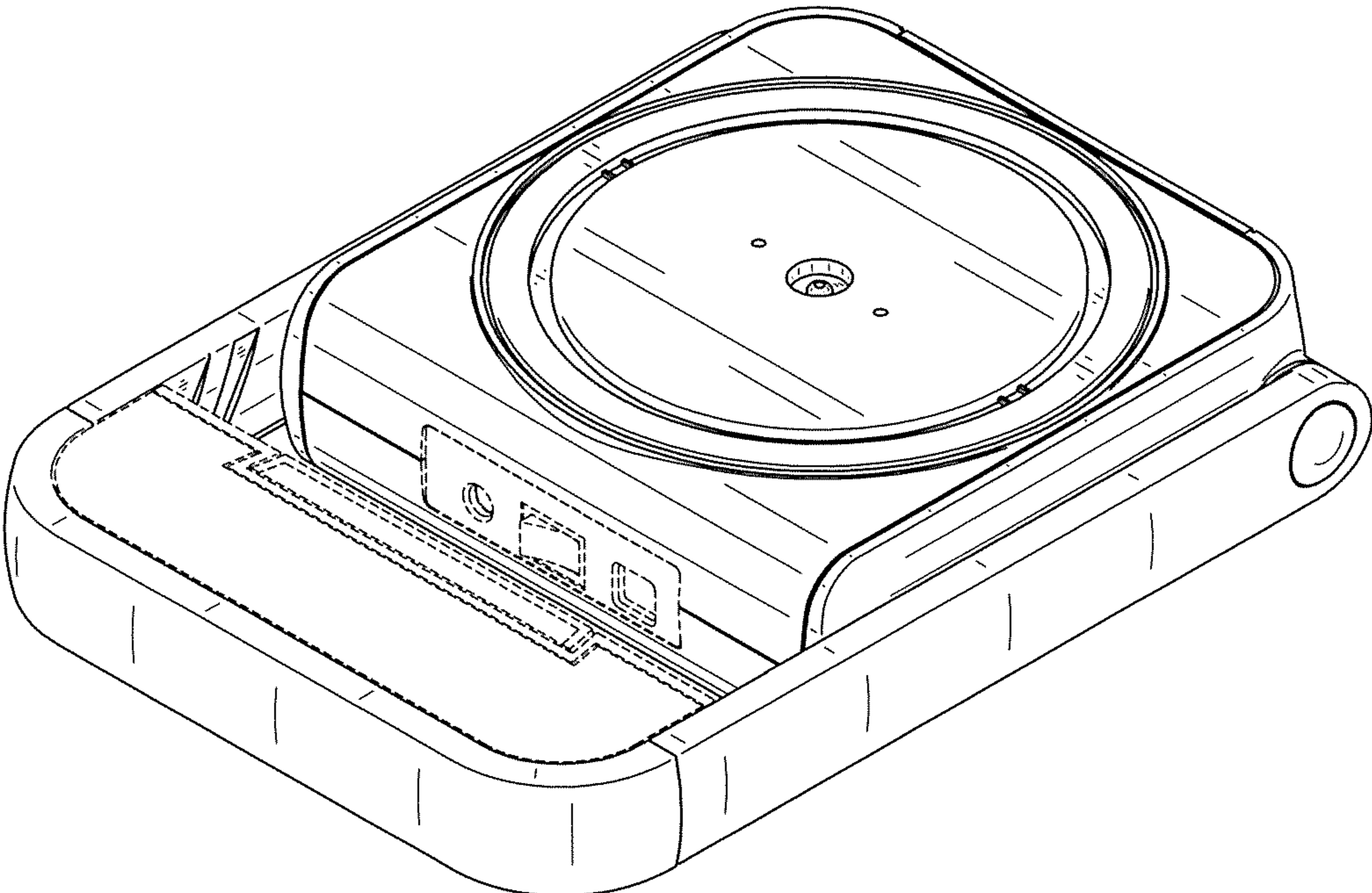


FIG. 15