



US00D810743S

(12) **United States Design Patent** (10) **Patent No.:** **US D810,743 S**
Yee et al. (45) **Date of Patent:** **** Feb. 20, 2018**

(54) **HEAD MOUNTED DISPLAY**
(71) Applicant: **Oculus VR, LLC**, Menlo Park, CA (US)
(72) Inventors: **Phillip Yee**, San Francisco, CA (US); **Julian James Hammerstein**, Atherton, CA (US); **Quintin Morris**, Issaquah, WA (US); **Joseph Patrick Sullivan**, Issaquah, WA (US)
(73) Assignee: **Oculus VR, LLC**, Menlo Park, CA (US)
(**) Term: **15 Years**
(21) Appl. No.: **29/579,866**
(22) Filed: **Oct. 4, 2016**
(51) **LOC (11) Cl.** **14-02**
(52) **U.S. Cl.**
USPC **D14/372**
(58) **Field of Classification Search**
USPC D14/372, 496, 432, 371, 125, 126, 129, D14/299; D16/300-342; 351/158, 153, 351/144; 345/7-9, 905; 455/344; 348/115, 53, 121, 739
CPC G02B 27/017; G02B 27/0158; G02B 27/0161; G02B 27/0181; G02B 27/0185; G02B 27/0189
See application file for complete search history.

D669,471 S * 10/2012 Hwang D14/372
D678,191 S 3/2013 Fitch et al.
D700,136 S 2/2014 Morris et al.
D715,760 S 10/2014 Kim et al.
D719,953 S 12/2014 Nokuo et al.
D722,054 S 2/2015 Serota
D727,896 S 4/2015 Lалуque et al.
D732,028 S * 6/2015 Kim D14/372
D735,691 S 8/2015 Sparks et al.
D738,374 S 9/2015 Luckey et al.
D739,855 S 9/2015 Bosveld et al.
(Continued)

FOREIGN PATENT DOCUMENTS

JP 1175394 A 3/1999

OTHER PUBLICATIONS

First Examination Report in Israel Patent Application No. 59453, dated Apr. 19, 2017, 2 pages.
(Continued)

Primary Examiner — Austin Murphy
(74) *Attorney, Agent, or Firm* — Perkins Coie LLP

(57) **CLAIM**

The ornamental design for a head mounted display, as shown and described.

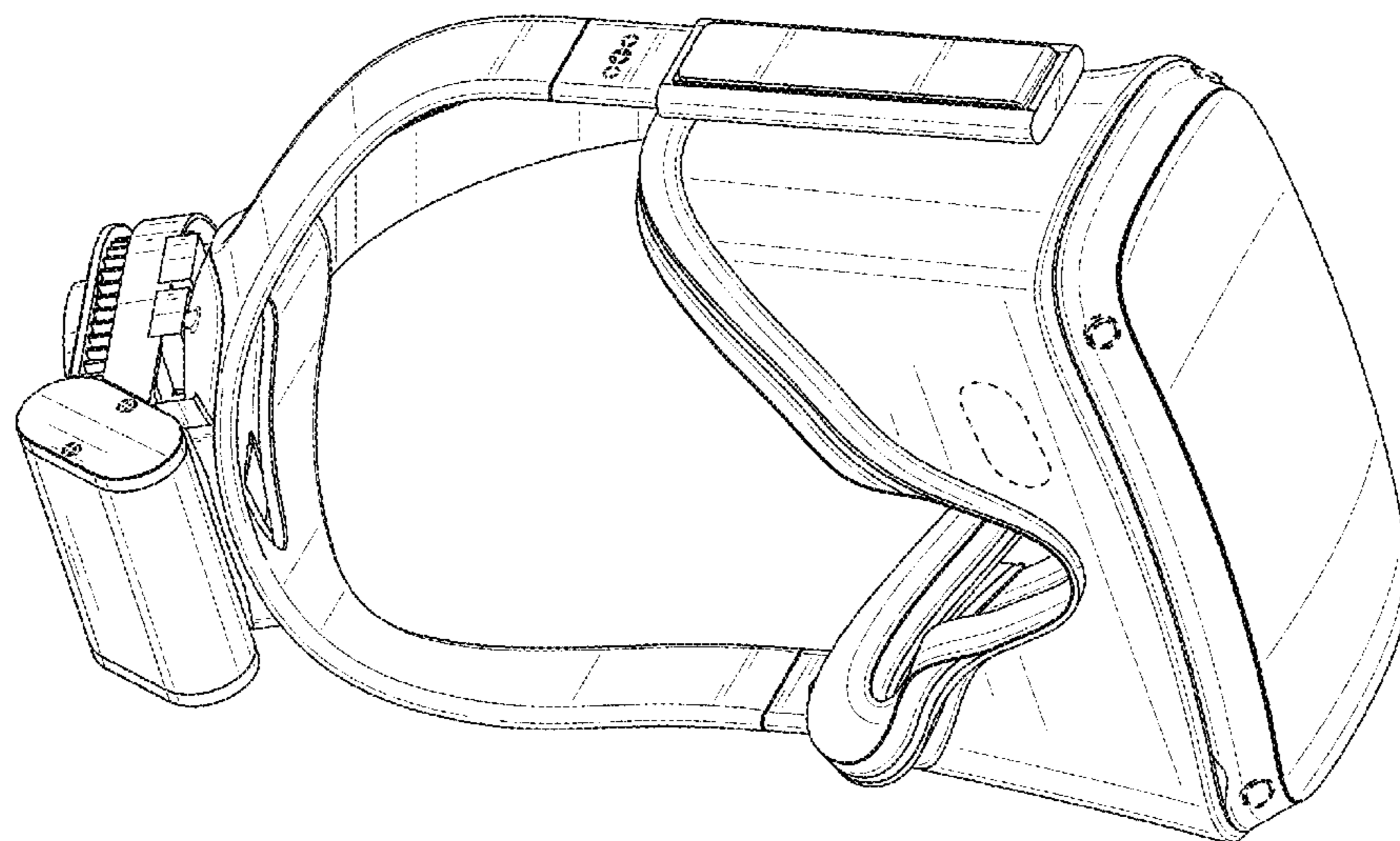
DESCRIPTION

FIG. 1 is a bottom isometric view of a head mounted display showing the new design.
FIG. 2 is a left side elevation view thereof.
FIG. 3 is a right side elevation view thereof.
FIG. 4 is a front elevation view thereof.
FIG. 5 is a rear elevation view thereof.
FIG. 6 is a top plan view thereof; and,
FIG. 7 is a bottom plan view thereof.
Any broken lines in the Figures are for illustrative purposes only and form no part of the claimed design.

1 Claim, 7 Drawing Sheets

(56) **References Cited**
U.S. PATENT DOCUMENTS

D306,851 S 3/1990 Weimann
5,003,300 A 3/1991 Wells
D417,860 S 12/1999 Lau
D427,982 S 7/2000 Ishii
D446,499 S 8/2001 Andre et al.
D491,888 S 6/2004 Lee
D499,397 S 12/2004 Hlas et al.
D576,100 S 9/2008 Wang



(56)

References Cited

U.S. PATENT DOCUMENTS

D740,810 S	10/2015	Bosveld et al.	
D740,811 S	10/2015	Bosveld et al.	
D741,324 S *	10/2015	Bosveld	D14/372
D741,327 S	10/2015	Reznik et al.	
D741,860 S	10/2015	Bosveld et al.	
D748,628 S *	2/2016	Bosveld	D14/372
D749,580 S	2/2016	Kim et al.	
D749,583 S	2/2016	Luckey et al.	
D751,072 S	3/2016	Lyons	
D753,111 S *	4/2016	Fei	D14/372
D753,112 S	4/2016	Fei	
D759,015 S *	6/2016	Mehin	D14/372
D759,654 S	6/2016	Sullivan et al.	
D759,655 S	6/2016	Sullivan et al.	
D760,225 S	6/2016	Passmore et al.	
D761,257 S	7/2016	Passmore et al.	
D764,437 S	8/2016	Yang et al.	
D764,466 S *	8/2016	Kim	D14/372
D764,467 S	8/2016	Nokuo	
D765,056 S	8/2016	Yang et al.	
D765,074 S *	8/2016	Katopis	D14/372
D771,625 S	11/2016	Pickett et al.	
D771,627 S	11/2016	Ko et al.	
D773,461 S *	12/2016	Jiang	D14/372
D776,111 S	1/2017	Baldassi et al.	
D778,909 S	2/2017	Nokuo	
D780,751 S *	3/2017	Park	D14/372
D781,288 S *	3/2017	Park	D14/372
D781,289 S	3/2017	Patel et al.	
D783,019 S *	4/2017	Letbetter	D14/372
D785,619 S *	5/2017	Su	D14/372
D787,443 S	5/2017	Chiang et al.	
D788,037 S	5/2017	Hung et al.	
9,638,921 B2	5/2017	Miller et al.	
D791,077 S	7/2017	Tsou	
D791,125 S	7/2017	Sullivan et al.	
D791,126 S	7/2017	Sullivan et al.	
D791,127 S	7/2017	Sullivan et al.	
D791,128 S	7/2017	Sullivan et al.	
D791,129 S *	7/2017	Sullivan	D14/372
D792,372 S	7/2017	Kim et al.	
D792,399 S *	7/2017	Thomas	D14/372
D792,401 S *	7/2017	Tang	D14/372
D792,409 S	7/2017	Shim	
9,716,932 B2	7/2017	Miller et al.	
D800,116 S	10/2017	Yee et al.	
D800,117 S	10/2017	Yee et al.	
D801,969 S	11/2017	Yee et al.	
D801,970 S	11/2017	Pickett et al.	
D805,073 S	12/2017	Yee et al.	
2012/0033142 A1	2/2012	Thomson	
2016/0054571 A1	2/2016	Tazbaz et al.	

OTHER PUBLICATIONS

Office Action in Mexican Patent Application No. MX/f/2015/003770, dated Apr. 18, 2017, 2 pages.
 First Examiner's Report in Canadian Patent Application No. 171,281, dated Jan. 27, 2017, 2 pages.
 Notice of Allowance dated May 1, 2017, for U.S. Appl. No. 29/575,968, of Sullivan, J. filed Aug. 30, 2016.
 Notice of Allowance dated May 1, 2017, for U.S. Appl. No. 29/575,971, of Sullivan, J. filed Aug. 30, 2016.
 Notice of Allowance dated May 3, 2017, for U.S. Appl. No. 29/575,975, of Sullivan, J. filed Aug. 30, 2016.
 Notice of Allowance dated May 3, 2017, for U.S. Appl. No. 29/575,981, of Sullivan, J. filed Aug. 30, 2016.
 Notice of Allowance dated May 8, 2017, for U.S. Appl. No. 29/575,982, of Sullivan, J. filed Aug. 30, 2016.
 "Oculus Rift Virtual Reality Headset," Uncrate, May 8, 2015, 2 pages.
 Bishop, R., "Tested Demos the Oculus Rift 'Crescent Bay' Virtual Reality Headset Prototype at Oculus Connect," Laughing Squid, Sep. 26, 2014, 2 pages.

Blain, L., "'Ancient' Oculus Rift concepts leak new controller and front-facing camera," gamesradar, Jun. 9, 2015, 13 pages.
 Design of Head Mounted Display, Goods Press, No. 5, May 10, 2015, JPO Publicly Known Design No. HA27001471, 3 pages.
 Design of headphone, Sound & Vision, No. 3, Apr. 2014, p. 28, JPO Publicly Known Design No. HB26000843.
 Final Examination Report in Israel Patent Application No. 57744, dated Aug. 3, 2016.
 First Examination Report in India Patent Application No. 278179, dated Apr. 9, 2016, 2 pages.
 First Examination Report in India Patent Application No. 278276, dated May 4, 2016, 2 pages.
 First Examination Report in India Patent Application No. 278277, dated Mar. 28, 2016, 2 pages.
 First Examiner's Report in Australian Patent Application No. 366106, dated Feb. 26, 2016, 2 pages.
 First Examiner's Report in Australian Patent Application No. 366107, dated Feb. 26, 2016, 2 pages.
 First Examiner's Report in Australian Patent Application No. 366109, dated Feb. 26, 2016, 2 pages.
 First Examiner's Report in Australian Patent Application No. 366110, dated Feb. 26, 2016, 2 pages.
 First Examiner's Report in Australian Patent Application No. 366111, dated Feb. 26, 2016, 2 pages.
 First Examiner's Report in Australian Patent Application No. 366112, dated Feb. 26, 2016, 2 pages.
 First Examiner's Report in Canadian Patent Application No. 163156, dated Nov. 24, 2015, 5 pages.
 First Examiner's Report in Canadian Patent Application No. 167487, dated Sep. 13, 2016, 4 pages.
 First Examiner's Report in Canadian Patent Application No. 167488, dated Apr. 7, 2016, 5 pages.
 First Examiner's Report in Canadian Patent Application No. 167489, dated Apr. 7, 2016, 3 pages.
 First Examiner's Report in Canadian Patent Application No. 167490, dated Apr. 7, 2016, 3 pages.
 First Examiner's Report in Canadian Patent Application No. 167491, dated Apr. 7, 2016, 3 pages.
 First Examiner's Report in Israel Patent Application No. 57744, dated Feb. 4, 2016, 3 pages.
 Further Examiner's Report in Canadian Patent Application No. 163156, dated Aug. 18, 2016, 4 pages.
 Further Examiner's Report in Canadian Patent Application No. 167488, dated Aug. 15, 2016, 4 pages.
 Further Examiner's Report in Canadian Patent Application No. 167489, dated Aug. 18, 2016, 3 pages.
 Further Examiner's Report in Canadian Patent Application No. 167490, dated Aug. 18, 2016, 3 pages.
 Further Examiner's Report in Canadian Patent Application No. 167491, dated Aug. 18, 2016, 3 pages.
 Japanese Office Action in Patent Application No. 2015-027694, dated Jul. 1, 2016, 4 pages, English Translation.
 Lang, B., "Oculus Rift Input Controller Revealed in Leaked 'Placeholder Concept,'" Jun. 9, 2015, 2 pages.
 Moynihan, T., "The Oculus Rift is Coming in Early 2016," Wired, May 6, 2015, 2 pages.
 Notice of Allowance dated Oct. 5, 2016, for U.S. Appl. No. 29/529,900, of Sullivan, J. filed Jun. 11, 2015.
 Orland, K., "Leaked images could point to Oculus controller, final Rift design," arstechnica, Jun. 9, 2015, 3 pages.
 Pro Audio Japan, "Product Information: MPC Headphones: AKAI Professional," Mar. 4, 2014, retrieved online at <http://akai-pro.jp/mpc-headphones/>, JPO Publicly Known Design No. HJ25065259, 3 pages.
 Restriction Requirement dated Aug. 8, 2016, for U.S. Appl. No. 29/529,900, of Sullivan, J. filed Jun. 11, 2015.
 Second Examiner's Report in Australian Patent Application No. 366106, dated Jul. 19, 2016, 2 pages.
 Seppala, T., "Oculus Rift goes mainstream early 2016," Engadget, May 6, 2015, 9 pages.
 U.S. Appl. No. 29/529,900 by Sullivan, J. et al., filed Jun. 11, 2015.
 U.S. Appl. No. 29/575,968 by Sullivan, J. et al., filed Aug. 30, 2016.
 U.S. Appl. No. 29/575,971 by Sullivan, J. et al., filed Aug. 30, 2016.

(56)

References Cited

OTHER PUBLICATIONS

U.S. Appl. No. 29/575,975 by Sullivan, J. et al., filed Aug. 30, 2016.
 U.S. Appl. No. 29/575,981 by Sullivan, J. et al., filed Aug. 30, 2016.
 U.S. Appl. No. 29/575,982 by Sullivan, J., et al., filed Aug. 30, 2016.
 U.S. Appl. No. 29/579,868 by Yee, P., et al., filed Oct. 4, 2016.
 U.S. Appl. No. 29/579,870 by Yee, P., et al., filed Oct. 4, 2016.
 U.S. Appl. No. 29/579,873 by Yee, P., et al., filed Oct. 4, 2016.
 U.S. Appl. No. 29/579,875 by Hammerstein, J., et al., filed Oct. 4, 2016.
 U.S. Appl. No. 29/579,881 by Yee, P., et al., filed Oct. 4, 2016.
 U.S. Appl. 29/579,890 by Yee, P., et al., filed Oct. 4, 2016.
 U.S. Appl. 29/579,896 by Yee, P., et al., filed Oct. 4, 2016.
 Chinese Design Gazette, No. 15-48, (Dec. 2, 2015), CN3034793685 (JPO Publicly Known Design No. HH27008199).
 EU Design Gazette, (Oct. 27, 2015), 002820712-0001 (JPO Publicly Known Design No. HH27205425).
 First Examination Report in India Patent Application No. 278269, dated May 4, 2016, 2 pages.
 First Examination Report in India Patent Application No. 278270, dated May 4, 2016, 2 pages.
 First Examination Report in India Patent Application No. 278271, dated Apr. 21, 2016, 2 pages.
 Form Zeitschrift fur Gestaltung, No. 2, vol. 258, p. 51 (JPO Publicly Known Design No. HB27000746).
 Notice of Allowance in Japanese Patent Application No. 2015-027694, dated Dec. 16, 2016, 4 pages, English Translation.
 Notice of Preliminary Rejection in Korean Patent Application No. 30-2015-0063428, dated May 13, 2016, 3 pages.
 Examination Report in India Patent Application No. 289400, dated Jan. 2, 2017, 2 pages.
 First Examination Report in India Patent Application No. 289399, dated Jan. 20, 2017, 2 pages.

First Examination Report in India Patent Application No. 289401, dated Jan. 17, 2017, 2 pages.
 Notice of Allowance dated Aug. 15, 2017, for U.S. Appl. No. 29/579,896, of Yee, P. filed Oct. 4, 2016.
 Notice of Allowance dated Oct. 13, 2017 for U.S. Appl. No. 29/579,868 of Yee, P. filed Oct. 4, 2016.
 Supplemental Notice of Allowability dated Oct. 4, 2017 for U.S. Appl. No. 29/606,524 of Sullivan, J. filed Jun. 5, 2017.
 Supplemental Notice of Allowability dated Oct. 4, 2017, for U.S. Appl. No. 29/579,896, of Yee, P. filed Oct. 4, 2016.
 Supplemental Notice of Allowability dated Sep. 15, 2017 for U.S. Appl. No. 29/579,890 of Yee, P. filed Oct. 4, 2016.
 Supplemental Notice of Allowability dated Sep. 20, 2017 for U.S. Appl. No. 29/579,881 of Yee, P. filed Oct. 4, 2016.
 Office Action in Brazilian Design Patent Application No. BR302015005608-8, dated May 30, 2017, 2 pages.
 Notice of Allowance dated Aug. 14, 2017, for U.S. Appl. No. 29/606,524, of Sullivan J. filed Jun. 5, 2017.
 Restriction Requirement dated Aug. 14, 2017, for U.S. Appl. No. 29/579,868, of Yee, P. filed Oct. 4, 2016.
 Notice of Allowance dated Aug. 8, 2017, for U.S. Appl. No. 29/579,881, of Yee, P. filed Oct. 4, 2016.
 Notice of Allowance dated Aug. 9, 2017, for U.S. Appl. No. 29/579,890, of Yee, P. filed Oct. 4, 2016.
 Restriction Requirement dated Aug. 14, 2017, for U.S. Appl. No. 29/579,870, of Yee, P. filed Oct. 4, 2016.
 Notice of Allowance dated Dec. 15, 2017 for U.S. Appl. No. 29/579,873 by Yee, P., et al., filed Oct. 4, 2016.
 Notice of Allowance dated Nov. 13, 2017 for U.S. Appl. No. 29/579,870, of Yee, P. filed Oct. 4, 2016.
 Supplemental Notice of Allowability dated Nov. 14, 2017 for U.S. Appl. No. 29/579,868 of Yee, P. filed Oct. 4, 2016.

* cited by examiner

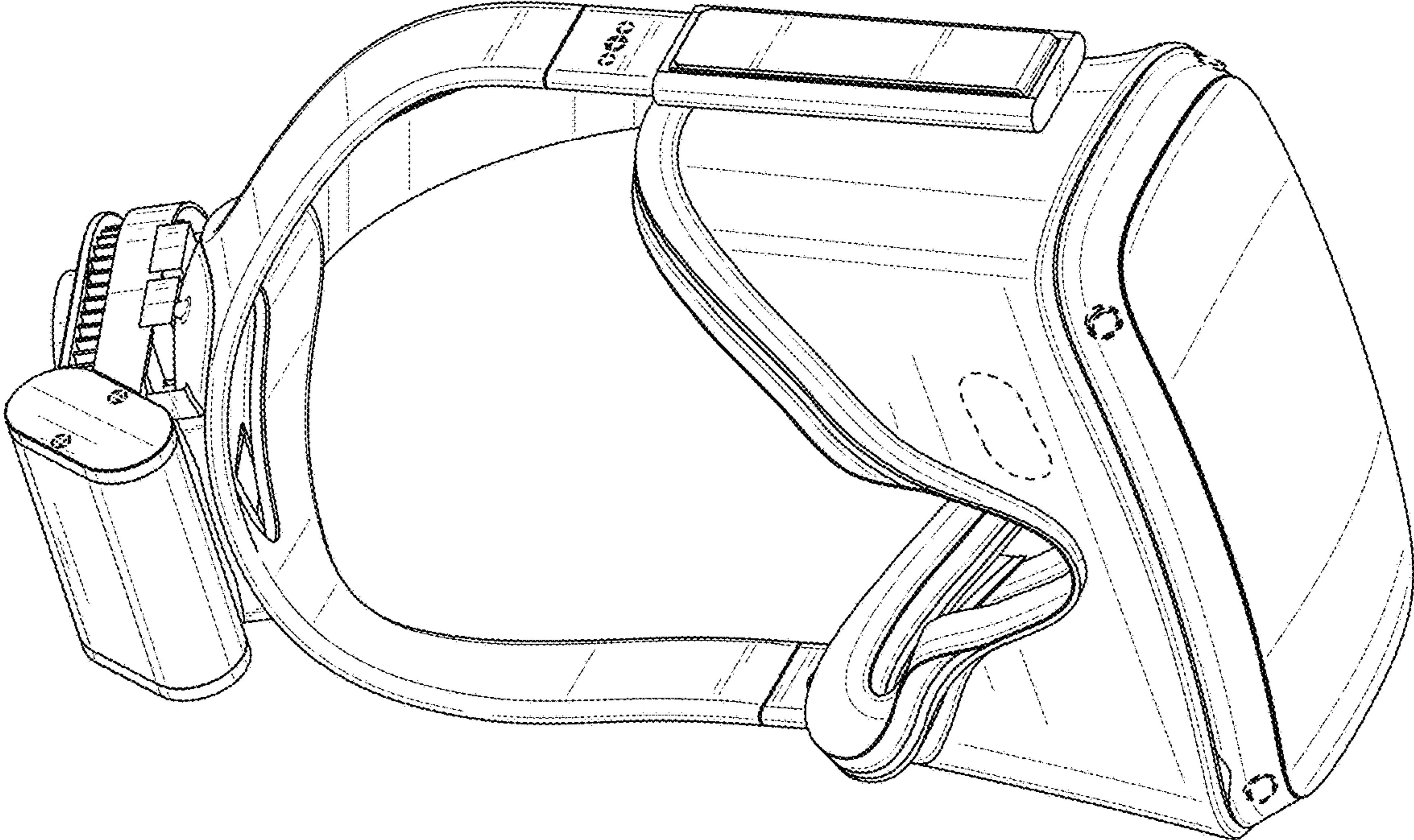


Fig. 1

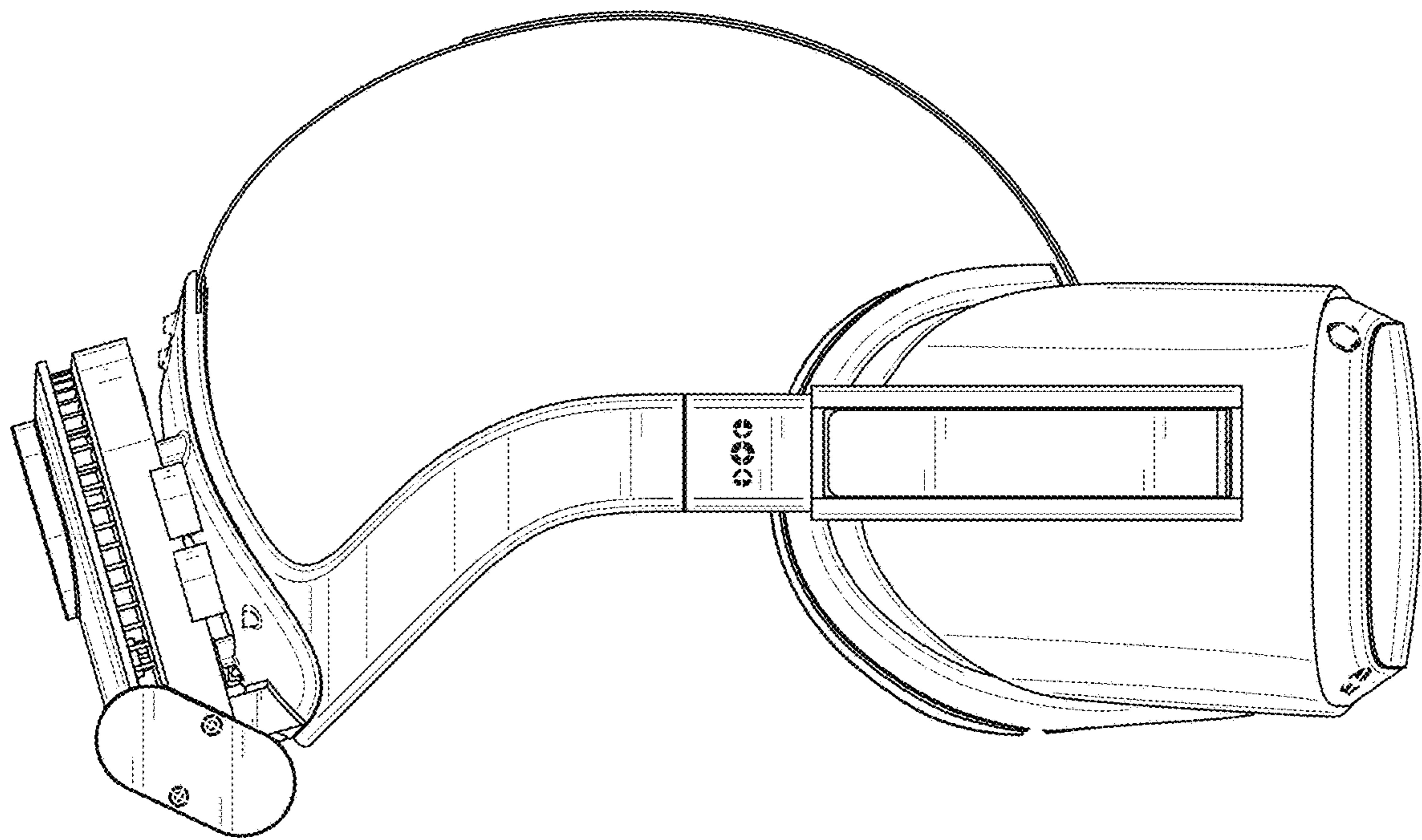


Fig. 2

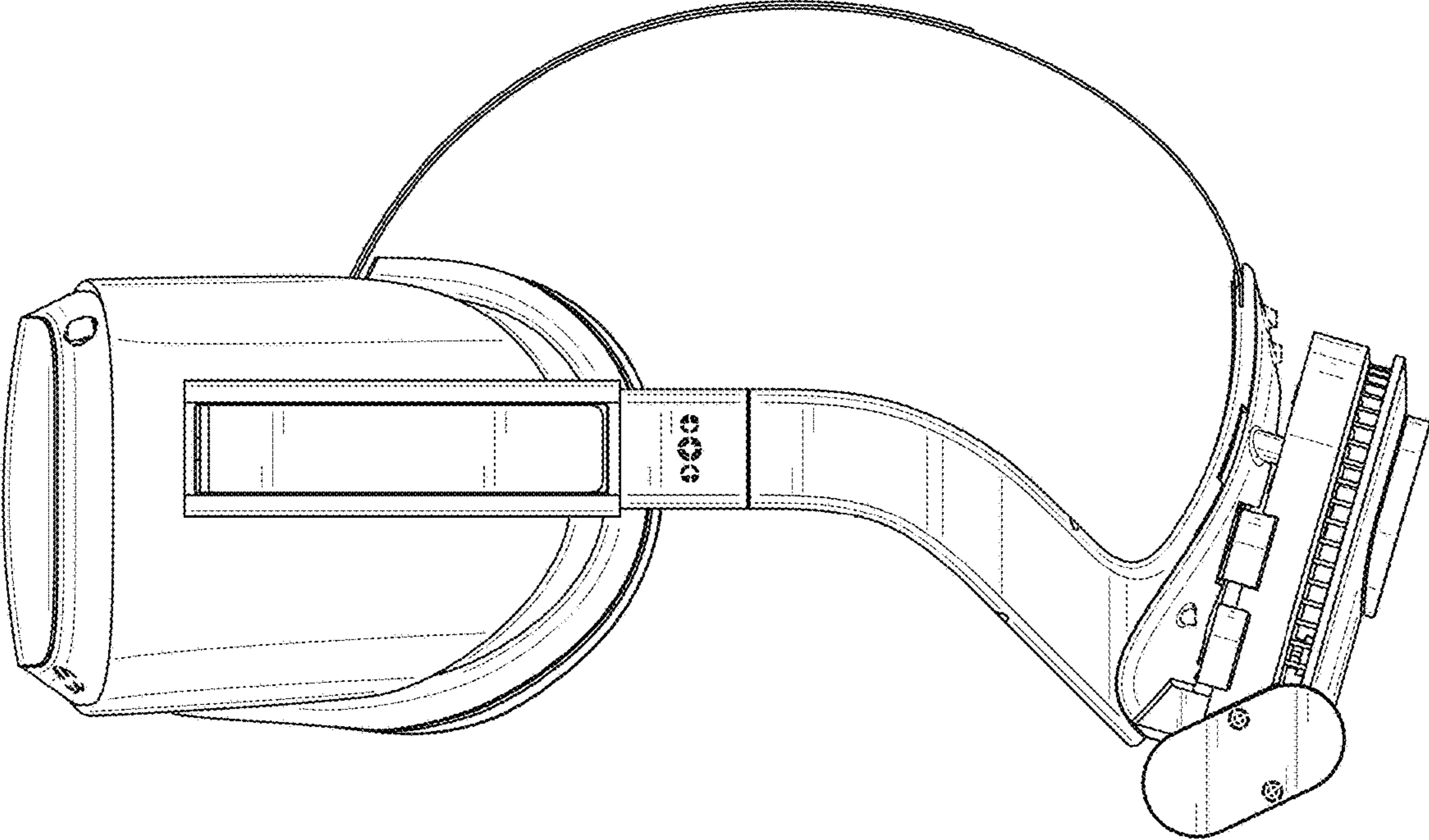


Fig. 3

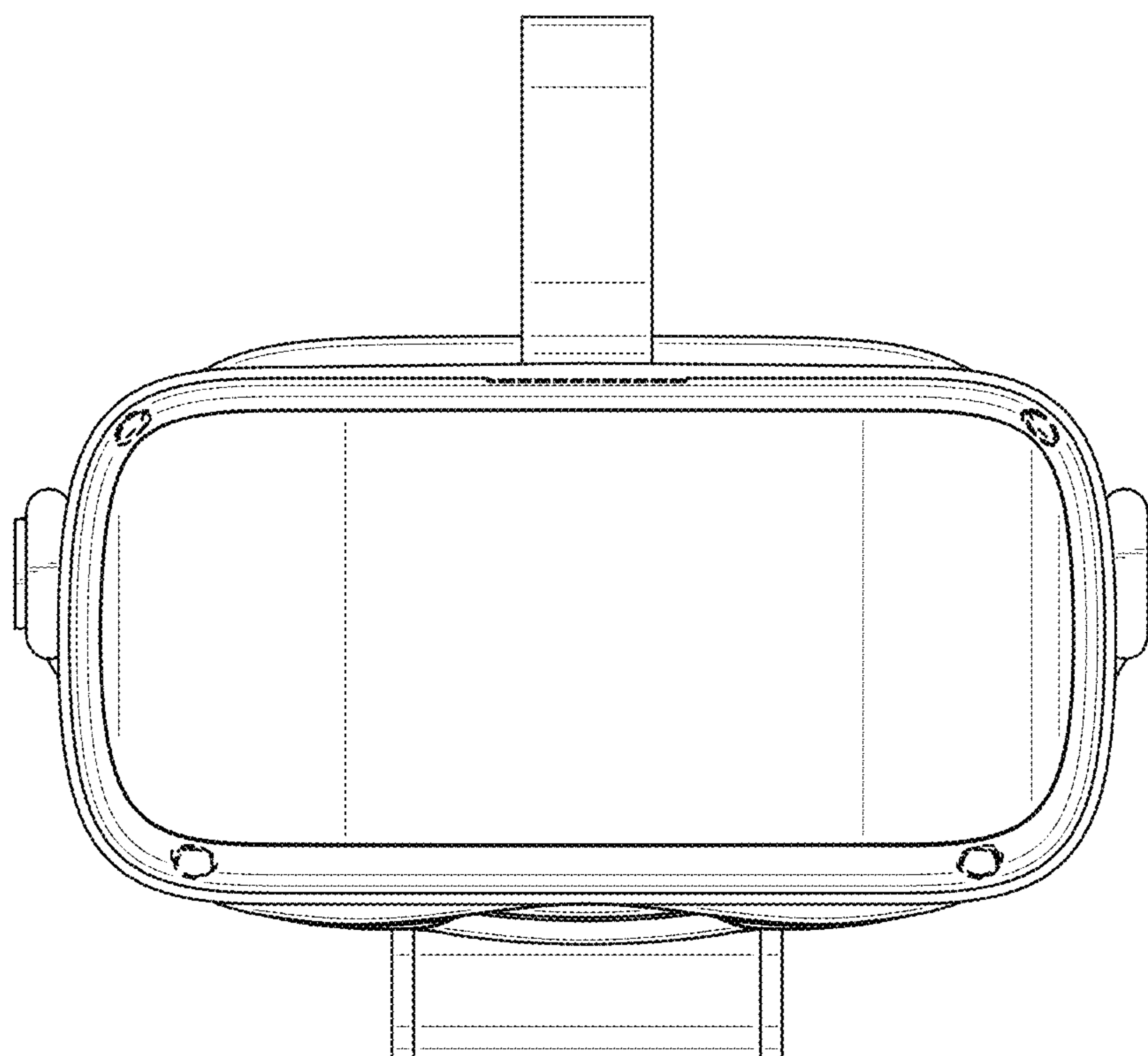


Fig. 4

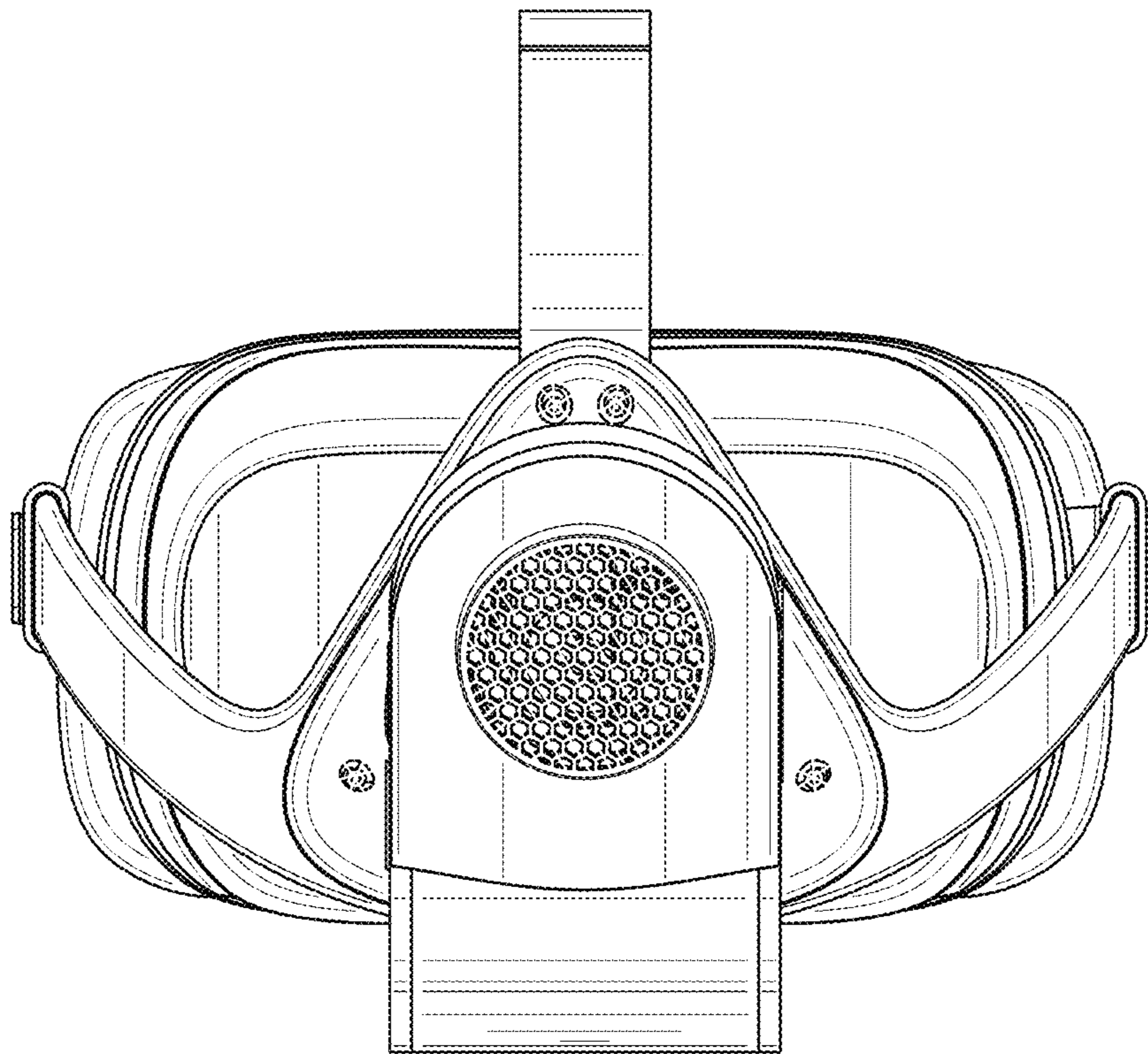


Fig. 5

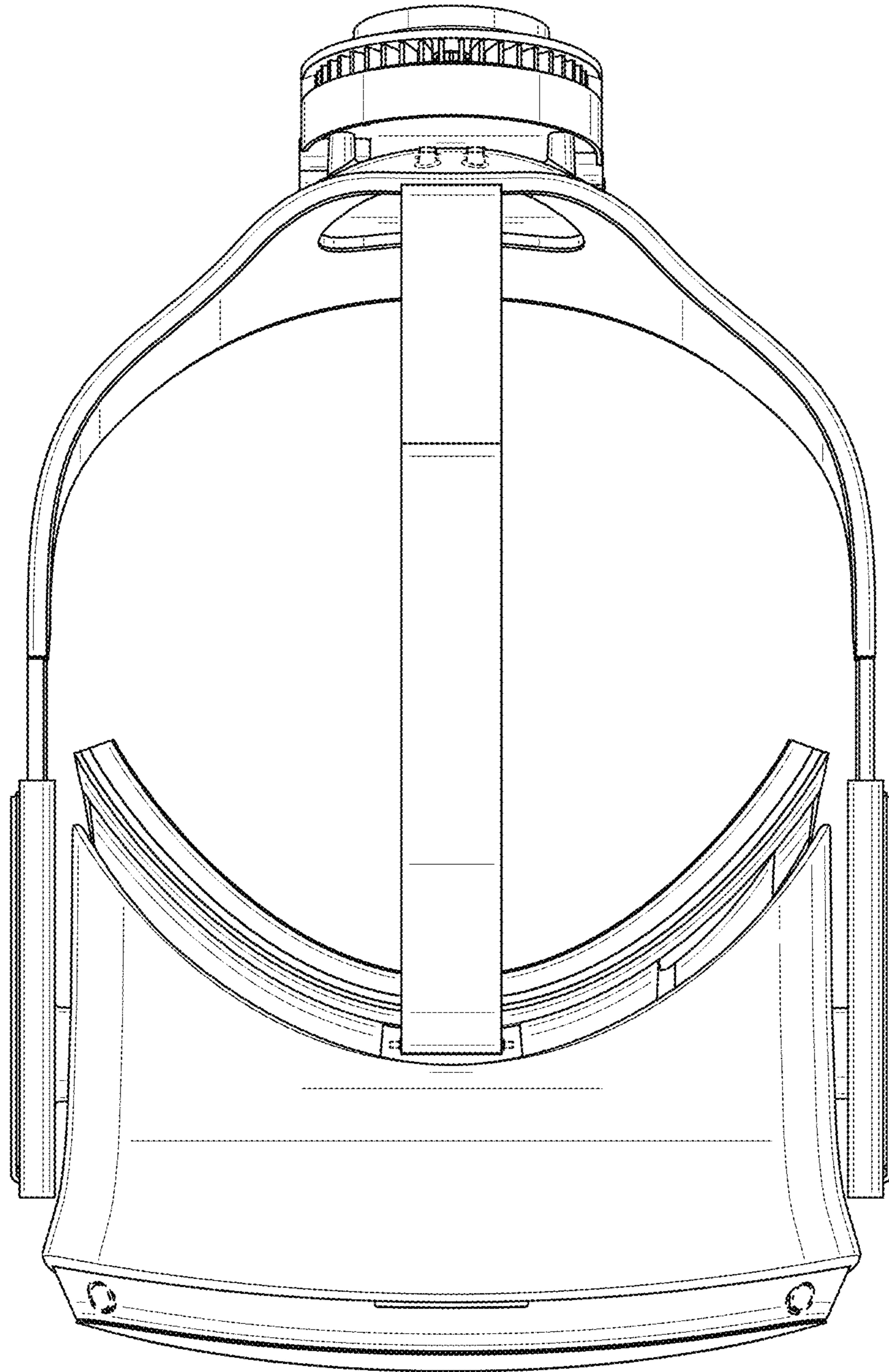


Fig. 6

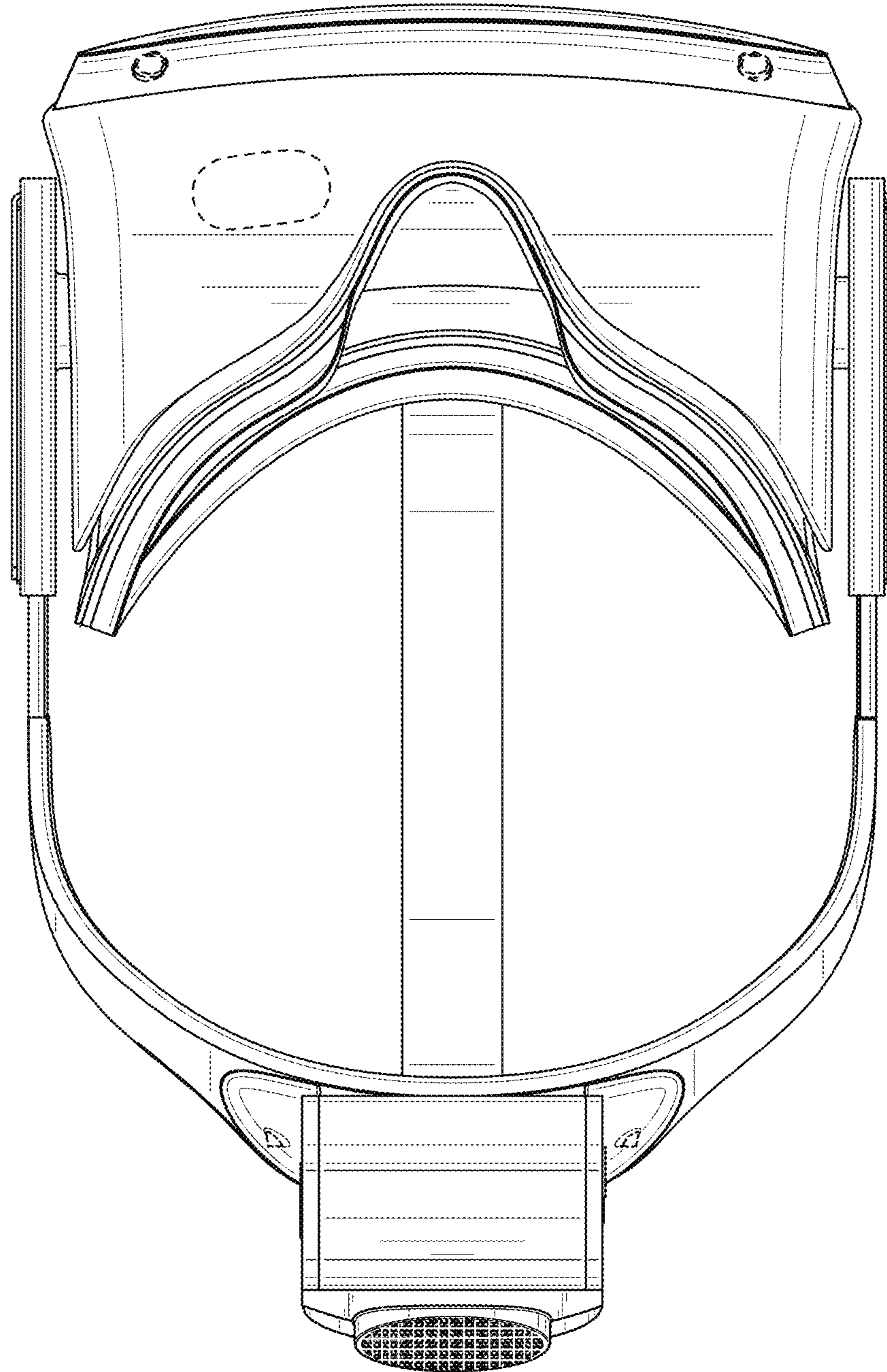


Fig. 7