



US00D810736S

(12) **United States Design Patent**
Lee et al.

(10) **Patent No.:** **US D810,736 S**
(45) **Date of Patent:** **** Feb. 20, 2018**

(54) **WATCH-TYPE PORTABLE DATA TERMINAL**

(71) Applicant: **Samsung Electronics Co., Ltd.**,
Suwon-si (KR)

(72) Inventors: **Yangjic Lee**, Gwacheon-si (KR);
Alexandre Antoine Rochat, Seoul
(KR)

(73) Assignee: **SAMSUNG ELECTRONICS CO.,
LTD.**, Gyeonggi-Do (KR)

(**) Term: **15 Years**

(21) Appl. No.: **29/568,908**

(22) Filed: **Jun. 22, 2016**

(30) **Foreign Application Priority Data**

Dec. 23, 2015 (KR) 30-2015-0066039

(51) **LOC (11) Cl.** **14-02**

(52) **U.S. Cl.**
USPC **D14/344**

(58) **Field of Classification Search**
USPC ... D14/344, 138 R, 144, 341, 358, 205, 223,
D14/249; D10/30-39, 70, 98; D11/3,
D11/93-94; D24/167, 169, 186-187,
D24/106, 173, 174, 175; 361/679.03;
379/433.1

CPC .. A41D 1/002; G06F 1/04; G06F 1/08; G06F
1/10; G06F 1/14; G06F 1/1626; G06F
1/1628; G06F 1/163; G06F 1/1635; G06F
1/3203; G06Q 20/10; G06Q 20/12; G06Q
20/108; G06Q 20/145; H04B 1/3833;
H04B 1/385; H04B 1/3888; H04M 1/02;
H04M 1/03; H04M 1/04; H04M 1/05;
H04M 1/667; H04M 1/6058; Y02B
60/1217

See application file for complete search history.

(56) **References Cited**

U.S. PATENT DOCUMENTS

1,763,929 A * 6/1930 Kellner A45C 11/22
224/170
4,087,989 A * 5/1978 Taran A44C 5/0084
63/11

D552,004 S * 10/2007 Varon D11/3
7,460,085 B2 * 12/2008 Ishii G06F 3/1423
345/1.1
D688,583 S * 8/2013 Bhang D11/3
D711,002 S * 8/2014 Ohnemus D24/186
D718,169 S * 11/2014 Birnbaum D11/3
D721,981 S * 2/2015 Choi D10/70
9,412,002 B2 * 8/2016 Magi G06K 9/0002

(Continued)

OTHER PUBLICATIONS

Bright LED Light Up Wristbands / Bracelets, posted Aug. 5, 2016,
[retrieved Sep. 29, 2017]. Retrieved from Internet, <URL: <https://www.amazon.com/Bright-Light-Wristbands-Bracelets-Pack/dp/B01H0WQGGC>>.*

(Continued)

Primary Examiner — Barbara Fox

Assistant Examiner — Kristin E Reed

(74) *Attorney, Agent, or Firm* — Cantor Colburn LLP

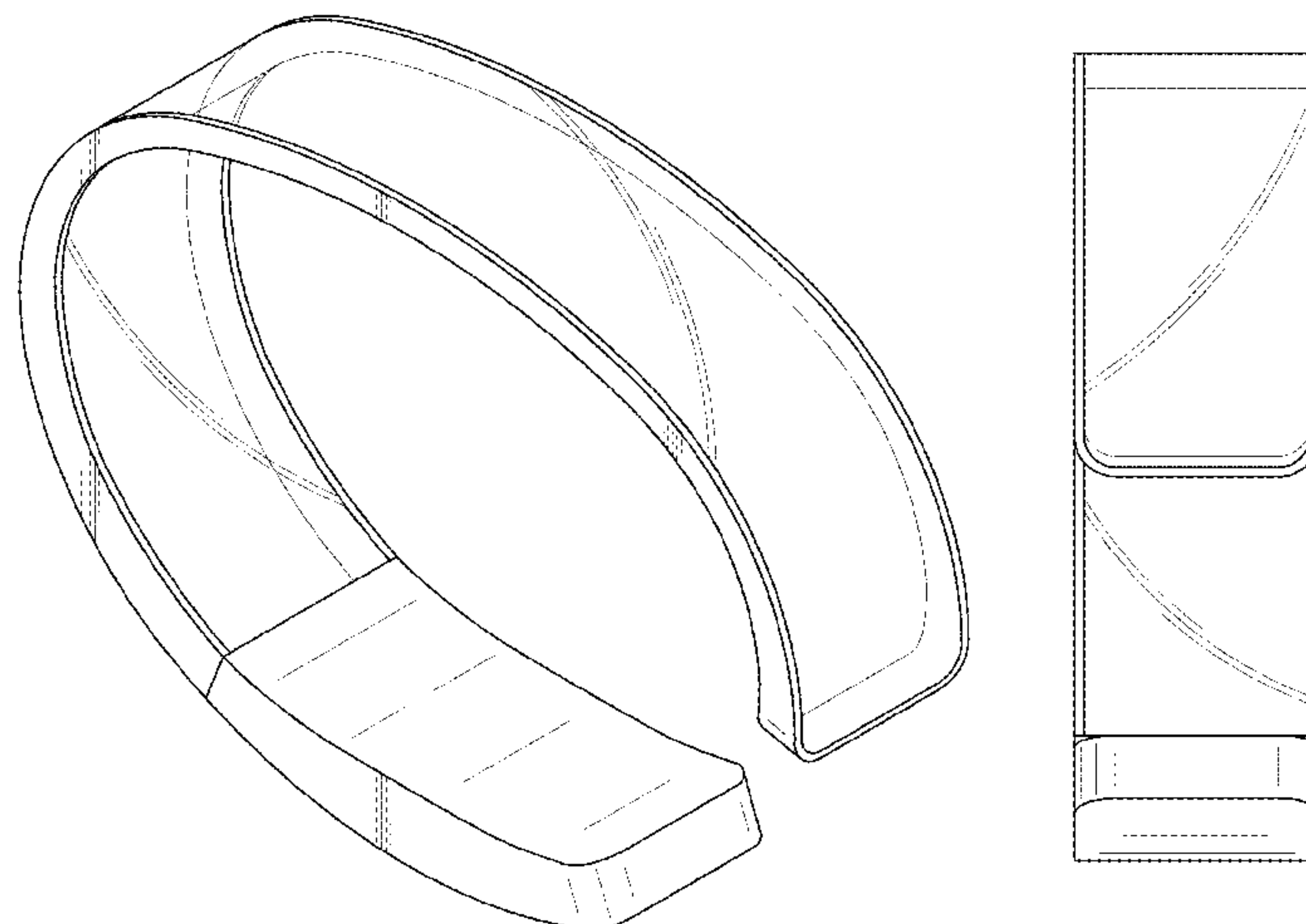
(57) **CLAIM**

The ornamental design for a watch-type portable data terminal, as shown and described.

DESCRIPTION

FIG. 1 is a front perspective view of a watch-type portable data terminal showing our new design;
FIG. 2 is a front view thereof;
FIG. 3 is a rear view thereof;
FIG. 4 is a left-side view thereof;
FIG. 5 is a right-side view thereof;
FIG. 6 is a top view thereof; and,
FIG. 7 is a bottom view thereof.

1 Claim, 4 Drawing Sheets



(56)

References Cited

U.S. PATENT DOCUMENTS

D768,300 S * 10/2016 Felix D14/344
D783,607 S * 4/2017 Lee D14/138 R
D788,627 S * 6/2017 Park D11/5
9,703,322 B2 * 7/2017 Lin G06F 1/163
2005/0034481 A1 * 2/2005 Saltz A44C 5/0023
63/3
2006/0202618 A1 * 9/2006 Ishii G04B 37/12
313/513

OTHER PUBLICATIONS

Happy 2015 flashing bracelet—tpu light up led wristband, posted Dec. 6, 2014, [retrieved Sep. 29, 2017]. Retrieved from Internet, <URL: https://www.youtube.com/watch?v=YnAu7Nw_CWc >.*

Asymmetrical Cuff—Open Cuff Bracelet, posted unknown, [retrieved Sep. 29, 2017]. Retrieved from Internet, <URL: https://www.etsy.com/listing/230728869/gold-brass-cuff-bracelet-asymmetrical?ga_order=most_relevant&ga_search_type=all&ga_view_type=gallery&ga_search_query=open+cuff+bracelet&ref=sr_gallery_28 >.*

Plain transparent acrylic clear bangle, posted unknown, [retrieved Sep. 28, 2017]. Retrieved from Internet, <URL: http://wholesaler.alibaba.com/product-detail/plain-transparent-acrylic-clear-bangle_60516449362.html?spm=a2700.7782932.1998701000.1.4f83231bEOAF1A >.*

* cited by examiner

FIG.1

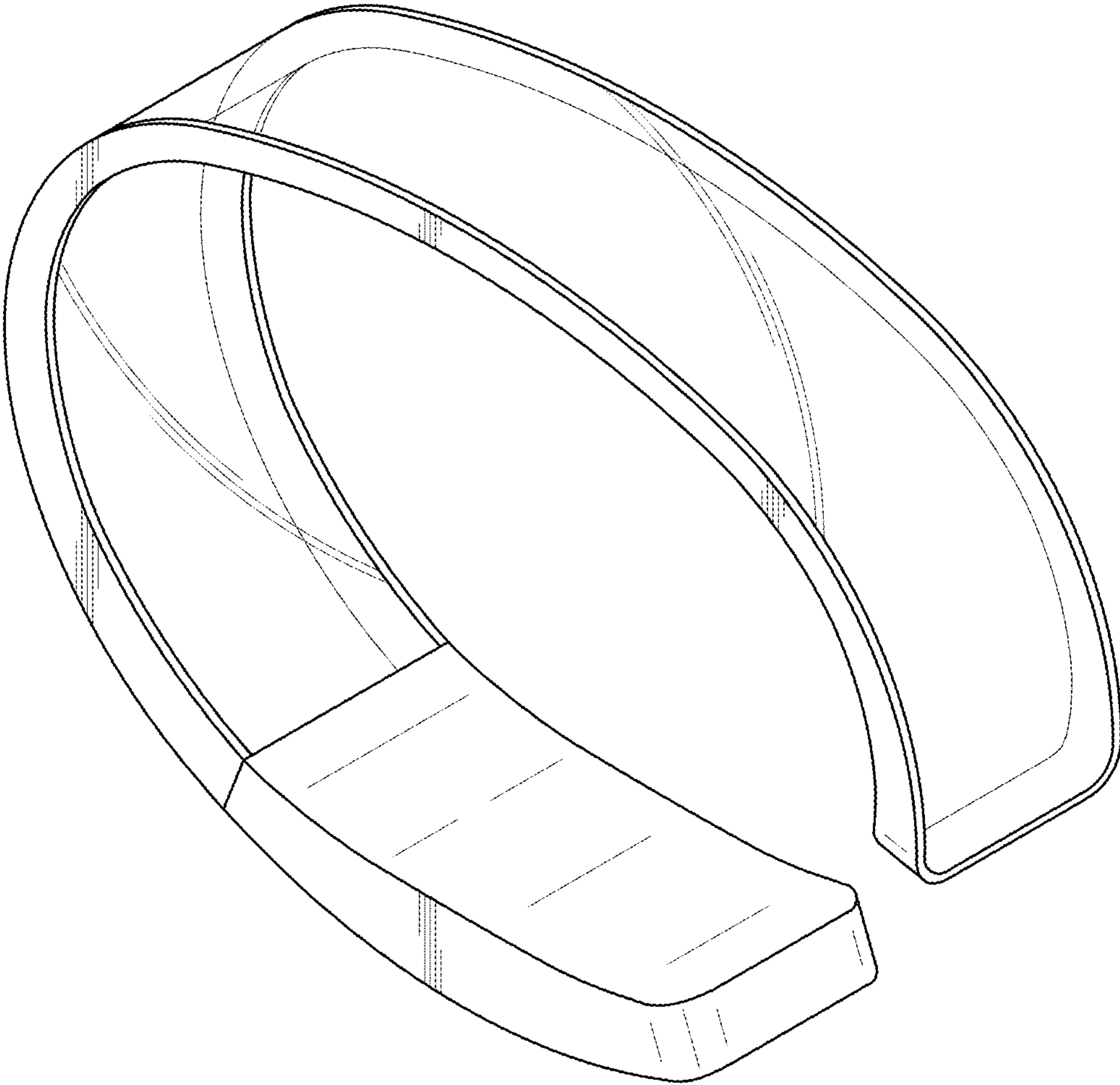


FIG.2

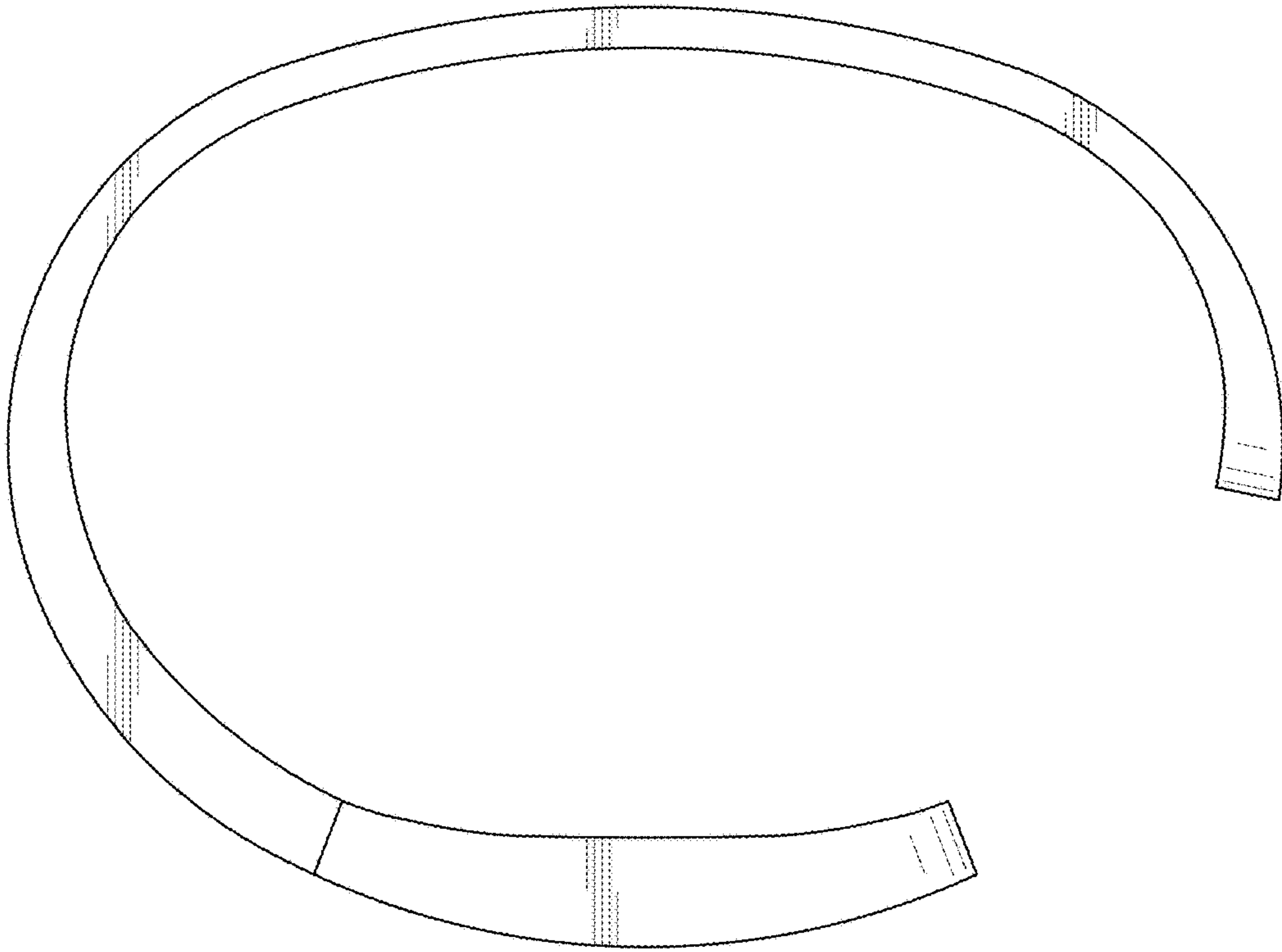


FIG.3

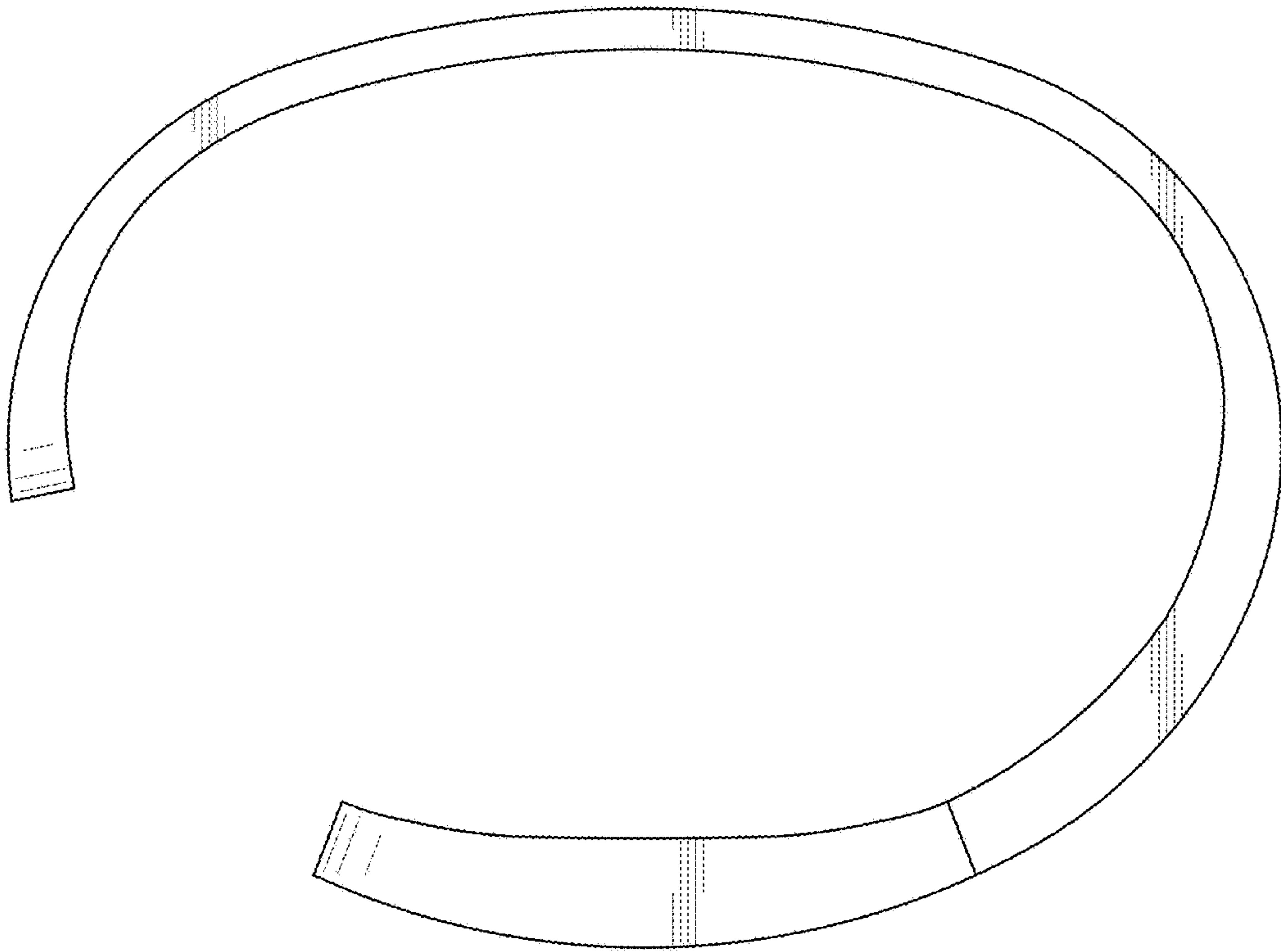


FIG.4

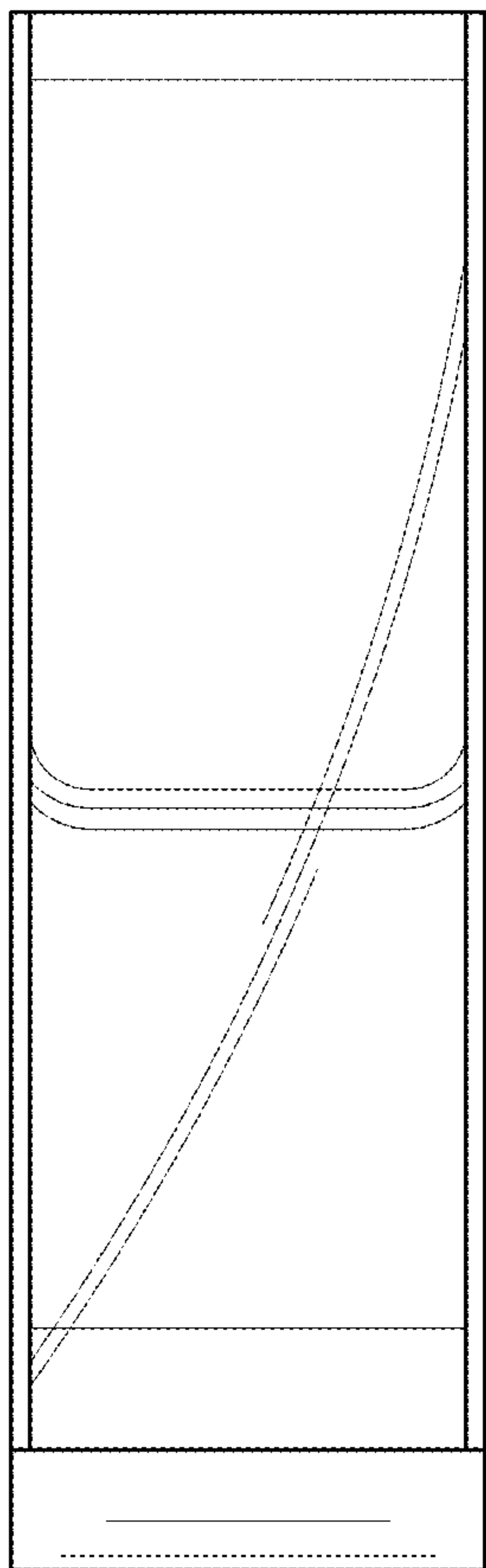


FIG.5

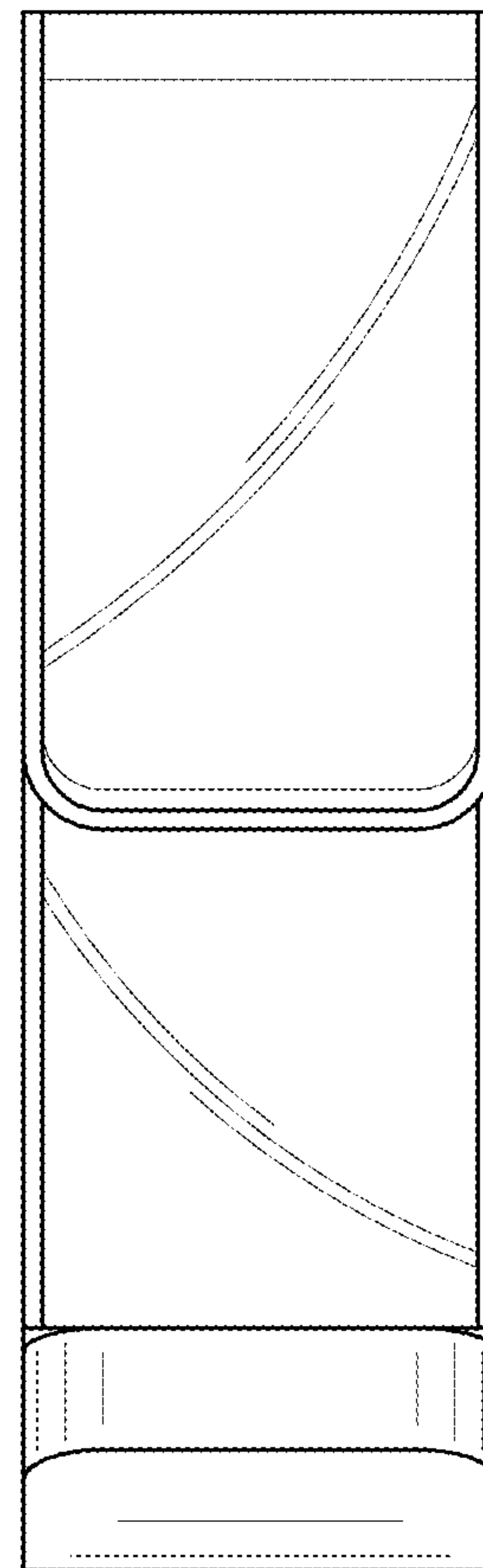


FIG.6

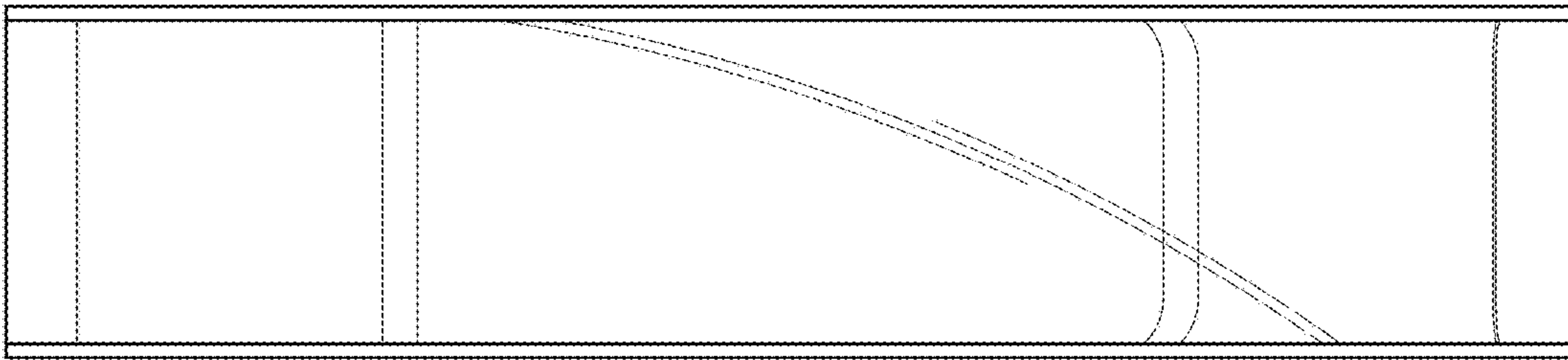


FIG.7

