



US00D810735S

(12) **United States Design Patent** (10) **Patent No.:** **US D810,735 S**  
**Lee et al.** (45) **Date of Patent:** **\*\* Feb. 20, 2018**

(54) **WATCH-TYPE PORTABLE DATA TERMINAL**

(56) **References Cited**

(71) Applicant: **SAMSUNG ELECTRONICS CO., LTD.**, Suwon-si (KR)

U.S. PATENT DOCUMENTS

(72) Inventors: **Yangjic Lee**, Gwacheon-si (KR);  
**Alexandre Antoine Rochat**, Seoul (KR)

2,871,592 A \* 2/1959 Polzin ..... G09F 3/005  
 24/574.1  
 D383,993 S \* 9/1997 Kalbach ..... D11/3  
 D552,004 S \* 10/2007 Varon ..... D11/3  
 7,460,085 B2 \* 12/2008 Ishii ..... G06F 3/1423  
 345/1.1  
 D671,858 S \* 12/2012 Cobbett ..... D11/3  
 D688,585 S \* 8/2013 Ohnemus ..... D11/3  
 D711,002 S \* 8/2014 Ohnemus ..... D24/186  
 D721,858 S \* 1/2015 Haigh ..... D29/120.2

(73) Assignee: **SAMSUNG ELECTRONICS CO., LTD.**, Gyeonggi-Do (KR)

(\*\*) Term: **15 Years**

(Continued)

(21) Appl. No.: **29/568,890**

OTHER PUBLICATIONS

(22) Filed: **Jun. 22, 2016**

Bright LED Light Up Wristbands / Bracelets, posted Aug. 5, 2016, [retrieved Sep. 29, 2017]. Retrieved from Internet, <URL: <https://www.amazon.com/Bright-Light-Wristbands-Bracelets-Pack/dp/B01H0WQGGC>>.\*

(30) **Foreign Application Priority Data**

Dec. 23, 2015 (KR) ..... 30-2015-0066040

(Continued)

(51) **LOC (11) Cl.** ..... **14-02**

*Primary Examiner* — Barbara Fox

(52) **U.S. Cl.**  
USPC ..... **D14/344**

*Assistant Examiner* — Kristin E Reed

(58) **Field of Classification Search**  
USPC ... D14/344, 138 R, 144, 341, 358, 205, 223,  
D14/249; D10/30-39, 70, 98; D11/3,  
D11/93-94; D24/167, 169, 186-187,  
D24/106, 173, 174, 175; 379/433.1;  
361/679.03

(74) *Attorney, Agent, or Firm* — Cantor Colburn LLP

CPC .. A41D 1/002; G06F 1/04; G06F 1/08; G06F  
1/10; G06F 1/14; G06F 1/1626; G06F  
1/1628; G06F 1/163; G06F 1/1635; G06F  
1/3203; G06Q 20/10; G06Q 20/12; G06Q  
20/108; G06Q 20/145; H04B 1/3833;  
H04B 1/385; H04B 1/3888; H04M 1/02;  
H04M 1/03; H04M 1/04; H04M 1/05;  
H04M 1/667; H04M 1/6058; Y02B  
60/1217

(57) **CLAIM**

The ornamental design for a watch-type portable data terminal, as shown and described.

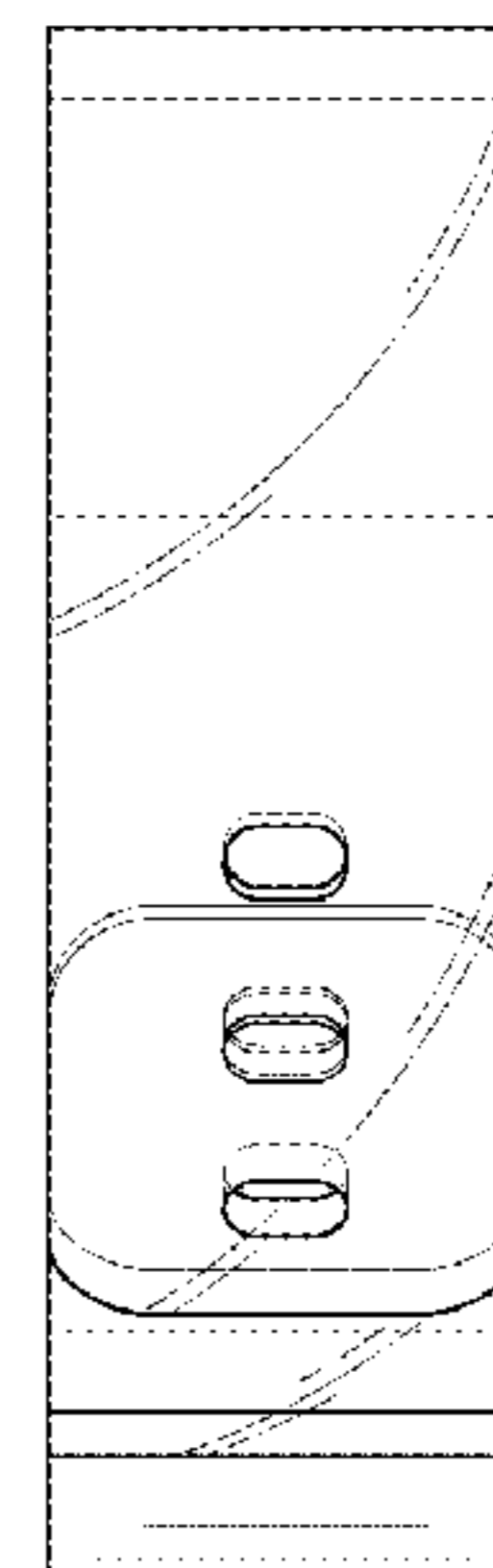
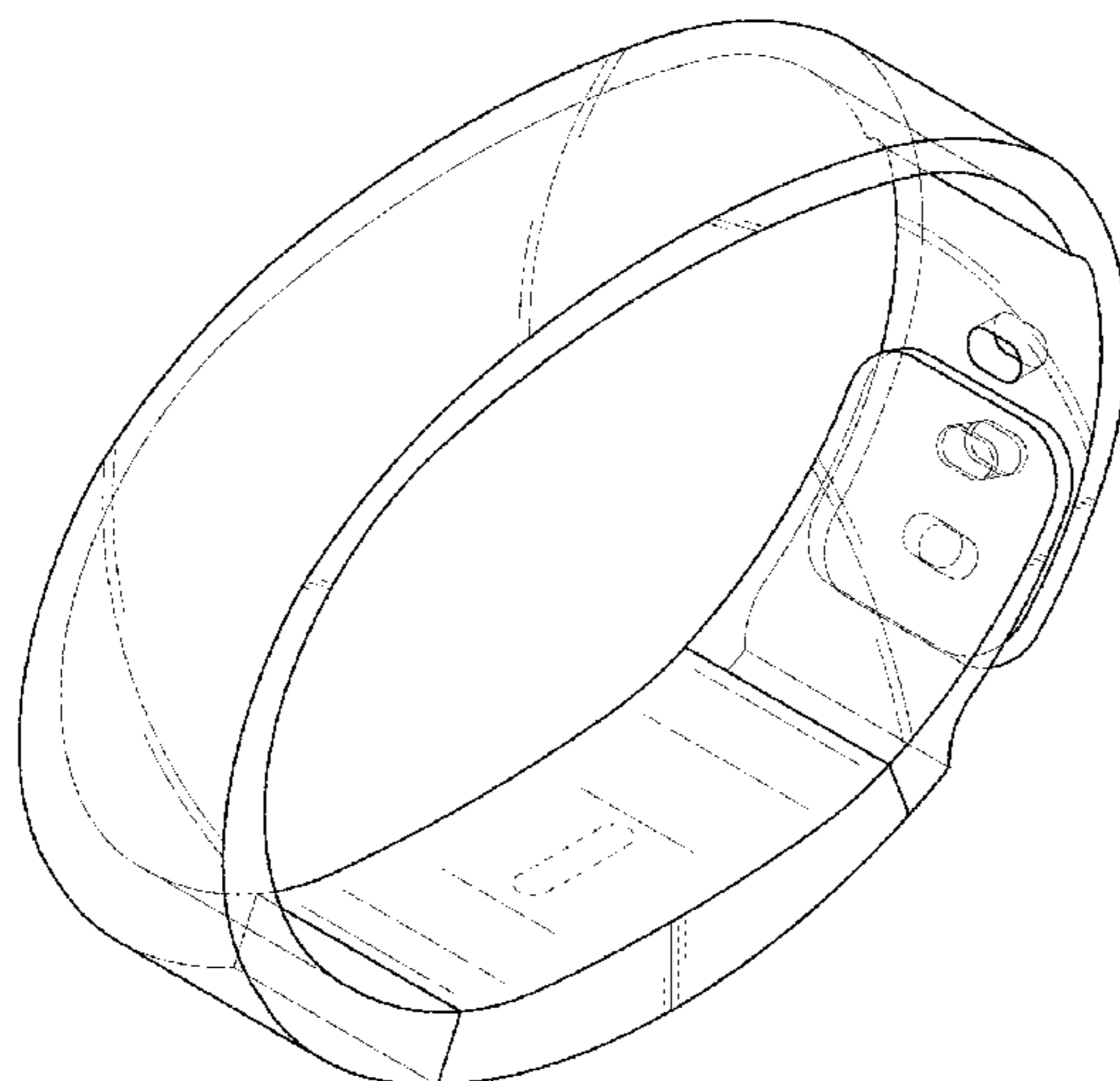
**DESCRIPTION**

FIG. 1 is a front perspective view of a watch-type portable data terminal showing our new design;  
FIG. 2 is a front view thereof;  
FIG. 3 is a rear view thereof;  
FIG. 4 is a left-side view thereof;  
FIG. 5 is a right-side view thereof;  
FIG. 6 is a top view thereof; and,  
FIG. 7 is a bottom view thereof.

The broken lines illustrating portions of the watch-type portable data terminal form no part of the claimed design.

See application file for complete search history.

**1 Claim, 4 Drawing Sheets**



(56)

**References Cited**

## U.S. PATENT DOCUMENTS

D732,994 S \* 6/2015 Wentz ..... D11/5  
D737,699 S \* 9/2015 Chang ..... D10/39  
D738,769 S \* 9/2015 Tan ..... D11/3  
D742,875 S \* 11/2015 Ji ..... D10/32  
9,274,555 B2 \* 3/2016 Otsuka ..... A61B 5/02422  
D757,721 S \* 5/2016 Dallmeyer ..... D14/344  
9,412,002 B2 \* 8/2016 Magi ..... G06K 9/0002  
D783,607 S \* 4/2017 Lee ..... D14/138 R  
D788,627 S \* 6/2017 Park ..... D11/5  
D793,272 S \* 8/2017 Tsang ..... D11/3  
2015/0313325 A1 \* 11/2015 West ..... A41H 43/00  
428/99

## OTHER PUBLICATIONS

Happy 2015 flashing bracelet—tpu light up led wristband, posted Dec. 6, 2014, [retrieved Sep. 29, 2017]. Retrieved from Internet, <URL: [https://www.youtube.com/watch?v=YnAu7Nw\\_CWc](https://www.youtube.com/watch?v=YnAu7Nw_CWc) >.\*  
Power Ionics New Power Titanium 2000 Ionic Ion Sports Energy Wristband Bracelet 6 Color, posted Jan. 2, 2014, [retrieved Sep. 29, 2017]. Retrieved from Internet, <URL: [https://www.amazon.com/Power-Ionics-Titanium-Wristband-Bracelet/dp/B00HMXYKMW/ref=pd\\_lpo\\_vtph\\_197\\_lp\\_t\\_3?\\_encoding=UTF8&refRID=W58WSXHTNWYRJP28YYNJ&th=1](https://www.amazon.com/Power-Ionics-Titanium-Wristband-Bracelet/dp/B00HMXYKMW/ref=pd_lpo_vtph_197_lp_t_3?_encoding=UTF8&refRID=W58WSXHTNWYRJP28YYNJ&th=1) >.\*

\* cited by examiner

FIG.1

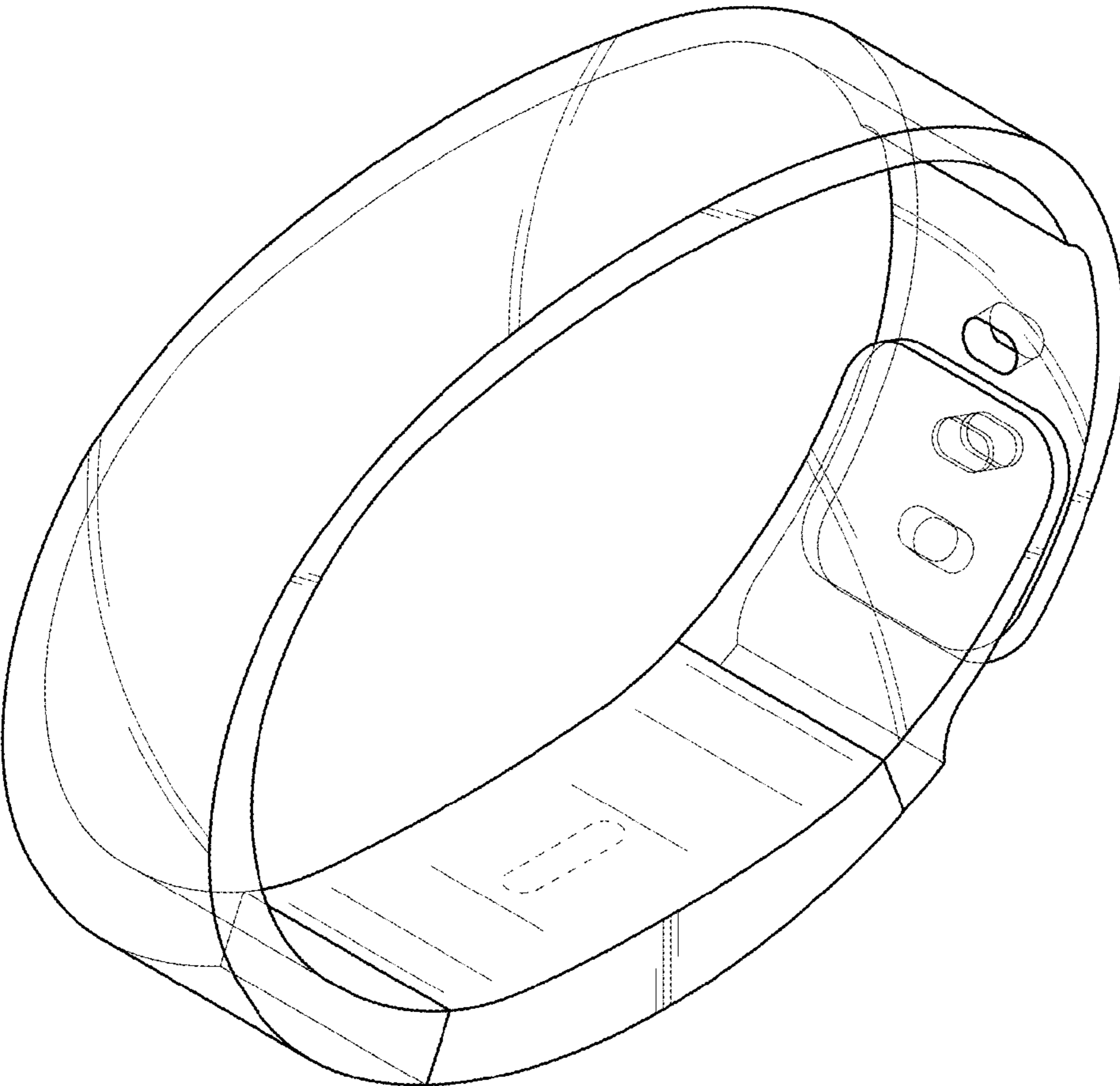


FIG.2

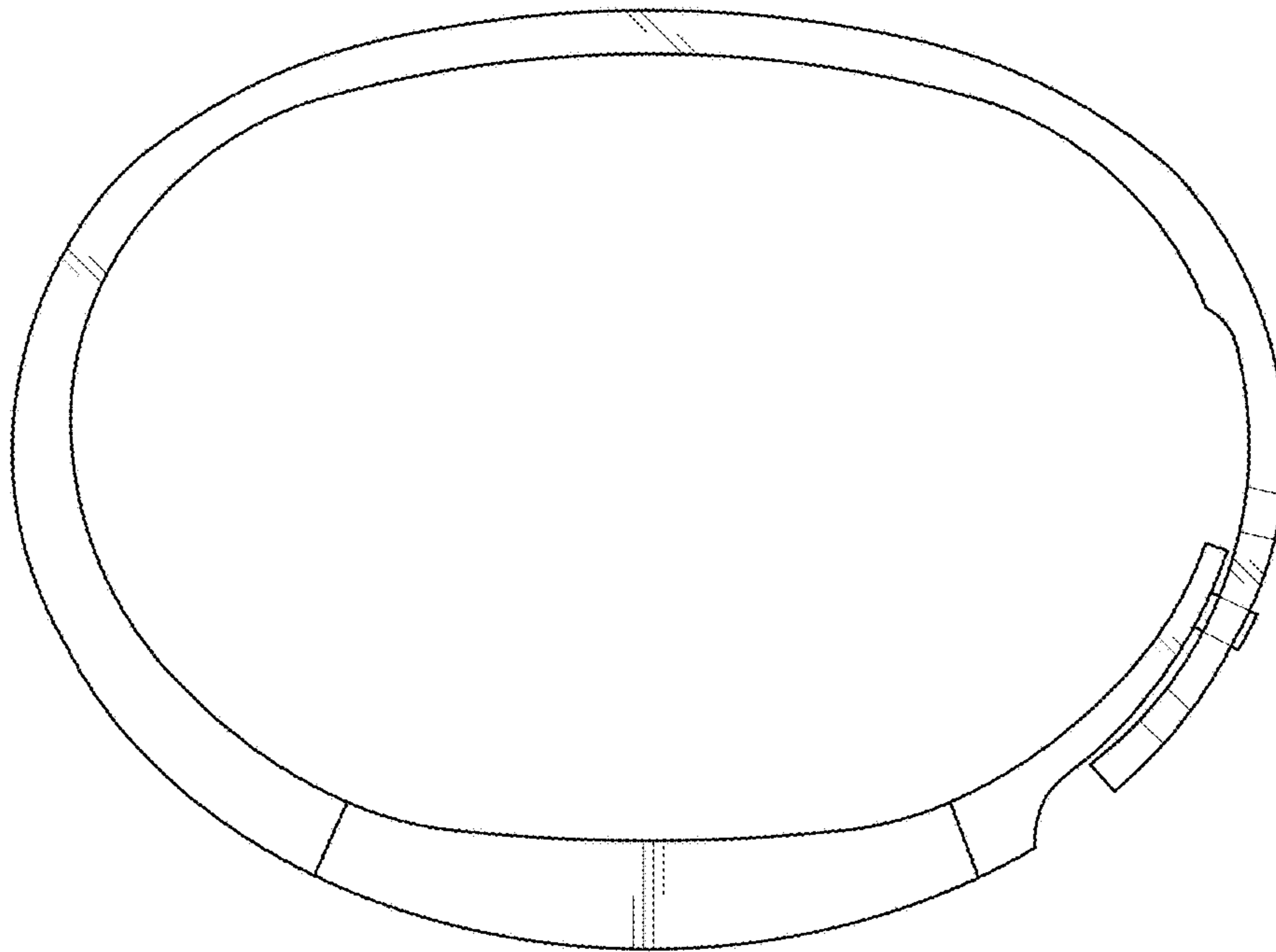


FIG.3

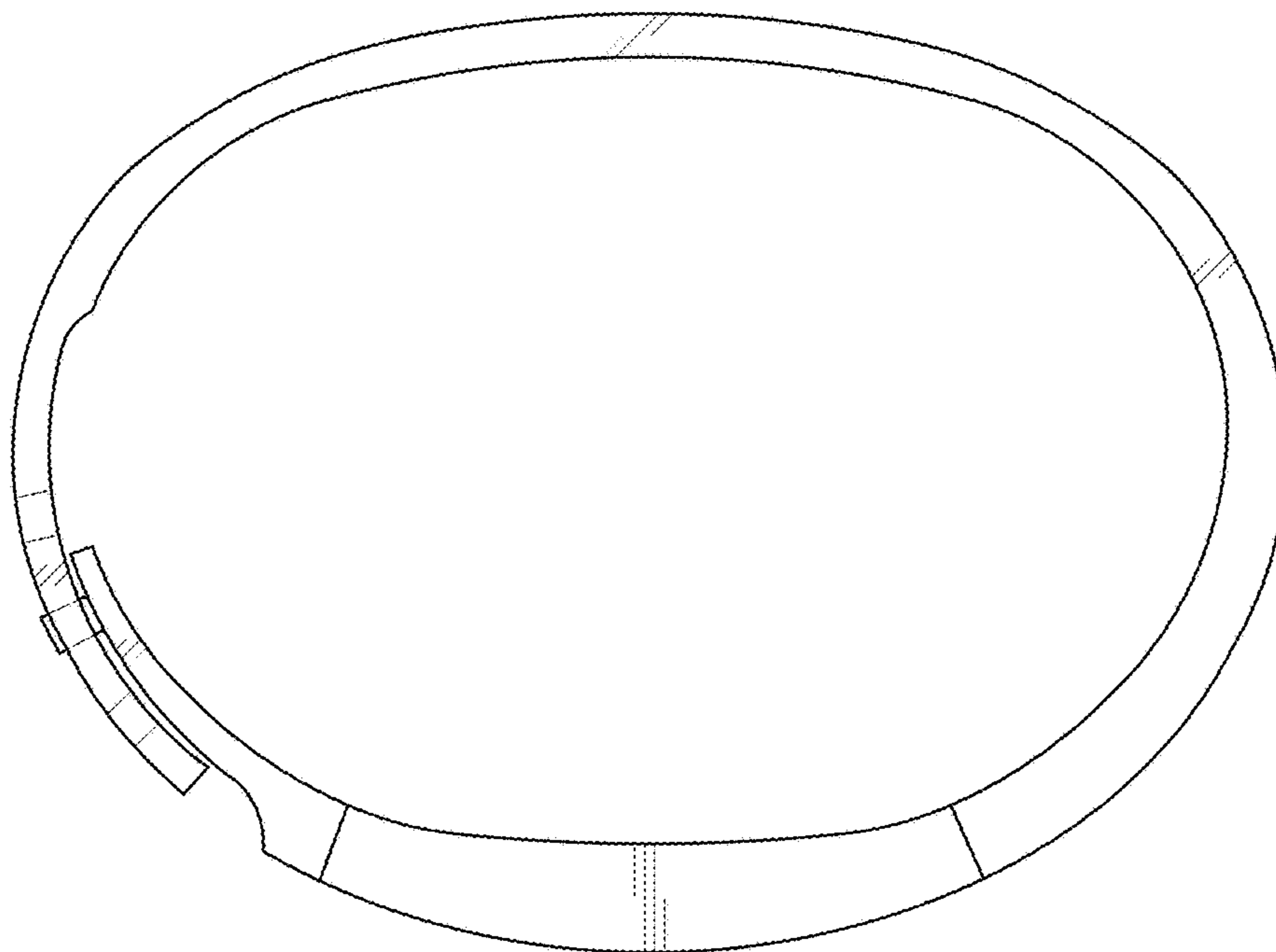


FIG.4

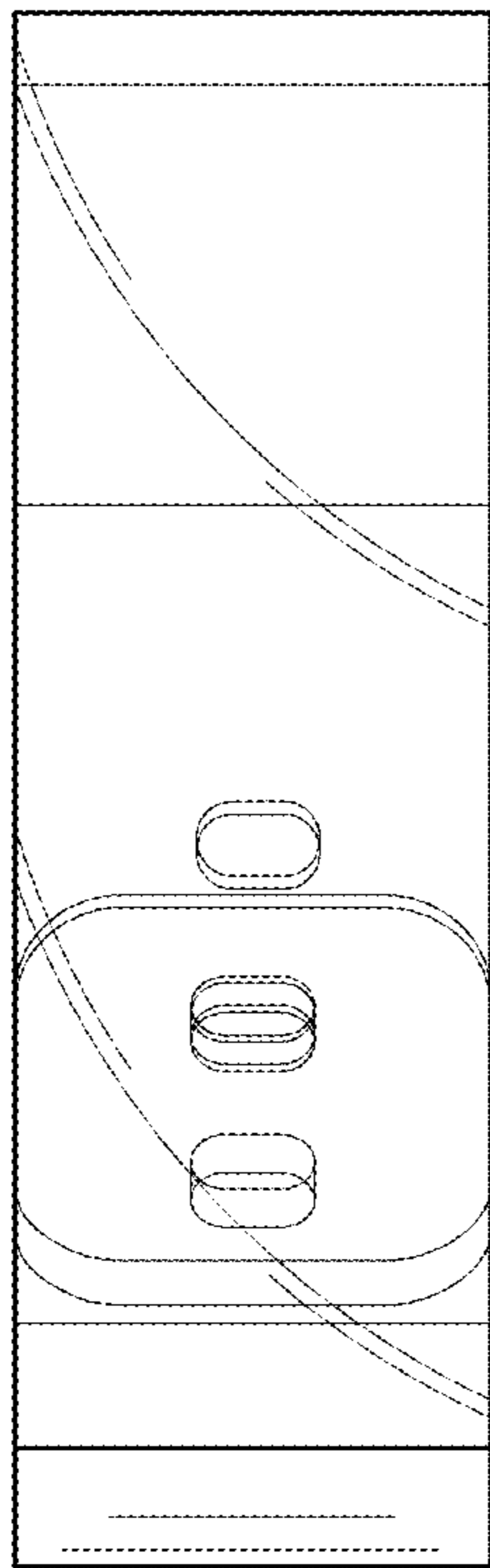


FIG.5

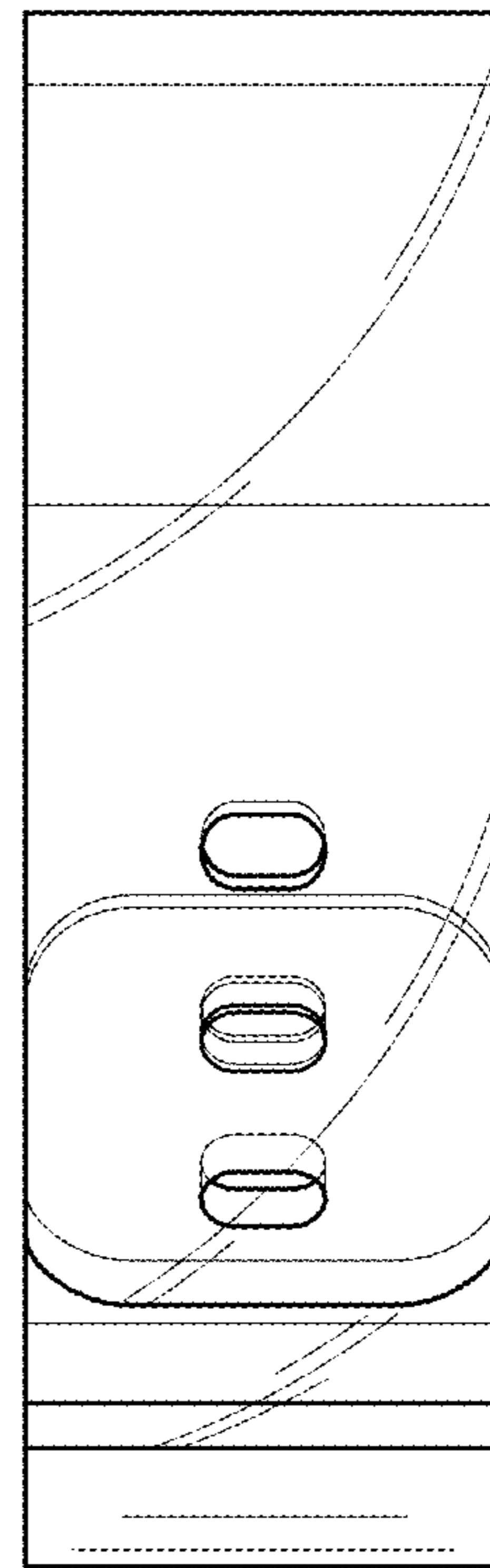


FIG.6

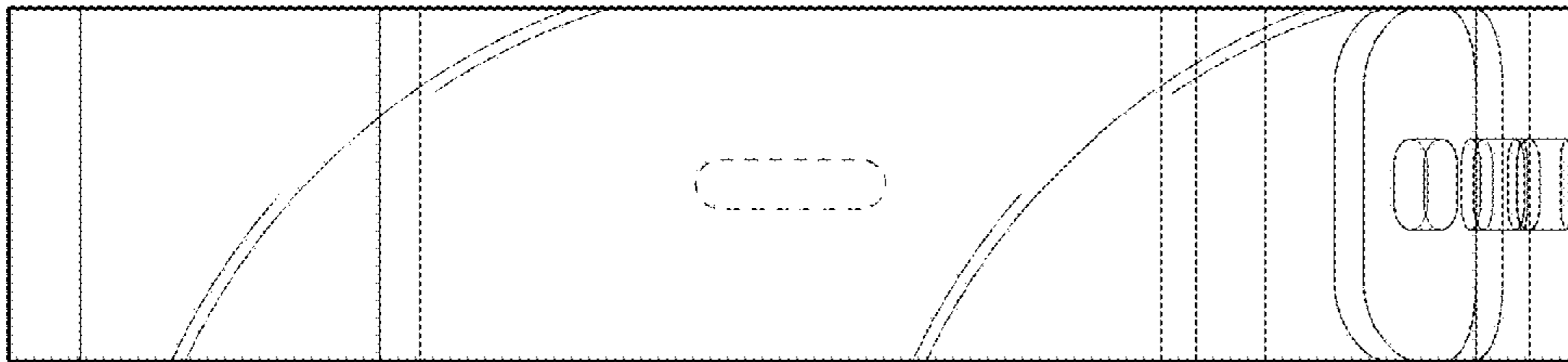


FIG.7

