



US00D810733S

(12) **United States Design Patent**  
**Kwak et al.**

(10) **Patent No.:** **US D810,733 S**  
(45) **Date of Patent:** **\*\* Feb. 20, 2018**

(54) **ELECTRONIC DEVICE**

- (71) Applicant: **Samsung Electronics Co., Ltd.**,  
Suwon-si (KR)
- (72) Inventors: **Ji-Yeon Kwak**, Seoul (KR); **Hae-Yoon Park**, Seoul (KR); **Yong-Yeon Lee**,  
Suwon-si (KR); **Eun-Young Lim**, Seoul  
(KR); **Eui-Ju Lee**, Guri-si (KR);  
**Yeon-Hee Jung**, Seoul (KR)
- (73) Assignee: **SAMSUNG ELECTRONICS CO., LTD.**,  
Gyeonggi-Do (KR)
- (\*\*) Term: **15 Years**
- (21) Appl. No.: **29/542,205**
- (22) Filed: **Oct. 12, 2015**
- (30) **Foreign Application Priority Data**

Apr. 15, 2015 (KR) ..... 30-2015-0019137

(51) **LOC (11) Cl.** ..... **14-02**

(52) **U.S. Cl.**  
USPC ..... **D14/344**

(58) **Field of Classification Search**

USPC ..... D2/623, 626, 639, 878; D8/88, 356;  
D10/30-39, 70, 98; D11/3, 87, 93-94,  
D11/200, 201, 210, 216, 218, 221,  
D11/230-231; D14/344, 138 R, 144,  
D14/358; D24/167, 169, 186-187  
CPC ..... G06F 1/163; G06F 1/1628; G06F 1/1626;  
G06F 1/1635; G06F 1/08; G06F 1/10;  
G06F 1/04; G06F 1/14; G06F 1/3203;  
A41D 1/002; H04M 1/02; H04M 1/03;  
H04M 1/04; H04M 1/05; H04M 1/667;  
Y02B 60/1217; H04B 1/385; H04B  
1/3888; G06Q

(Continued)

(56) **References Cited**

**U.S. PATENT DOCUMENTS**

D338,840 S \* 8/1993 Ueda ..... D10/98  
D367,533 S \* 2/1996 Pinchuk ..... D10/106.1

(Continued)

**FOREIGN PATENT DOCUMENTS**

CN	303102007	2/2015
EM	0016536190001	4/2010
JP	1458605	1/2013

**OTHER PUBLICATIONS**

Texas school district outfits teachers with GPS tracking devices, Copyright 2013-2014, pp. 1-5, Retrived from the Internet Jun. 10, 2015, <URL:http://www.cr8Onews.com/news-item/texas-school-district-outfits-teachers-with-gps-t . . . >.

*Primary Examiner* — Barbara Fox

*Assistant Examiner* — Kristin E Reed

(74) *Attorney, Agent, or Firm* — Cantor Colburn LLP

(57) **CLAIM**

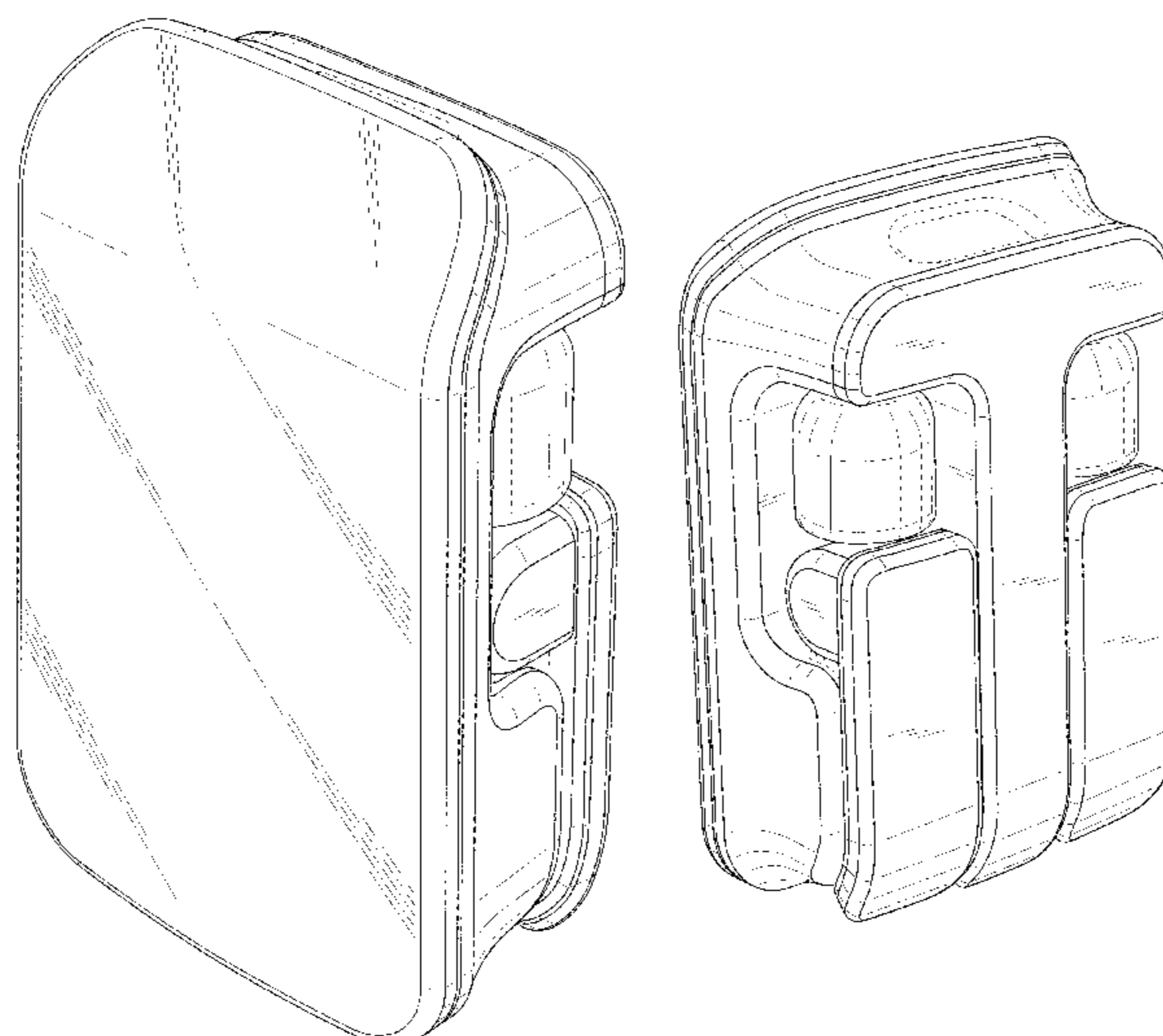
The ornamental design for an electronic device, as shown and described.

**DESCRIPTION**

FIG. 1 is a front perspective view of an electronic device, showing our new design;  
FIG. 2 is a front view thereof;  
FIG. 3 is a rear view thereof;  
FIG. 4 is a right side view thereof;  
FIG. 5 is a left side view thereof;  
FIG. 6 is a top plan view thereof;  
FIG. 7 is a bottom plan view thereof;  
FIG. 8 is a rear perspective view thereof; and,  
FIG. 9 is another front perspective view thereof in an environment of use.

The broken lines shown in FIGS. 1-8 depict portions of the electronic device. The broken lines shown in FIG. 9 depict an environment of use. The broken lines form no part of the claimed design.

**1 Claim, 7 Drawing Sheets**



(58) **Field of Classification Search**

CPC ..... 20/10; G06Q 20/108; G06Q 20/12; G06Q  
20/145

See application file for complete search history.

(56) **References Cited**

U.S. PATENT DOCUMENTS

D609,813	S	*	2/2010	Molden	.....	D24/167
D621,818	S	*	8/2010	Johnson	.....	D14/225
D645,371	S	*	9/2011	Ueda	.....	D10/98
D647,920	S		11/2011	Luo		
D725,072	S	*	3/2015	Kim	.....	D10/38
8,988,862	B2	*	3/2015	Yuen	.....	A63B 71/0669 345/156
D755,786	S	*	5/2016	Lapetina	.....	D14/344
D772,746	S	*	11/2016	Henne	.....	D10/70
D778,185	S	*	2/2017	Ookawa	.....	D10/104.1
D779,351	S	*	2/2017	Kawakami	.....	D10/98
D781,425	S	*	3/2017	Dascoli	.....	D24/167
2014/0015743	A1	*	1/2014	Seo	.....	G06F 1/1694 345/156

\* cited by examiner

FIG. 1

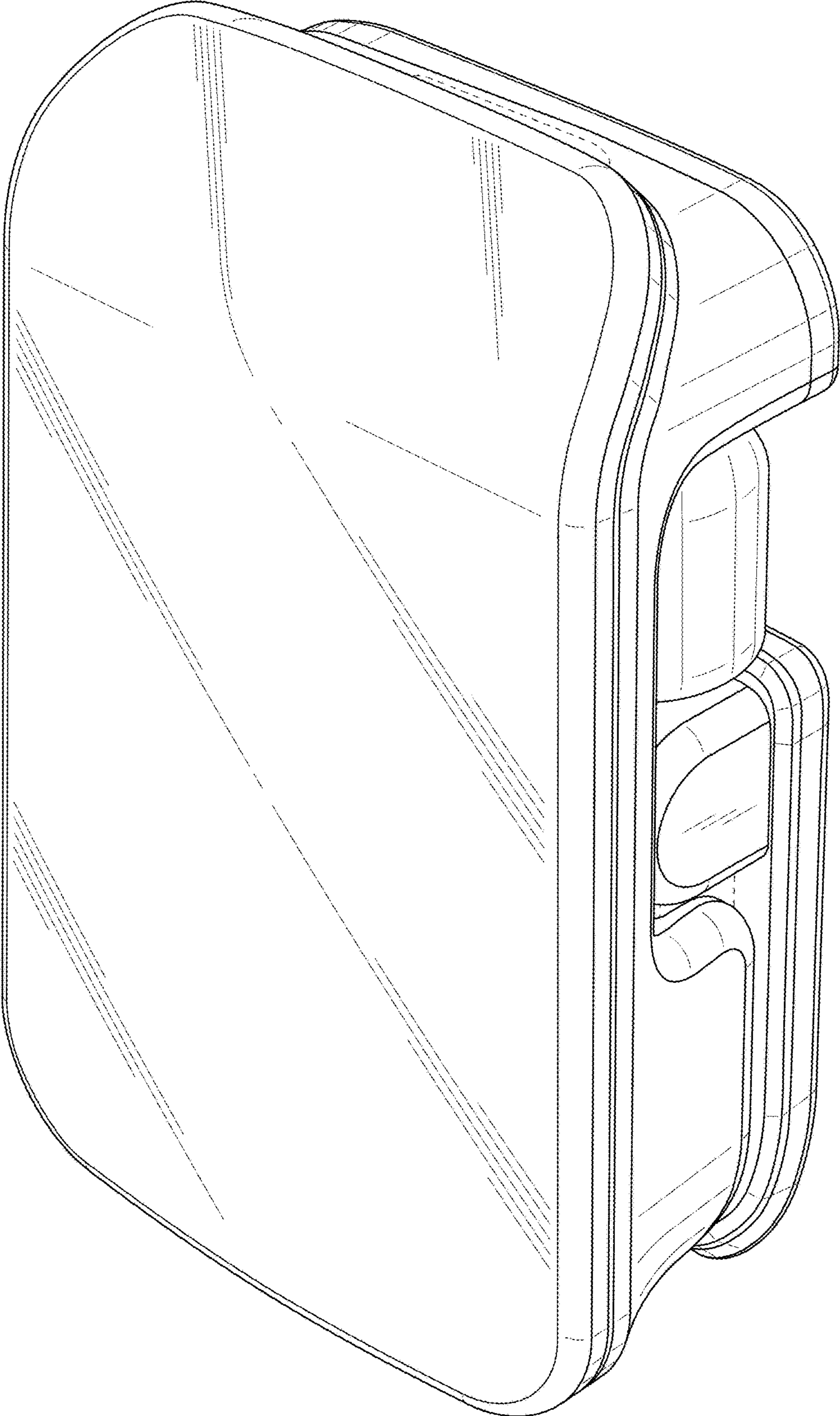


FIG. 2

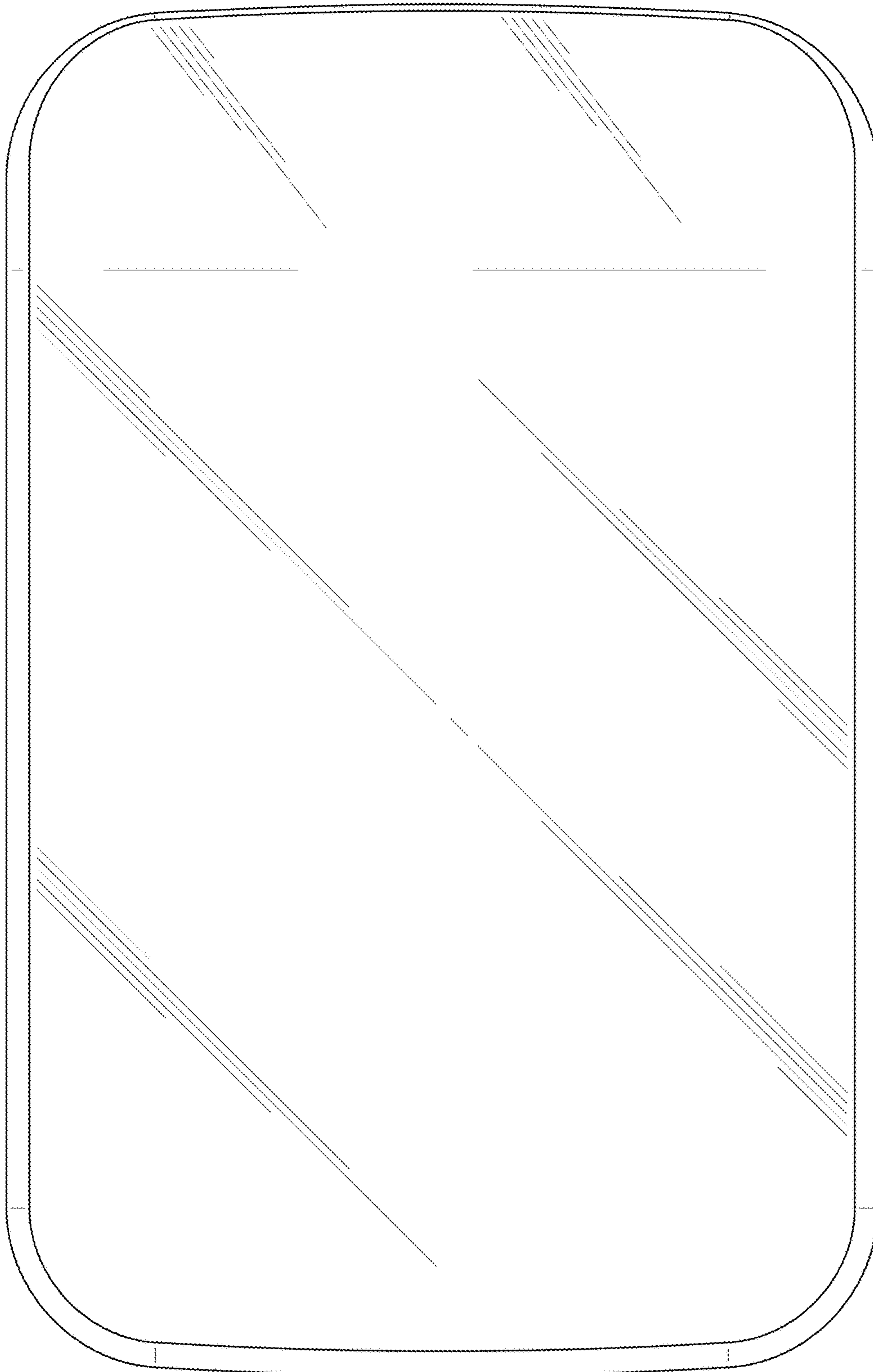




FIG. 3

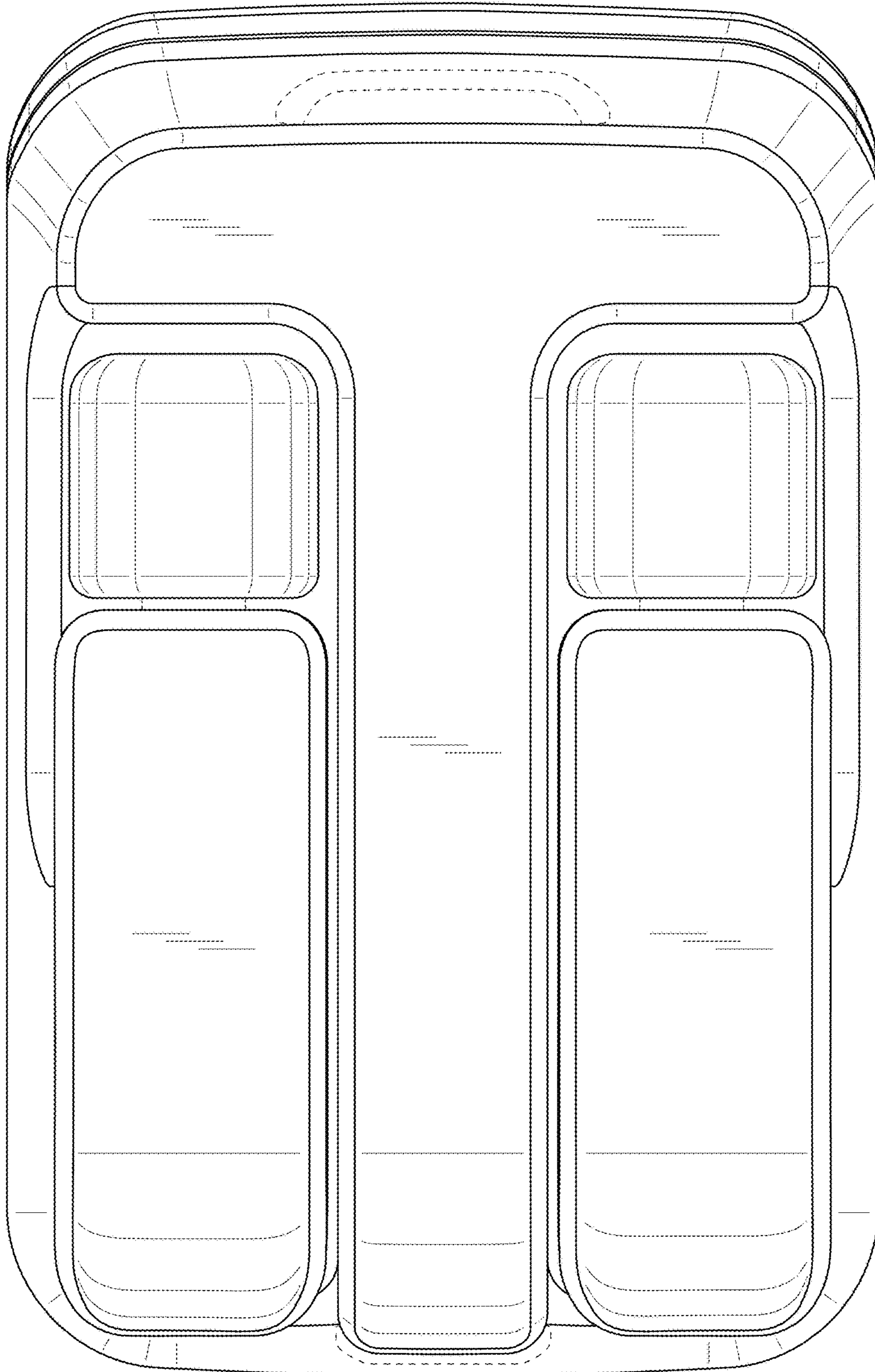


FIG. 4

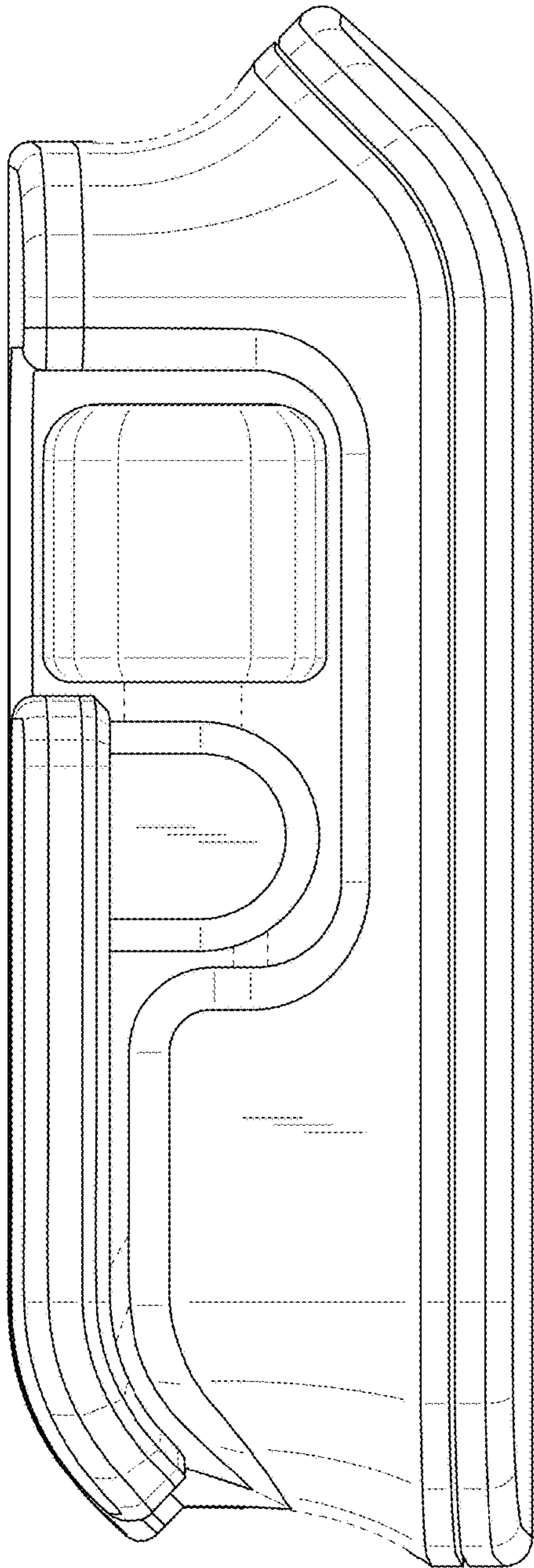


FIG. 5

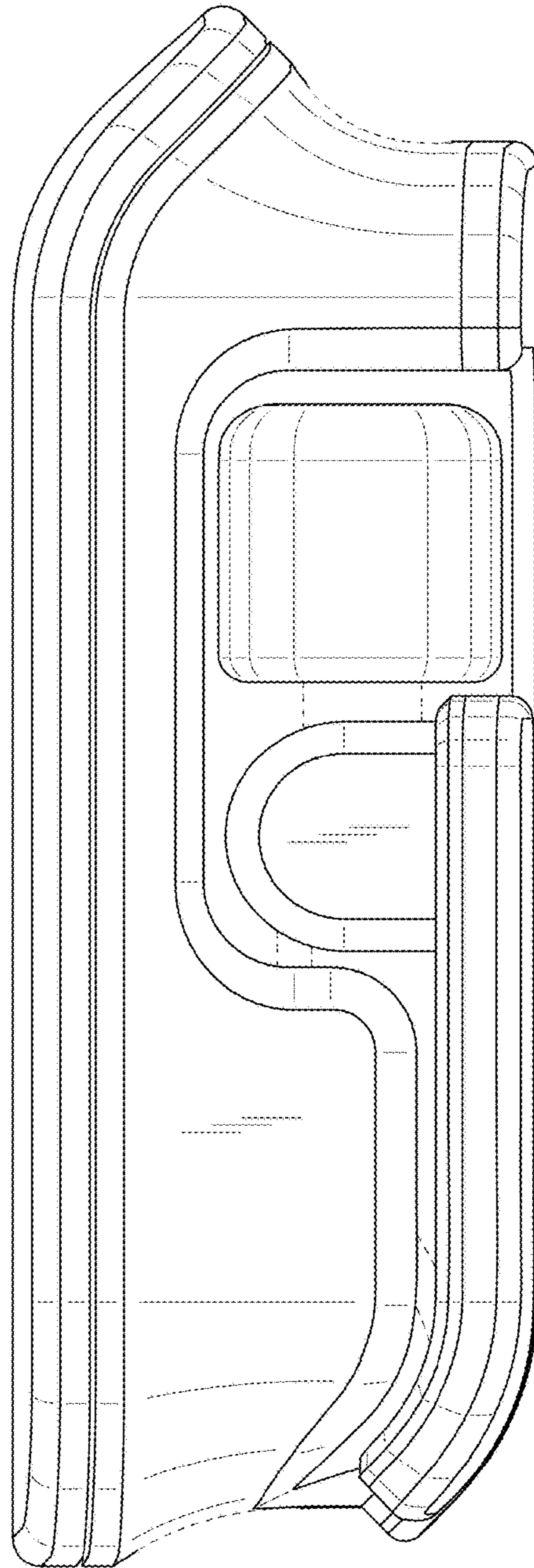


FIG. 6

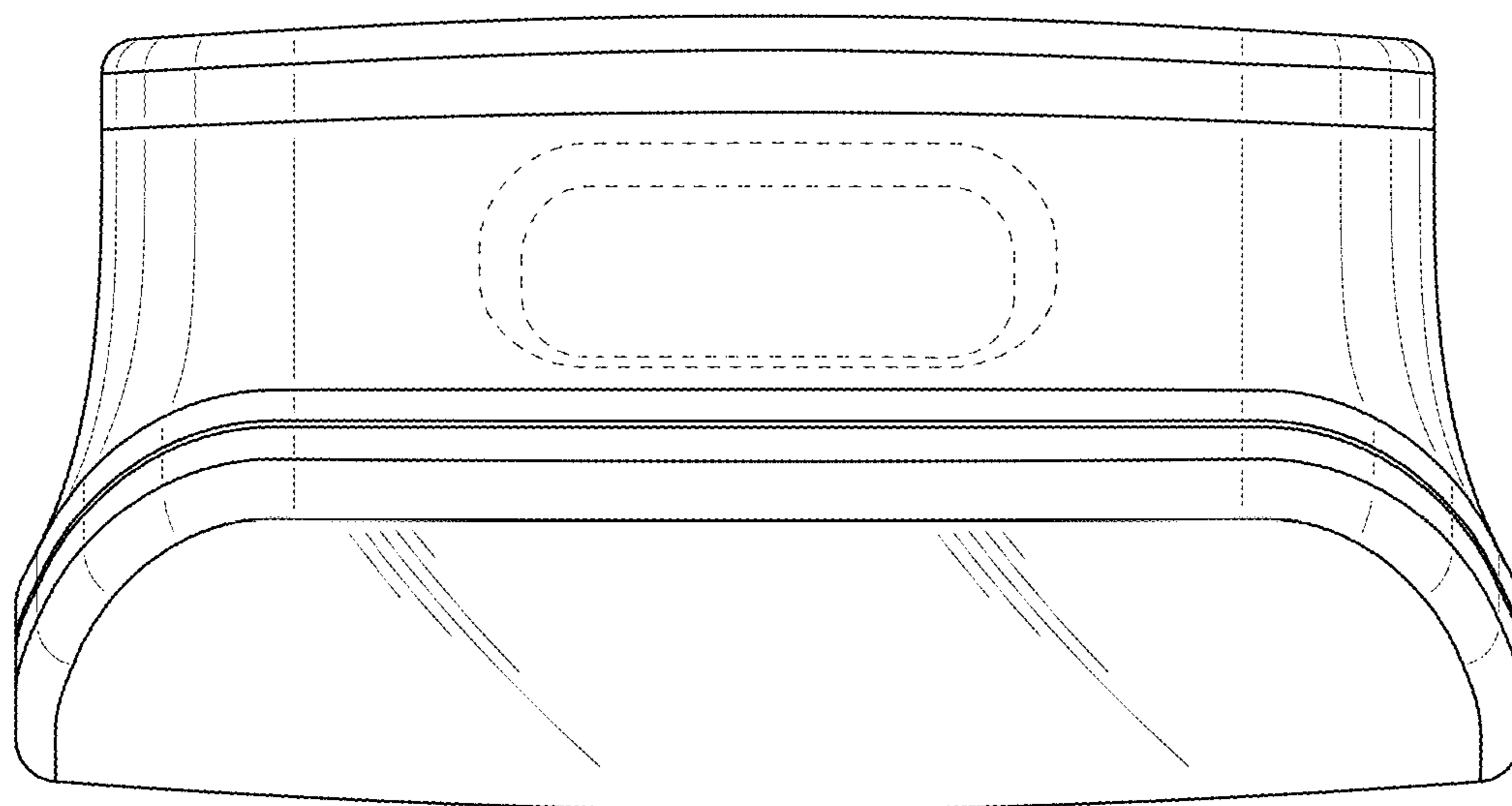


FIG. 7

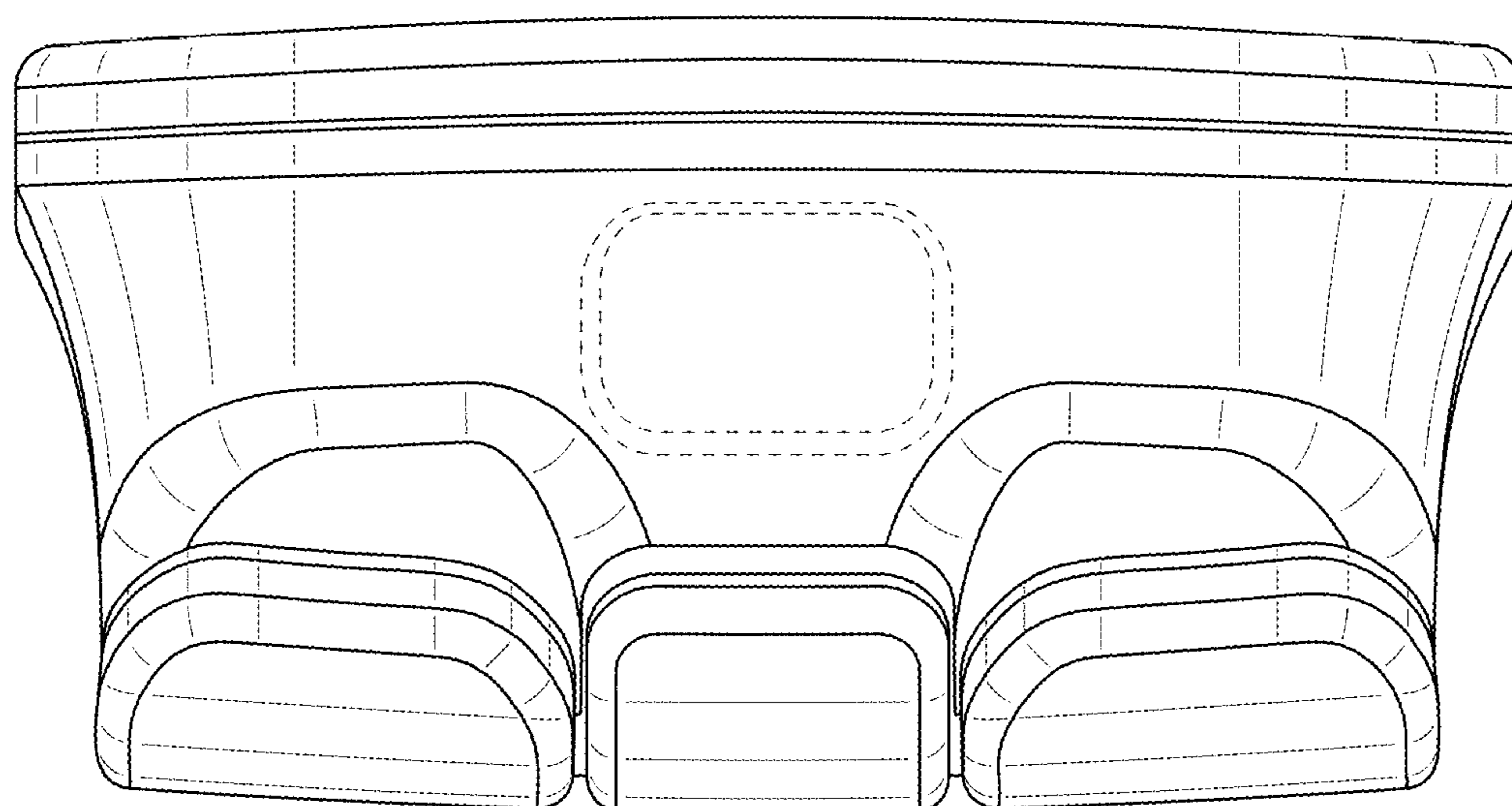


FIG. 8

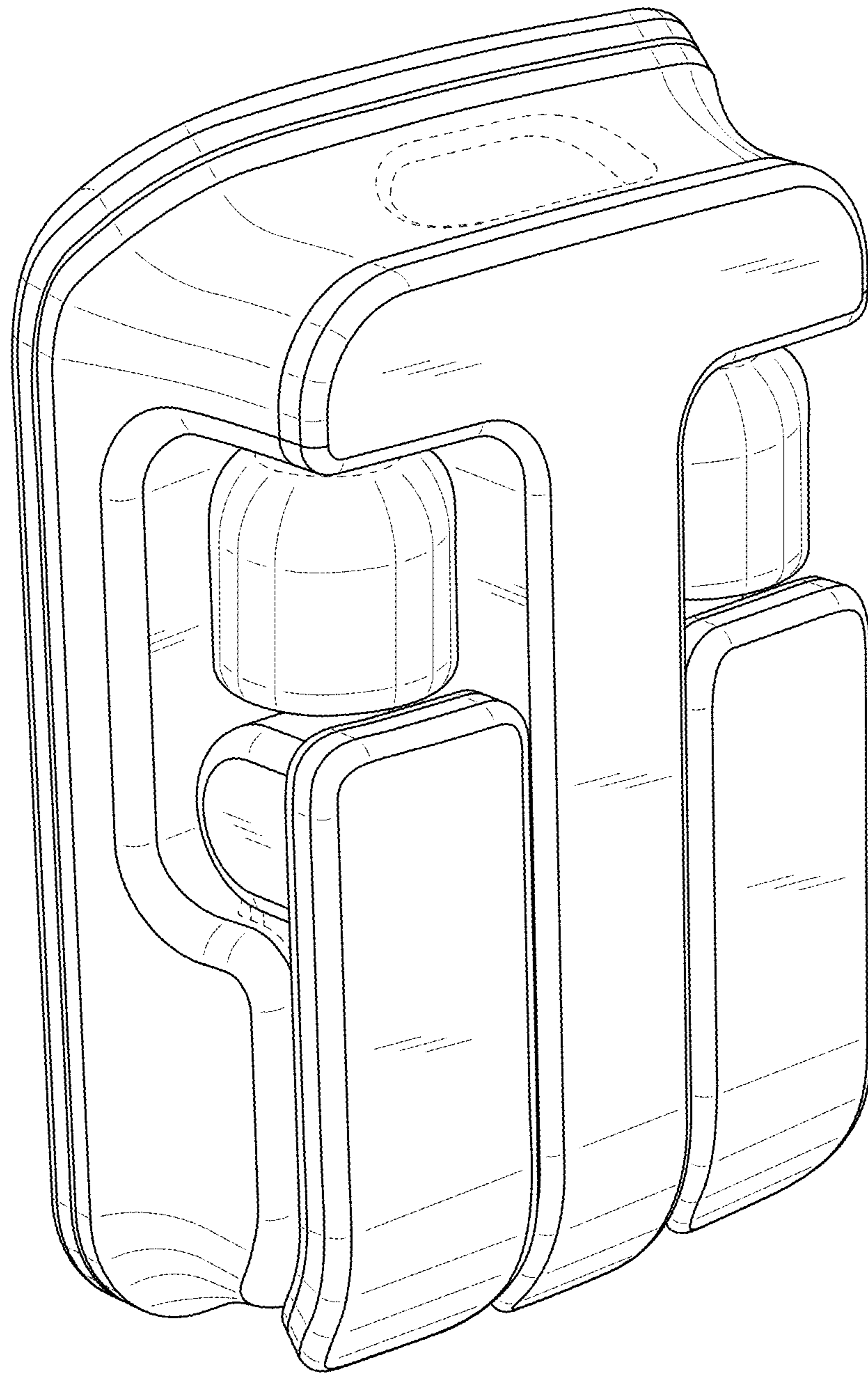




FIG. 9

