



US00D810732S

(12) **United States Design Patent**
Fenton et al.

(10) **Patent No.:** **US D810,732 S**

(45) **Date of Patent:** **** Feb. 20, 2018**

(54) **PORTABLE DEVICE**

(71) Applicant: **Fairhaven Group, Inc.**, Seattle, WA
(US)

(72) Inventors: **Timothy John Fenton**, Mercer Island,
WA (US); **Gary Allen Ashley**, Seattle,
WA (US)

(73) Assignee: **PIONEER SQUARE BRANDS, INC.**,
McLean, VA (US)

(**) Term: **15 Years**

(21) Appl. No.: **29/555,783**

(22) Filed: **Feb. 24, 2016**

(51) **LOC (11) Cl.** **14-02**

(52) **U.S. Cl.**
USPC **D14/341**

(58) **Field of Classification Search**
USPC D14/341-347, 137, 138 R, 138 AA,
D14/138 AB, 138 C, 138 G, 496, 203.1,
D14/203.3, 203.4, 203.7, 129, 130, 147,
D14/218, 247, 248, 250, 385, 388, 389,
D14/315-318, 420, 426, 439; D21/329,
D21/330; D10/50, 65, 104.1
CPC . A63H 33/3016; G06F 1/1613; G06F 1/1647;
G06F 1/1641; G06F 3/04883; G06F
3/0486; G06F 3/04847; G06F 3/04845;
(Continued)

(56) **References Cited**

U.S. PATENT DOCUMENTS

D246,625 S * 12/1977 Becker, III D8/403
D364,103 S * 11/1995 Stievenart D10/50
(Continued)

OTHER PUBLICATIONS

Interesting Way to Protect Your Tablet: iBallz, announced Jul. 25,
2011 [online], [site visited Apr. 26, 2017]. Available from Internet,

URL: <<http://learninginhand.squarespace.com/blog/interesting-way-to-protect-your-tablet-iballz.html>>.*

Primary Examiner — Barbara Fox
Assistant Examiner — Dana K Weiland
(74) *Attorney, Agent, or Firm* — Grandview Law

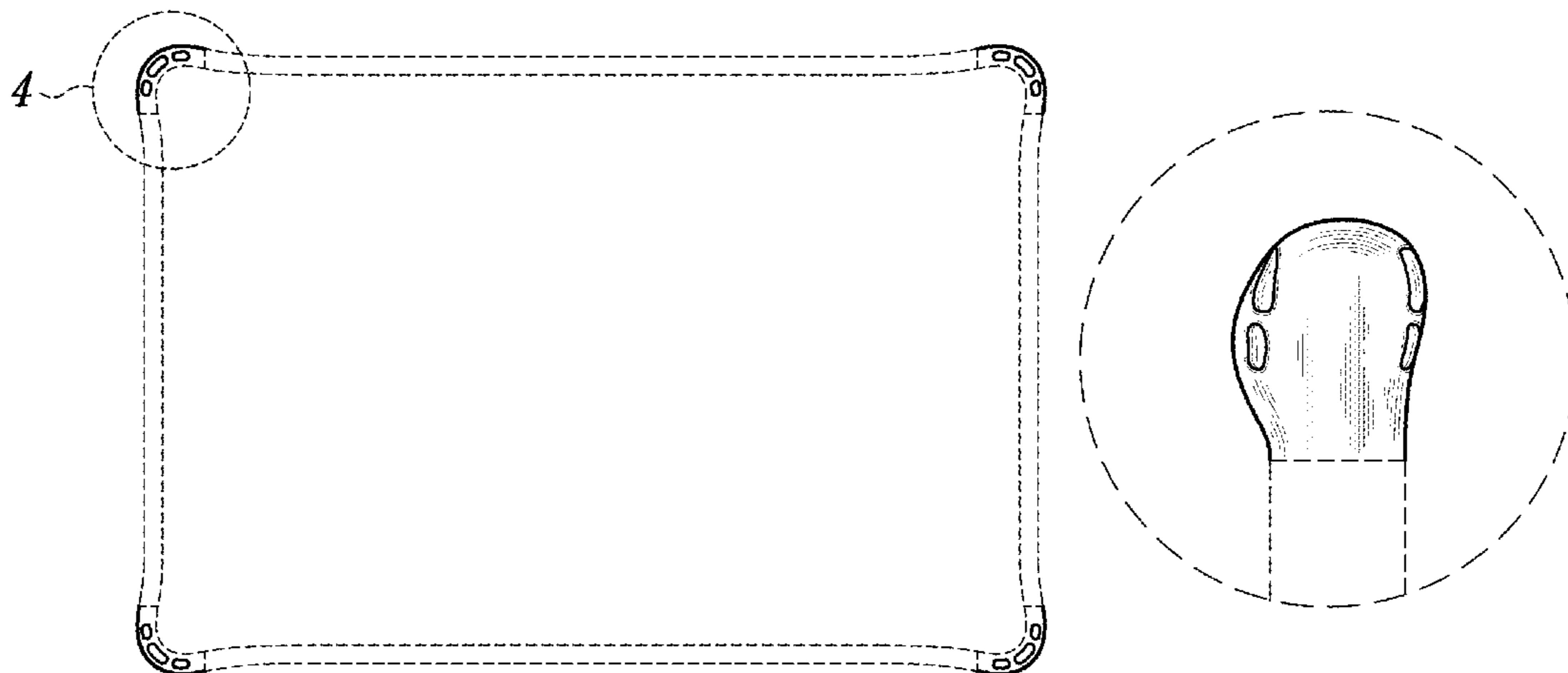
(57) **CLAIM**

The ornamental design for a portable device, as shown and described.

DESCRIPTION

FIG. 1 is a front elevational view of a portable device in a first embodiment showing the new design;
FIG. 2 is a left side view thereof.
FIG. 3 is a bottom view thereof.
FIG. 4 is an enlarged front elevational view of the portion circled in FIG. 1;
FIG. 5 is an enlarged left side view of the portion circled in FIG. 2;
FIG. 6 is an enlarged bottom view of the portion circled in FIG. 3;
FIG. 7 is a rear view of the portable device;
FIG. 8 is a right side view thereof.
FIG. 9 is a top view thereof.
FIG. 10 is a front elevational view of a portable device in a second embodiment showing the new design;
FIG. 11 is a left side view thereof.
FIG. 12 is a bottom view thereof.
FIG. 13 is an enlarged front elevational view of the portion circled in FIG. 10;
FIG. 14 is an enlarged left side view of the portion circled in FIG. 11;
FIG. 15 is an enlarged bottom view of the portion circled in FIG. 12;
FIG. 16 is a rear view of the portable device;
FIG. 17 is a right side view thereof; and,
FIG. 18 is a top view thereof.
The broken lines shown in the drawings illustrate portions of the portable device that form no part of the claimed design.

1 Claim, 6 Drawing Sheets



US D810,732 S

Page 2

(58) **Field of Classification Search**

CPC . G06F 3/0484; H04M 1/0279; H04M 1/0281;
H04M 1/0283

See application file for complete search history.

(56) **References Cited**

U.S. PATENT DOCUMENTS

D431,772 S * 10/2000 Tsui D8/403
D442,182 S * 5/2001 Oross D14/439
D492,306 S * 6/2004 Martin D14/346
D531,177 S * 10/2006 Okanoya D14/346
D574,382 S * 8/2008 Tsukahara D14/315
D623,651 S * 9/2010 Hsu D14/218
D627,780 S * 11/2010 Kuroda D14/346
D640,543 S * 6/2011 Kindig D8/403
D649,964 S * 12/2011 Chikuma D14/315
8,403,136 B1 * 3/2013 Tsai H05K 5/061
206/320
D684,150 S * 6/2013 Goradesky D14/250

8,469,189 B2 * 6/2013 Liang G06F 1/1656
206/320
D685,361 S * 7/2013 Goradesky D14/250
D693,819 S * 11/2013 Cocquyt D14/439
D702,696 S * 4/2014 Edwards D14/439
D706,754 S * 6/2014 Goradesky D14/250
8,774,882 B2 * 7/2014 Tages H04M 1/0283
455/575.8
D714,241 S * 9/2014 Kanayama D14/138 G
D719,565 S * 12/2014 Hirayama D14/341
D748,008 S * 1/2016 Akana D11/94
D750,610 S * 3/2016 Chen D14/250
D757,017 S * 5/2016 Sirichai D14/440
D763,725 S * 8/2016 Akana D11/94
D769,852 S * 10/2016 Godycki D14/250
D778,272 S * 2/2017 Kim D14/250
D793,383 S * 8/2017 Cai D14/341
D798,286 S * 9/2017 Roberts D14/250
2002/0085342 A1 * 7/2002 Chen G06F 1/1616
361/679.55
2017/0013731 A1 * 1/2017 Lee H04B 1/3888

* cited by examiner

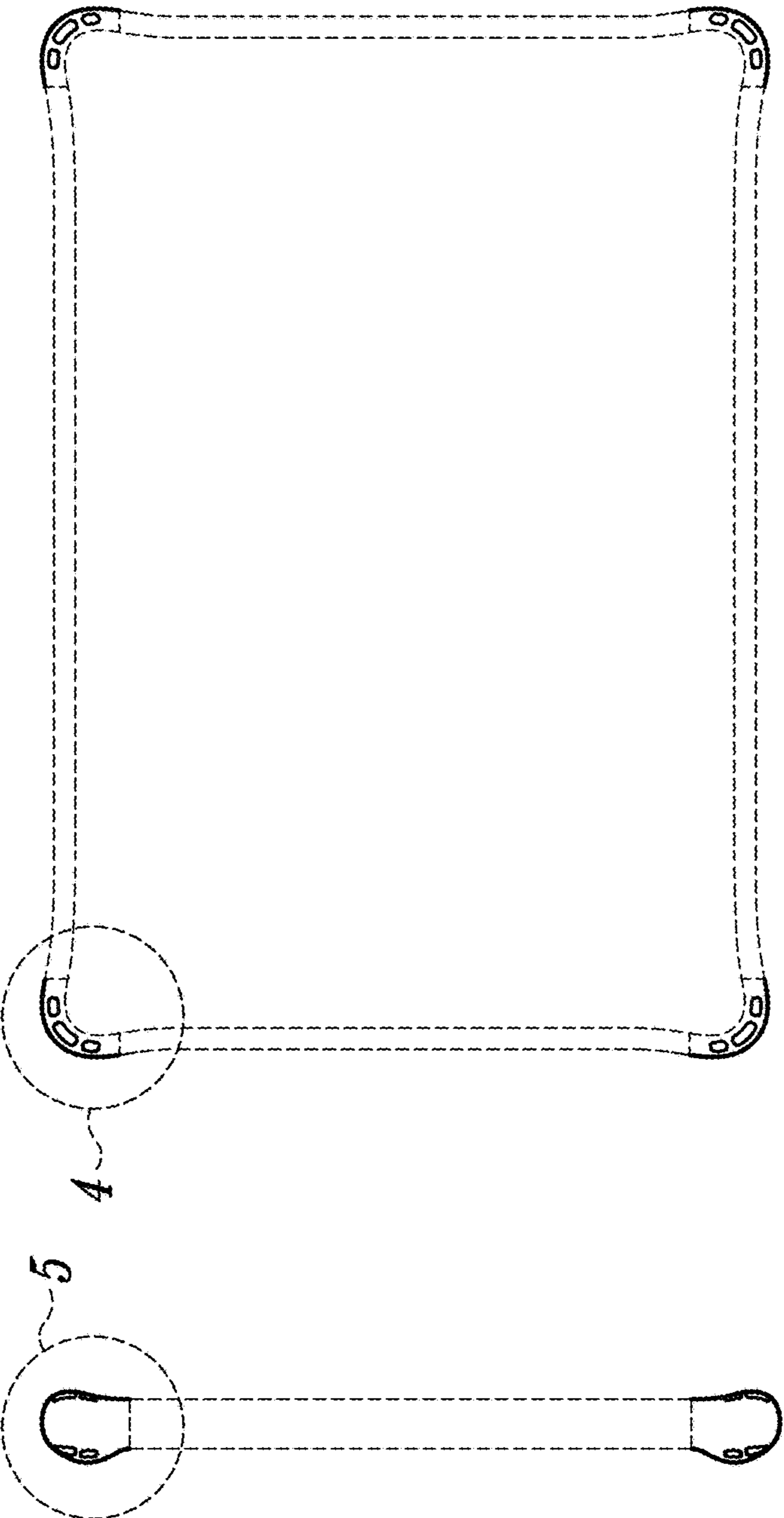
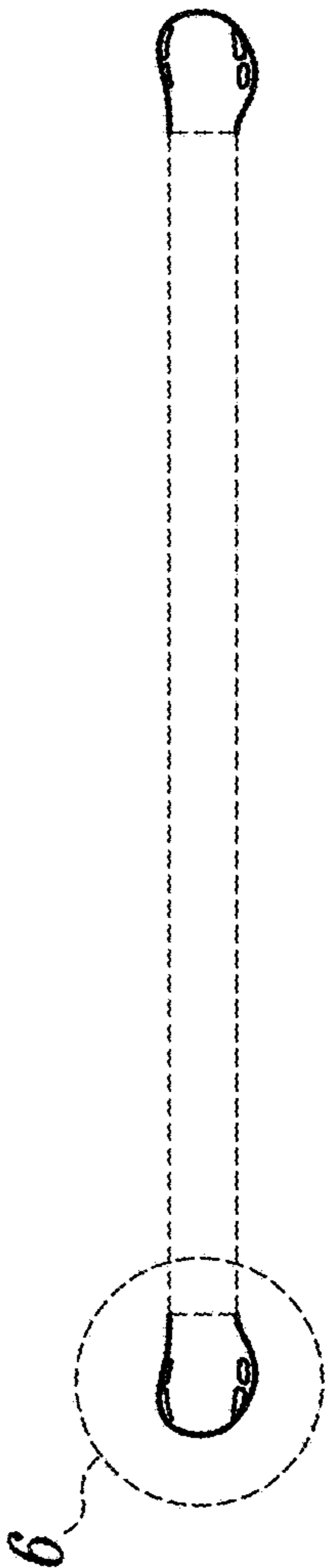


Fig. 2



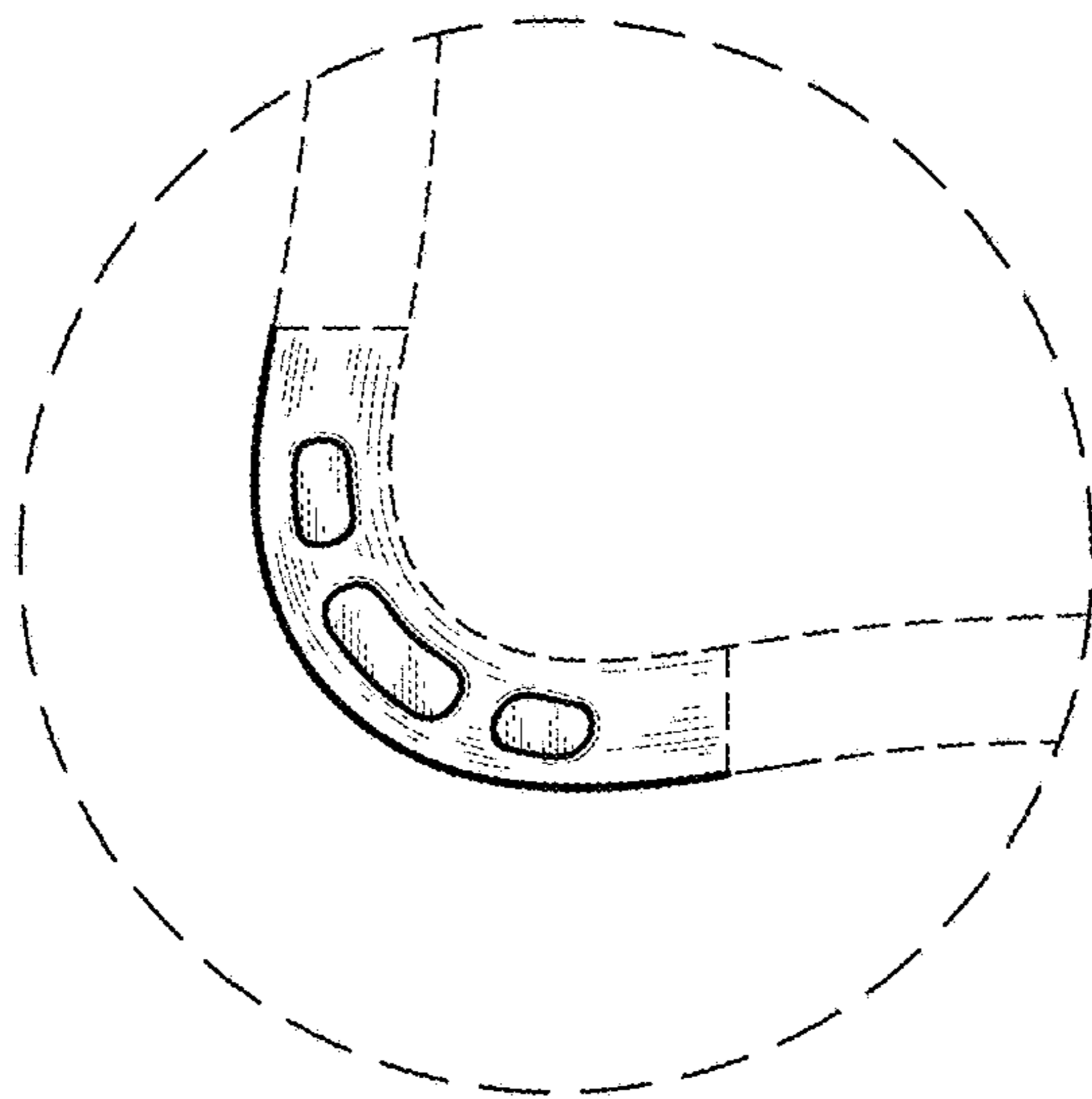


Fig. 4

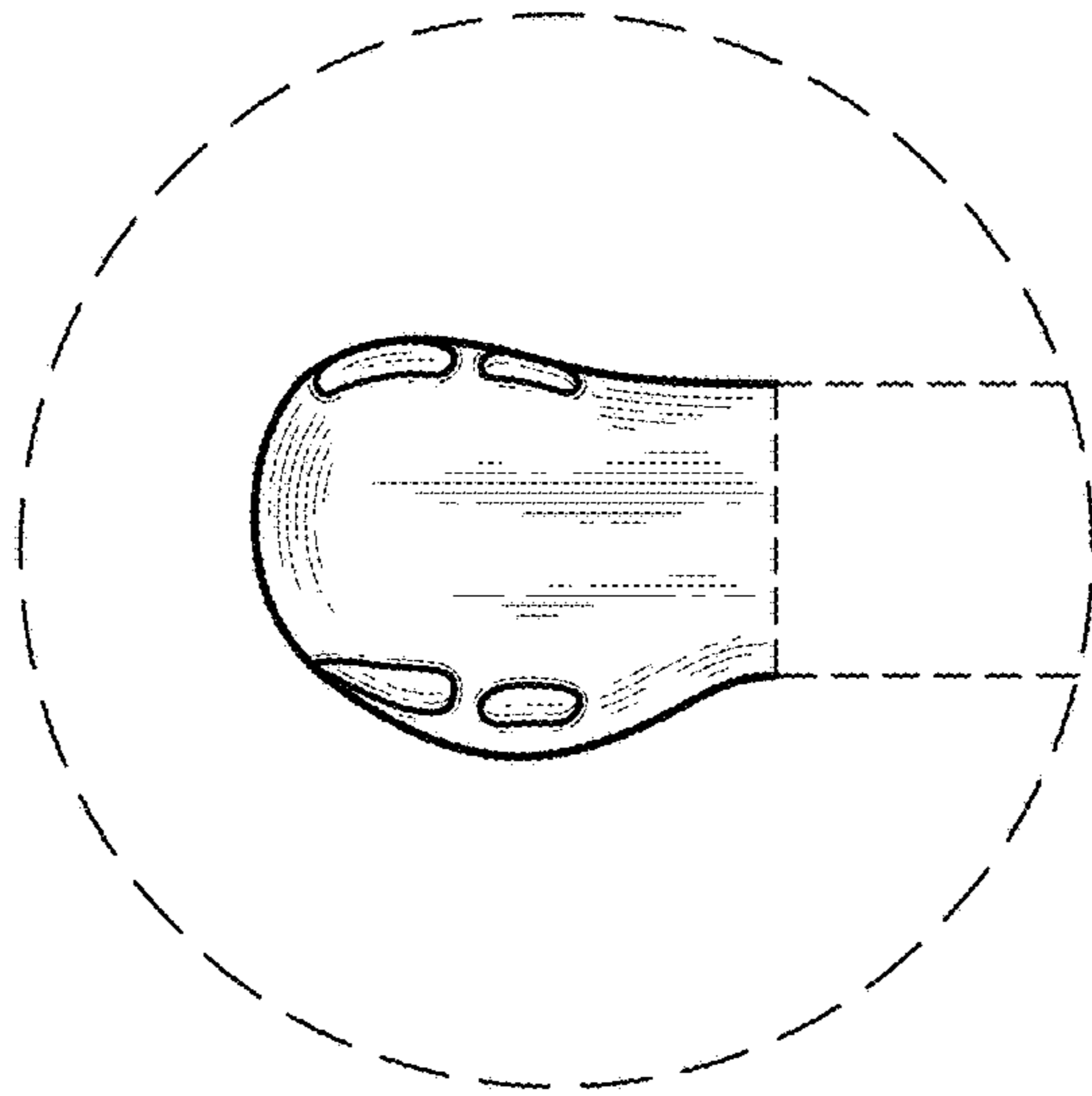


Fig. 5

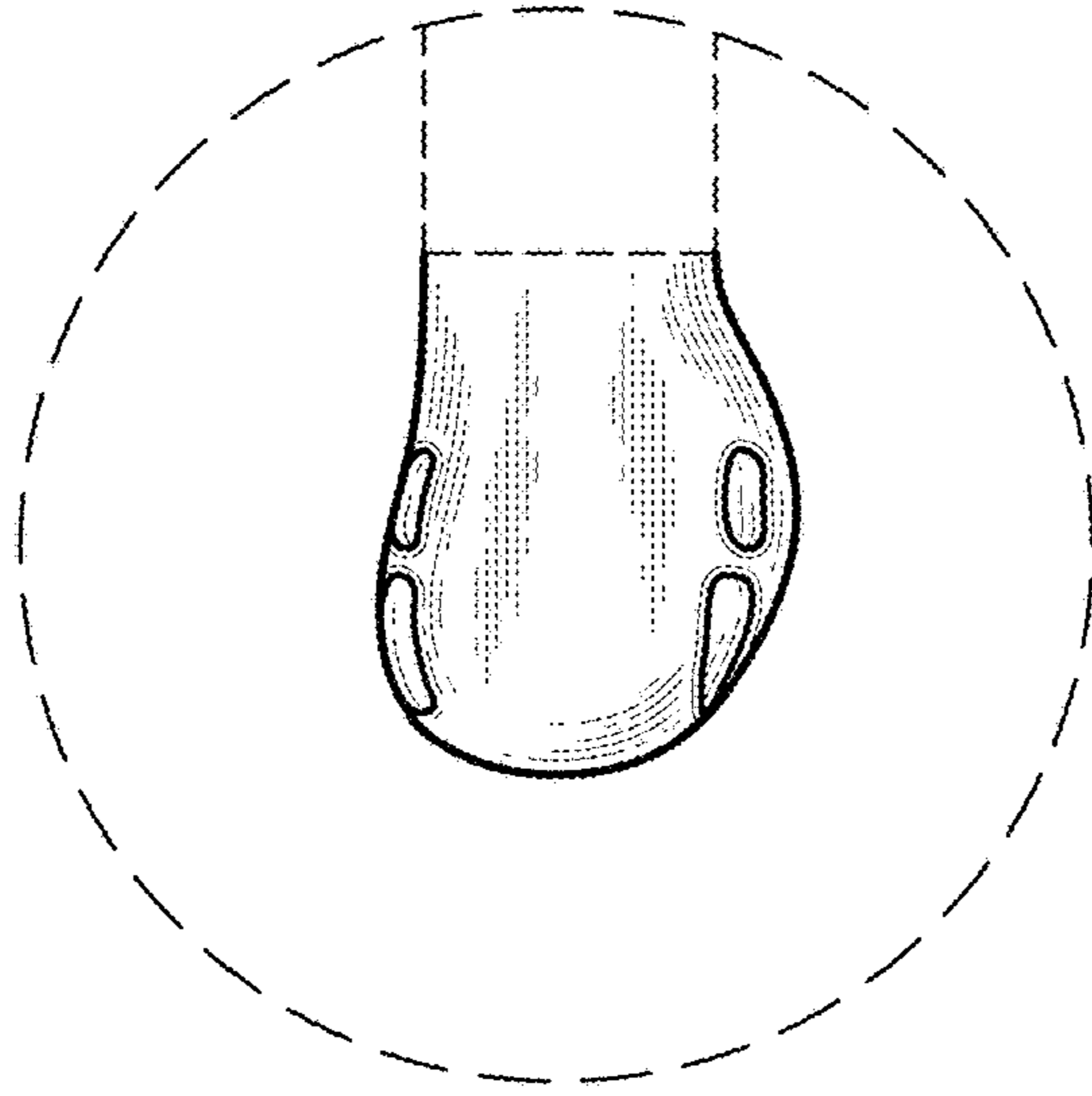


Fig. 6

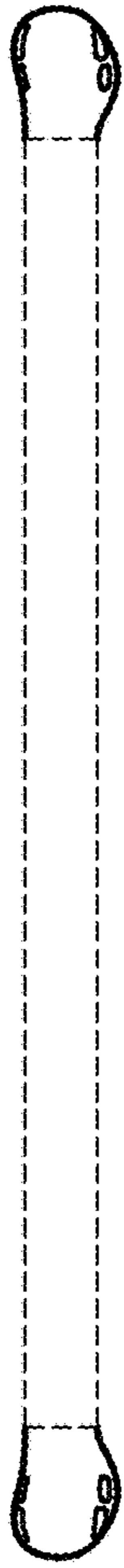


Fig. 9

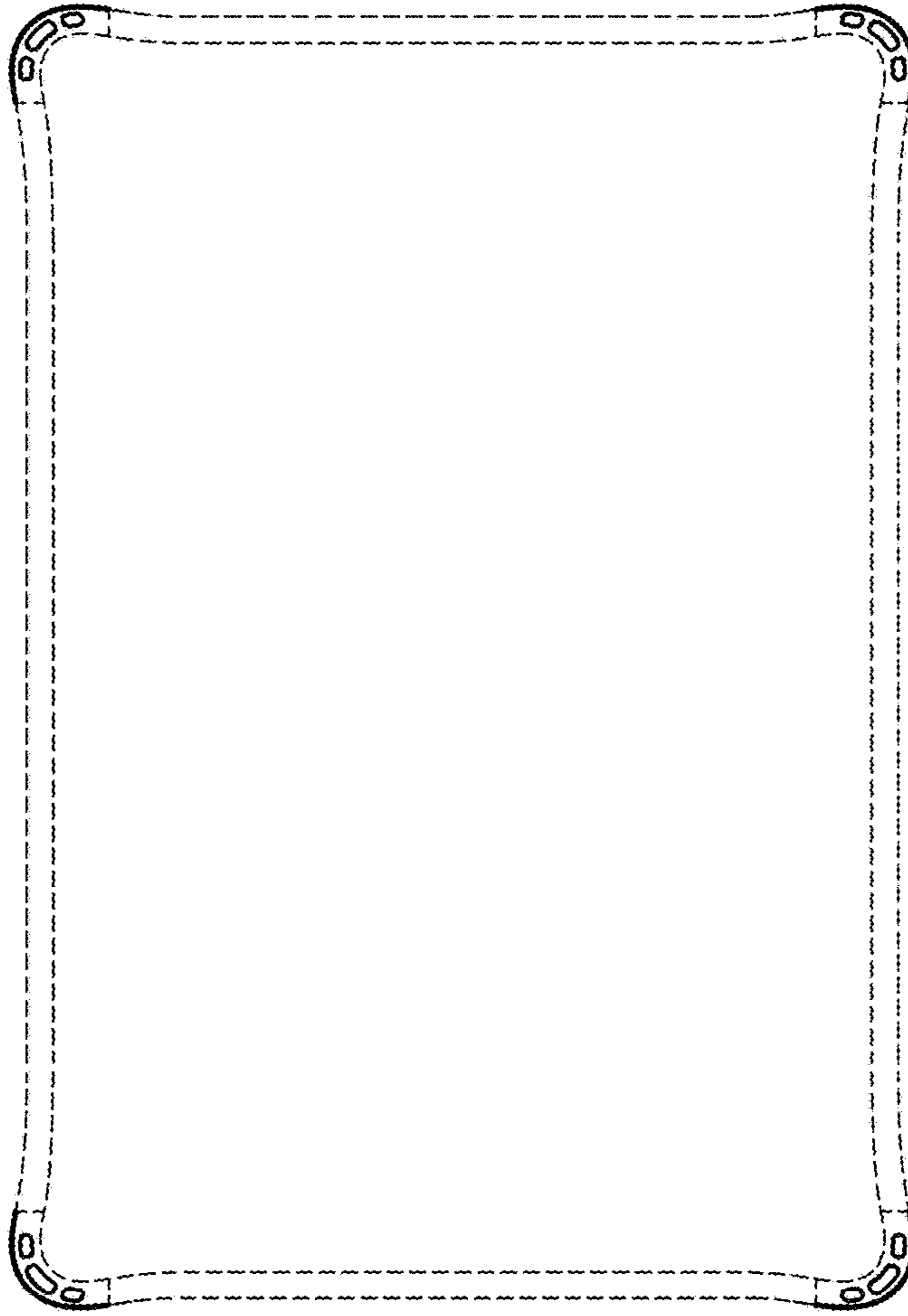


Fig. 7

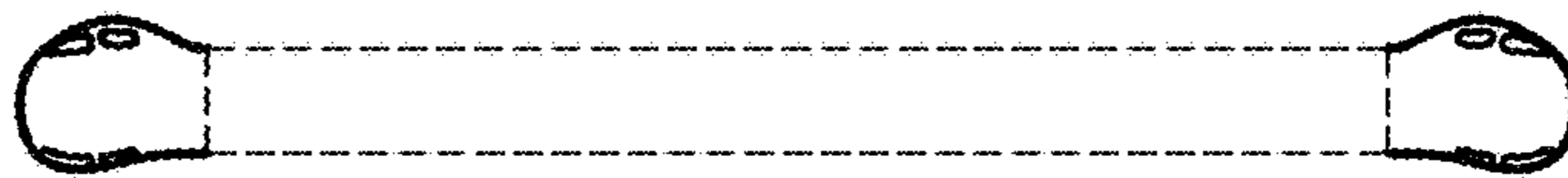


Fig. 8

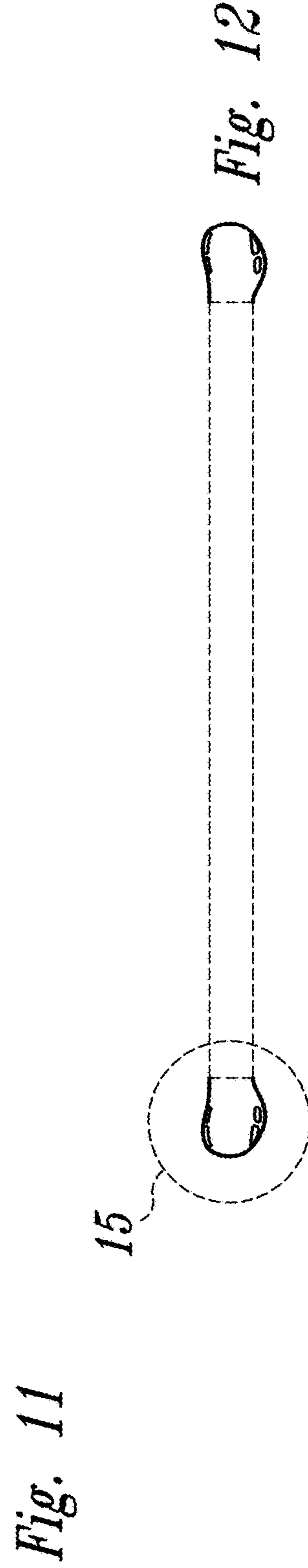
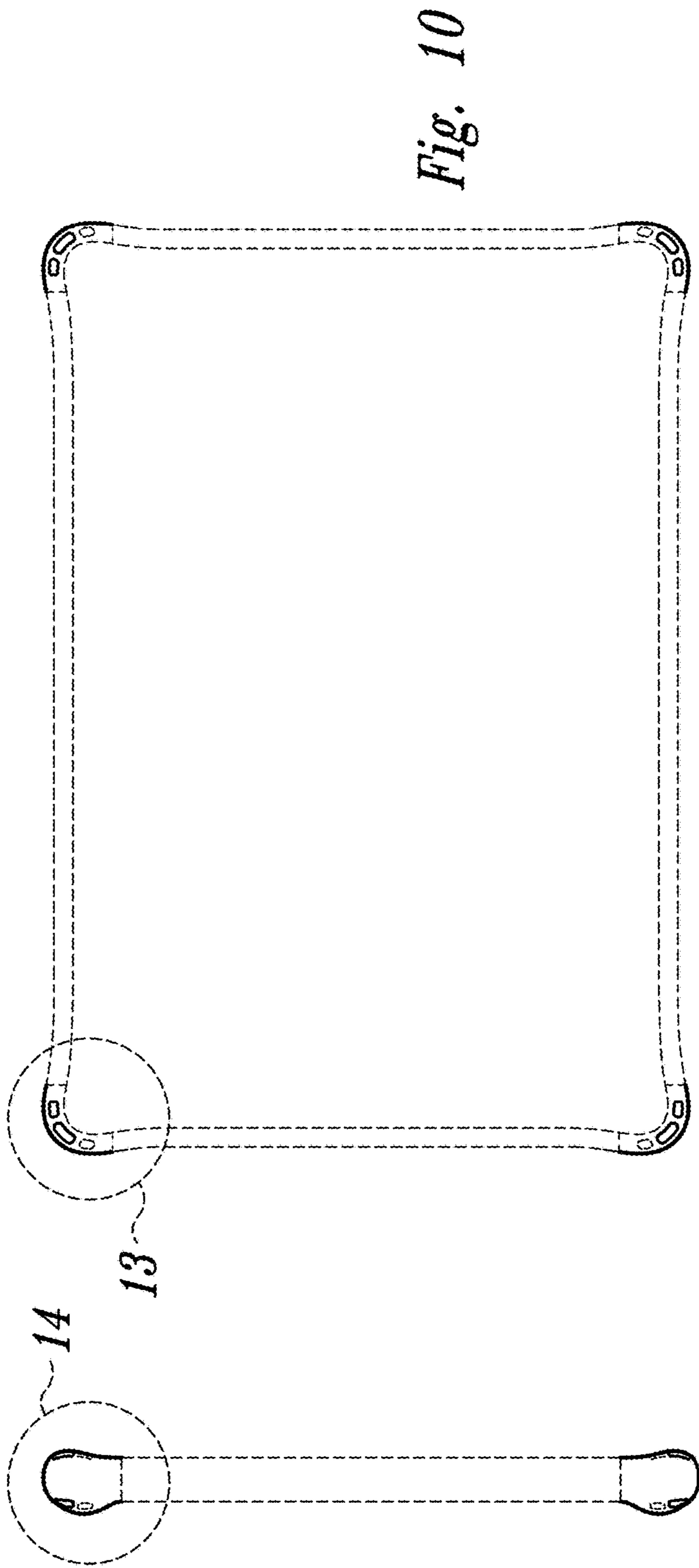


Fig. 12

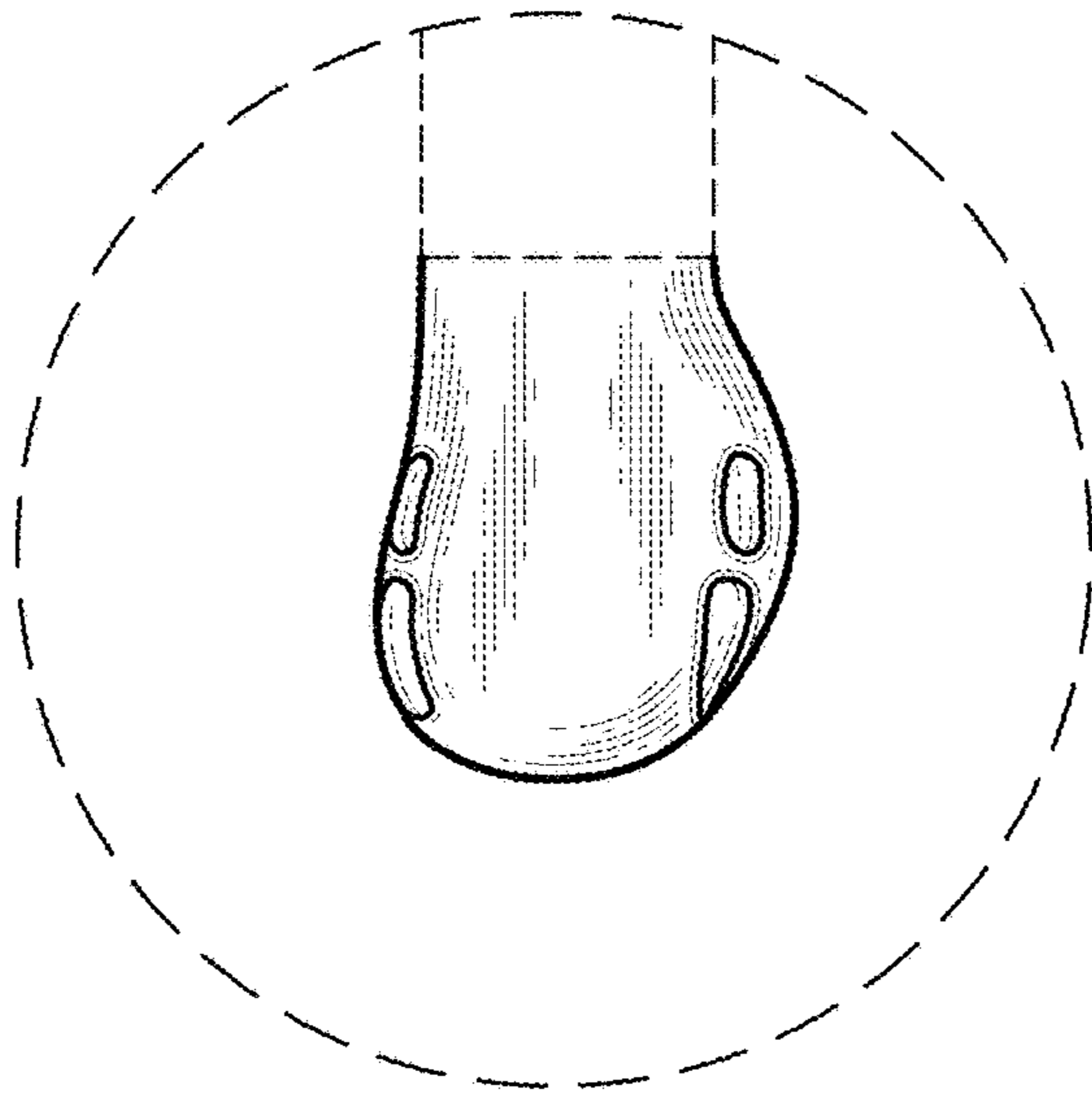


Fig. 13

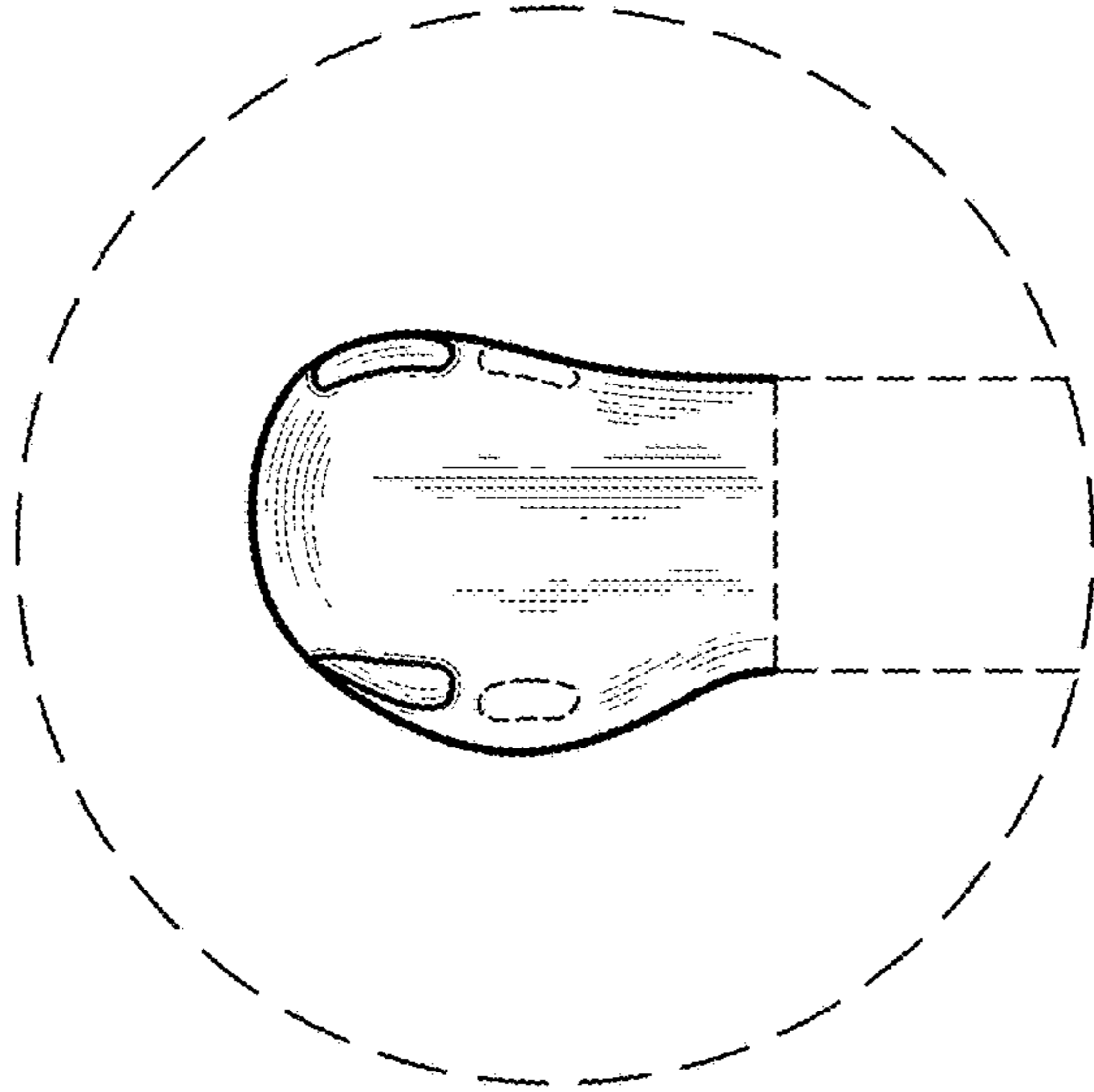


Fig. 14

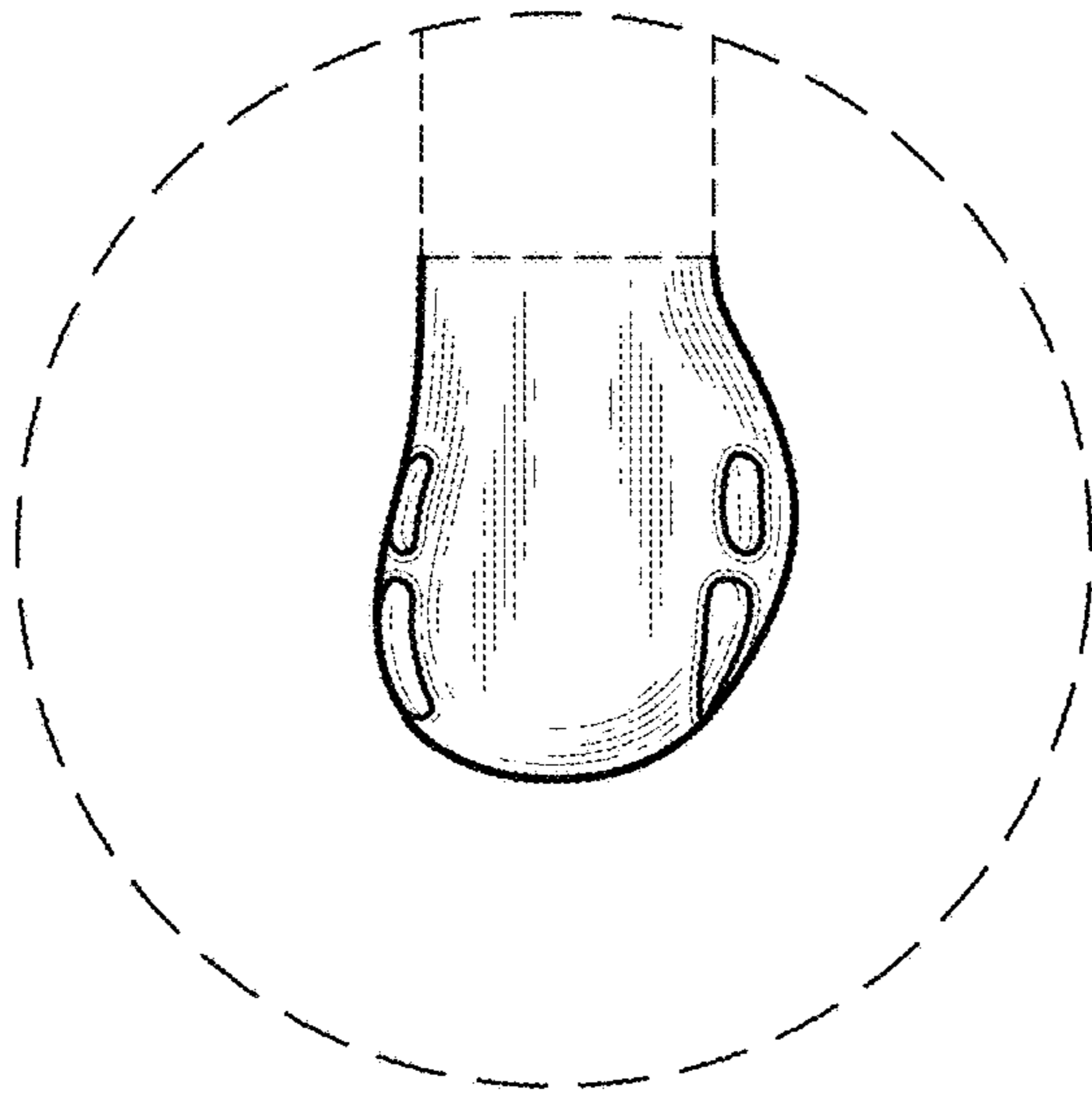


Fig. 15

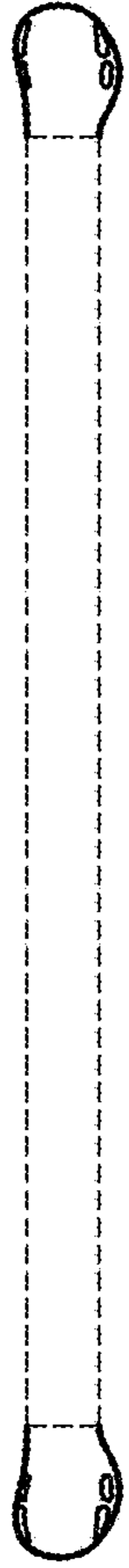


Fig. 18

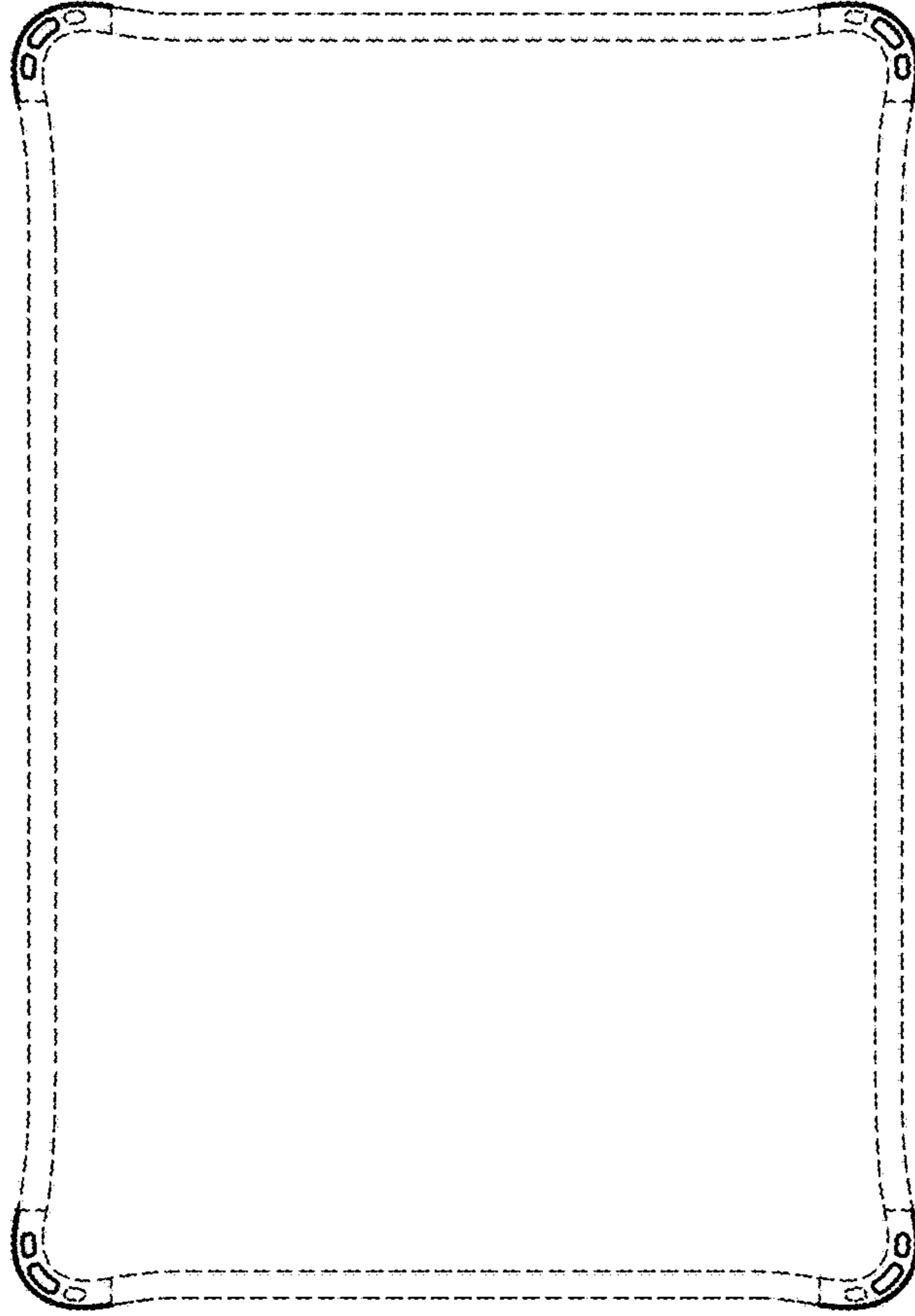


Fig. 16

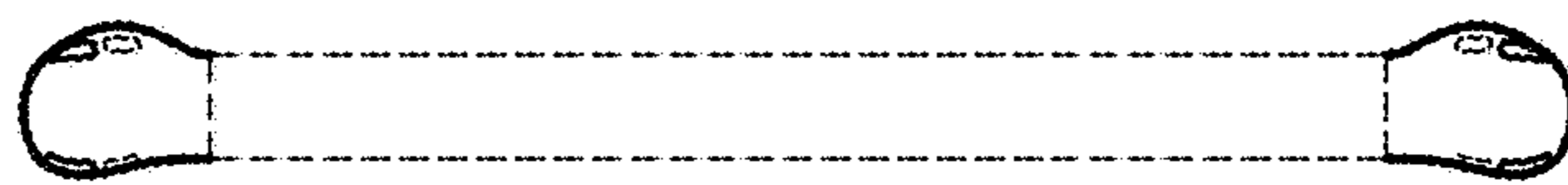


Fig. 17