



US00D810731S

(12) **United States Design Patent** (10) **Patent No.:** **US D810,731 S**
Henderson et al. (45) **Date of Patent:** **** Feb. 20, 2018**

(54) **ELECTRONIC DEVICE**

(71) Applicant: **QuirkLogic, Inc.**, Calgary (CA)

(72) Inventors: **James Patrick Henderson**, Ottawa (CA); **Kevin John Bailey**, Ottawa (CA); **Matthew Thomas Robert Bailey**, Ottawa (CA)

(73) Assignee: **QuirkLogic, Inc.**, Calgary (CA)

(**) Term: **15 Years**

(21) Appl. No.: **29/550,123**

(22) Filed: **Dec. 30, 2015**

(51) **LOC (11) Cl.** **14-02**

(52) **U.S. Cl.**
USPC **D14/341**

(58) **Field of Classification Search**
USPC D14/341-347, 137, 138 R, 138 AA, D14/138 C, 138 G, 496, 203.1, 203.2, D14/203.4, 203.7, 129, 130, 147, 218, D14/248, 389, 388, 426, 420, 440, 432; D10/50, 60, 65, 104.1; D21/324, 329,
(Continued)

(56) **References Cited**

U.S. PATENT DOCUMENTS

D680,530 S * 4/2013 Groene D14/341
D705,777 S * 5/2014 Groene D14/341
(Continued)

OTHER PUBLICATIONS

ThinkPad X1, announce Jun. 8, 2016 [online], [site visited Jul. 6, 2017], Available from Internet: <<https://www.thurrott.com/hardware/67819/thinkpad-c1-tablet-first-impressions>>.*

Primary Examiner — Barbara Fox
Assistant Examiner — Mary C Ramirez

(74) *Attorney, Agent, or Firm* — Chamberlain, Hrdlicka, White, Williams & Aughtry

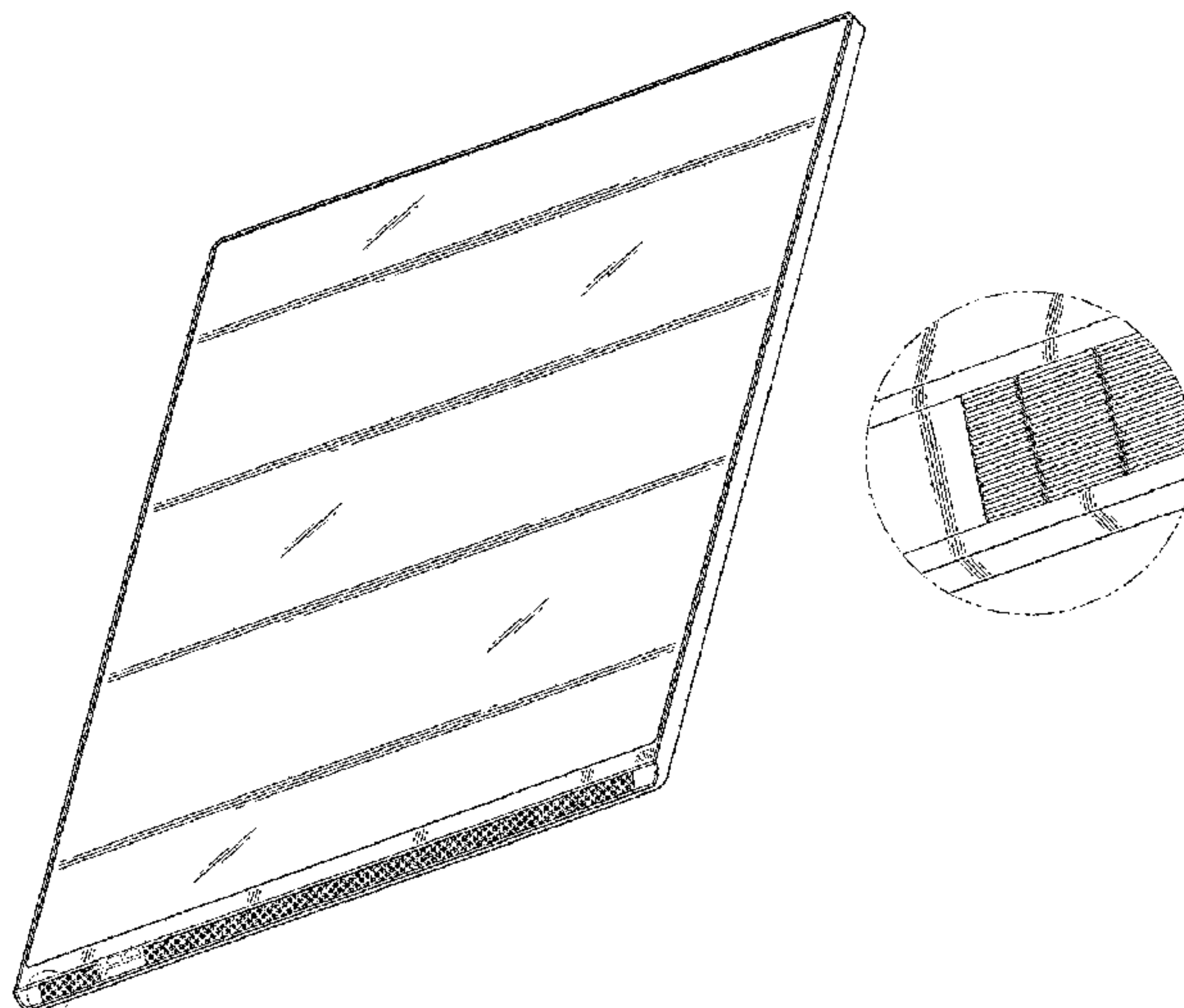
(57) **CLAIM**

The ornamental design for an electronic device, as shown and described.

DESCRIPTION

FIG. 1 is a front, right perspective view of an electronic device showing a first embodiment of our new design; FIG. 2 is the front view thereof; FIG. 3 is the rear view thereof; FIG. 4 is the top view thereof; FIG. 5 is the bottom view thereof; FIG. 6 is the side view thereof, the right side view being the mirror image thereof; FIG. 7 is a front, right perspective view of an electronic device showing a second embodiment of our new design; FIG. 8 is the front view thereof; FIG. 9 is the rear view thereof; FIG. 10 is the top view thereof; FIG. 11 is the bottom view thereof; FIG. 12 is the left side view thereof, the right side view being the mirror image thereof; FIG. 13 is a front, right perspective view of an electronic device showing a third embodiment of our new design; FIG. 14 is an enlarged view of the portion of the electronic device taken from FIG. 13; FIG. 15 is the front view of the design shown in FIG. 13; FIG. 16 is the rear view thereof; FIG. 17 is the top view thereof; FIG. 18 is the bottom view thereof; and, FIG. 19 is the left side view thereof, the right side view being the mirror image thereof.
In the accompanying drawings, the evenly-spaced broken lines in the figures depict portions of the electronic device that form no part of the claimed design. The dot-dot-dash broken lines encircling portions of the claimed design that are illustrated in the enlargement form no part of the claimed design.

1 Claim, 9 Drawing Sheets



(58) **Field of Classification Search**

USPC D21/330, 386; D34/29; D11/12, 13;
D13/103; D18/6; D6/524
CPC F16M 11/20; F16M 13/00; A63H 33/3016;
G06F 1/1613; G06F 1647/1641; G06F
3/04883; G06F 3/0486; H04M 1/0279;
H04M 1/0281; H04M 1/0283

See application file for complete search history.

(56) **References Cited**

U.S. PATENT DOCUMENTS

D706,773 S * 6/2014 Lu D14/341
D713,403 S * 9/2014 Groene D14/341
D729,233 S * 5/2015 Lee D14/341
D734,326 S * 7/2015 McManigal D14/341
D742,344 S * 11/2015 Kim D14/126
D751,063 S * 3/2016 Lin D14/341
D753,105 S * 4/2016 Chang D14/203.7
D757,715 S * 5/2016 Choi D14/341
D761,226 S * 7/2016 Poulin D14/138 G
D774,031 S * 12/2016 Otani D14/341
D776,654 S * 1/2017 Yokota D14/341
D778,253 S * 2/2017 Kwak D14/138 AB
D781,292 S * 3/2017 Bae D14/374
D781,848 S * 3/2017 Kim D14/341
D782,470 S * 3/2017 Raken D14/341
D783,600 S * 4/2017 Green D14/341
D786,214 S * 5/2017 Kwon D14/138 G
D786,238 S * 5/2017 Roberts D14/341
D788,767 S * 6/2017 Magi D14/315
D789,356 S * 6/2017 Cebe D14/315
2013/0076644 A1 * 3/2013 Escobedo G06F 3/0488
345/173

* cited by examiner

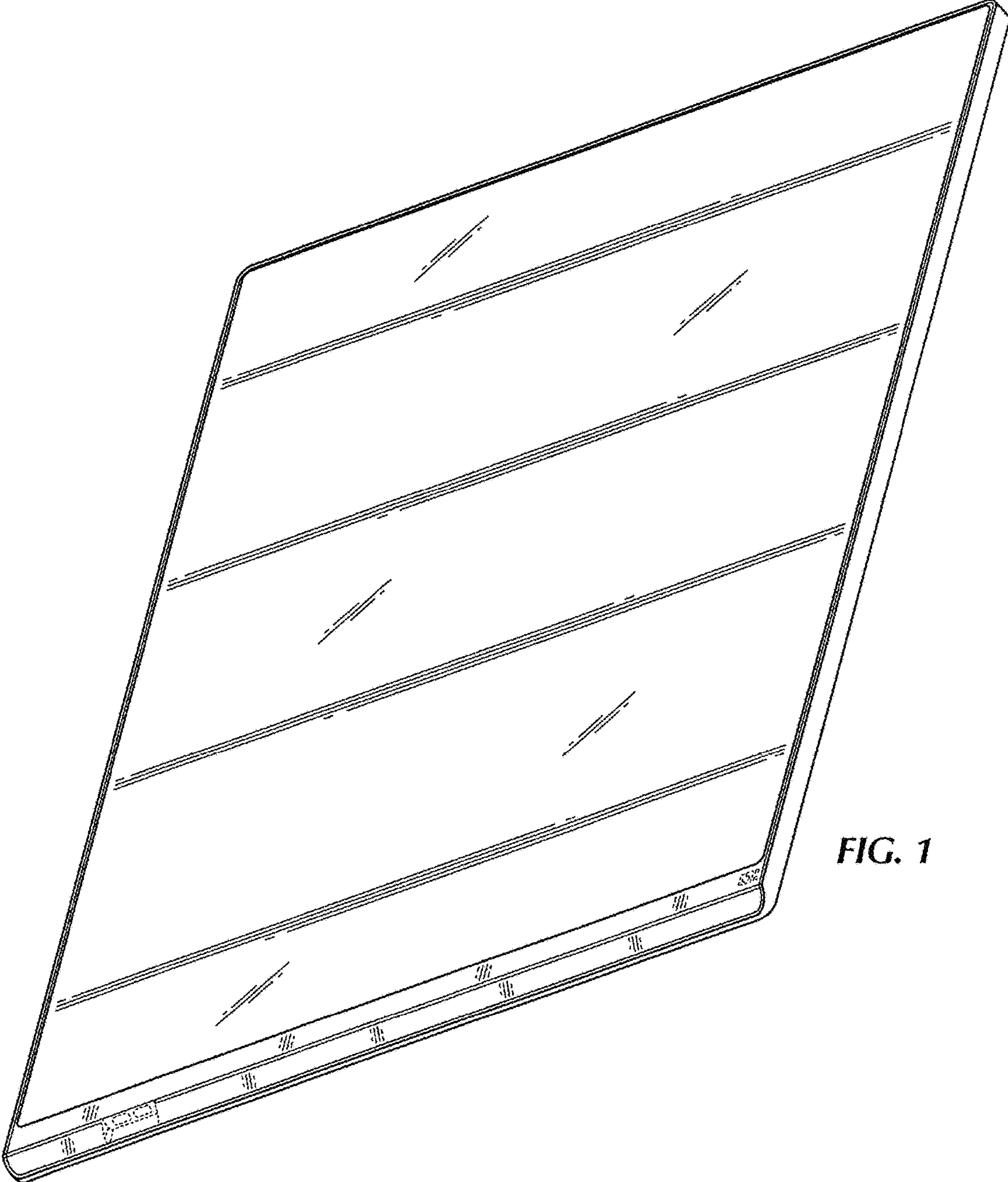


FIG. 1

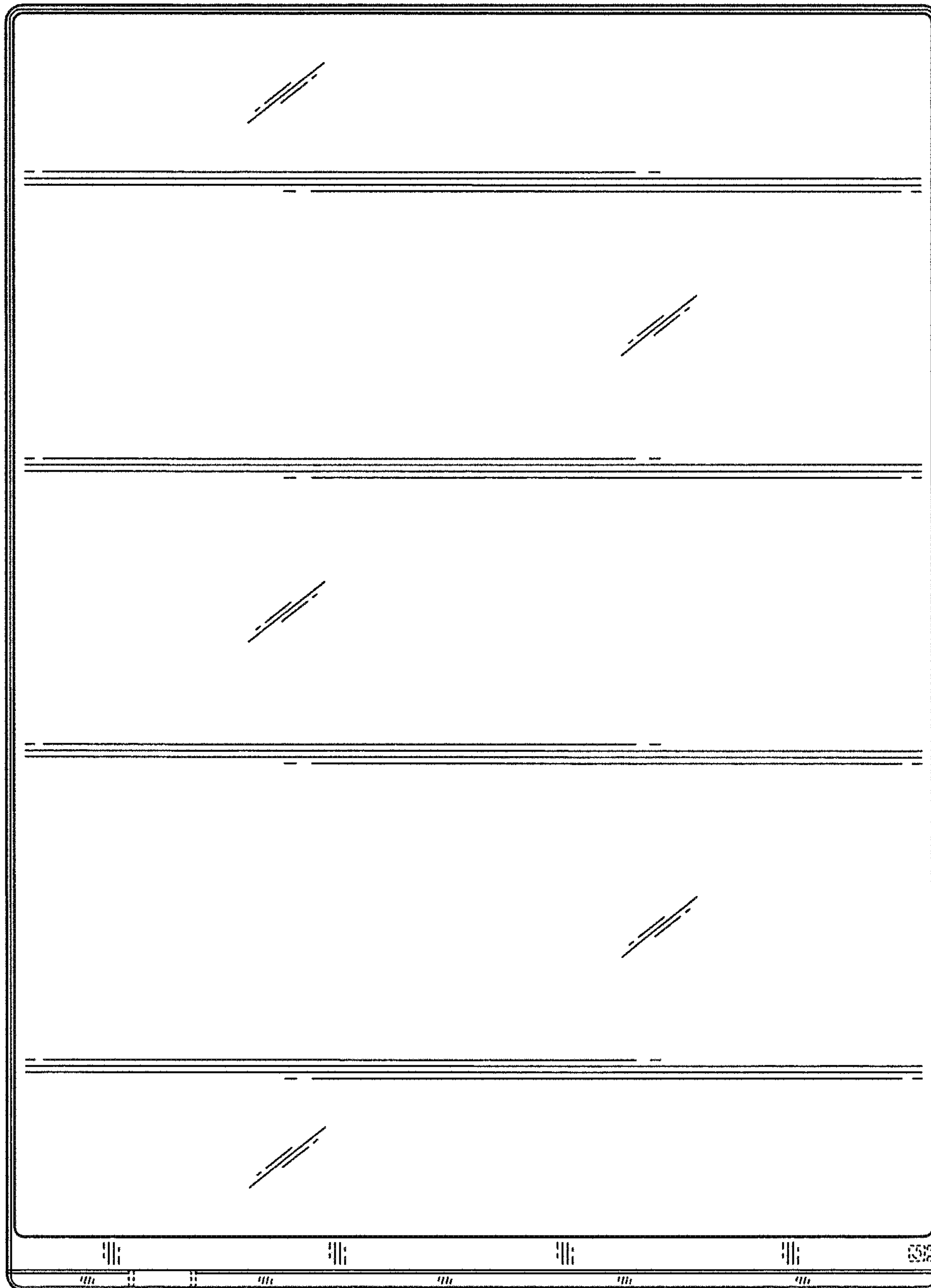


FIG. 2

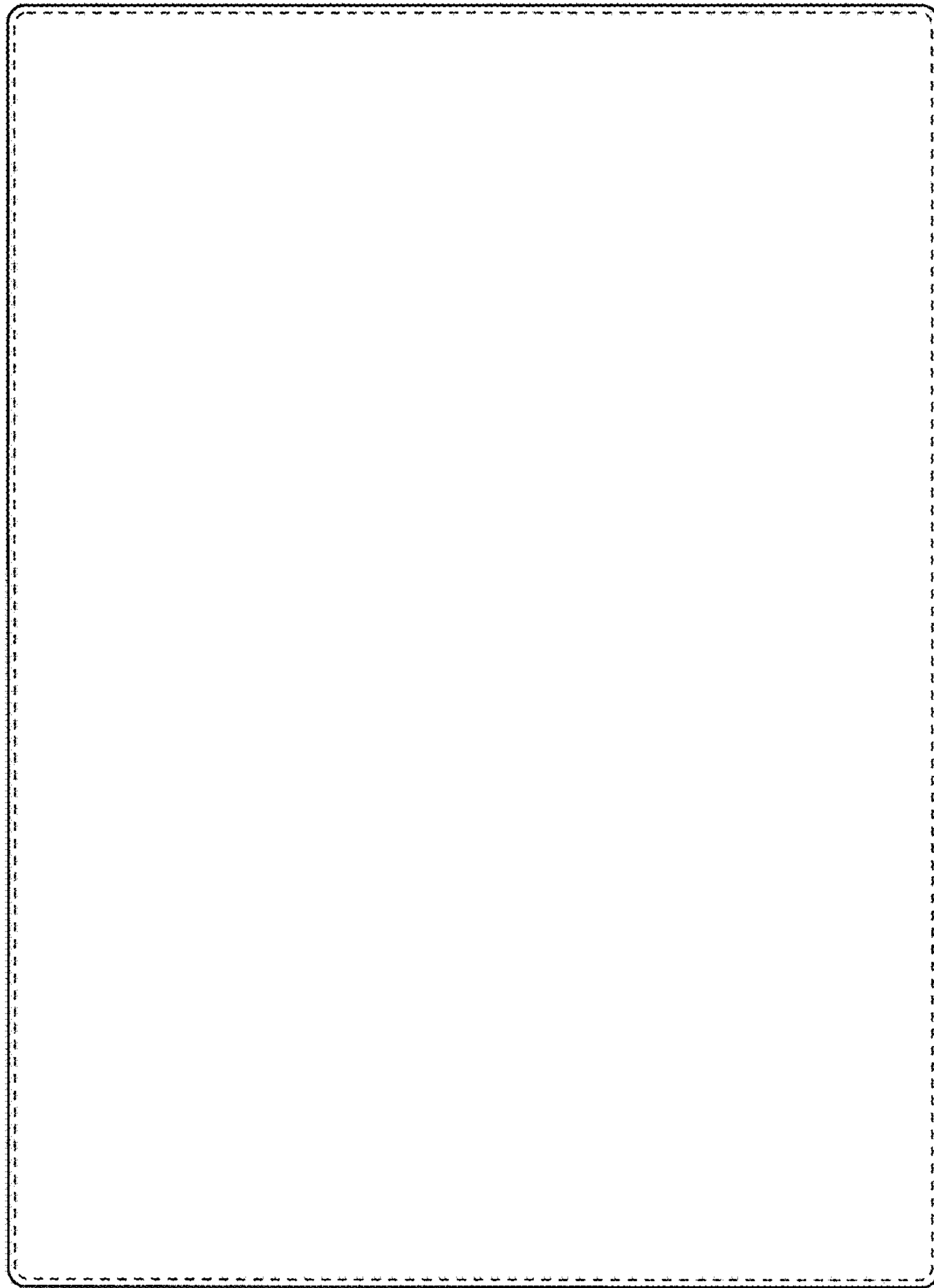


FIG. 3



FIG. 6



FIG. 4

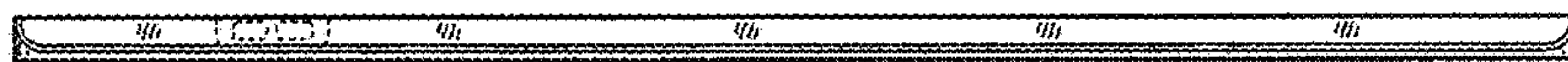


FIG. 5

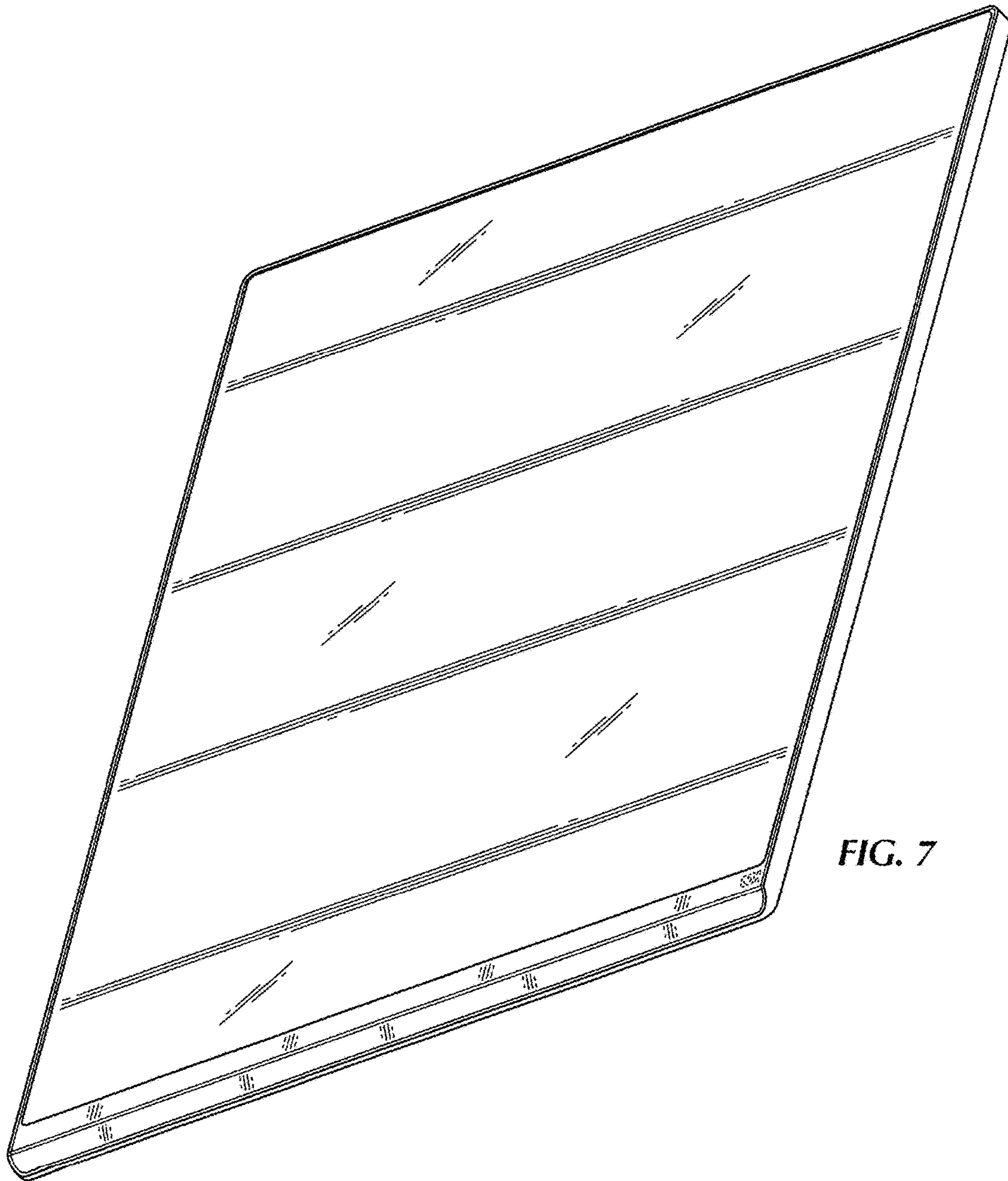


FIG. 7

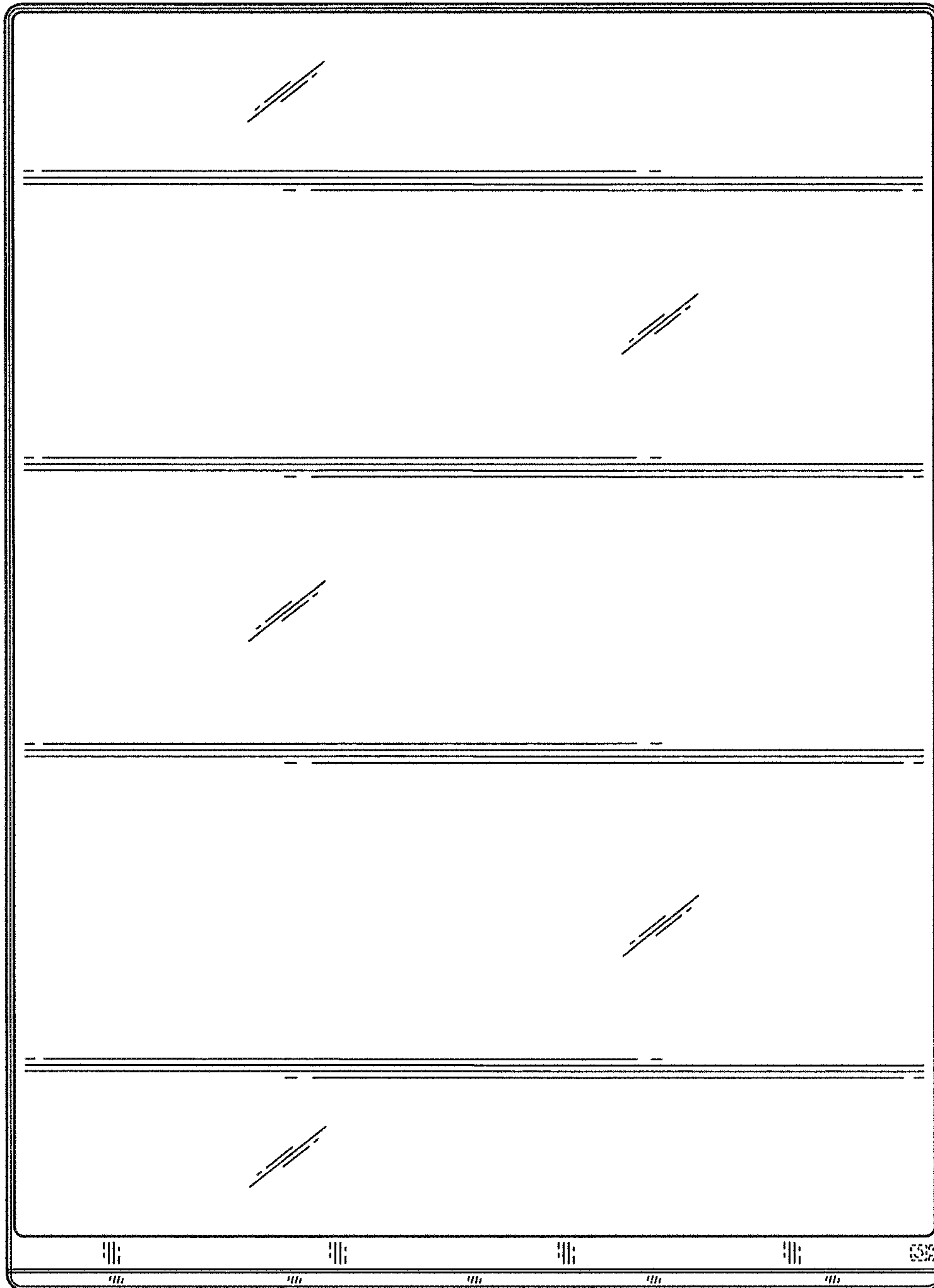


FIG. 8

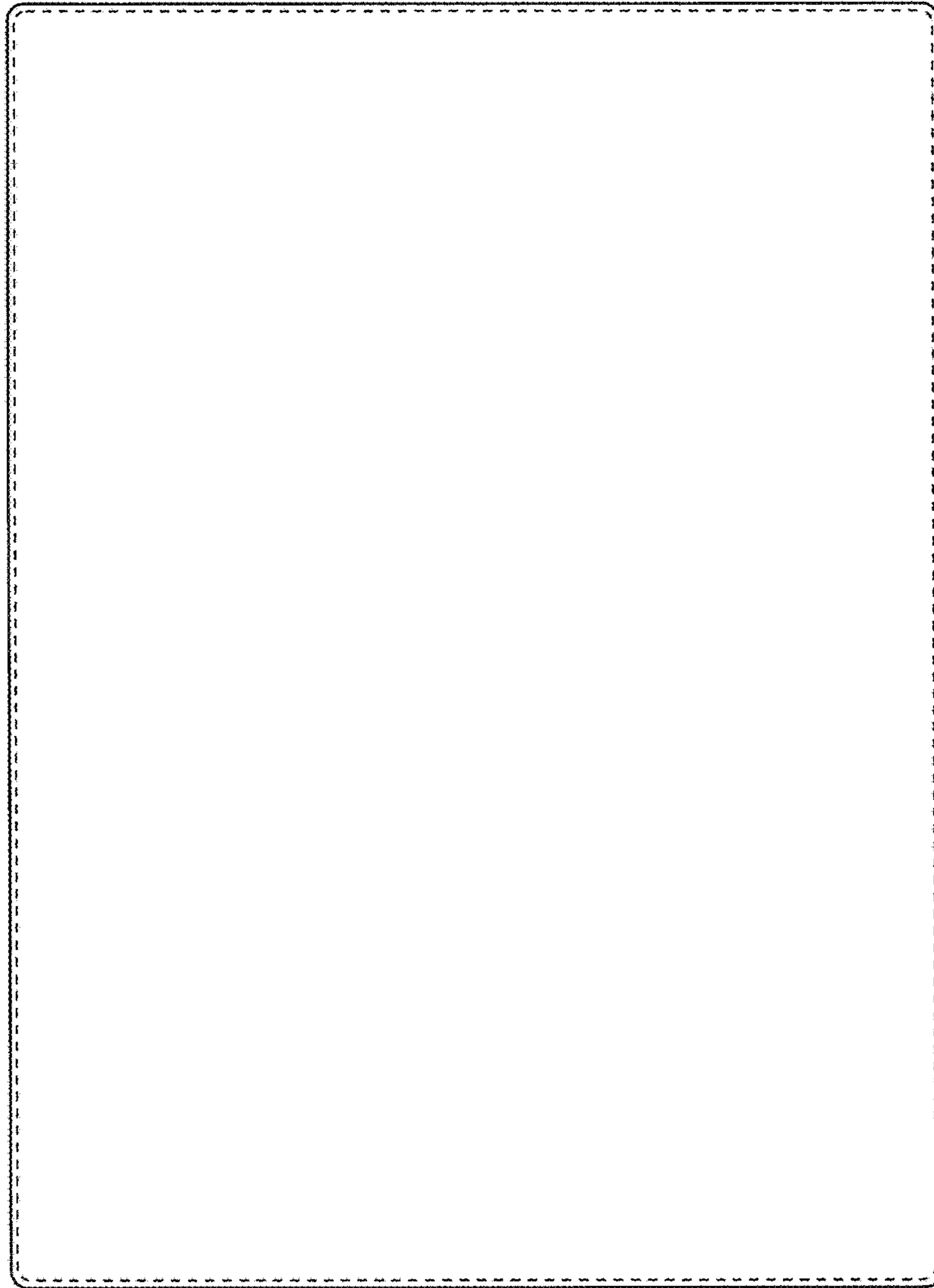


FIG. 9



FIG. 12



FIG. 10

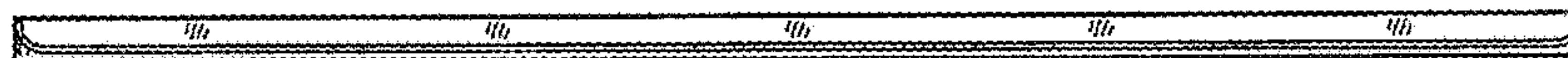


FIG. 11

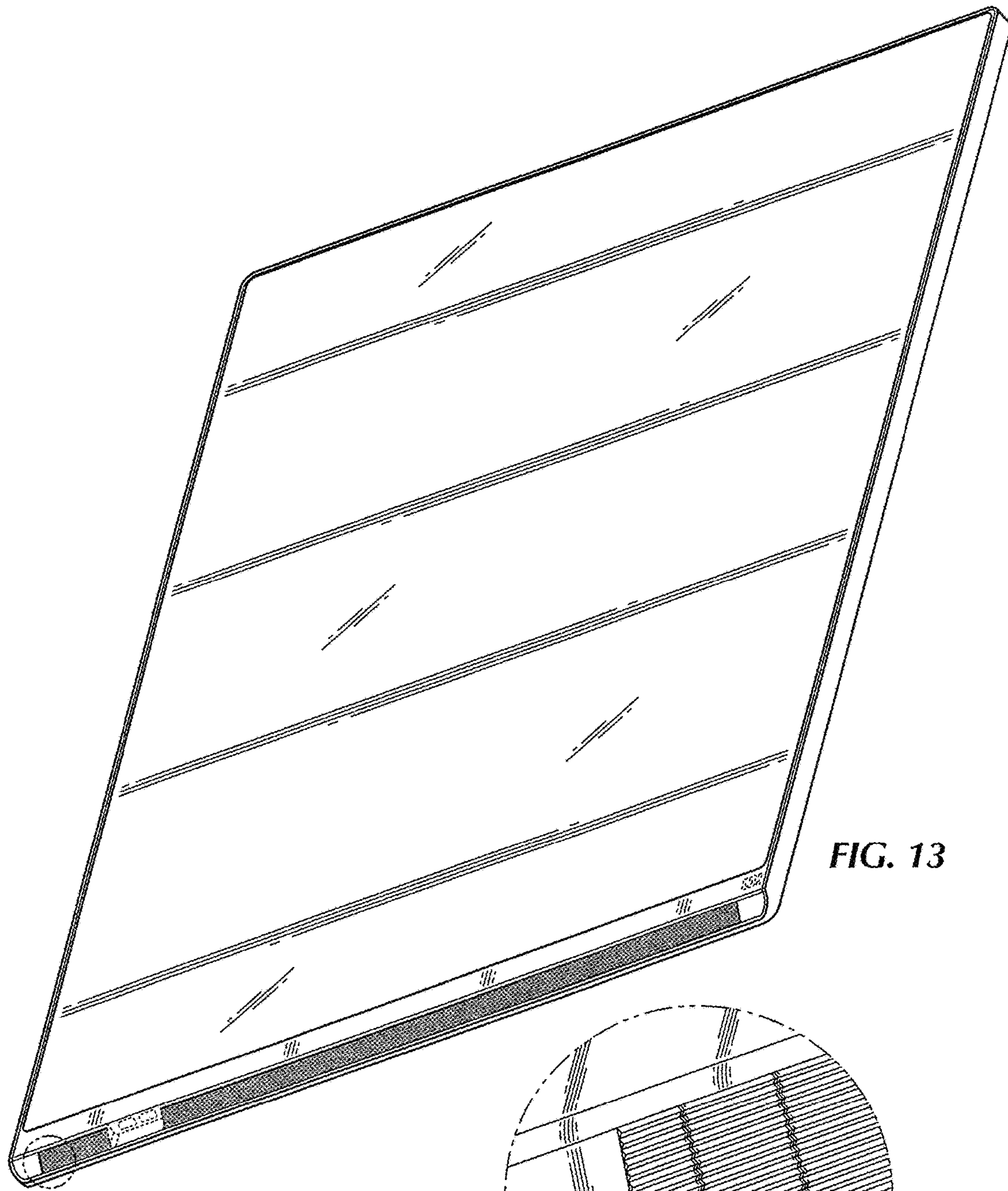


FIG. 13

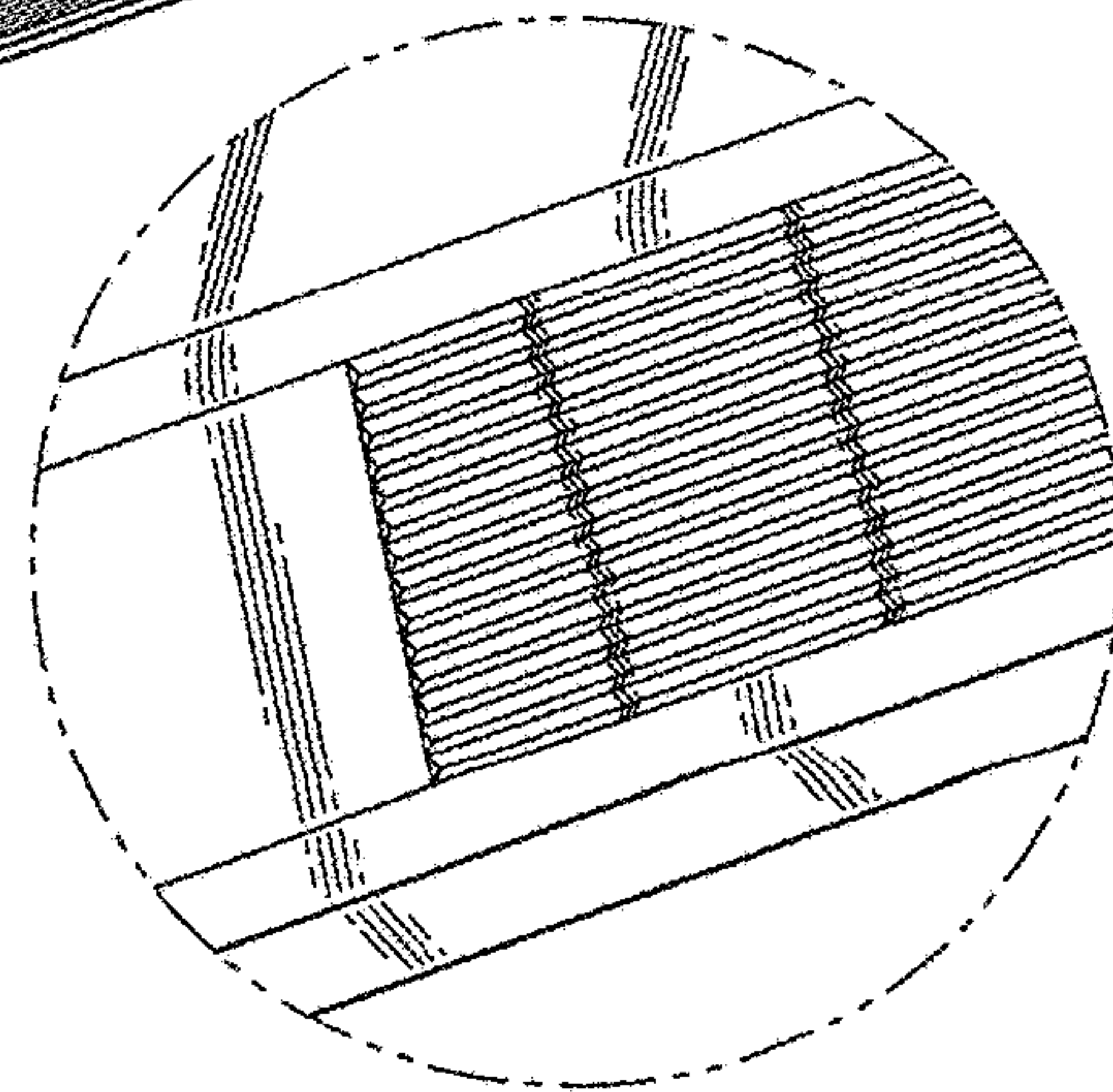


FIG. 14

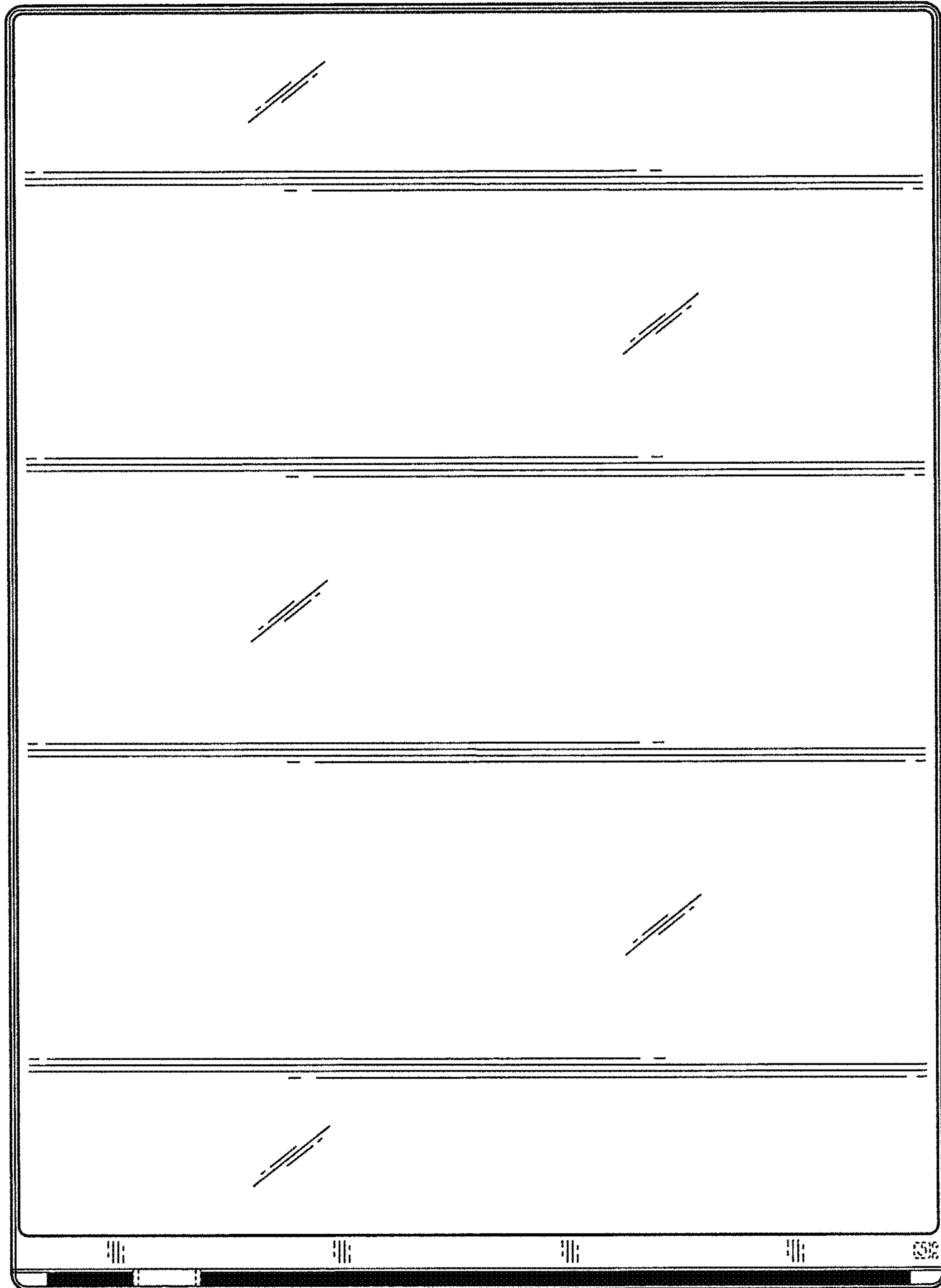


FIG. 15

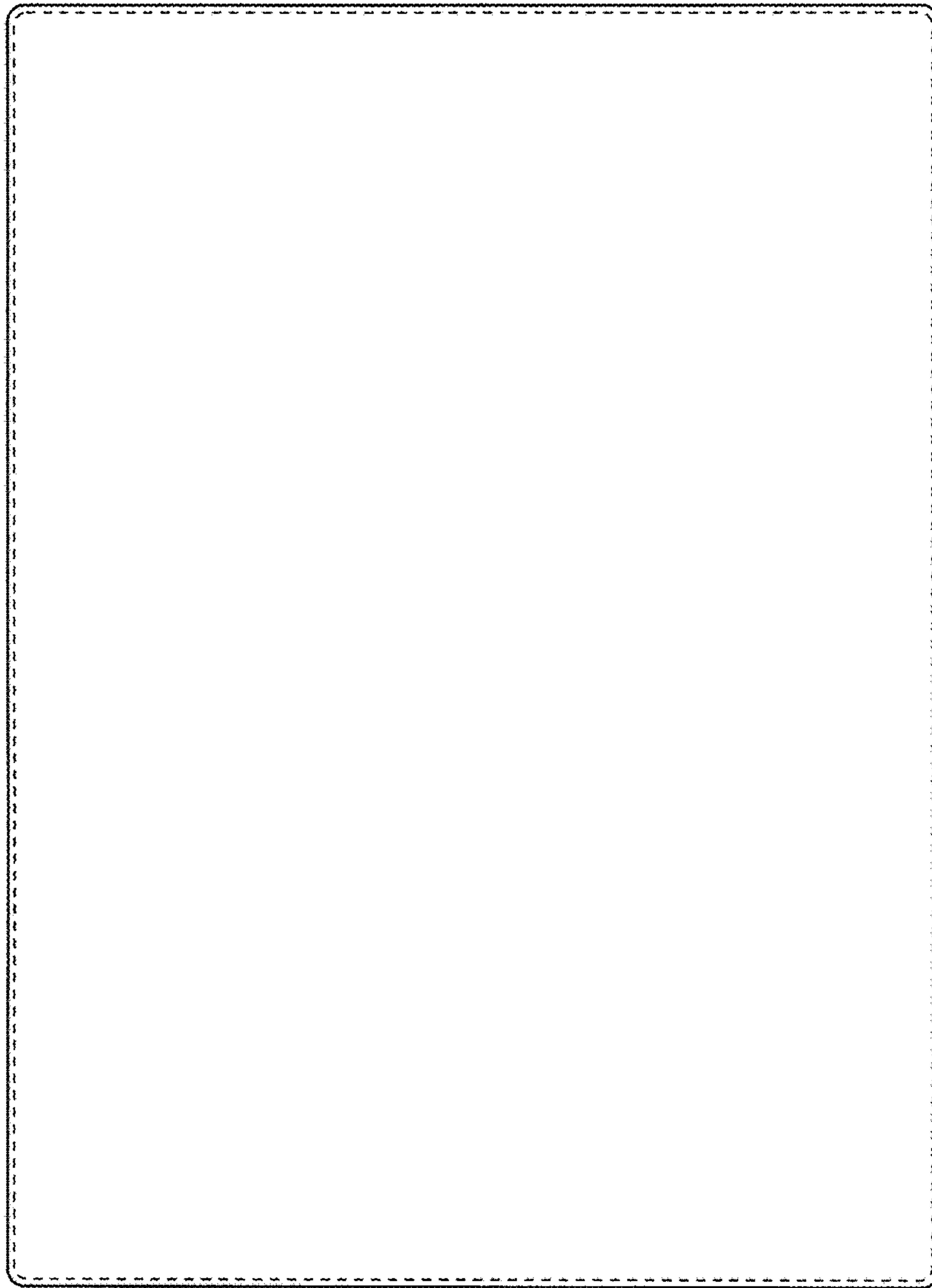


FIG. 16



FIG. 19



FIG. 17

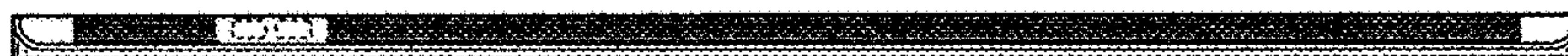


FIG. 18